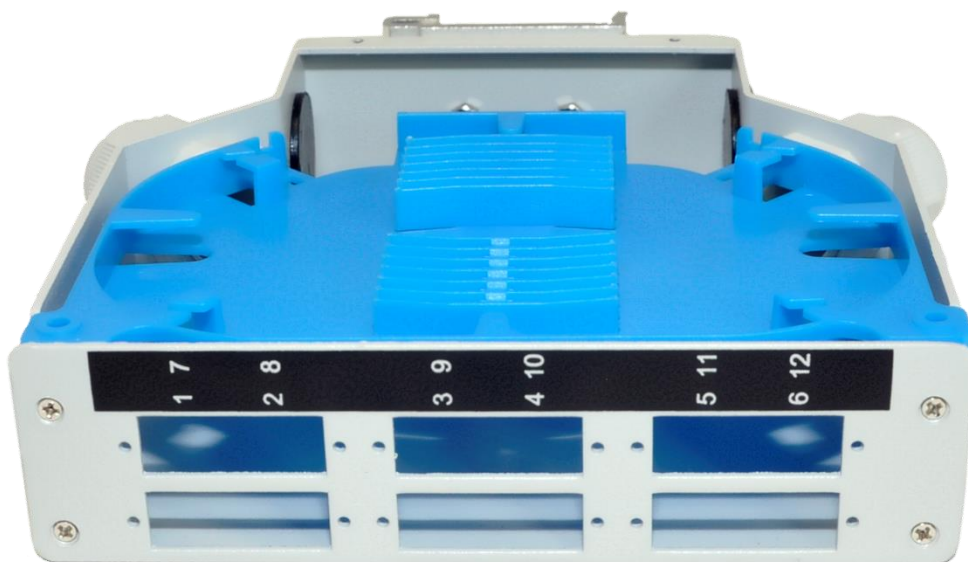


DIN rail distributor 015VU



015VU Mini enclosure's compact design gives it the ideal form factor for installation into densely populated industrial cabinets. The DIN locking clip can be attached to 3 different places, and the cable glands for cables from 6 to 12 mm in diameter to 4 different positions! Integrated hinged type splice cassette opens by 120 ° allowing easy access to the distribution part with adapters!

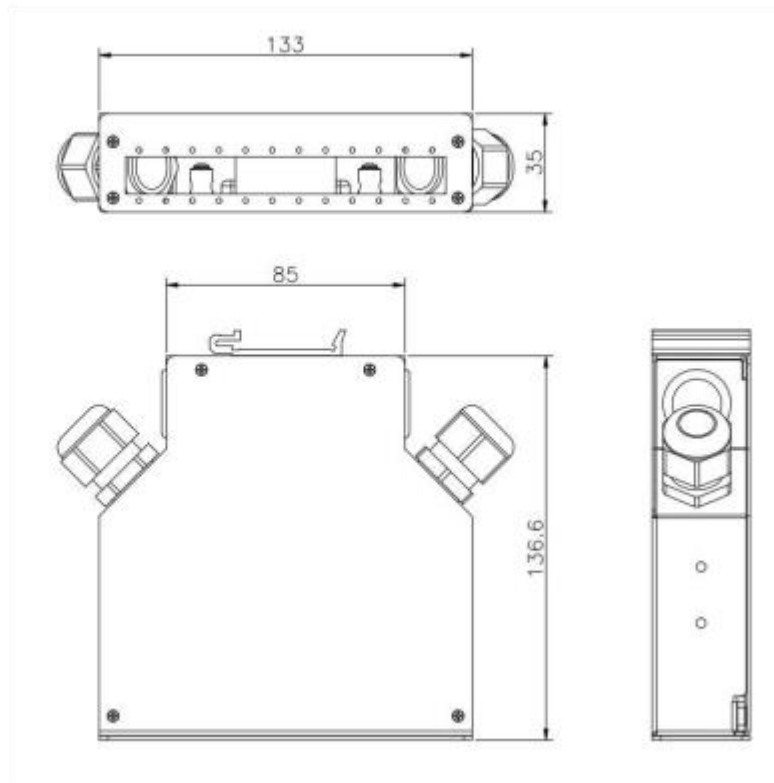
Features

- Reasonable design, aluminum box, light weight
- Electrostatic powder painting, grey or black color
- ABS plastic blue splice tray, rotatable design, compact structure
- Max. 24 fibers capacity
- FC, ST, LCQ, SCD ... different adapter port available
- DIN rail mounted application

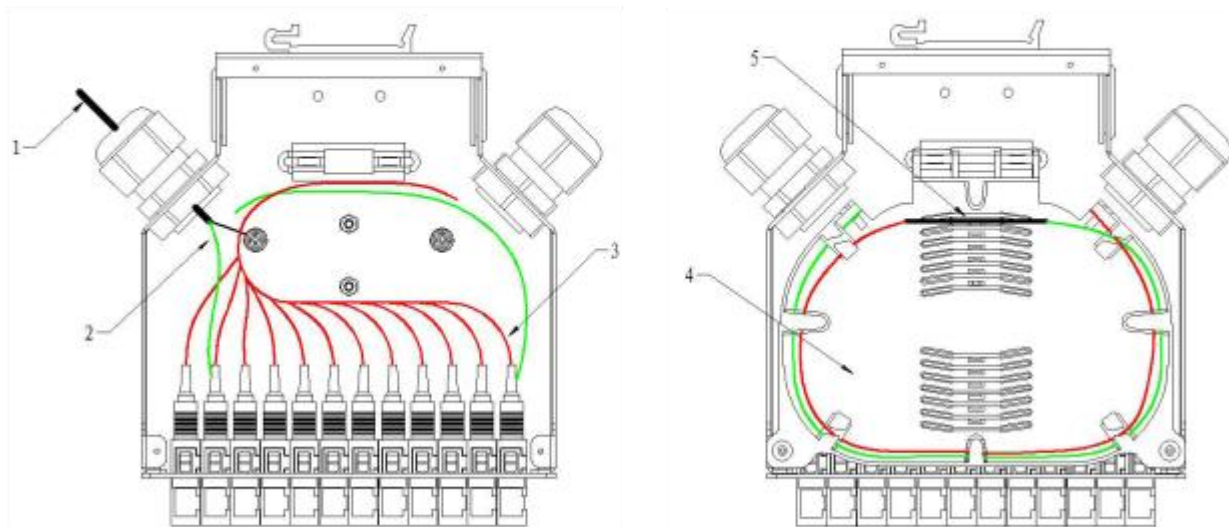
Specifications

Model	Dimension(mm)	Material	Adapter port	Splicing capacity	Cable port	Application
015VU	133x136.6x35	Aluminium	6 SC Duplex or 6 LC QUAD, optional plate for 8 ST/FC (015VZ) available	Max. 24 fibers	4 ports	DIN rail mounted

Drawings (mm)



Cable management drawings



1. Fiber optic cable 2. stripping out optical fiber 3. fiber optic pigtail
4. splice tray 5. heat shrinkable protection sleeve

Accessories

Kit includes Alu housing with 4 cable entries, front plate for 6 SCD/LCQ adapters, cover with an ID label for marking fibers, 2 rubber plugs for unused entries, hinged splice cassette for 24 splices with integrated 2 splice protector holders with double height, 2 cable glands M20, 2 strength member connectors, screws for mounting adapters, and DIN Rail clip.