

# SECOMP

**roline**<sup>®</sup>  
green

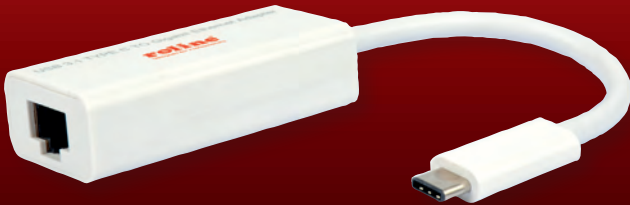
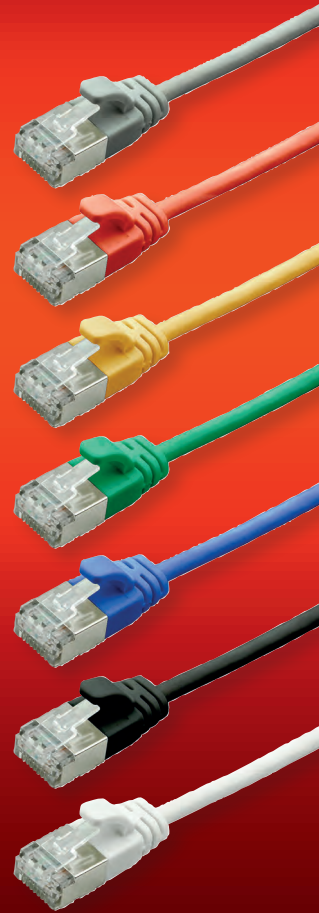


**roline**<sup>®</sup> GOLD

**roline**<sup>®</sup>  
recycled material 

**roline**<sup>®</sup>  
Designed for Professionals

**Value**<sup>®</sup>



IT-Accessories | Network Components | Office Equipment

[www.secomp-international.com](http://www.secomp-international.com)



## Your European Importer

### Offered benefits:

- **PROFESSIONAL PRODUCTS FOR PROFESSIONAL USERS**
- Packings with EAN-Code and 6-Language-Sticker
- Methodical Quality Inspections for all Products
- 2 Years Warranty for all ROLINE Products
- Free Marketing and Technical Support
- All Products available from Stock
- Bonded Warehouse
- Best Prices

### Brands:

ROLINE, ROLINE GOLD, VALUE and

ROLINE GREEN, ROLINE RM  
for an eco-friendly environment



### Our Administration Team



Leonarda Moccia  
Executive Assistant



Annalena Greulich  
Export Administration



Mathias Spörr  
Shipping Department

### Our Manager Team



José Horstman  
Export Manager



Stefan Petri  
Product Manager



Marius Sava  
Product Manager



ROLINA  
Our charming Mascot





# Valued Customer OUR Commitment to YOU!




## Product Selection


All products are acquired from established and experienced manufactures across the globe, which lead the way within the computer accessory industry.

To a large extent they are produced according to our internal specifications. Our products comply with all relevant technical requirements including the RoHS, REACH, WEEE & CE regulations.


## Quality Control

All our products are tested systematically according to DIN-ISO 2859 rules. They are tested under real working conditions, which shows confidence in the quality of product we supply to the trade. 


## On Stock

All catalogue products are on stock or will be available within a short period of time. 

## Competitive Price

High purchasing volume and long-term relationships with highly specialised manufactures gives you the advantage to buy always at competitive prices 'value for money'. 

## Service & Support

We provide assistance and guidance for technical questions & product enquiries against our entire Computer Accessory product portfolio. 

# roline<sup>®</sup>

Designed for Professionals

A Brand that you can trust!

ROLINE products are developed name for professional users and differ considerably in their quality from comparable products in the IT environment. Their high compatibility in combination with other devices is excellent. Ideally for use in industrial environment.

ROLINE branded products come with a 2-year warranty.

# roline<sup>®</sup> GOLD

High quality without any compromises!

To meet even the most demanding requirements, we have improved our PC and multimedia cables of our own brand ROLINE and launched our product line ROLINE GOLD already years ago in terms of shielding and contact safety in an even higher quality.

ROLINE GOLD products come with a 2-year warranty.

roline<sup>®</sup> recycled material  roline<sup>®</sup> green 

Environment-friendly!

ROLINE RM products are made from more than 50% recycled materials, so we can conserve additional natural resources, save energy and reduce the production of new material. Our commitment also concerns the packaging in which these environmentally responsible products are packed. ROLINE RM packaging is made from 100% recycled material, minimizing waste and underlining our engagement to responsible packaging.

ROLINE GREEN is a range of known ROLINE quality products marked only with a paper tag and build with TPE or LSOH material, without plastic bags and without plastic cable straps for use in eco-friendly environments.

ROLINE RM and ROLINE GREEN products come with a 2-year warranty.

# Value<sup>®</sup>

Best Value for Money!

Quality products and highly aggressive pricing makes the VALUE range ideally suited for Distribution Partners. All VALUE products are supplied with a 1-year warranty.

Quality and Service Performance

# CONTENTS - 11 product chapters providing easy selection.

# N

# NEW

## NEWSSHOP - New Products

|  |       |   |        |
|--|-------|---|--------|
| ROLINE DataCenter PatchCords .....               | New.2 | ROLINE Cable Adapter, Terminal Block .....  | New.10 |
| ROLINE Gigabit/Ethernet Converter .....          | New.3 | ROLINE HDMI Video Splitter, 8K60 .....      | New.11 |
| VALUE 19" Accessories (Support Frame) .....      | New.4 | ROLINE HDMI over IP Extender .....          | New.12 |
| ROLINE Fibre Optic Jumper Cables, OM4 /OS2 ..... | New.5 | VALUE HDMI Quad Multi Viewer 4x2 .....      | New.12 |
| VALUE KVM Extender via TP .....                  | New.6 | ROLINE Wireless Charging Stand .....        | New.13 |
| ROLINE Dual Head KVM .....                       | New.7 | VALUE Open Shelf Mobile Cabinet .....       | New.13 |
| ROLINE USB Data Blocker .....                    | New.8 | ROLINE universal Credit Card Terminal ..... | New.14 |
| ROLINE Thunderbolt™ 5 Cables, Passive .....      | New.9 | VALUE Pole mounted Storage Shelf .....      | New.14 |
| ROLINE / VALUE Type C - HDMI Adapter .....       | New.9 |   |        |

# 1



## Network Components / Cables

|  |                          |  |             |
|--|--------------------------|--|-------------|
| Fast- / Gigabit Ethernet Converter / Hub ..... | 1.02 - 1.03              | Modular Plugs, Couplers, Junction Boxes, Keystones ..... | 1.45 - 1.48 |
| Fast- / Gigabit Ethernet Switches .....        | 1.03 - 1.07              | Patch Cables Management .....                            | 1.56 - 1.65 |
| Media Converters .....                         | 1.04 - 1.05, 1.11 - 1.14 | Fibre Optic Jumper Cables .....                          | 1.66 - 1.74 |
| PoE Injectors / PoE Switches .....             | 1.05 - 1.09              | FO Cleaning Accessories .....                            | 1.75        |
| Industrial Networking .....                    | 1.10 - 1.14              | FO Adapter .....   | 1.76 - 1.77 |
| Installation Cables .....                      | 1.15 - 1.17              | MPO Cabling System .....                                 | 1.78        |
| TP Cables Overview .....                       | 1.18 - 1.19              | 19" LCD KVM Consoles .....                               | 1.79        |
| Patch Cords .....                              | 1.20 - 1.39              | 19" Wall Cabinets .....                                  | 1.80        |
| Patch Panels .....                             | 1.40 - 1.49              |  |             |
| Mount Boxes .....                              | 1.48 - 1.49              |  |             |

# 2



## Switchboxes / Hubs

|                                |             |                                    |             |
|--------------------------------|-------------|------------------------------------|-------------|
| 19" KVM Switches .....         | 2.02        | KVM HDMI Switches / Extender ..... | 2.05 - 2.08 |
| 19" LCD Consoles .....         | 2.02        | Manual USB Switches .....          | 2.09        |
| 19" LCD KVM Switches .....     | 2.02        | USB 2.0 / 3.2 Gen 1 / 2 Hubs ..... | 2.10 - 2.16 |
| "Star" KVM Switches .....      | 2.02 - 2.03 |                                    |             |
| 19" Desktop KVM Switches ..... | 2.03        |                                    |             |
| KVM HDMI Switches .....        | 2.04        |                                    |             |

# 3



## Computer Cables / Connectors / Adapters

|  |                                      |  |                   |
|--|--------------------------------------|--|-------------------|
| ROLINE - THE difference .....                  | 3.02 - 3.03                          | Adapters VGA/DVI/HDMI/DP .....                 | 3.52, 3.54 - 3.57 |
| USB Cables .....                               | 3.04 - 3.21, 3.34, 3.46 - 3.47       | USB Type C Display Adapters .....              | 3.55 - 3.56, 3.58 |
| USB Extenders .....                            | 3.09 - 3.13                          | Type C Audio Cables .....                      | 3.61 - 3.62       |
| 9-pole / 25-pole / Serial / -Link Cables ..... | 3.23                                 | Audio / Video Cables / Adapters .....          | 3.62 - 3.63       |
| Printer Cables, parallel .....                 | 3.23                                 | SATA Cables .....                              | 3.64 - 3.65       |
| Keyboard Cables PS/2 .....                     | 3.24                                 | Internal Power Cables .....                    | 3.66              |
| Monitor Connection Cables VGA .....            | 3.24 - 3.25                          | Power Cords .....                              | 3.67 - 3.69       |
| Monitor Connection Cables DVI .....            | 3.24 - 3.26, 3.48 - 3.49             | Telephone Cables / Accessories; Ferrites ..... | 3.70              |
| HDMI Cables .....                              | 3.26 - 3.30, 3.31, 3.33, 3.50 - 3.51 | Gender Changers .....                          | 3.22, 3.71        |
| DisplayPort Cables .....                       | 3.37 - 3.41, 3.32, 3.43 - 3.45       | Adapters / Converters .....                    | 3.72 - 3.76       |
| Thunderbolt Cables .....                       | 3.42                                 |  |                   |

# 4



## Peripheral Devices

|                           |             |                                     |             |
|---------------------------|-------------|-------------------------------------|-------------|
| I/O Cards .....           | 4.02 - 4.04 | Mounting Material .....             | 4.08        |
| Card Readers .....        | 4.05        | 19" Industrial Server Chassis ..... | 4.09 - 4.10 |
| HDD Docking Station ..... | 4.05        |                                     |             |
| HDD Enclosures .....      | 4.06 - 4.07 |                                     |             |
| Mouses .....              | 4.08        |                                     |             |
| Mouspads .....            | 4.08        |                                     |             |

# 5



## Mobile Computing

|  |             |                        |      |
|--|-------------|------------------------|------|
| Fast- / Gigabit Ethernet Converter / Hub ..... | 5.02        | USB Charger .....      | 5.20 |
| Sync- & Charging Adapters .....                | 5.03        | Charging Station ..... | 5.20 |
| Docking Stations Overview .....                | 5.04 - 5.07 | Security Locks .....   | 5.20 |
| Docking Stations .....                         | 5.08 - 5.16 |                        |      |
| Stand / Holder for Tablet .....                | 5.17        |                        |      |
| Wireless Charging .....                        | 5.19        |                        |      |

# 6



## Multimedia

|   |             |                                      |             |
|---|-------------|--------------------------------------|-------------|
| UHD HDMI / DP Active Cables .....       | 6.02 – 6.05 | HDMI Bi-Directional Switch .....     | 6.20 – 6.21 |
| Audio/Video Splitters .....             | 6.06 – 6.08 | DP / HDMI Emulator .....             | 6.22        |
| Wireless HDMI Audio/Video Systems ..... | 6.09 – 6.10 | Headsets .....                       | 6.22        |
| Audio/Video Extenders over TP .....     | 6.11 – 6.14 | Audio Extractor .....                | 6.23        |
| HDMI Repeater .....                     | 6.15        | Multimedia Audio/Video Modules ..... | 6.24        |
| Audio/Video Switches .....              | 6.16 – 6.17 | Audio Adapters / Converters .....    | 6.24        |
| HDMI Matrix Switches .....              | 6.17 – 6.20 |                                      |             |

# 7



## UPS Systems / Power Distribution

|                                |             |                                      |             |
|--------------------------------|-------------|--------------------------------------|-------------|
| Line-Interactive UPS .....     | 7.02 – 7.03 | PDU for Cabinets .....               | 7.12 – 7.14 |
| Online UPS .....               | 7.03        | IP Power Strip / Remote Switch ..... | 7.15        |
| EV Charging Cables .....       | 7.04 – 7.05 | Power Cords .....                    | 7.16 – 7.18 |
| Power Strips .....             | 7.06 – 7.09 |                                      |             |
| Universal Power Adapters ..... | 7.09        |                                      |             |
| USB Wall Mount Chargers .....  | 7.10 – 7.11 |                                      |             |
| USB Power Stations .....       | 7.12        |                                      |             |
| USB Car Chargers .....         | 7.12        |                                      |             |

# 8



## Test / Measurement / Tools

|                                     |             |   |             |
|-------------------------------------|-------------|---|-------------|
| Cable Testers / Network Tools ..... | 8.02 – 8.03 | Service Kits .....                            | 8.08 – 8.09 |
| Non-Contact Voltage Tester .....    | 8.02        | Cable Ties / Installation Tools / Clips ..... | 8.09        |
| HOBBS Products .....                | 8.02 – 8.04 | Cable Tunnel Organizers .....                 | 8.10        |
| Crimping Pliers / Tools .....       | 8.05 – 8.07 |   |             |
| Fiber Optic Cleaning Tools .....    | 8.07        |   |             |

# 9



## Office Equipment / Consumables

|                                      |             |                                 |                  |
|--------------------------------------|-------------|---------------------------------|------------------|
| Mouse Pads .....                     | 9.02        | Monitor Stand .....             | 9.22 – 9.23      |
| Wristrests .....                     | 9.02        | Clamp Mount Pegboard .....      | 9.24             |
| VESA Adapters .....                  | 9.03        | PC Workstations .....           | 9.23, 9.25, 9.27 |
| LCD Monitor Arms / Mounts .....      | 9.04 – 9.14 | Printer Tables .....            | 9.26             |
| Wall Mount Workstation .....         | 9.15        | Cleaning Sets .....             | 9.28             |
| Mobile PC Cart .....                 | 9.16 – 9.17 | Open Shelf Mobile Cabinet ..... | 9.28             |
| PC Holder .....                      | 9.16 – 9.19 |                                 |                  |
| Wall / Ceiling Projector Mount ..... | 9.19        |                                 |                  |
| Underdesk Mount for NUC/KVM .....    | 9.20        |                                 |                  |
| Cable Organizer .....                | 9.21        |                                 |                  |

# 10



## TV Holders / Furnitures

|                          |                              |                               |       |
|--------------------------|------------------------------|-------------------------------|-------|
| TV Wall Holders .....    | 10.02 – 10.04, 10.06 – 10.09 | Wall Cable Cover .....        | 10.15 |
| TV Ceiling Holders ..... | 10.05                        | Cable Box .....               | 10.15 |
| Digital Signage .....    | 10.10                        | Floor Cable Cover .....       | 10.15 |
| TV Mobile Cart .....     | 10.10 – 10.13                | Special Offer TV Holder ..... | 10.16 |
| Media Player Mount ..... | 10.14                        |                               |       |

# %



## SELLOFF - as long as we have stock

|   |      |                                   |      |
|---|------|-----------------------------------|------|
| ROLINE HDMI Active Cables .....                   | A.01 | VALUE Notebook Hub, USB2.0 .....  | A.03 |
| ROLINE Thunderbolt 3 Cables .....                 | A.01 | ROLINE Line Secure I/II UPS ..... | A.03 |
| ROLINE USB Type 8 Pin - 3.5mm Audio Adapter ..... | A.01 | VALUE Hexagon Socket Set .....    | A.03 |
| ROLINE Combi Cable, VGA + Audio .....             | A.01 |                                   |      |
| ROLINE Notebook HDMI + Ethernet Cables .....      | A.02 |                                   |      |
| VALUE USB Display Adapter, USB to VGA .....       | A.02 |                                   |      |

NEW

# NEWSSHOP – New Products

## ROLINE UTP DataCenter PatchCord Cat.6A (Cl. EA), LSOH, Slim, UltraShort Connector

DATA CENTER  
ProductCat. 6A  
Class EA

U/UTP

- Patch cable for networking connections between devices.
- Prepared unshielded Twisted Pair cable with RJ-45 connectors on both ends.
- Durable due to moulded kink protection.
- **Slim, flexible cable, suitable for narrow bending.**
- Contact settings 1:1, in accordance with the EIA/TIA 568 standard.
- Construction: 4-pair stranded copper wire.
- Colour: grey / black / white

Halogenfree  
Flame retardant  
Low Smoke

**roline**<sup>®</sup>  
Designed for Professionals



| Length | grey       | black      | white      | – P.U. |
|--------|------------|------------|------------|--------|
| 0.5 m  | 21.15.4400 | 21.15.4460 | 21.15.4470 | – 100  |
| 1 m    | 21.15.4401 | 21.15.4461 | 21.15.4471 | – 100  |
| 1.5 m  | 21.15.4404 | 21.15.4464 | 21.15.4474 | – 100  |
| 2 m    | 21.15.4402 | 21.15.4462 | 21.15.4472 | – 100  |
| 3 m    | 21.15.4403 | 21.15.4463 | 21.15.4473 | – 50   |
| 5 m    | 21.15.4405 | 21.15.4465 | 21.15.4475 | – 50   |

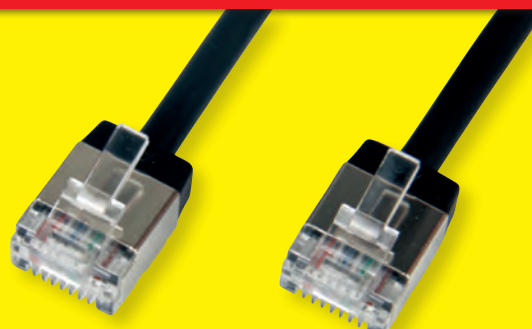
## ROLINE U/FTP DataCenter PatchCord Cat.6A (Cl.EA), LSOH, Slim, UltraShort Connector

DATA CENTER  
ProductCat. 6A  
Class EA

U/FTP

Category 6A twisted-pair patch cable with shielded RJ-45 connectors on both sides. Particularly thin and flexible cable with individual pairs of wires in aluminium-laminated foil for use in confined spaces, such as in data centres.

- Durable thanks to moulded-on kink protection
- Suitable as patch cable in patch panels or as device connection cable and intended for use in the LAN
- Contact assignment: 1:1 according to EIA/TIA568, 8 cores
- Structure: 8 cores stranded wire, pairs shielded with alu-laminated foil
- Elastic and very flexible thanks to TPE outer sheath- best properties for cable ducts and similar applications where not much space is available

Halogenfree  
Flame retardant  
Low Smoke

**roline**<sup>®</sup>  
Designed for Professionals



| Length | grey       | black      | white      | – P.U. |
|--------|------------|------------|------------|--------|
| 0.5 m  | 21.15.4500 | 21.15.4560 | 21.15.4570 | – 100  |
| 1 m    | 21.15.4501 | 21.15.4561 | 21.15.4571 | – 100  |
| 1.5 m  | 21.15.4504 | 21.15.4564 | 21.15.4574 | – 100  |
| 2 m    | 21.15.4502 | 21.15.4562 | 21.15.4572 | – 100  |
| 3 m    | 21.15.4503 | 21.15.4563 | 21.15.4573 | – 50   |
| 5 m    | 21.15.4505 | 21.15.4565 | 21.15.4575 | – 50   |

## ROLINE S/FTP Patch Cord Cat.6A / Class EA, Stranded, TPE, LSOH

DATA CENTER  
ProductCat. 6A  
Class EA

S/FTP

**Assembled double shielded (PiMF) twisted pair cable category 6A with shielded RJ-45 connectors on both sides. For connecting an IP camera.**

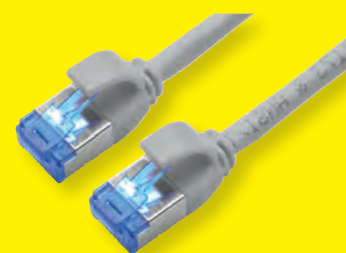
Patch cord for networking connections between devices in combination with application (e.g. connection to surveillance cameras)

- Prepared double shielded Twisted Pair cable with

screened RJ-45 connectors on both ends

- Durable due to moulded kink protection
- Suitable for PoE applications and multimedia applications where the extension is working over TP
- High quality plugs with gold plated contacts
- Contact settings 1:1, in accordance with the EIA/TIA 568 standard

- Construction: 4-pair stranded copper wire, complete braid shielding, pairs shielded with aluminium foil
- Tangle free

Halogenfree  
Flame retardant  
Low Smoke

**roline**<sup>®</sup>  
Designed for Professionals



|  | Order-No.  | – P.U. |
|--|------------|--------|
| ROLINE S/FTP Patch Cord Cat.6A / Class EA, Stranded, TPE, LSOH, tangle free, grey, 0.3 m | 21.15.4318 | – 100  |
| ROLINE S/FTP Patch Cord Cat.6A / Class EA, Stranded, TPE, LSOH, tangle free, grey, 0.5 m | 21.15.4310 | – 100  |
| ROLINE S/FTP Patch Cord Cat.6A / Class EA, Stranded, TPE, LSOH, tangle free, grey, 1 m   | 21.15.4311 | – 100  |
| ROLINE S/FTP Patch Cord Cat.6A / Class EA, Stranded, TPE, LSOH, tangle free, grey, 1.5 m | 21.15.4314 | – 100  |
| ROLINE S/FTP Patch Cord Cat.6A / Class EA, Stranded, TPE, LSOH, tangle free, grey, 2 m   | 21.15.4312 | – 100  |
| ROLINE S/FTP Patch Cord Cat.6A / Class EA, Stranded, TPE, LSOH, tangle free, grey, 3 m   | 21.15.4313 | – 50   |
| ROLINE S/FTP Patch Cord Cat.6A / Class EA, Stranded, TPE, LSOH, tangle free, grey, 5 m   | 21.15.4315 | – 50   |
| ROLINE S/FTP Patch Cord Cat.6A / Class EA, Stranded, TPE, LSOH, tangle free, grey, 7 m   | 21.15.4316 | – 40   |
| ROLINE S/FTP Patch Cord Cat.6A / Class EA, Stranded, TPE, LSOH, tangle free, grey, 10 m  | 21.15.4317 | – 40   |

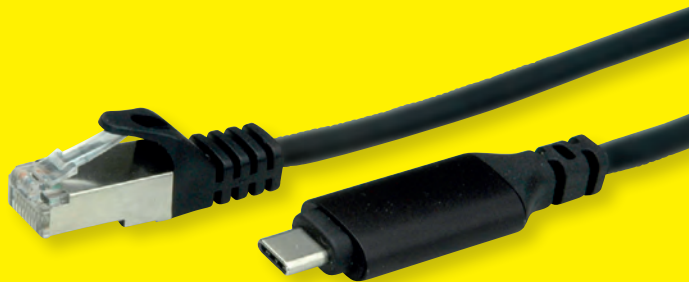


## ROLINE USB 3.2 Gen 2 to Gigabit Ethernet Cable Converter

With this converter you connect your PC or notebook with USB 3.1 / USB 3.2 Gen 2 Type C interface to a Gigabit Ethernet network.

This converter is a cost effective solution to convert a USB 3.1 / USB 3.2 Gen 2 port into

- a 10/100/1000Base-T Ethernet port
- Supports 10/100/1000 Mbit/s auto-sensing capability
- Supports USB 3.1 / USB 3.2 Gen 2
- Type C Connector
- Bus powered
- Supports both full-duplex and half-duplex operation in Gigabit Ethernet
- Supports Windows XP/Vista/7/8/10, Mac OS X
- Contents: Converter cable

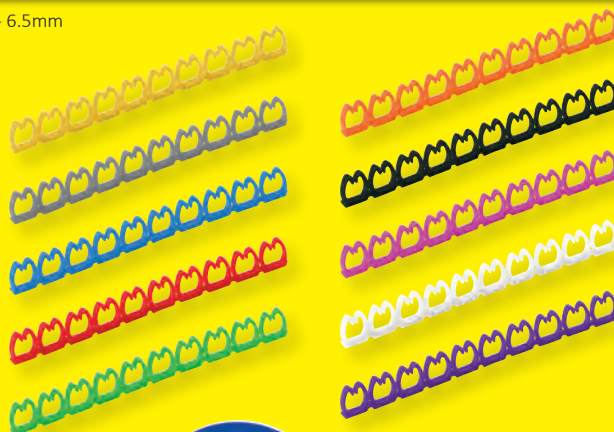
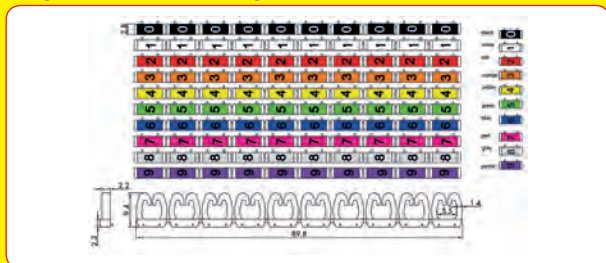


**roline**<sup>®</sup>  
Designed for Professionals

|   | Order-No.  | – P.U. |
|---|------------|--------|
| ROLINE USB 3.2 Gen 2 to Gigabit Ethernet CableConverter, 1m   | 12.02.1165 | – 10   |
| ROLINE USB 3.2 Gen 2 to Gigabit Ethernet CableConverter, 1.5m | 12.02.1166 | – 10   |
| ROLINE USB 3.2 Gen 2 to Gigabit Ethernet CableConverter, 2m   | 12.02.1167 | – 10   |
| ROLINE USB 3.2 Gen 2 to Gigabit Ethernet CableConverter, 3m   | 12.02.1168 | – 10   |
| ROLINE USB 3.2 Gen 2 to Gigabit Ethernet CableConverter, 5m   | 12.02.1169 | – 10   |

## VALUE Cable Marker Set for Patchcables

- Colored marking rings, for marking e.g. network cables with an outer diameter of 4-5.5mm / 5- 6.5mm
- 10 x 10 pieces (various colors)
- Cable identification with numbers from 0 to 9 for marking and differentiation
- Marking solution for cabling in industry, construction and trade
- Can be used for cable ducts and cable bundles
- Cable marking clips can also be used after cable installation
- Small pins and sockets allow the clips to be connected to each other
- Package unit 10 connectors / bag



**Value**<sup>®</sup>

|  | Order-No.  | – P.U. |
|--|------------|--------|
| VALUE Cable Marker Set for Patchcables, 10 pcs., 4 - 5.5mm | 25.99.5255 | – 20   |
| VALUE Cable Marker Set for Patchcables, 10 pcs., 5 - 6.5mm | 25.99.5256 | – 20   |

## ROLINE RJ-45 Modular Coupler, Cat.6A (Class EA), Shielded

Coupler for the connection or extension of RJ-45 network cables

- Shielded metal housing to safe the signals against electrical and magnetical interferences
- The coupler is able to extend Cat. 6A cables
- 8 contacts, 1:1 connected
- Colour: silver
- **REMARK: Picture shows 2 units**



|  | Order-No.  | – P.U. |
|--|------------|--------|
| ROLINE RJ-45 Modular Coupler, Cat.6A (Class EA), shielded, silver, metal housing | 21.17.3097 | – 10   |

**roline**<sup>®</sup>  
Designed for Professionals



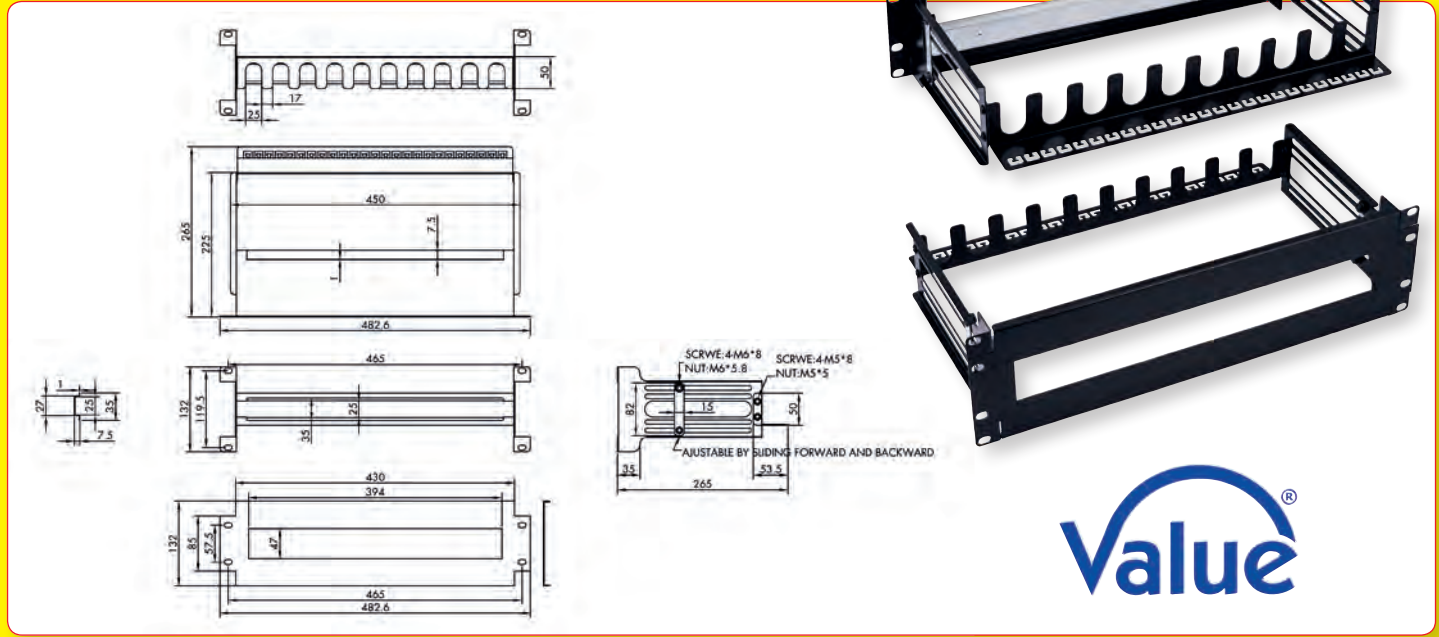
# NEWSSHOP – New Products

## VALUE 19" Support Frame for DIN Rail-Mounted Devices, 3U



### 19-inch Support frame for DIN Rail-Mounted Devices, 3U

- Frame for the installation/use of DIN rail-mounted electrical equipment e.g. network switches, media converters...
- With removable metal cover
- Cable management possibility at the rear side of the frame
- DIN-rail element can be used horizontally or vertically
- max. load capacity: 10 kg



Order-No. – P.U.

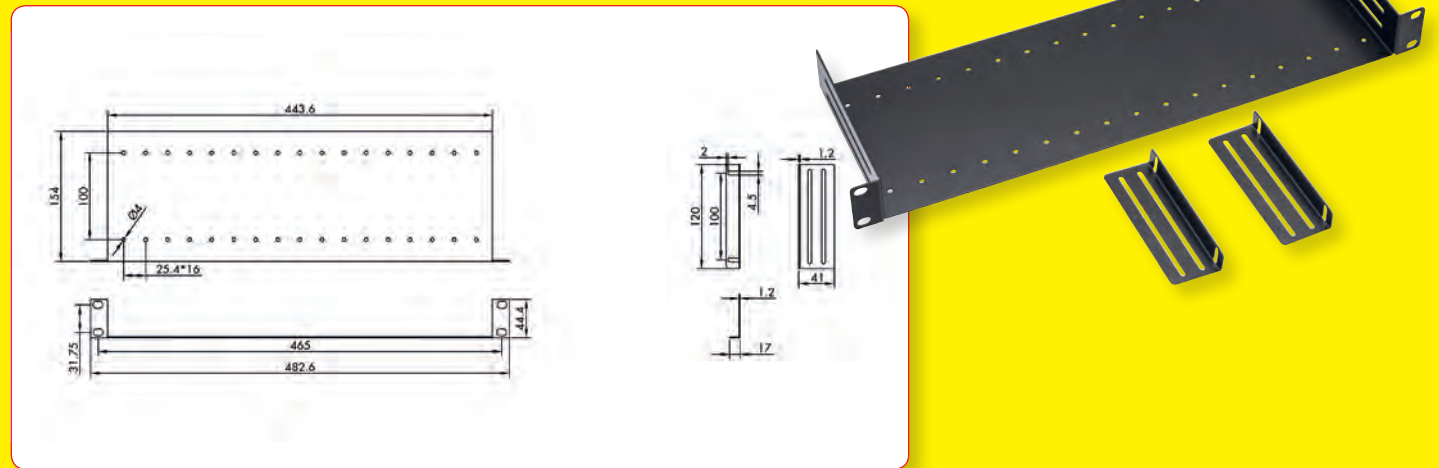
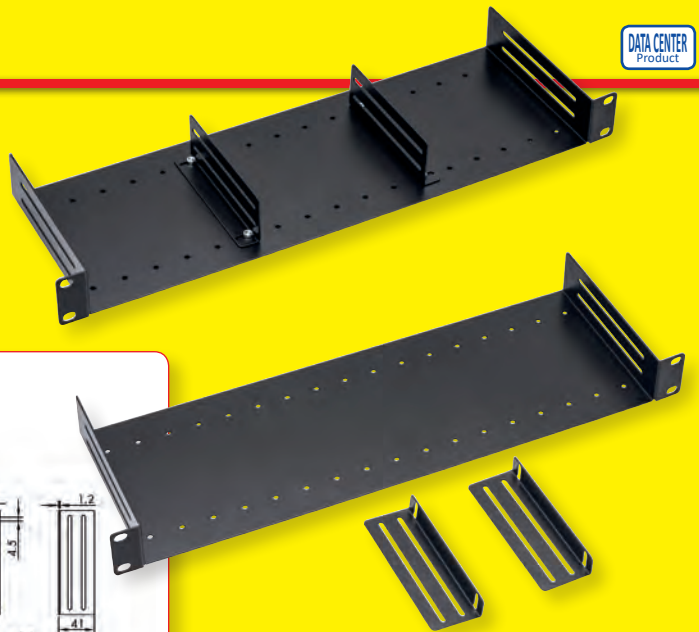
VALUE 19" Support Frame for DIN Rail-Mounted Devices, 3U, black 26.99.0340 – 5

## VALUE 19" Shelf Rack, 1U, with 2 adjustable dividers



### 19-inch Shelf Rack

- Suitable for Desktop Patch Panels, Switches, etc.
- max. load capacity: 10 kg
- 2 adjustable dividers included



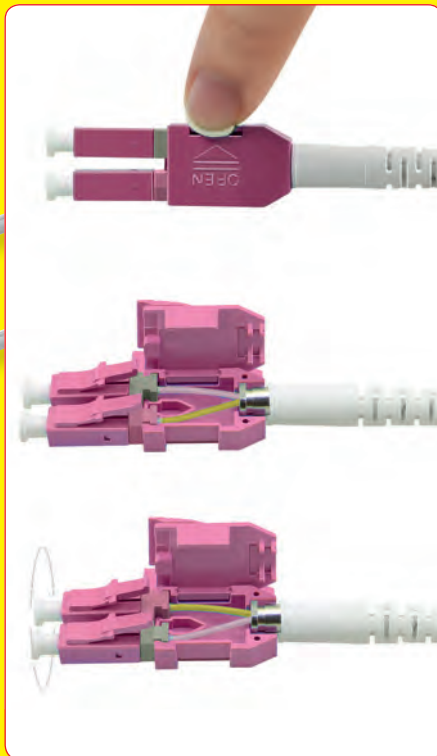
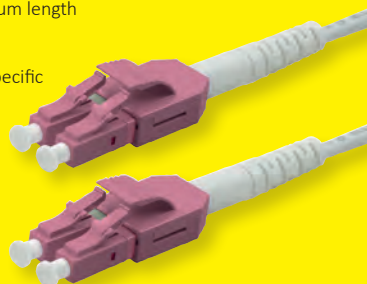
Order-No. – P.U.

VALUE 19" Shelf Rack, 1U, with 2 adjustable dividers 26.99.0341 – 5

## ROLINE FO Jumper Cable 50/125µm OM4, LC/LC, Data Center, UNIBOOT

ROLINE Fiber Optic Uniboot LSOH Patch Cord LC/LC in OM4 quality for high-performance fiber optic cabling in excellent ROLINE quality. A uniboot connector is ideal for a high-density environment. Compared to the conventional duplex connector, the design is more compact and only one cable is used for two lines, which enables usage in a high-density environment. Changing the fiber polarity is easily possible without special tools.

- Security for the future! The OM4 fiber and connector quality with very low insertion ensure an excellent quality at very high bandwidths.
- It supports 10 Gb/s Ethernet, Fibre Channel, and OIF applications to 550 meters, extends the system cost benefits to ultra long building backbones and medium length campus backbones.
- Material and clothing in ROLINE quality
- Modal Bandwidth: 4700 MHz-km (this bandwidth is based on application-specific implementation of the EMBC requirements)
- Duplex cables with fiber type Multi-mode 50/125µm, OM4
- Uniboot for high-density environments
- Fiber polarity can be changed easily without special tools



**roline**<sup>®</sup>  
Designed for Professionals

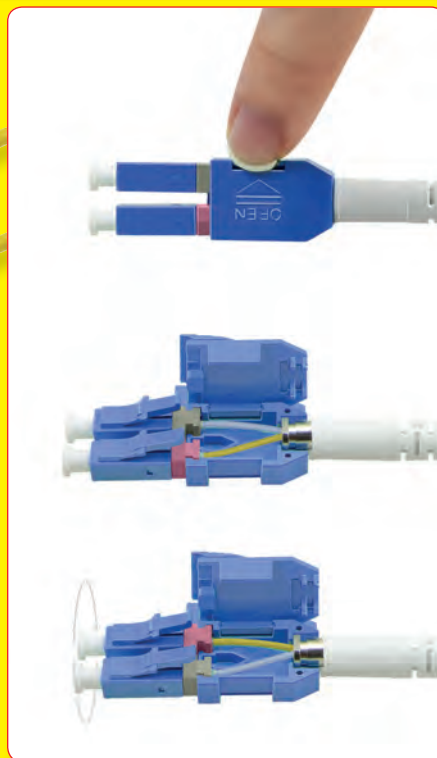
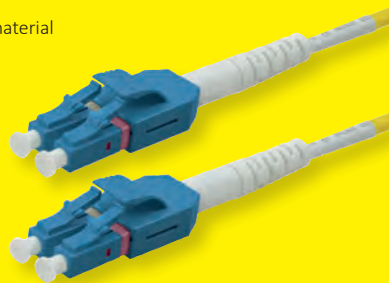
Halogenfree  
Flame retardant  
Low Smoke

|   | Order-No.  | – P.U. |
|---|------------|--------|
| ROLINE FO Jumper Cable 50/125µm OM4, LC/LC, Data Center, UNIBOOT, violet, 0.5 m | 21.15.8650 | – 20   |
| ROLINE FO Jumper Cable 50/125µm OM4, LC/LC, Data Center, UNIBOOT, violet, 1 m   | 21.15.8651 | – 10   |
| ROLINE FO Jumper Cable 50/125µm OM4, LC/LC, Data Center, UNIBOOT, violet, 2 m   | 21.15.8652 | – 10   |
| ROLINE FO Jumper Cable 50/125µm OM4, LC/LC, Data Center, UNIBOOT, violet, 3 m   | 21.15.8653 | – 10   |
| ROLINE FO Jumper Cable 50/125µm OM4, LC/LC, Data Center, UNIBOOT, violet, 5 m   | 21.15.8654 | – 5    |
| ROLINE FO Jumper Cable 50/125µm OM4, LC/LC, Data Center, UNIBOOT, violet, 7 m   | 21.15.8655 | – 5    |
| ROLINE FO Jumper Cable 50/125µm OM4, LC/LC, Data Center, UNIBOOT, violet, 10 m  | 21.15.8656 | – 5    |
| ROLINE FO Jumper Cable 50/125µm OM4, LC/LC, Data Center, UNIBOOT, violet, 15 m  | 21.15.8657 | – 5    |
| ROLINE FO Jumper Cable 50/125µm OM4, LC/LC, Data Center, UNIBOOT, violet, 20 m  | 21.15.8658 | – 5    |

## ROLINE Fibre Optic Jumper Cable duplex, 9/125µm, OS2, LC/LC, UNIBOOT

ROLINE Fiber Optic Uniboot LSOH Patch Cord LC/LC in OS2 quality. A uniboot connector is ideal for a high-density environment. Compared to the conventional duplex connector, the design is more compact and only one cable is used for two lines, which enables usage in a high-density environment. Changing the fiber polarity is easily possible without special tools.

- Cable sheathing made of halogen-free, low smoke and flame-retardant material
- Assembled with high-quality connectors with ceramic ferrule
- Core structure: Duplex cable I-VH
- High tensile strength due to aramid yarn strain relief
- Uniboot Patch Cord for high-density environments
- Fiber polarity can be changed easily without special tools



**roline**<sup>®</sup>  
Designed for Professionals

Halogenfree  
Flame retardant  
Low Smoke

|   | Order-No.  | – P.U. |
|---|------------|--------|
| ROLINE Fibre Optic Jumper Cable duplex, 9/125µm, OS2, LC/LC, UNIBOOT, yellow, 0.5 m | 21.15.8640 | – 20   |
| ROLINE Fibre Optic Jumper Cable duplex, 9/125µm, OS2, LC/LC, UNIBOOT, yellow, 1 m   | 21.15.8641 | – 10   |
| ROLINE Fibre Optic Jumper Cable duplex, 9/125µm, OS2, LC/LC, UNIBOOT, yellow, 2 m   | 21.15.8642 | – 10   |
| ROLINE Fibre Optic Jumper Cable duplex, 9/125µm, OS2, LC/LC, UNIBOOT, yellow, 3 m   | 21.15.8643 | – 10   |
| ROLINE Fibre Optic Jumper Cable duplex, 9/125µm, OS2, LC/LC, UNIBOOT, yellow, 5 m   | 21.15.8644 | – 5    |
| ROLINE Fibre Optic Jumper Cable duplex, 9/125µm, OS2, LC/LC, UNIBOOT, yellow, 7 m   | 21.15.8645 | – 5    |
| ROLINE Fibre Optic Jumper Cable duplex, 9/125µm, OS2, LC/LC, UNIBOOT, yellow, 10 m  | 21.15.8646 | – 5    |
| ROLINE Fibre Optic Jumper Cable duplex, 9/125µm, OS2, LC/LC, UNIBOOT, yellow, 15 m  | 21.15.8647 | – 5    |
| ROLINE Fibre Optic Jumper Cable duplex, 9/125µm, OS2, LC/LC, UNIBOOT, yellow, 20 m  | 21.15.8648 | – 5    |





# NEWS SHOP – New Products

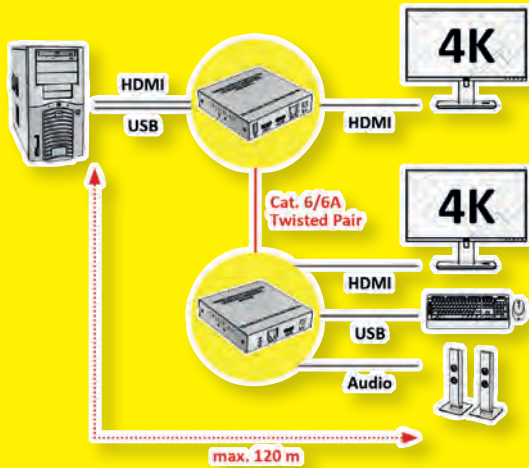
## VALUE KVM Extender over Cat.6/6A, HDMI, max. 120m

4K 2160p UHD-1

This product is a 4K@60Hz HDMI KVM extender kit consisting of a transmitter and a receiver, using ipicolor STREAM technology for high-definition, low-latency transmission. Supports HDMI loop out, KVM, and RS-232 passthrough, and can be used in meetings, home entertainment, educational presentations, etc...

- Adopting ipicolor STREAM technology you can realize high-definition and low-latency transmission
- Support up to 3840 x 2160@60Hz resolution, backwards compatible
- Transmission distance up to 120 meters, with Cat.6/6A or above network cables
- Support one-to-one or one-to-many connections through the gigabit switch
- Support RS-232 passthrough
- The transmitter supports HDMI loop out
- Support KVM control signal passback
- The transmitter has a 3.5 mm audio input for sound embedding, the receiver has an independent 3.5 mm audio output
- Stable, metal housing

- Power supplied
- Receiver (RX) unit connectors: 1x HDMI; 1x RJ-45 jack, 2x USB A F, 1x USB Micro B F, 1x 3.5mm audio jack
- Transmitter (TX) unit connectors: 2x HDMI; 1x RJ-45 jack, 1x USB A F, 1x USB Micro B F, 1x 3.5mm audio jack



Order-No. – P.U.

VALUE KVM Extender over Cat.6/6A, HDMI, max. 120m

14.99.3044 – 1

## VALUE KVM Extender over Cat.6/6A, HDMI 4K30, max. 40m

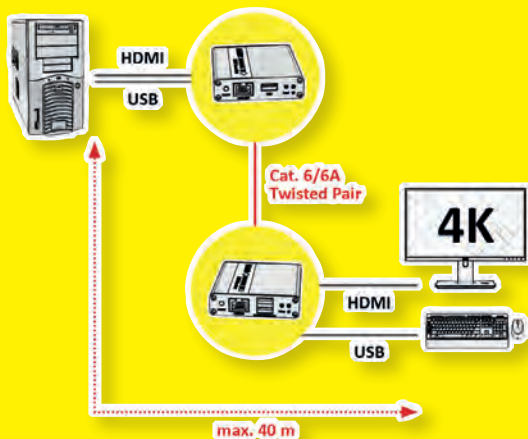
4K 2160p UHD-1

This HDMI KVM Extender includes a transmitter and a receiver and allows the HDMI signal to be transmitted up to 70 meters at 1080p resolution using Cat6/6A network cables. Suitable for outdoor advertising, monitor system, home entertainment, conferences, etc.

KVM extension over up to 40 m through the Cat.6/6A connection (4K30Hz)

- Zero latency
- Point-to-point connection configuration
- Support up to 4K@30Hz resolution
- Support 1080p@60Hz transmission distance up to 70m, 4K@30Hz up to 40m, by using Cat.6/6A network cables
- Support KVM functionality
- Support HDR10
- Support PoC network cable power supply, only TX power supply is needed
- Automatically adjusts parameters to match different network cables and achieve the best display performance

- Plug & Play
- Receiver (RX) unit connectors: 1x HDMI; 1x RJ-45 jack, 2x USB A F
- Transmitter (TX) unit connectors: 1x HDMI; 1x RJ-45 jack, 1x USB A F
- Contents: Transmitter unit, receiver unit, power supply, manual



Order-No. – P.U.

VALUE KVM Extender over Cat.6/6A, HDMI 4K30, max. 40m

14.99.3043 – 4



## ROLINE Dual Head KVM Switch, 1 User - 2 PCs, DP/HDMI, Audio

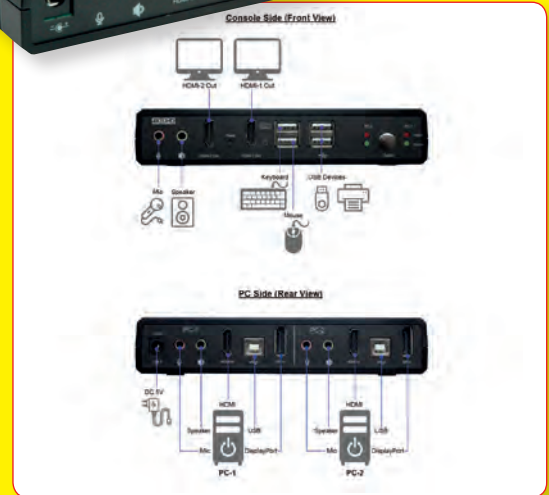
The 2-Port 4K Dual Head HDMI/DP KVM Switch allows the control of two computers with 4K dual HDMI video output via a single console set of USB keyboard/mouse/hub, microphone, speaker and display. Has built-in USB 2.0 compliant and 3.5mm mini stereo ports, which allows the sharing of USB keyboard/mouse/hub, speaker and microphone among the connected computers.

- Support video resolution up to Ultra HD 4K/ 60Hz, 3840x2160@60Hz 4:4:4
- One USB console controls two PC sources
- Support Dual-monitor, DisplayPort-in / HDMI-in ( PC side) and HDMI-out (Console side)
- Displayport 1.2 and HDCP 2.2 compliant
- Human Interface Devices (HID) x 2 for Keyboard/Mouse, and USB 2.0 Hub x 2 for peripherals sharing
- Audio/Microphone enabled
- Selection switching ways: pushbutton and keyboard hotkeys
- LED status
- Instant switching interval
- No software needed
- Easy to install- no software required
- Hot-pluggable
- Supported Operating Systems: Windows, Mac

**Console Port:**  
 2x HDMI female for video output  
 2x USB Type A female for HID devices  
 2x USB Type A female for USB2.0 hub  
 2x 3.5-mm audio phone jack

**PC Port:**  
 2x HDMI female for video input  
 2x DisplayPort female for video input  
 2x USB Type B female  
 4x 3.5-mm audio phone jack

**Other:** 2.1-mm barrel plug for power  
 • Contents: Switch, power supply, manual



**roline**<sup>®</sup>  
 Designed for Professionals

Order-No. – P.U.

ROLINE Dual Head KVM Switch, 1 User - 2 PCs, DP/HDMI, Audio 14.01.3047 – 1

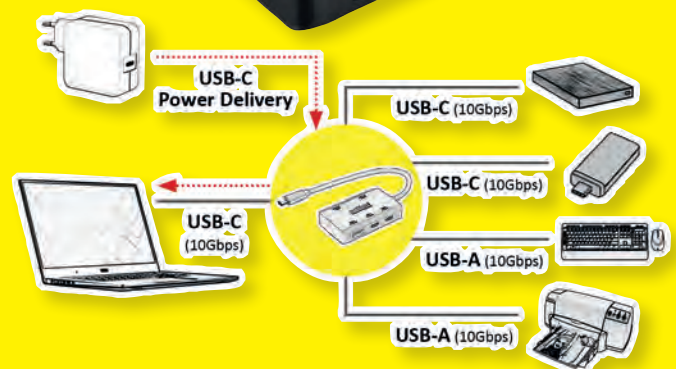
## ROLINE USB 3.2 Gen2 Hub, 4 Ports (2x A + 2x C), +PD (100W)

The hub with USB C connection cable allows the connection of up to four USB peripherals.

- 4x USB ports
- 2x port USB3.2Gen2 type A Female 10Gbps
- 2x port USB3.2Gen2 type C Female 10Gbps
- Supports PD (Power Delivery) 100W
- Full compliance with USB 2.0 / 1.1 specification
- Plug & play, no additional drivers required
- USB Bus powered
- Housing dimensions: 70 x 46 x 15 mm
- Connectors: 1x USB Type C Male and 2x USB Type A + 2x USB Type C Female
- Supports Windows XP / 7 / 8 / 10

Note: According to the current specifications of USB.org we have adapted the technical data of our USB 3 products. The new designation for the already known USB specifications has been changed to USB 3.2 Gen 1 (formerly USB 3.0 / USB 3.1 Gen 1) and USB 3.2 Gen 2 (formerly USB 3.1 / USB 3.1 Gen 2).

• Contents: hub



**roline**<sup>®</sup>  
 Designed for Professionals

Order-No. – P.U.

ROLINE USB 3.2 Gen2 Hub, 4 Ports (2x A + 2x C), +PD (100W), 14.02.5060 – 10



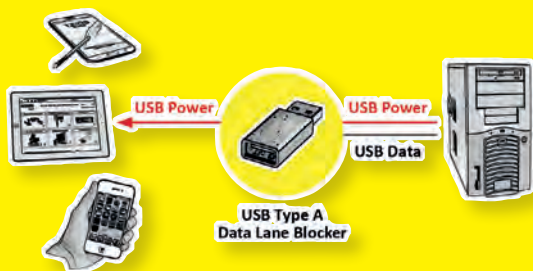
# NEWS SHOP – New Products

## ROLINE USB Data Lane Blocker, A+C

The USB Type A+C Port Blocker blocks the data lanes of the used USB port and thus protects your end device from unwanted access or malware - nothing but power is transmitted. The solution is especially useful in foreign environments where USB sockets can be manipulated or hijacked comparatively easily, such as in hotels, or anchorage points like airports or train stations.

- Eliminates the risk of becoming the target of attacks via foreign USB sockets and reduces the risk of malware / malicious software being transferred to the device
- Suitable for IT equipment in any hotel, office or public environment such as schools, museums, trade fairs or other places
- Ideally suited for anchor points such as airports and railway stations
- Does not cause conflict with the existing IT infrastructure
- Prevents data exchange by blocking the data lanes - only power is transmitted to your end device

- Safe charging without complications
- Contents: 1x USB Data Blocker Cable



Order-No. – P.U.

11.02.8349 – 10

ROLINE USB Data Lane Blocker, A+C

**roline**<sup>®</sup>  
Designed for Professionals

## ROLINE USB2.0 Retractable Cable Type C, 60W, C-C, M/M

- High quality USB 2.0 cable with improved shielding
- With the reversible Type C connectors at both ends
- Gold-plated contacts for low wear at high plugging cycles
- Suitable for data transfer rates of up to 480 Mbit/s
- Supports USB Power Delivery to 20V / 3A



Order-No. – P.U.

ROLINE USB2.0 Retractable Cable Type C, 60W, C-C, M/M, black, 1.2 m

11.02.8420 – 10

**roline**<sup>®</sup>  
Designed for Professionals

## ROLINE USB 3.2 Gen 2 Silicone Cable, Emark, C-A

10Gbit/s

ROLINE USB 3.1 / USB 3.2 Gen 2 silicone cable with data transfer rates of up to 10 Gbit/s. The silicone-sheathed flat cable not only looks great, but also allows extremely flexible use thanks to its small bending radius.

- USB 3.1 / USB 3.2 Gen 2 cable in high quality
- With USB type C / A connectors
- Suitable for data transfer rates of up to 10 Gbit/s
- Rugged aluminum plugs and a flexible, flat silicone cable for optimal durability
- Colour: black



Note: According to the current specifications of USB.org we have adapted the technical data of our USB 3 products. The new designation for the already known USB specifications has been changed to USB 3.2 Gen 1 (formerly USB 3.0 / USB 3.1 Gen 1) and USB 3.2 Gen 2 (formerly USB 3.1 / USB 3.1 Gen 2).

Order-No. – P.U.

ROLINE USB 3.2 Gen 2 Silicone Cable, Emark, C-A, M/F, black, 11 cm 11.02.9016 – 20

ROLINE USB 3.2 Gen 2 Silicone Cable, Emark, C-A, M/M, black, 11 cm 11.02.9017 – 20

**roline**<sup>®</sup>  
Designed for Professionals

## VALUE Type C - HDMI Adapter, 4K30

Connect your Macbook, Ultrabook, Notebook/Laptop or PC with USB Type C interface to an HDMI display or projector - with a maximum resolution of up to 3840x2160 @30Hz! Charge your device simultaneously over PD (Power Delivery) and connect an additional peripheral or other device like a SSD to the additional USB Type A Port.

- USB 3.1 / USB 3.2 Gen 2 Type C to HDMI adapter for MacBook, Ultrabook, Notebook/Laptop or PC
- Mirror or extend the display of your device to any HDMI monitor or projector
- Maximum resolution: 3840x2160 @30Hz
- No additional power supply required
- USB Type C PD: Power Delivery Function for charging of devices via the additional Type C connection
- Connectors: HDMI Female and Type C Male; additionally, 1x USB 3.0 / USB 3.2 Gen 1 Type A and 1x USB Type C PD
- Cable length: ca. 12 cm

Remark: Support of „Alternate Mode (DP Alt Mode)“ required

Note: According to the current specifications of USB.org we have adapted the technical data of our USB 3 products. The new designation for the already known USB specifications has been changed to USB 3.2 Gen 1 (formerly USB 3.0 / USB 3.1 Gen 1) and USB 3.2 Gen 2 (formerly USB 3.1 / USB 3.1 Gen 2).

• Contents: Adapter



Order-No. – P.U.

VALUE Type C - HDMI Adapter, M/F, 1x USB 3.2 Gen 1 A, 1x Type C (Power Delivery), 4K30

12.99.3199 – 10

## ROLINE Type C - HDMI Adapter, 4K60

Connect your Macbook, Ultrabook, Notebook/Laptop or PC with USB Type C interface to an HDMI display or projector - with a maximum resolution of up to 3840x2160 @60Hz! Charge your device simultaneously over PD (Power Delivery) and connect an additional peripheral or other device like a SSD to the additional USB Type A Port.

- USB 3.1 / USB 3.2 Gen 2 Type C to HDMI adapter for MacBook, Ultrabook, Notebook/Laptop or PC
- Mirror or extend the display of your device to any HDMI monitor or projector
- Maximum resolution: 3840x2160 @60Hz
- No additional power supply required
- USB Type C PD: Power Delivery Function for charging of devices via the additional Type C connection
- Connectors: HDMI Female and Type C Male; additionally, 1x USB 3.0 / USB 3.2 Gen 1 Type A and 1x USB Type C PD
- Cable length: ca. 12 cm

Remark: Support of „Alternate Mode (DP Alt Mode)“ required

Note: According to the current specifications of USB.org we have adapted the technical data of our USB 3 products. The new designation for the already known USB specifications has been changed to USB 3.2 Gen 1 (formerly USB 3.0 / USB 3.1 Gen 1) and USB 3.2 Gen 2 (formerly USB 3.1 / USB 3.1 Gen 2).

• Contents: Adapter



**roline**<sup>®</sup>  
Designed for Professionals

Order-No. – P.U.

ROLINE Type C - HDMI Adapter, M/F, 1x USB 3.2 Gen 1 A, 1x Type C (Power Delivery), 4K60

12.03.3199 – 10

## ROLINE Thunderbolt™ 5 Cable, 80Gbit/s, 240W, C-C, Passive

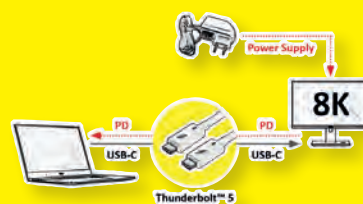
8K 4320p

Thunderbolt 4 cables with the USB Type C connector offer you the currently highest possible data transfer rate of up to 80Gbit/s and full Power Delivery support (PD up to 240W)! The cables also feature DP mode for particularly high-resolution image and sound transmission of up to 7680x4320 @60Hz (8K).

- Thunderbolt 5 protocols allow maximum data transfer rates of up to 80Gbit/s and Bandwidth Boost with 120Gbit/s in asynchronous mode
- Display support is up to 3 x 4K@144 Hz or dual 8K @60 Hz
- DP mode for connecting a monitor with USB Type C / Thunderbolt 5 connector, with a maximum resolution of 7680x4320 @60Hz (8K)

- Supports USB Power Delivery up to 240W, for powering your Macbook, Ultrabook or notebook/laptop
- High-quality cable with improved shielding
- With reversible USB type C connector at both ends
- Gold plated contacts for low wear at high mating cycles
- Colour: black

Thunderbolt and the Thunderbolt logo are trademarks of Intel Corporation in the U.S. and/or other countries.



Order-No. – P.U.

ROLINE Thunderbolt™ 5 Cable, 80Gbit/s, 240W, C-C, M/M, passive, black, 0.5 m

11.02.9110 – 10

ROLINE Thunderbolt™ 5 Cable, 80Gbit/s, 240W, C-C, M/M, passive, black, 0.8 m

11.02.9111 – 10

ROLINE Thunderbolt™ 5 Cable, 80Gbit/s, 240W, C-C, M/M, passive, black, 1 m

11.02.9112 – 10

**roline**<sup>®</sup>  
Designed for Professionals







# NEWS SHOP – New Products

## ROLINE Cable Adapter RJ45 / USB Type C → Terminal Block Adapter, Push Button

This adapter cable can be used to extend/connect various network devices. Cables with stripped ends can be connected without tools via the terminal block with push-button.

The USB 2.0 adapter cable can be used to connect various USB type C devices. The stripped cable ends can be connected to the push-button connection block without tools.

**Connections:**

- 1 x RJ45 plug / jack
- 1 x 8-pin terminal block
- Pin assignment: 1:1
- Shielded (STP)
- Color: black / green / orange

**Connections:**

- 1 x USB type C plug
- 1 x 5 pin terminal block
- Color: black / green / orange



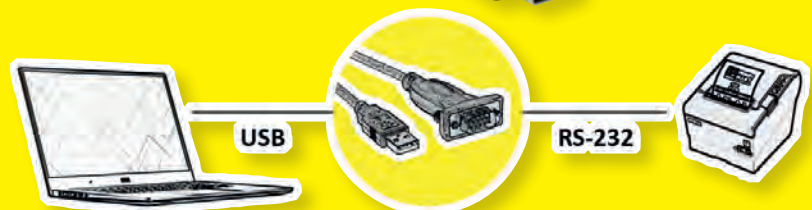
**roline**<sup>®</sup>  
Designed for Professionals

|   | Order-No.  | - | P.U. |
|---|------------|---|------|
| ROLINE Cable adapter RJ45 plug > terminal block, push-button, 15 cm                                 | 12.02.1171 | - | 10   |
| ROLINE Cable adapter RJ45 female > terminal block, push-button, 15 cm                               | 12.02.1172 | - | 10   |
|   | Order-No.  | - | P.U. |
| ROLINE Cable adapter USB Type-C Cable to Terminal Block Adapter, C (M) - 5 Pin (push button), 15 cm | 12.02.1173 | - | 10   |

## ROLINE Converter Cable USB to Serial, FTDI Chipset

With this converter you can easily connect peripheral devices, such as analogue and ISDN modems, digital cameras and handheld computers, which have a serial interface to an USB environment

- Easy installation
- True plug & play
- Supports automatic handshake mode
- Supports remote wake up and power management
- Needs no interrupt (IRQ)
- Length: 1.8 m
- FTDI Chipset
- Supported operating systems: Windows 98SE/ME/2000/XP/7/8 /10
- Contents: Converter cable, driver CD, manual



**roline**<sup>®</sup>  
Designed for Professionals

|   | Order-No.  | - | P.U. |
|---|------------|---|------|
| ROLINE Converter Cable USB to Serial, FTDI chipset, 1.8 m | 12.02.1170 | - | 10   |



## ROLINE HDMI Video Splitter, 8K, 2x

8K

4320p

HDMI splitter for connecting up to two HDMI capable end devices (monitor, projector, etc) with 8K resolution (at 60 Hz)

- For use in presentations or for training purposes
- Maximum resolution: 7680 x 4320 @60Hz
- Support full 3D video format
- Support high definition resolution 8K@60Hz 4:4:4, 4K@120Hz and 1080P@240Hz
- HDCP 2.3/2.2/1.4 compliant
- Support uncompressed audio such as LPCM
- Support compressed audio such as DTS, Dolby Digital (including DTS-HD Master Audio™ and Dolby TrueHD)
- Support High Dynamic Range (HDR) video pass-through, such as HDR10/HDR10+/Dolby vision etc.
- Power supply via USB cable (Type A-C) (included)
- Contents: Splitter, USB cable (Type A-C)



**roline**<sup>®</sup>  
Designed for Professionals



### Connection Diagram



Order-No. – P.U.

ROLINE HDMI Video Splitter, 8K, 2x

14.01.3558 – 2

## ROLINE HDMI 1x2 Extender/Splitter via Cat.6A, 70m, 4K60Hz

4K

2160p  
ULTRA HD

The HDMI™ 1x2 Splitter extender is an ideal device for local displaying and remote viewing. It combines split function and extension function. It distributes the input of the HDMI™ signal into the local and remote outputs simultaneously, perfect for point-to-point digital signage applications that require high quality HDMI™ video up to 4K@60Hz 4:4:4. It also works to extend Infrared IR signals from remote controls, ideal for controlling your video source from your video destination.

Suitable for advertising, studios, multimedia classrooms, etc.

- Support high resolution up to 4K@60Hz YUV 4:4:4 at 70 meters.
- Support HDCP 2.2 and HDCP 1.4.
- Support High Dynamic Range (HDR) video.
- Support EDID and HDCP bypass.
- Support highest data transfer rate up to 6.0Gbps per channel (18Gbps all channels).
- TMDS clock can be up to 600MHz
- Support 12bit per channel (36bit all channels) deep color.
- Support uncompressed audio such as LPCM.
- Support compressed audio such as DTS, Dolby Digital.
- Supports single ended power supply feature, 12V power transmitted from sender to receiver
- Stable metal casing
- Dimensions: TX/RX: 101 x 89 x 23mm
- Power supply included in delivery
- Contents: Transmitter, Receiver, power supply (RX: 1x 12 VDC, 1A), manual  
Transmitter (TX): 1x HDMI IN, 1x HDMI LOOP OUT, 1x RJ-45, 1x IR OUT  
Receiver (RX): 1x HDMI OUT, 1x RJ-45, 1x IR IN



**roline**<sup>®</sup>  
Designed for Professionals



Order-No. – P.U.

ROLINE HDMI 1x2 Extender/Splitter via Cat.6A, 70m, 4K60Hz

14.01.3643 – 2



# NEWSSHOP – New Products

## ROLINE HDMI over IP Extender 4K30Hz Rx+Tx, 120m, W/IR

4K 2160p

HDMI video extender via IP and twisted pair cable up to 120 meters at up to 4K 30Hz

Suitable for advertising, studios, multimedia classrooms, etc.

- Following TCP/IP standard
- Supports resolution up to 480p/720p/1080i/1080p/4K@30Hz at 120m
- Supports max video bandwidth to 3.4Gbps/340MHz per channel (10.2Gbps all channels)
- CAT5e/6 cable follows the standard of IEEE-568B
- Features IR return which enables you to control the video source from your video destination
- Features simple mode (1:1) and allocation mode (1:N)

- Max. supported resolution: 4K30Hz
- Stable metal casing
- Dimensions: TX/RX: 120x95x24mm
- Power supply included in delivery

- Contents: 1x Transmitter, 1x Receiver, 2x power supply (TX: 1x 5 VDC, 1A, RX: 1x 5VDC, 1A), manual

# roline

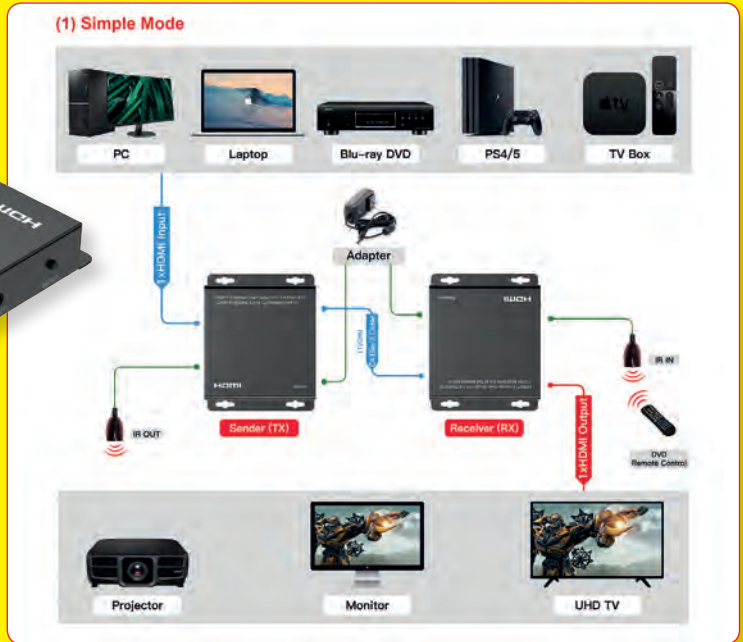
Designed for Professionals



Order-No. – P.U.

ROLINE HDMI over IP Extender 4K30Hz Rx+Tx, 120m, W/IR

14.01.3642 – 2



## VALUE HDMI 4x2 QUAD Multi-Viewer with Seamless Switch

1080p FULL HD

Displays the video output of up to 4 HDMI sources on two monitors or projectors.

- Application example: display device (monitor/TV/beamer) are powered by several HDMI sources such as BluRay players, etc. By pressing the button, the desired source can be selected for the displays or up to four sources at a time using different display options. Or, if only one source is active at a time, the switch automatically changes to this source.
- Switching between PCs is done via buttons on the switch or via remote control
- Supports 1080p (1920x1080 @60Hz), 4K@30Hz (3840x2160)
- Installation is possible without software- only the HDMI cables have to be connected to the Quad Multi Viewer.
- Flat, black metal housing
- Remote control and IR receiver included
- Power supply included in delivery



Technical data:

- Input: 4x HDMI A Female
- Output: 2x HDMI A Female
- Contents: HDMI Switch, main adapter, remote control



Order-No. – P.U.

VALUE HDMI 4x1 QUAD Multi-Viewer with Seamless Switch

14.99.3592 – 2

## ROLINE Wireless Charging Stand for Mobile Devices, 15W

Wireless Charging Stand for matching smartphones or tablets - with up to 15W in the charger allow a smartphone to be charged in „portrait“ or „landscape“ mode, for example.

- Charges a Qi-compatible smartphone or other suitable Qi device
- Charging coil for up to 15W power
- Voltage regulation- designed for charging low-power devices- the power supply is automatically adjusted to the needs of the equipment being charged
- Plug & Play- No driver required
- Ideal for e.g. office or bedroom
- Colour: silver, white
- Cable length: ~150 cm
- Interface: USB Type-C
- Input current: 5V/3A, 9V/2.2A
- Material: Aluminum, PC
- Compatible with phones that support Qi wireless charging
- Power: 15W / 10W / 7.5W / 2.5W

Qi wireless charging: Qi is an interface standard for inductive power transmission (wireless charging) of the „Wireless Power Consortium“. Inductive charging requires two devices, a receiver (such as an iPhone 8/X) and a transmitter (charging station). The current is transmitted via coils that generate a magnetic field. The smartphone can absorb energy via this magnetic field and thus charge the integrated battery.

- Contents: charging station, USB charging cable, operating instructions



**roline**<sup>®</sup>  
Designed for Professionals

Order-No. – P.U.

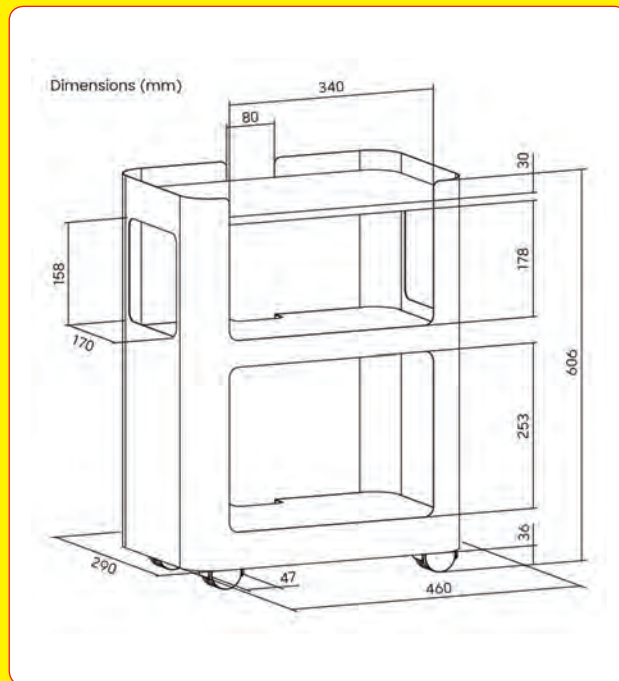
ROLINE Wireless Charging Stand for Mobile Devices, 15W, magnetic 19.11.1016 – 10

## VALUE Open Shelf Mobile Cabinet

Open Shelf Mobile Cabinet is a versatile storage solution with distinctive features.

The rounded corners ensure greater aesthetics and safety. The cable management system ensures a tidy appearance. Thanks to the generous storage space, your belongings remain organized and accessible. The hidden 360° swivel castors not only provide an elegant touch, but also effortless mobility.

- Equipment Shelf: provides more storage space for accessories
- Curved-Edges and Corners
- Cable Management
- Hidden Casters in the Base
- Mobile via 4 wheels
- Max. Load: 10 kg (top) / 20 kg (middle) / 20 kg (bottom)
- Colour: white
- Dimensions (H x W x D): 61 x 46 x 29 cm
- Table top thickness 16mm (Melamine)



Order-No. – P.U.

VALUE Open Shelf Mobile Cabinet, white

17.99.1187 – 1

**Value**<sup>®</sup>





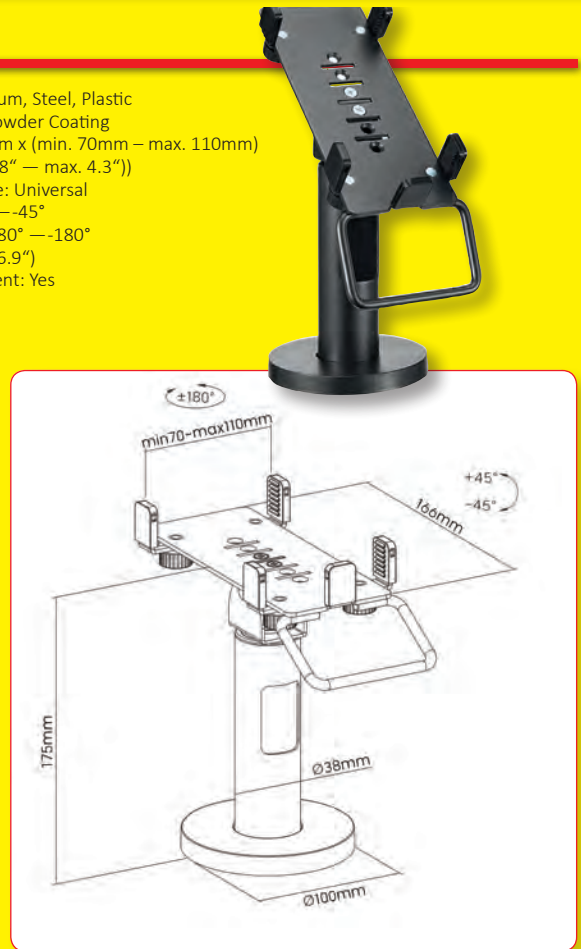
# NEWS SHOP – New Products

## ROLINE Universal Swivel & Tilt Credit Card Terminal Stand

This is a perfect stand for securely mounting a credit card terminal on a countertop with a bolt down base. The width-adjustable mounting clamps can be adjusted to fit 166mm x (min. 70mm – max. 110mm) wide devices and the panel can move forward and backward for flexible positioning. It swivels 360° and tilts up or down for easy accessibility. Built-in cable management keeps everything clean and concealed.

Material: Aluminum, Steel, Plastic  
 Surface Finish: Powder Coating  
 Panel Size: 166mm x (min. 70mm – max. 110mm)  
 (6.5" x (min. 2.8" – max. 4.3"))  
 Applicable Device: Universal  
 Tilt Range: +45° – -45°  
 Swivel Range: +180° – -180°  
 Profile: 175mm (6.9")  
 Cable Management: Yes

- Width Adjustment: fits a variety of appliance/device sizes and shapes
- Swivel Joint: offers maximum viewing flexibility
- Toolless Tilt: allows for effortless positioning
- Silicone Pad: prevents the device from scratching and accidental dropping (securely hold the device in place)



**roline**<sup>®</sup>  
 Designed for Professionals

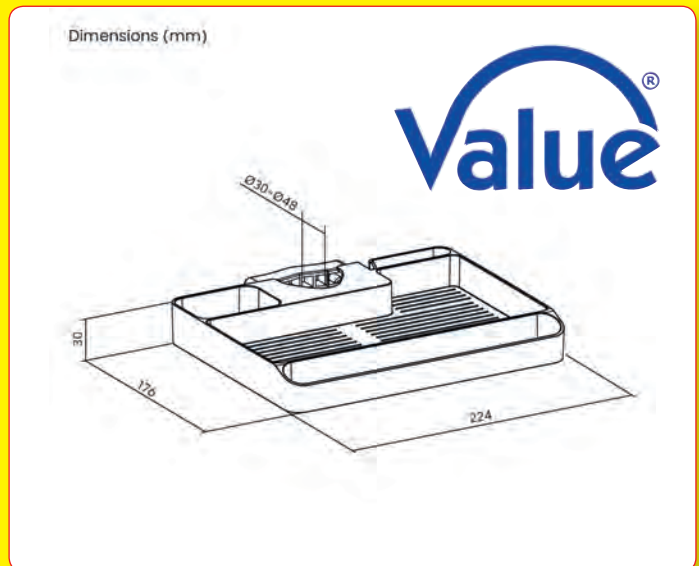
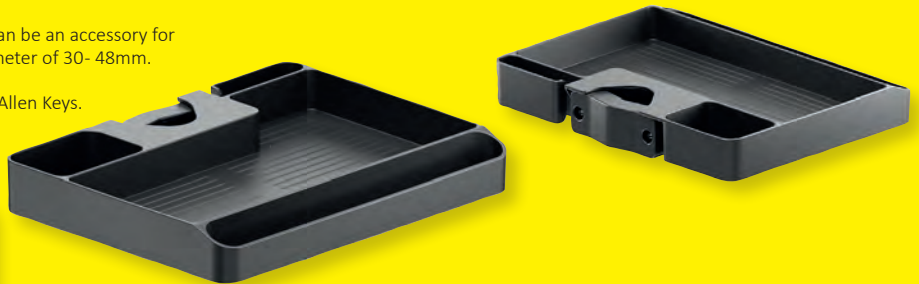
Order-No. – P.U.

ROLINE Universal Swivel & Tilt Credit Card Terminal Stand

17.03.0118 – 4

## VALUE Pole Mounted Storage Shelf

- Easily mounted to poles with a diameter of 30- 48mm
- Designed with a universal adjustable clamp, this storage shelf can be an accessory for monitor mounts, TV stands and TV carts with a pole with a diameter of 30- 48mm.
- Provides efficient storage
- Includes a slot for a phone and a tool holder for different-sized Allen Keys.
- The cable management keeps cables organized
- Load capacity: up to 3 kg



Order-No. – P.U.

VALUE Pole Mounted Storage Shelf

17.99.1184 – 10





**roline**<sup>®</sup>  
Designed for Professionals

## Network Components / Cables

# 1

|   |                          |
|---|--------------------------|
| Fast- / Gigabit Ethernet Converter / Hub . . . . .              | 1.02, 1.03               |
| Fast- / Gigabit Ethernet Switches . . . . .                     | 1.03 – 1.07              |
| Media Converters . . . . .                                      | 1.04 – 1.05, 1.11 – 1.14 |
| PoE Injectors / PoE Switches . . . . .                          | 1.05 – 1.09              |
| Industrial Networking . . . . .                                 | 1.10 – 1.14              |
| Installation Cables . . . . .                                   | 1.15 – 1.17              |
| TP Cables Overview . . . . .                                    | 1.18 – 1.19              |
| Patch Cords . . . . .   | 1.20 – 1.39              |
| Patch Panels . . . . .  | 1.40 – 1.49              |
| Mount Boxes . . . . .   | 1.48 – 1.49              |
| Modular Plugs, Couplers, Junction Boxes,<br>Keystones . . . . . | 1.45 – 1.48              |
| Patch Cables Management . . . . .                               | 1.56 – 1.65              |
| Fibre Optic Jumper Cables . . . . .                             | 1.66 – 1.74              |
| FO Cleaning Accessories . . . . .                               | 1.75                     |
| FO Adapter . . . . .  | 1.76- 1.77               |
| MPO Cabling System . . . . .                                    | 1.78                     |
| 19" LCD KVM Consoles . . . . .                                  | 1.79                     |
| 19" Wall Cabinets . . . . .                                     | 1.80                     |

## VALUE / ROLINE USB to Fast / Gigabit Ethernet Converter

These converters are a cost effective solution to convert a USB port into a Fast- or Gigabit Ethernet port

- Easy installation- just plug the converter into the USB port, connect the LAN cable- done!
- Bus Powered- no external power supply required
- Supports 10/100/1000 Mbit/s auto-sensing capability in Gigabit Ethernet
- Supports both full-duplex and half-duplex operation in Gigabit Ethernet



Ethernet continues to be the most used network interface as the standard evolves to meet the massive data bandwidth requirements of different markets. Due to the upward trend in data traffic, new Ethernet rates have been developed to alleviate the traffic bottlenecks created by the data explosion, therefore the 2.5 Gigabit Ethernet standard was designed to bridge the copper-twisted-pair gap between Gigabit Ethernet and 10 Gigabit Ethernet.

12.99.1119



12.02.1106



12.99.1118



12.99.1107

12.02.1100



12.99.1116



12.02.1112



12.02.1109



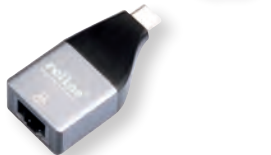
12.99.1115



12.02.1108



12.02.1110



12.02.1111



2.5 Gbit/s - 12.99.1130 / 1134 / 1135



2.5 Gbit/s - 12.02.1103



| Brand  | Description                                       | USB Compliant | Network Connection          | USB Type | Color  | Supported OS                  | Hub Function | Item Number | PU  |
|--------|---|---------------|-----------------------------|----------|--------|-------------------------------|--------------|-------------|-----|
| VALUE  | USB to Fast Ethernet Converter                    | USB 2.0       | Fast Ethernet               | A        | black  | Win XP / 7 / 8 / 10, Mac OS X | —            | 12.99.1107  | -10 |
| VALUE  | USB to Gigabit Ethernet Converter                 | USB 3.2 Gen 1 | Gigabit Ethernet            | A        | black  | Win XP / 7 / 8 / 10, Mac OS X | —            | 12.99.1119  | -10 |
| VALUE  | USB to Gigabit Ethernet Converter                 | USB 3.2 Gen 2 | Gigabit Ethernet            | C        | black  | Win XP / 7 / 8 / 10, Mac OS X | —            | 12.99.1115  | -10 |
| VALUE  | USB to Gigabit Ethernet Converter + 1x PD ((100W) | USB 3.2 Gen 2 | Gigabit Ethernet            | C        | black  | Win XP / 7 / 8 / 10, Mac OS X | —            | 12.99.1118  | -5  |
| VALUE  | USB to Gigabit Ethernet Converter + 3x Hub        | USB 3.2 Gen 1 | Gigabit Ethernet            | A        | black  | Win XP / 7 / 8 / 10, Mac OS X | 3x USB A     | 12.99.1116  | -10 |
| VALUE  | USB to 2.5 Gigabit Ethernet Adapter               | USB 3.2 Gen 2 | <b>2.5 Gigabit Ethernet</b> | A        | silver | Win XP / 7 / 8 / 10, Mac OS X | —            | 12.99.1130  | -5  |
| VALUE  | USB to 2.5 Gigabit Ethernet Adapter               | USB 3.2 Gen 2 | <b>2.5 Gigabit Ethernet</b> | A        | black  | Win XP / 7 / 8 / 10, Mac OS X | —            | 12.99.1134  | -10 |
| VALUE  | USB to 2.5 Gigabit Ethernet Adapter               | USB 3.2 Gen 2 | <b>2.5 Gigabit Ethernet</b> | C        | black  | Win XP / 7 / 8 / 10, Mac OS X | —            | 12.99.1135  | -10 |
| ROLINE | USB to Gigabit Ethernet Converter                 | USB 3.2 Gen 1 | Gigabit Ethernet            | A        | black  | Win XP / 7 / 8 / 10, Mac OS X | —            | 12.02.1106  | -10 |
| ROLINE | USB to Gigabit Ethernet Converter + 3x Hub        | USB 3.2 Gen 1 | Gigabit Ethernet            | A        | black  | Win XP / 7 / 8 / 10, Mac OS X | 3x USB A     | 12.02.1112  | -10 |
| ROLINE | USB to Gigabit Ethernet Converter + 3x Hub        | USB 3.2 Gen 1 | Gigabit Ethernet            | C        | black  | Win XP / 7 / 8 / 10, Mac OS X | 3x USB A     | 12.02.1108  | -10 |
| ROLINE | USB to Gigabit Ethernet Converter                 | USB 3.2 Gen 2 | Gigabit Ethernet            | C        | white  | Win XP / 7 / 8 / 10, Mac OS X | —            | 12.02.1109  | -10 |
| ROLINE | USB to Gigabit Ethernet Converter, +1x PD         | USB 3.2 Gen 2 | Gigabit Ethernet            | C        | white  | Win XP / 7 / 8 / 10, Mac OS X | —            | 12.02.1100  | -10 |
| ROLINE | USB to Gigabit Ethernet Converter                 | USB 3.2 Gen 2 | Gigabit Ethernet            | C        | silver | Win XP / 7 / 8 / 10, Mac OS X | —            | 12.02.1110  | -10 |
| ROLINE | GOLD USB to Gigabit Ethernet Converter            | USB 3.2 Gen 2 | Gigabit Ethernet            | C        | golden | Win XP / 7 / 8 / 10, Mac OS X | —            | 12.02.1111  | -10 |
| ROLINE | USB to 2.5 Gigabit Ethernet Adapter               | USB 3.2 Gen 2 | <b>2.5 Gigabit Ethernet</b> | C        | black  | Win XP / 7 / 8 / 10, Mac OS X | —            | 12.02.1103  | -5  |

**ROLINE USB 3.2 Gen 2 to Gigabit Ethernet CableConverter**



**With this converter you connect your PC or notebook with USB 3.1 / USB 3.2 Gen 2 Type C interface to a Gigabit Ethernet network.**

This converter is a cost effective solution to convert a USB 3.1 / USB 3.2 Gen 2 port into a 10/100/1000Base-T Ethernet port

- Supports 10/100/1000 Mbit/s auto-sensing capability
- Supports USB 3.1 / USB 3.2 Gen 2
- Type C Connector

- Bus powered
- Supports both full-duplex and half-duplex operation in Gigabit Ethernet
- Supports Windows XP/Vista/7/8/10, Mac OS X
- Contents: Converter cable



**roline**  
Designed for Professionals

|   | Order-No. – P.U. |
|---|------------------|
| ROLINE USB 3.2 Gen 2 to Gigabit Ethernet CableConverter, 1m   | 12.02.1165 – 10  |
| ROLINE USB 3.2 Gen 2 to Gigabit Ethernet CableConverter, 1.5m | 12.02.1166 – 10  |
| ROLINE USB 3.2 Gen 2 to Gigabit Ethernet CableConverter, 2m   | 12.02.1167 – 10  |
| ROLINE USB 3.2 Gen 2 to Gigabit Ethernet CableConverter, 3m   | 12.02.1168 – 10  |
| ROLINE USB 3.2 Gen 2 to Gigabit Ethernet CableConverter, 5m   | 12.02.1169 – 10  |

**ROLINE Fast Ethernet / Gigabit Ethernet Switch, Pocket**

**This product is compact in size, making it ideal for SOHO users with limited space to strengthen its network connection.**

- 4x / 8x 10/100/1000BaseTX ports
- Very compact, metal pocket size casing

- Auto-MDI/MDIX
- Auto-negotiation
- Store and forward switching
- Non-blocking
- MAC addresses: 1K / 8K
- Power supply: 5 VDC 1.2A or over USB connection from the PC

- Contents: Switch, power supply, USB power cable, manual



**roline**  
Designed for Professionals

|   | Order-No. – P.U. |
|---|------------------|
| ROLINE Fast Ethernet Switch, Pocket, 5 Ports    | 21.14.3133 – 4   |
| ROLINE Fast Ethernet Switch, Pocket, 8 Ports    | 21.14.3134 – 4   |
| ROLINE Gigabit Ethernet Switch, Pocket, 4 Ports | 21.14.3514 – 4   |
| ROLINE Gigabit Ethernet Switch, Pocket, 8 Ports | 21.14.3530 – 4   |

**ROLINE Gigabit Ethernet Switch, unmanaged**

- Provides 8x 10/100/1000Mbit/s Gigabit Ethernet ports
- All 10/100/1000M ports support auto-negotiation and auto-MDI/MDI-X detection
- Supports full/half-duplex transfer mode for 10/100Mbit/s
- Supports full-duplex transfer mode for 1000Mbit/s
- Store-and-Forward switching method
- Wire-speed packet filtering and forwarding rate

- Supports IEEE 802.3x flow control
- Supports Jumbo Frame up to 9.6K bytes
- MAC Address Table: 8K
- Buffer Memory: 256K bytes
- LED Indication
- Environment Operating Temperature: 0°C ~ 40°C (main device)
- Dimensions (WxDxH): 155 x 86 x 26 mm
- Contents: Switch, power supply (5V DC, 1A), manual



**roline**  
Designed for Professionals

|   | Order-No. – P.U. |
|---|------------------|
| ROLINE Gigabit Ethernet Switch, 8x RJ-45, unmanaged | 21.14.3521 – 10  |

**ROLINE Gigabit Switch, Web-Smart**

**This Gigabit switch allows the transfer of data over Gigabit Ethernet through copper or fibre optical connections.**

- Connections: 5x shielded RJ-45 ports and 1x mini GBIC modular slot (fibre optical)
- Mini GBIC port enables the installation of one SX/LC module (21.14.3500/1/2)
- Supports auto-negotiation, full-duplex mode and auto-MDI/MDIX detection

- Supports store and forward switching
- Web Smart management
- Dimensions (WxDxH): 144 x 105 x 26 mm
- Power supply over included external power adapter
- Contents: Switch, power supply (7,5V DC, 1A), CD (manual)



**roline**  
Designed for Professionals



|   | Order-No. – P.U. |
|---|------------------|
| ROLINE Gigabit Switch, 5x RJ-45 + 1 SFP-Slot, Web-Smart | 21.14.3523 – 1   |
| ROLINE Mini-GBIC Modul SX/LC, Multi Mode                | 21.14.3500 – 10  |
| ROLINE Mini-GBIC Module LX/LC, Single Mode, 10 km       | 21.14.3501 – 10  |
| ROLINE Mini-GBIC Module LX/LC, Single Mode, 20 km       | 21.14.3502 – 10  |



## VALUE Fast Ethernet Converter, RJ-45 to SC

### Converter from Fast Ethernet TP port to multimode fiber

- Supports full wire speed conversion for 10/100Mbit/s speed and media types
- Transparent conversion to 802.1Q VLAN tagged packets
- TP port:
  - IEEE 802.3 10Base-T, IEEE 802.3u 100Base-TX
  - Shielded RJ-45 jacks with auto MDI/MDI-X detection
  - Auto-negotiation for speed and duplex auto detection
  - Speed for 10/100 Mbit/s, Full/half-duplex support

- FX port: Duplex SC
  - IEEE 802.3u 100Base-FX compliant
  - Forced 100Mbit/s, Full-duplex
  - For multimode fibre cable: 62.5/125µm and 50/125µm
- Low power consumption: 2.5W
- Power over included power supply (5VDC, 1A)
- Remark: The converters do not offer a repeater function!
- Contents: Converter, power supply (5V DC, 1000mA), manual

Order-No. – P.U.

VALUE Fast Ethernet Converter, RJ-45 to SC

21.99.1069 – 5



## VALUE Fast Ethernet Converter, incl. mini GBIC, RJ45 to LC

### For converting a Fast Ethernet TP port to multimode fiber

- These converters convert a Fast Ethernet TP port to fiber optic
- Connections: RJ-45 on the TP side / Mini-GBIC slot on the fiber side
- Mini-GBIC module LC: The maximum cable length on the fiber side is 220m when using a 62.5/125µm fiber and 500m when using a 50/125µm fiber.

- Dimensions (WxDxH): 70x108x25mm
- Colour: black
- Power is supplied via an external power supply unit
- Note: The converters do not have a repeater function
- Scope of delivery: Converter, manual, power supply (5V DC, 1A), Mini-GBIC module SX/LC
- Contents: Converter, Manual, PSU

Order-No. – P.U.

VALUE Fast Ethernet Converter, incl. mini GBIC, RJ45 to LC

21.99.1070 – 5



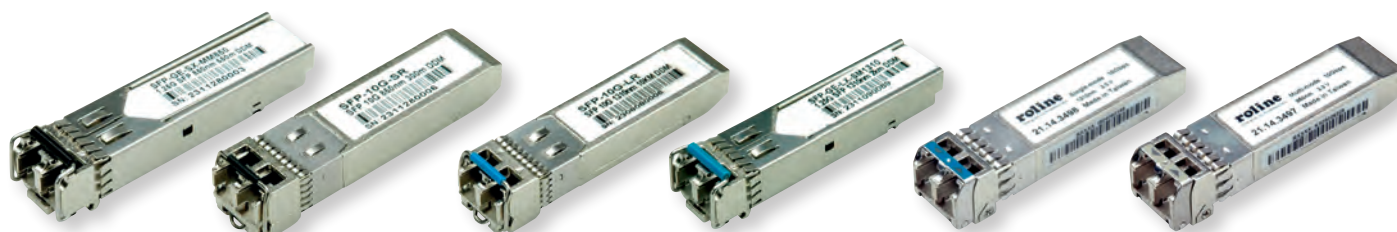
## VALUE / ROLINE Mini-GBIC Modul SX/LC, SFP/SFP+, 1GbE/10GbE, Single-/Multimode, 850/1350nm

NEW

- SFP / SFP+ modules are types of transceivers used to connect a switch or other network device to copper or fiber optic cable
- SFP = small form factor pluggable, is a compact, hot-swappable transceiver designed to support 100/1000 Fast Ethernet/Gigabit Ethernet, Fibre Channel and other communication standards
- SFP+ transceivers are virtually identical in size and appearance with SFP transceivers, but they support higher speeds up to 10 Gbit Ethernet
- The difference in data rate also accounts for a difference in transmission distance— SFP typically has a longer transmission distance than SFP+
- Regarding the compatibility SFP vs SFP+, SFP+ ports often accept SFP optics, but at a reduced speed of 1Gbit/s

- **REMARK: don't plug an SFP+ transceiver into an SFP port, because SFP+ does not support speeds less than 1Gbit/s.**
- For Multimode / Singlemode fibers
  - The maximum cable length for multimode fibre optic cable is 550 m (SFP) / 300 m (SFP+)
  - The maximum cable length for singlemode fibre optic cable is 2 km (SFP) / 10 km (SFP+)
- Hot-swappable

ROLINE items- Supports DDM (Digital Diagnostic Monitoring)- provide real-time monitoring functions in SFP/SFP+ transceivers



21.99.3500

21.99.3501

21.99.3498

21.99.3499

21.14.3498

21.14.3497

Order-No. – P.U.

VALUE Mini-GBIC Modul SX/LC, SFP, 1G, Multimode, 850nm, max. 550m 21.99.3500 – 20

VALUE Mini-GBIC Modul SX/LC, SFP+, 10G, Multimode, 850nm, max. 300m 21.99.3501 – 20

VALUE Mini-GBIC Modul SX/LC, SFP+, 10G, Singlemode, 1350nm, max. 10km 21.99.3498 – 20

VALUE Mini-GBIC Modul SX/LC, SFP, 1G, Singlemode, 1350nm, max. 2km 21.99.3499 – 20

Order-No. – P.U.

ROLINE Mini-GBIC Module LC, 10GbE, Multimode 21.14.3497 – 10

ROLINE Mini-GBIC Module LC, 10GbE, Singlemode 21.14.3498 – 10

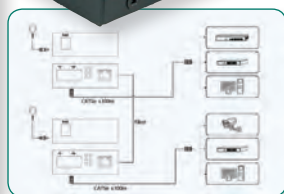
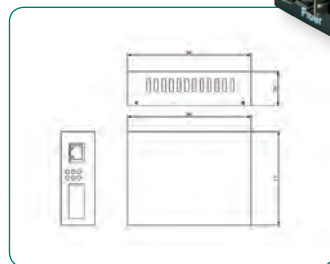
**roline**  
Designed for Professionals



**VALUE Gigabit Ethernet Media Converter**

**Converter from Gigabit Ethernet TP port to multimode fiber**

- Supports full wire speed conversion for 10/100/1000 Mbit/s speed and media types
- Protocol: IEEE802.3 Ethernet / IEEE802.3i 10Base-Tx / IEEE802.3u 100Base-Tx/Fx / IEEE802.3z 1000Base-X / IEEE802.3ab 1000Base-Tx / IEEE802.3x Flow control
- TP port:
  - IEEE 802.3 10Base-T, IEEE 802.3u/3i/3z/3ab/3x
  - Shielded RJ-45 jacks with auto MDI/MDI-X detection
  - Auto-negotiation for speed and duplex auto detection
  - Speed for 10/100/1000 Mbit/s, Full/half-duplex support
- FX port:
  - 1000Base-X compliant
  - Forced 1000Mbit/s, Full-duplex
  - For multi-/singlemode fibre cable (optional SFP module)
- Low power consumption: 3W
- Power over included power supply (5VDC, 1A)
- **Remark: product similar to picture! SFP module NOT INCLUDED**
- Contents: Converter, power supply, manual



Order-No. – P.U.

VALUE Gigabit Ethernet Media Converter

21.99.1199 – 10

**ROLINE RC-100FX/ST Fast Ethernet Converter, RJ-45 to ST, Loop-back**

- These converters are the ideal connectivity solution for networks using a combination of STP and fiber optic types
- Provides media conversion from STP to multimode ST media type
- RC-100FX/ST: The maximum cable length for fiber is 2000 m by using a 50/125µm fiber
- Loop-back-test
- Configuration:
  - TP Mode, TP Duplex, TP Speed
- 6 LEDs: TP Speed, Link/Activity, Power, Duplex, Fiber Signal
- Power supplied by included external power supply
- Colour: grey
- Dimensions (WxLxH): 72.5 x 108 x 23 mm
- Contents: Converter, power supply (7.5V DC, 500mA), manual



**roline**  
Designed for Professionals

Order-No. – P.U.

ROLINE RC-100FX/ST Fast Ethernet Converter, RJ-45 to ST, Loop-back

21.13.1070 – 5

ROLINE RC-100FX/SC Fast Ethernet Converter, RJ-45 to SC, Loop-back

21.13.1071 – 5

**ROLINE Gigabit Converter**

**Convert a fiber optic (FX) signal into a Twisted Pair (TP) signal. And we offer you the according modules.**

- Connections: 1x RJ-45 on the TP side / 1x (21.13.1069) resp. 2x (21.13.1067) Mini GBIC modular slot on the fibre optical side
- Compliant with 1000BaseT and 1000BaseSX/LX Gigabit Ethernet standards
- TP port supports full-duplex, auto-MDI/MDIX, auto-negotiation
- Each SFP slot supports both singlemode and multimode, or mixed
- Link Loss Forwarding (LLF) / Link Fault Pass Through (LFP)

- Power supply over included external power supply
- Contents: Converter, power supply, CD

**21.13.1069:**

- Dimensions (WxDxH): 73 x 108 x 23 mm

**21.13.1067:**

- Dimensions (WxDxH): 74 x 102 x 22 mm

**21.14.3500:**

- Mini GBIC Modul SX/LC: The maximum cable length for the fibre optic cable is 220 m (62.5/125 µm fibre) and 500 m (50/125 µm fibre)



**roline**  
Designed for Professionals

Order-No. – P.U.

ROLINE Gigabit Converter, incl. mini GBIC, RJ45 to LC

21.13.1069 – 5

ROLINE Gigabit Converter, RJ-45 to Mini GBIC

21.13.1067 – 2

ROLINE Mini-GBIC Modul SX/LC, Multi Mode

21.14.3500 – 10

ROLINE Mini-GBIC Module LX/LC, Single Mode, 10 km

21.14.3501 – 10

ROLINE Mini-GBIC Module LX/LC, Single Mode, 20 km

21.14.3502 – 10

**ROLINE 10/100/1000Base-T to Dual-speed Fiber Media Converter**

**Ethernet-Fiber converter which enables connections of copper-based Ethernet equipment over a fiber optic link**

- Tri-speed 10/100/1000Mbit/s copper to dual-speed 1G/100Mbps fiber conversion
- Support full wire speed conversion for Gigabit copper to Gigabit fiber
- Comply with IEEE 802.3, 802.3u, 802.3ab, 802.3z standard
- Auto-negotiation
- Auto-MDI/MDI-X detection
- Supports jumbo frame length of 9.2K bytes

- Supports 802.3x flow control
- LED Indication Unit: Power status, per port: Fiber Speed/Link/Activity, Copper Speed/Link/Activity
- Metal casing
- Contents: Converter, power supply, manual



**roline**  
Designed for Professionals

Order-No. – P.U.

ROLINE 10/100/1000Base-T to Dual-speed Fiber Media Converter

21.13.1174 – 6

## VALUE PoE Switch, Gigabit Ethernet, 8+2 Uplink Ports (1x GbE + 1x SFP)

### Gigabit Ethernet PoE switch with 8+2 ports for small or medium-sized network environments.

This Gigabit Ethernet PoE switch is designed for small or medium network environments to strengthen its network connection. It converts standard 100~240V/AC power into low-voltage DC that runs over an existing LAN cable to power up Power over Ethernet (PoE) compliant network accessories like e.g. workgroup switches, network cameras, access points, IP-phones.

- 8x 10/100/1000 Mbit/s Auto-Negotiation PoE ports with 1 Gigabit Uplink or 1x SFP Port
- Compliant with IEEE802.3af/at standard (IEEE802.3, 802.3u, 802.3af, 802.3x)
- IEEE802.3x flow control for Full-Duplex Mode and back-pressure for Half-Duplex Mode



Order-No. – P.U.

VALUE PoE Switch, Gigabit Ethernet, 8+2 Uplink Ports (1x GbE + 1x SFP) 21.99.1193 – 4

- Bandwidth 18Gbit/s
- Detects your PoE devices according to PoE standard
- Supports automatic detect functionality to protect the system when the system power is overloaded or there is non-POE device
- LED indicators for monitoring power, link, activity and speed
- Switching method: Store-and-forward
- Metal casing
- Contents: Switch, power cord, manual



## VALUE PoE Switch, Gigabit Ethernet, 8+2 Ports

### Gigabit Ethernet PoE switch with 8+2 ports for small or medium-sized network environments.

This Gigabit Ethernet PoE switch is designed for small or medium network environments to strengthen its network connection. It converts standard 100~240V/AC power into low-voltage DC that runs over an existing LAN cable to power up Power over Ethernet (PoE) compliant network accessories like e.g. workgroup switches, network cameras, access points, IP-phones.

- 8x 10/100/1000 Mbit/s Auto-Negotiation PoE ports with 2 Gigabit Uplink Ports
- Compliant with IEEE802.3af/at standard (IEEE802.3, 802.3u, 802.3af, 802.3x)
- IEEE802.3x flow control for Full-Duplex Mode and back-pressure for Half-Duplex Mode
- Bandwidth 18Gbit/s



Order-No. – P.U.

VALUE PoE Switch, Gigabit Ethernet, 8+2 Ports 21.99.1195 – 4

- Detects your PoE devices according to PoE standard
- Supports automatic detect functionality to protect the system when the system power is overloaded or there is non-POE device
- LED indicators for monitoring power, link, activity and speed
- Switching method: Store-and-forward
- Metal casing
- Contents: Switch, power cord, manual

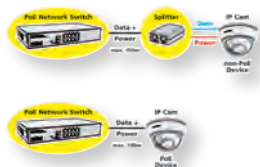


## VALUE PoE 2.5 Gigabit Ethernet Switch, 8x Port (4x PoE++ & 4x PoE+) +1 Uplink Port (10 GbE - SFP+)

### 2.5 Gigabit Ethernet PoE switch with 8+1x uplink SFP+ (10GbE) ports for small or medium-sized network environments.

This 2.5 Gigabit Ethernet PoE switch is designed for small or medium network environments to strengthen its network connection. It converts standard 100~240V/AC power into low-voltage DC that runs over an existing LAN cable to power up Power over Ethernet (PoE) compliant network accessories like e.g. workgroup switches, network cameras, access points, IP-phones.

- 8x 2.5 GBase-T Auto-Negotiation PoE ports with 1x Uplink SFP+ Port (10 Gigabit)
- Compliant with IEEE802.3af/at/bt standard (IEEE802.3, 802.3u, 802.3af, 802.3x)
- IEEE802.3x flow control for Full-Duplex Mode and back-pressure for Half-Duplex Mode
- Bandwidth 60Gbit/s



Order-No. – P.U.

VALUE PoE 2.5 Gigabit Ethernet Switch, 8x Port(4x PoE++ & 4x PoE+) +1 Uplink Port (10 GbE - SFP+) 21.99.1189 – 1

- Detects your PoE devices according to PoE standard
- Supports automatic detect functionality to protect the system when the system power is overloaded or there is non-POE device
- LED indicators for monitoring power, link activity and speed
- Switching method: Store-and-forward
- Metal casing
- Max. PoE power/port: 1-4th ports max. 90W; 5-8th ports max. 30W
- PoE power budget max. 150W
- Contents: Switch, power cord, manual

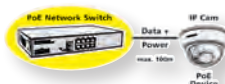
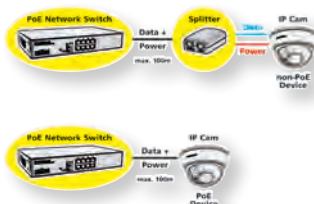




### ROLINE PoE Fast Ethernet Switch, 8 Ports

The ROLINE PoE Fast Ethernet Switch is designed for small network environment to strengthen its network connection. It's also specially designed for video surveillance in buses, trains, subway cars and emergency vehicles. This product is compact in size, making it ideal for every user with limited space.

- 8x 10/100BaseTx Fast Ethernet ports
- PoE port 802.3af compliant
- PoE port provides 48 VDC with up to 15.4 W power
- Auto-MDI/MDIX
- Auto-negotiation
- Full wire speed forwarding
- MAC addresses: 1K
- Casing: metal
- External power supply (40 W)



Order-No. – P.U.

ROLINE PoE Fast Ethernet Switch, 8 Ports

21.13.1191 – 2

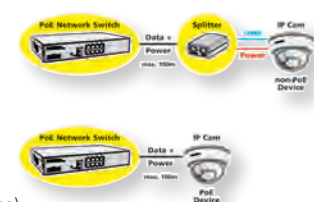
**roline**<sup>®</sup>  
Designed for Professionals



### ROLINE Gigabit Ethernet Switch, 6x (5xGbE + 1x Gbic(SFP)), 4x PoE+

- Provides 5x TP 10/100/1000Mbps Gigabit Ethernet ports and 1x Gbic (SFP)
- 100/1000Mbit/s Fibre: MultiMode 50/125µm, 60/125µm, SingleMode 9/125µm
- All 10/100/1000M ports support auto-negotiation and auto-MDI/MDI-X detection
- Supports full/half-duplex transfer mode for 10/100Mbps
- Supports full-duplex transfer mode for 1000Mbps
- Store-and-Forward switching method
- Wire-speed packet filtering and forwarding rate
- Supports IEEE 802.3x flow control
- 4x PoE Ports (IEEE 802.3at)
- Supports Jumbo Frame up to 9K Bytes
- MAC Address Table: 2K
- Buffer Memory: 128 kBytes
- LED Indication
- Environment Operating Temperature: 0°C ~ 40°C (main device)
- Dimensions (WxDxH): 147 x 106 x 28 mm

- Contents: Switch, power supply (54V DC, 1.6A), manual



Order-No. – P.U.

ROLINE Gigabit Ethernet Switch, 6x (5xGbE + 1x Gbic(SFP), 4x PoE+) 21.14.3524 – 1



**roline**<sup>®</sup>  
Designed for Professionals



### ROLINE Industrial Gigabit PoE++ Mid-Span Injector, 90W

The ROLINE Gigabit PoE Injector is a so-called PSE (Power Source Equipment), a unit to supply power for e.g. surveillance cameras, and LAN devices such as access points, bridges and routers over Ethernet cable.

A PSE supplies the current together with the data in the network cable. It doesn't need no longer an additional own power supply of the device.

- Supply of data and power into the network cables
- Connectors: 1x RJ-45 port (Data In, Data input), 1x power socket (Power In, input power supply), 1x RJ-45 port (Data & Power Out, output data and power)
- Compatible with 802.3af and 802.3at
- Power via PoE++: up to 90W
- LED indicators for Power, Link / Act. and PoE
- Output voltage: 802.3af standard (45V-57V DC)
- Contents: Injector, manual



Order-No. – P.U.

ROLINE Industrial Gigabit PoE++ Mid-Span Injector, 90W

21.13.1202 – 1



**roline**<sup>®</sup>  
Designed for Professionals



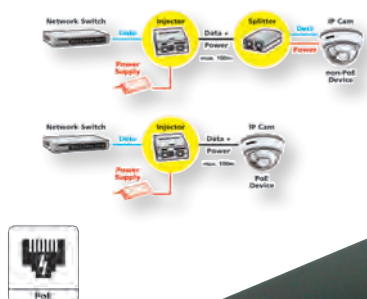
## VALUE Gigabit PoE Injector

The VALUE Gigabit PoE Injector is a so-called PSE, a unit to supply power for e.g. surveillance cameras, and LAN devices such as access points, bridges and routers over Ethernet cable.

A PSE supplies the current together with the data in the network cable. It doesn't need no longer an additional own power supply of the device.

- Supply of data and power into the network cables

- Connectors: 1x RJ-45 port (Data In, Data input), 1x IEC power socket (Power In, input power supply), 1x RJ-45 port (Data & Power Out, output data and power)
- Compatible with 802.3af and 802.3at
- Power via PoE: up to 30W
- LED indicators for Power, Link / Act. and PoE
- Output voltage: 802.3af standard (46V-55V DC)
- Contents: Injector, manual



**Value**



Order-No. – P.U.

VALUE Gigabit PoE Injector

21.99.1498 – 10

## ROLINE Gigabit PoE Injector

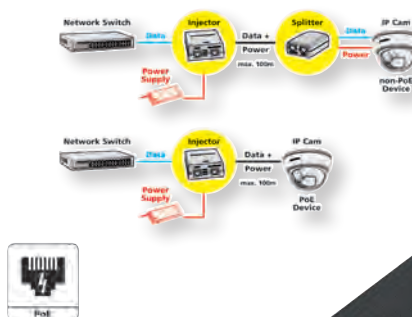
The ROLINE Gigabit PoE Injector is a so-called PSE, a unit to supply power for e.g. surveillance cameras, and LAN devices such as access points, bridges and routers over Ethernet cable.

A PSE supplies the current together with the data in the network cable. It doesn't need no longer an additional own power supply of the device.

- Supply of data and power into the network cables
- Connectors: 1x RJ-45 port (Data In,

Data input), 1x IEC power socket (Power In, input power supply), 1x RJ-45 port (Data & Power Out, output data and power)

- Compatible with 802.3af and 802.3at
- Power via PoE: up to 30W
- LED indicators for Power, Link / Act. and PoE
- Output voltage: 802.3af standard (46V-52V DC)
- Contents: Injector, manual



**roline**  
Designed for Professionals



Order-No. – P.U.

ROLINE Gigabit PoE Injector

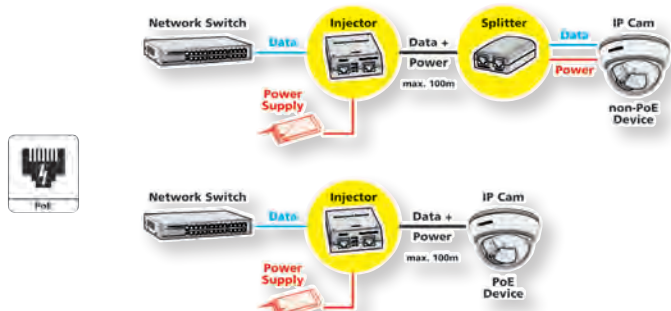
21.13.1199 – 6

## ROLINE PoE Gigabit Injector

With this ROLINE Gigabit Ethernet PoE injector you can supply with power simultaneously 4 PoE-capable work-group switches, network cameras, access points, IP phones, etc. via TP connecting cable

- Inputs: 4x 10/100/1000 ports for data
- Outputs: 4x 10/100/1000 ports for data and power
- Supports PoE IEEE 802.3af / at: Up to 30 W per port can be fed into the TP cable
- Power supply via terminal block or external DC power supply (48V to) 56V DC Port
- Weight: 190 g

- Dimensions (L x W x H): 94 x 62 x 20 mm
- Metal housing



**roline**  
Designed for Professionals

Order-No. – P.U.

ROLINE PoE Gigabit Injector, 4 Ports

21.13.1198 – 2

## ROLINE Gigabit PoE+ Extender

- 2 port Gigabit PoE extender designed for extending connection distance for another 100m on both ends via Cat-5e cable or better
- For covering longer distances by cascading multiple PoE extender together on a network
- No need any additional power supply
- LAN cable to power IEEE 802.3at compliant network accessories
- Features PoE awareness to verify whether the network device receive power is IEEE 802.3at compliant, or only the data will be sent through LAN cable
- No special networking cable required
- Input: 1x 10/100/1000 ports for data and power

- Output: 1x 10/100/1000 ports for data and power
- By adding PoE devices, it's possible to use an existing standard Cat.5e/6 Ethernet cable without a new electrical outlet for both power and data
- Supports PoE IEEE 802.3af/at
- Own power supply via PoE-consumption about 2W
- Metal enclosure- Wall mounting
- Contents: Power over Ethernet Injector (incl. power cable, 1.5 m), manual



**roline**  
Designed for Professionals

Order-No. – P.U.

ROLINE Gigabit PoE+ Extender, 2 Port

21.13.1188 – 12

## ROLINE Industrial Gigabit PoE++ Mid-Span Injector (IEEE 802.3bt), 90W

The ROLINE Gigabit PoE Injector is a so-called PSE, a unit to supply power for e.g. surveillance cameras, and LAN devices such as access points, bridges and routers over Ethernet cable.

A PSE supplies the power together with the data in the network cable. There is no longer need for an additional own power supply of the device.

- Supply of data and power into the network cables
- Connectors: 1x RJ-45 port (Data In, Data input), 1x RJ-45 port (Data & Power Out, output data and power)
- Compatible with 802.3af and 802.3at
- Power via PoE++: up to 90W
- LED indicators for Power status, PD mode detection
- Output voltage: 56V DC
- Contents: Injector, manual



**roline**  
Designed for Professionals

Order-No. – P.U.

ROLINE Industrial Gigabit PoE++ Mid-Span Injector (IEEE 802.3bt), 90W 21.13.1203 – 1

## ROLINE 19" PoE MID-Span Power Supply

8-way injector that supplies IEEE 802.3af Power over Ethernet (PoE) compliant network accessories like e. g. workgroup switches, network cameras, access points, IP-phones with data and power over one LAN cable.

- Data-In Ports: 8x 10/100BaseTX, Data + Power-out Ports: 8x 10/100BaseTX
- Standards: IEEE 802.3 10BaseT, IEEE 802.3u 100BaseTX, IEEE 802.3x Flow Control, IEEE 802.3af PoE
- Max. power output: 48 VDC / 15.4 W per port
- PoE capable ports: Port 1-8 up to 15.4 W per port
- PoE power budget: 110 W
- Max. power consumption (without PoE): 122 W (12 W)
- Status LEDs
- Metal casing, 19" rack-mountable (rack-mount kit included)
- Active cooling with integrated fan
- Internal power supply
- Dimensions (WxDxH): 440 x 220 x 44 mm
- Contents: Switch, power cord, rack mount kit, manual



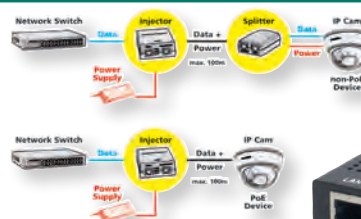
**roline**  
Designed for Professionals

Order-No. – P.U.

ROLINE 19" PoE MID-Span Power Supply, 8 Midspanports 21.13.1181 – 1

## ROLINE High Power PoE Splitter, 30W

- High power PoE splitter which integrates Power over Ethernet (PoE) technology to PoE incapable network device by just using a single Cat.5 cable for both power and data transaction
- For easier, cost-effective PoE network installation, the PoE splitter is the best solution to protect original investment.
- IEEE 802.3at and 802.3af compliance
- Support 10BASE-T, 100BASE-TX, and 1000BASE-T
- Support Alternative A or Alternative B PoE input over Cat.5
- Provide a power class selection DIP for demanding power from PSE
- Support Type 1 PSE classification (for power up to 13 Watts min.) and Type 2 PSE 2-event classification (for power up to 30 Watts)
- Regulated DC power output with four optional voltages
- Flexible mounting support, light weight and compact
- Metal housing
- Dimension: 73 x 85 x 24 mm



**roline**  
Designed for Professionals

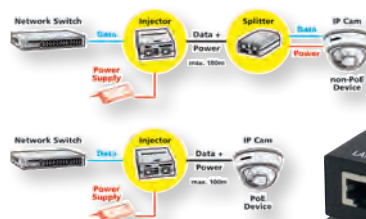
Order-No. – P.U.

ROLINE High Power PoE Splitter, 30W 21.13.1175 – 1

## ROLINE High Power PoE++ Splitter, 128W

High power PoE++ splitter which integrates Power over Ethernet (PoE) technology to PoE incapable network device by just using a single twisted pair cable for both power and data transaction.

- Enables PoE incapable network device with PoE capability
- IEEE 802.3at PoE+ and 802.3af PoE compliance
- Supports proprietary high power PoE++ up to 128W
- Supports 10BASE-T, 100BASE-TX, and 1000BASE-T
- Supports Alternative A or Alternative B PoE input over Cat.5/6
- Provides power class selection DIP for demanding power from PSE- allows user to select one from nine different classes for demanding power from a remote PoE switched port or mid-span injector
- Supports Type 1 PSE classification and Type 2 PSE 2-event classification
- Short-circuit protection, low voltage lock out, inrush current limit and thermal protection
- Flexible mounting support, light weight and compact
- Metal housing
- Dimension: 73 x 85 x 24 mm



**roline**  
Designed for Professionals

Order-No. – P.U.

ROLINE High Power PoE++ Splitter, 128W 21.13.1173 – 1



## ROLINE Fast Ethernet Switches for Industrial Environments, unmanaged

- Fast Ethernet switch with 5/8 shielded 10/100 Base-T copper ports
- Wide operating temperature range for temperature critical environment
- Auto MDI/MDI-X crossover function
- Supports IEEE 802.3x flow control for full-duplex operation
- Supports back-pressure flow control for half-duplex operation
- Supports DIN-rail mounting and panel mounting
- Fanless, rugged metal casing
- Operating Temperature: - 20 °C- +70 °C
- DC Input via terminal block or DC power jack (6.3mm / 2.0mm)
- Contents: Switch

- 21.13.1155/21.13.1156**
- Power: Input: 5- 30 VDC, consumption: 2.15W resp. 2.3W (max)
  - Dimensions: 95 x 40 x 80 mm (WxDxH)
- 21.13.1157**
- Power: Input: 4.5- 50V DC, consumption: 3.4W (max.)
  - Dimensions: 140 x 106 x 40 mm (WxDxH)



Order-No. – P.U.

|  |   |            |     |
|--|---|------------|-----|
| ROLINE Industrial Switch, 5x RJ-45, unmanaged  | A | 21.13.1155 | - 1 |
| ROLINE Industrial Switch, 8x RJ-45, unmanaged  | B | 21.13.1156 | - 1 |
| ROLINE Industrial Switch, 16x RJ-45, unmanaged | C | 21.13.1157 | - 1 |



**roline**  
Designed for Professionals

## ROLINE Gigabit Ethernet Industrial Switch

- Provides 8 10/100/1000Mbps copper ports
- Auto-negotiation
- Auto MDI/MDI-X crossover function
- Supports IEEE 802.3x flow control for full duplex
- Supports back pressure flow control for half duplex
- Fully non-blocking Gigabit full wire speed switching performance
- Jumbo frame support
- Alarm relay output for power failure event and configured port link fault events
- Wide operating temperature range
- Supports Green Ethernet power saving
- Supports IEEE 802.3az Energy Efficient Ethernet
- Supports DIN-Rail mounting and panel mounting
- Industrial-rated emission and immunity performance
- Contents: Switch, manual

**roline**  
Designed for Professionals

Order-No. – P.U.

|   |  |            |     |
|---|--|------------|-----|
| ROLINE Gigabit Ethernet Industrial Switch, 8x |  | 21.13.1161 | - 1 |
|---|--|------------|-----|



## ROLINE Fast Ethernet Switches with Fiber Port for Industrial Environments

- Eight Fast Ethernet copper ports and (optional) fiber ports
- Port 7 and Port 8 provide either 10/100BaseT or 100BaseFX (model dependent)
- All copper ports support auto-negotiation and auto-MDI/MDIX configuration
- Unmanaged switches for industrial environments
- Provides wire speed store and forward switching
- Wide operating temperature range for temperature critical environment
- Industrial-rated emission and immunity performance
- Fanless, extra rugged metal housing
- Support DIN rail mounting and panel mounting

**roline**  
Designed for Professionals

Order-No. – P.U.

|  |   |            |     |
|--|---|------------|-----|
| ROLINE Industrial Switch, 7x RJ-45, 1x ST, unmanaged | A | 21.13.1151 | - 1 |
| ROLINE Industrial Switch, 7x RJ-45, 1x SC, unmanaged | B | 21.13.1152 | - 1 |
| ROLINE Industrial Switch, 6x RJ-45, 2x ST, unmanaged | C | 21.13.1153 | - 1 |
| ROLINE Industrial Switch, 6x RJ-45, 2x SC, unmanaged | D | 21.13.1154 | - 1 |



**ROLINE Gigabit Ethernet Industrial Switch, 5x RJ45 + 1x SFP**

**5-Port Gigabit network switch for use in an industrial environment - including an additional SFP-Port!**

- Provides 5x 10/100/1000Mbps copper ports + 1x dual SFP slot
- Auto-negotiation
- Auto MDI/MDI-X crossover function
- Provides in-band web-based management interface
- Supports IEEE 802.3x flow control for full duplex
- Supports back pressure flow control for half duplex
- Supports port-based and 802.1Q Tag-based VLAN
- Provides QoS function
- Provides 802.1x authentication
- Supports configuration backup and upload
- Provides port mirroring function
- Supports 802.1w RSTP
- Provides IGMP snooping
- MAC Address Table 8K entries
- Buffer Memory 136K bytes
- Operating Power: +6.5VDC to +32VDC
- DC Power Input Screwed Terminal Block: +6.5VDC- +32VDC
- DC IN Jack: -D 6.3mm/+D 2.0mm
- External power adapter rating: +6.5VDC- +32VDC



**roline**<sup>®</sup>  
Designed for Professionals

Order-No. – P.U.

ROLINE Gigabit Ethernet Industrial Switch, 5x RJ45 + 1x SFP

21.13.1162 – 1

**ROLINE Converter for Industrial Environments, RS232 - Multimode Optical Fiber**

- Transparent conversion for all RS-232 signals
- Designed for industrial environments
- RS-232 surge, ESD, and isolation protection
- DIN-rail and panel mounting support
- Wide power voltage range support
- Terminal block and DC plug power connectors
- Wide operating temperature range
- Industrial-rated emission and immunity performance
- Fanless, rugged metal housing
- Power: Input: 7-30 VDC



**roline**<sup>®</sup>  
Designed for Professionals



Order-No. – P.U.

ROLINE Industrial Converter RS232 - Multimode Optical Fiber, ST A 21.13.1140 – 1

ROLINE Industrial Converter RS232 - Multimode Optical Fiber, SC B 21.13.1141 – 1

**ROLINE Converter for Industrial Environments, 10/100Base-T - Multimode Optical Fiber**

- Support full wire speed copper-to-fiber media conversion for 10/100Mbit/s speed and media types
- Support auto-negotiation 10/100Mbit/s or forced mode on TP copper port
- Auto MDI/MDIX
- Provide comprehensive manual configuration settings
- Transparent conversion to 802.1Q VLAN tagged packets
- Low power consumption
- Two power interface types: screw terminal block and DC plug
- Supports DIN-rail mounting and optional screwed plane mounting
- Industrial-rated emission and immunity performance
- Fanless, rugged metal casing

**roline**<sup>®</sup>  
Designed for Professionals



Order-No. – P.U.

ROLINE Industrial Converter 10/100Base-T - Multimode Optical Fiber, ST A 21.13.1142 – 1

ROLINE Industrial Converter 10/100Base-T - Multimode Optical Fiber, SC B 21.13.1143 – 1

ROLINE Industrial Mini Converter, 10/100TX - 100FX (SC) 21.13.1147 – 1



B

A

## ROLINE Industrial Converter, 10/100/1000T - 100/1000 Fiber

- Support full wire speed copper-to-fiber media conversion for 10/100Mbit/s speed and media types
- Tri-speed 10/100M/1Gbit/s copper to dual-speed 100M/1Gbit/s fiber conversion
- Comply with IEEE 802.3, 802.3u, 802.3ab, 802.3z standard
- Choice for SFPs for 100Base-FX (21.14.3499) or for Gigabit Ethernet (Mini-GBICs: 21.14.3500, 21.14.3501, 21.14.3502)
- Support full wire speed conversion for Gigabit copper to Gigabit fiber SFP port
- Support auto-negotiation with link partners
- Supports auto-negotiation 10/100Mbps or forced mode on the copper port
- Auto-MDI/MDIX on the copper port
- Ideal solution for multimode, short reach up to long reach single mode fiber, Bi-Di applications
- Provide dual-speed SFP on fiber port for mounting variety of fiber options
- Provide important LFPT (Link Fault Pass Through) media converter function
- Support Jumbo frame conversion

- Energy efficient ethernet (EEE) support
- Alarm events relay output
- Operation temp. :- 20 °C- +70 °C
- Supports DIN rail mounting
- DC Input via terminal block



Order-No. – P.U.

|  |                 |
|--|-----------------|
| ROLINE Industrial Converter, 10/100/1000T - 100/1000 Fiber | 21.13.1149 – 1  |
| ROLINE SFP 100Base-FX, Multimode, 2km                      | 21.14.3499 – 10 |
| ROLINE Mini-GBIC Modul SX/LC, Multi Mode                   | 21.14.3500 – 10 |
| ROLINE Mini-GBIC Module LX/LC, Single Mode, 10 km          | 21.14.3501 – 10 |
| ROLINE Mini-GBIC Module LX/LC, Single Mode, 20 km          | 21.14.3502 – 10 |

**roline**  
Designed for Professionals

## ROLINE Industrial Managed 8-Port L2 Gigabit Ethernet Switch

**ROLINE Industrial Managed 8-Port L2 Gigabit Ethernet Switch which enables up to 8 connections of copper-based Ethernet equipment**

- Provides 8 10/100/1000Mbps copper ports
- Complies with IEEE 802.3, 802.3u, 802.3ab, 802.3x and 802.3az standards
- Auto-negotiation / Auto MDI/MDI-X crossover function
- Supports IEEE 802.3x flow control for full duplex
- Supports back pressure flow control for half duplex
- Fully non-blocking Gigabit full wire speed switching performance
- Jumbo frame support (9.6K bytes)
- Alarm relay output for power failure event and software configured port link fault events
- 802.1Q VLAN / QoS (Quality of Service) function
- Port mirroring / IGMP snooping function
- Web management
- SNMP MIB-II support and trap function
- Wide operating temperature range

- Supports IEEE 802.3az Energy Efficient Ethernet
- Supports DIN-Rail mounting and panel mounting
- LED Indication Unit: Power status, per port: Speed/Link/Activity
- Metal casing
- Contents: Switch, manual



Order-No. – P.U.

|   |                |
|---|----------------|
| ROLINE Industrial Managed 8-Port L2 Gigabit Ethernet Switch | 21.13.1136 – 1 |
|---|----------------|

**roline**  
Designed for Professionals

## ROLINE Gigabit Switch 10-Port(8x RJ45+2x SFP) Layer2 PoE+ Smart Managed

- Eight 10/100/1000Mbps RJ-45 and two dual-speed SFP slots
- All copper ports support auto-negotiation and auto-MDI/MDI-X detection
- All copper ports are equipped with 802.3at-compliant PoE PSE
- Two SFP slots support dual speed for 100BASE-FX and 1000BASE-X SFP transceivers
- Full wire speed forwarding
- Supports 802.3x flow control for full-duplex and backpressure for half-duplex
- Supports SFP with Digital Diagnostic Monitoring (DDM)
- Provides PoE PSE redundancy function
- Provides fiber optical power alarm function, Automatic Laser Shutdown function
- Power voltage DC 12V-30V

### Management:

- HTTP/HTTPS/SSHv2/CLI telnet/CLI console/SNMP v1/v2c/v3/RMON
- DHCP/DHCPv6 client, DNS client, NTPv4
- IPv6 support, System Syslog, Configuration down/upload, Software upload
- private MIB for DDM monitoring, Remote boot, TFTP firmware update via SNMP

### Security:

- NAS, 802.1X, MAC-based/Web/CLI authentication, IP MAC binding, TACACS+, IP source guard

### Layer 2:

- QoS, 802.1Q/MAC-based/Protocol-based/Private/IP subnet VLAN, Port Isolation
- Storm control for UC/MC/BC packets
- Static MAC configuration
- IGMP v2/v3 snooping, MLD v1/v2 snooping, DHCP snooping
- Multiple Spanning Tree – MSTP, RSTP, STP

### Auto Multi-Ring (KAMR) Technology:

- Fast failover response time
- Auto recovery when failure is repaired
- Supports up to Five redundant rings
- Works with RSTP network
- Supports ring member status monitoring for up to 100 units



Order-No. – P.U.

|   |                |
|---|----------------|
| ROLINE Gigabit Switch 10-Port(8x RJ45+2x SFP) Layer2 PoE+ Smart Managed | 21.13.1137 – 1 |
|---|----------------|

**roline**  
Designed for Professionals



### ROLINE Industrial Converter RJ-45, Fiber Optic 1000SX/LC

- Provides direct media conversion for Gigabit copper and Gigabit fiber
- Plug and play design with no configuration setting
- Support DIN-rail mounting and panel mounting
- Two power interface types: screw terminal block and DC Jack
- Low power consumption
- Support full wire speed conversion
- Support transparent conversion of any packet types with no packet length limitation
- Support auto-negotiation with link partners
- Provide link pass through between copper and fiber link
- Supports DIN-rail mounting
- Copper port:
  - Shielded RJ-45,1000Mbps
  - Auto-negotiation capable
  - Auto-MDI/MDI-X crossover function
- Fiber port:
  - SFP connector with pre-configured SFP fiber transceiver
  - Far End Fault support
- Power: Input: 7- 30V DC, consumption: 2,5W (max.)
- Operating Temperature:- 20 °C- +70 °C
- Dimensions: 28 x 82 x 95 mm (WxDxH)



**roline**<sup>®</sup>  
Designed for Professionals



Order-No. – P.U.

ROLINE Industrial Converter RJ-45, Fiber Optic 1000SX/LC

21.13.1144 – 1

### ROLINE Industrial Ethernet to Serial Media Converters (RS-232), 1x SFP

**Network media converter from Ethernet (RJ-45) to serial (RS-232), for use in industrial environments - including an additional SFP port!**

- Ethernet interface provides combo port of 10/100Mbps copper RJ-45 and 100M fiber SFP slot
- Serial interface RS-232
- Serial port supports baud-rate up to 230400bps
- Galvanic isolation on serial interface
- Data conversion throughput up to 230Kbps
- Wide range of direct power voltage support, DC 8V-60V
- Powered over Ethernet through RJ-45 interface (PoE-enabled)
- Alarm relay output for power failure, port link down and failure in connecting to server
- Application support for remote COM port, serial server over TCP, reverse telnet, pair connection, and serial broadcast
- Remote COM driver support for Windows PC
- Web-based and serial-based console configuration



**roline**<sup>®</sup>  
Designed for Professionals

Order-No. – P.U.

ROLINE Industrial Ethernet to Serial Media Converters (RS-232), 1x SFP

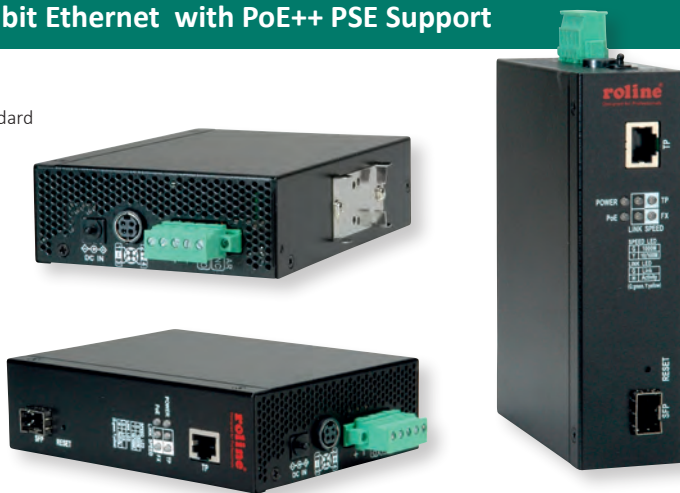
21.13.1138 – 1

- Event notification over SMTP and SNMP traps
- Designed for industrial environments with:
  - Terminal block and DC plug (6.3 mm/2.0 mm) power connectors
  - Fanless, rugged metal housing
- Power: Input: 8- 60 VDC
- Power over Ethernet:
  - IEEE 802.3af, voltage input range: +36- +57VDC
- Operating Temperature:- 30 °C- +70 °C



### ROLINE Industrial Managed Media Converter Gigabit Ethernet with PoE++ PSE Support

- Industrial Media Converter with PoE++ PSE for general applications
- Tri-speed 10/100M/1Gbps copper to dual-speed 100M/1Gbps fiber conversion
- Comply with IEEE 802.3, 802.3u, 802.3ab, 802.3z, 802.3af, 802.3at, 802.3bt standard
- Support full wire speed conversion for Gigabit copper to Gigabit fiber
- Provide dual-speed SFP on fiber port for mounting variety of fiber options
- Provide important LFPT (Link Fault Pass Through) media converter function
- Support Jumbo frame conversion
- Energy Efficient Ethernet (EEE) support
- Alarm events relay output
- Optical Power Alarm (OPA) function
- Auto Laser Shutdown (ALS) function
- Fiber support for multimode, short reach up to long reach single mode fiber, Bi-Di applications
- Web-based configuration management support
- Support SNMP management
- Provide variety of PoE options for different power level applications
- PoE shutdown protection for non-compliant PD, disconnection, over-current and short-circuit



Order-No. – P.U.

**roline**<sup>®</sup>  
Designed for Professionals



ROLINE Industrial Managed Media Converter Gigabit Ethernet with PoE++ PSE Support

21.13.1135 – 1

## ROLINE Gigabit Switch 10-Port (8x RJ45+2x SFP) Layer2, 802.bt POE Smart Managed, 240W

### Gigabit Switch with 8x 10/100/1000Mbps RJ-45 and two dual-speed SFP slots

- Eight 10/100/1000Mbps RJ-45 and two dual-speed SFP slots
- All copper ports support auto-negotiation and auto-MDI/MDI-X detection
- All copper ports are equipped with 802.3bt-compliant PoE PSE
- Two SFP slots support dual speed for 100BASE-FX and 1000BASE-X SFP transceivers
- Full wire speed forwarding
- Supports 802.3x flow control for full-duplex and backpressure for half-duplex
- Supports SFP with Digital Diagnostic Monitoring (DDM)
- Provides PoE PSE redundancy function
- Provides fiber optical power alarm function, Automatic Laser Shutdown function
- Power voltage DC 12V-60V (General applications) / +45- +57VDC (PoE applications)

### Management:

- HTTP/HTTPS/SSHv2/CLI telnet/CLI console/SNMP v1/v2c/v3/RMON
- DHCP/DHCPv6 client, DNS client, NTPv4
- IPv6 support, System Syslog, Configuration down/upload, Software upload
- private MIB for DDM monitoring, Remote boot, TFTP firmware update via SNMP

### Security:

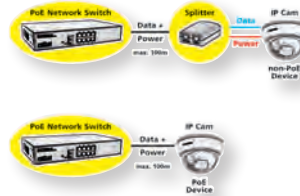
- NAS, 802.1X, MAC-based/Web/CLI authentication, IP MAC binding, TACACS+, IP source guard

### Layer 2:

- QoS, 802.1Q/MAC-based/Protocol-based/Private/IP subnet VLAN, Port Isolation
- Storm control for UC/MC/BC packets
- Static MAC configuration
- IGMP v2/v3 snooping, MLD v1/v2 snooping, DHCP snooping
- Multiple Spanning Tree – MSTP, RSTP, STP

### Auto Multi-Ring (AMR) Technology:

- Fast failover response time
- Auto recovery when failure is repaired
- Supports up to Five redundant rings
- Works with RSTP network
- Supports ring member status monitoring for up to 100 units



**roline**<sup>®</sup>  
Designed for Professionals

Order-No. – P.U.

ROLINE Gigabit Switch 10-Port (8x RJ45+2x SFP) Layer2, 802.bt POE Smart Managed, 240W 21.13.1131 – 1

## ROLINE 10/100Base-TX to 100Base-FX Media Converter

- Support full wire speed copper-to-fiber media conversion for 10/100Mbit/s speed and media types
- Support auto-negotiation 10/100Mbps on the copper port
- Auto MDI/MDI-X crossover function on the copper port
- Support IEEE 802.3x flow control
- Transparent conversion to 802.1Q VLAN tagged packets
- Provides Far End Fault function on FX (fiber) port
- Low power consumption
- Supports wall mounting
- LEDs: Power status, TP speed, TP Link/Activity, FX Link/Activity
- Packet Size: Up to 1536 bytes
- Operation temp.: 0 °C – +50 °C
- DC Input via external power adapter or USB power cable

### REMARK: the correspondent Mini-GBIC Modules have to be ordered separately

- Contents: converter, USB power cable



**roline**<sup>®</sup>  
Designed for Professionals



Order-No. – P.U.

ROLINE 10/100Base-TX to 100Base-FX Media Converter 21.13.1132 – 5

## ROLINE 10G Ethernet Multi-rate Media Converter, Industrial Converter RJ45, Fiber Optic

- The device supports the following multi-rate and media conversion:
  - 10GBASE-T to 10GBASE-R conversion
  - 5GBASE-T to 5GBASE-R conversion
  - 2.5GBASE-T to 2500BASE-X conversion
  - 1000BASE-T copper to 1000BASE-X (without auto-negotiation support) fiber conversion
- Support auto-negotiation and Auto-MDI/MDI-X detection
- Support full wire speed conversion
- Support transparent conversion for any packet types with no packet length limitation
- Provide link fault pass through function
- LED Indication Power status, Activity, Speed link status
- Copper port:
  - Shielded RJ-45,
  - Auto-negotiation capable
  - Auto-MDI/MDI-X 10G/5G/2.5G/1Gbps, Full/Half duplex
- Fiber port:
  - SFP+ connector
- Power: Input: 5VDC 1.5A, consumption: 3.8W (max.)

- Operating Temperature: 0 °C - +50 °C
- Dimensions: 75 x 102 x 22.2 mm (WxDxH)
- **REMARK: the correspondent Mini-GBIC Modules have to be ordered separately**

- Contents: converter



**roline**<sup>®</sup>  
Designed for Professionals



Order-No. – P.U.

ROLINE 10G Ethernet Multi-rate Media Converter, Industrial Converter RJ45, Fiber Optic 21.13.1133 – 5

VALUE UTP Cable Cat.5e / Cl. D

CPR Class E<sub>ca</sub>

- Structured building cabling
- Impedance: 100 Ohm
- Length: 300 m
- Colour: Grey
- Construction: 8 lines, copper, solid wire AWG24

Note: Solid Wire - CPR Class E<sub>ca</sub>



Order-No. - P.U.

VALUE UTP Cable Cat.5e / Cl. D, Solid Wire, AWG24, 300 m

21.99.0596 - 2

ROLINE UTP Cable Cat.5e / Cl. D

CPR Class E<sub>ca</sub>

- Structured building cabling
- Impedance: 100 Ohm
- Colour: Grey
- Construction (21.15.0518/20): 8 lines, copper, stranded wire AWG24

Note: Solid Wire - CPR Class E<sub>ca</sub>



Order-No. - P.U.

ROLINE UTP Cable Cat.5e / Cl. D, Stranded Wire, 100 m

21.15.0518 - 2

ROLINE UTP Cable Cat.5e / Cl. D, Stranded Wire, 300 m

21.15.0520 - 1

VALUE FTP Cable Cat.5e / Cl. D

CPR Class E<sub>ca</sub>

- Structured building cabling
- Impedance: 100 Ohm
- Length: 300 m
- Colour: Grey
- Construction: 8 lines, copper, solid wire, complete shielding with aluminium clad polyester foil

Note: Solid Wire - CPR Class E<sub>ca</sub>



Order-No. - P.U.

VALUE FTP Cable Cat.5e / Cl. D, Solid Wire, 300 m

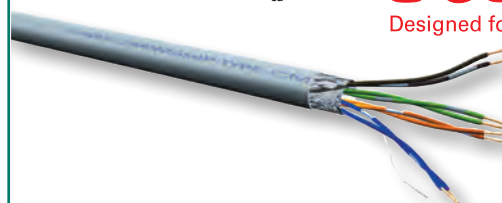
21.99.0196 - 2

ROLINE FTP Cable Cat.5e / Cl. D

CPR Class E<sub>ca</sub>

- Structured building cabling
- Impedance: 100 Ohm
- Colour: Grey
- Construction (21.15.0009/10): 8 lines, copper, solid wire AWG24, screening: alu-laminated foil
- Construction (21.15.0119/21): 8 lines, copper, stranded wire AWG26, screening: alu-laminated foil

Note: Solid Wire - CPR Class E<sub>ca</sub>



Order-No. - P.U.

ROLINE FTP Cable Cat.5e / Cl. D, Solid Wire, 100 m

21.15.0009 - 2

ROLINE FTP Cable Cat.5e / Cl. D, Solid Wire, 300 m

21.15.0010 - 1

ROLINE FTP Cable Cat.5e / Cl. D, Stranded Wire, 100 m

21.15.0119 - 2

ROLINE FTP Cable Cat.5e / Cl. D, Stranded Wire, 300 m

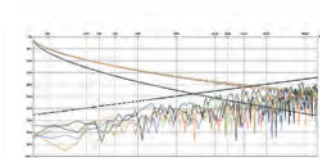
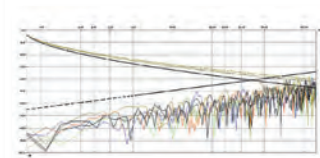
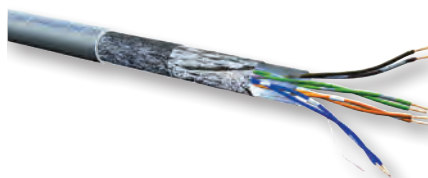
21.15.0121 - 1

ROLINE S/FTP Cable Cat.5e / Cl. D

CPR Class E<sub>ca</sub>

- Structured building cabling
- Impedance: 100 Ohm
- Colour: Grey
- Construction (21.15.0319/21): 8 lines, copper, stranded wire AWG26, screening: alu-laminated foil, shielding: copper braid
- Diagram: attenuation/near end crosstalk

Note: Solid Wire - CPR Class E<sub>ca</sub>



Order-No. - P.U.

ROLINE S/FTP Cable Cat.5e / Cl. D, Stranded Wire, 100 m

21.15.0319 - 2

ROLINE S/FTP Cable Cat.5e / Cl. D, Stranded Wire, 300 m

21.15.0321 - 1





## VALUE / ROLINE UTP Cable Cat.6 / Cl. E



- Structured building cabling
- Impedance: 100 Ohm
- Colour: Grey
- Construction: 8 lines, copper, solid wire AWG24

**For a structured cabling system we recommend to use the following components:**

VALUE Cat.6 UTP Cable, Solid Wire, AWG24, 300 m: 21.99.0995  
 VALUE Cat.6 Surface Mount Wall Jack, unshielded, white: 25.99.8394  
 VALUE Cat.6 19" Patch Panel, 24 Ports, unshielded: 26.99.0351 (black), 26.99.0352 (grey)  
 VALUE Cat.6 UTP Patch Cord, grey, 5 m: 21.99.0905

Our in-house laboratory has tested this cable-plug combination, in a Channel of 100 meters, in compliance with Class E specifications.

**Note: Solid Wire - CPR Class E<sub>ca</sub>**

- Structured building cabling
- Impedance: 100 Ohm
- Colour: Grey
- Construction: 8 lines, copper, solid wire

ROLINE Cat.6 19" Patch Panel, 24 Ports, unshielded: 26.11.0355 (light grey), 26.11.0362 (black), ROLINE Cat.6 UTP Patch Cord, grey, 5 m: 21.15.0935.

This product combination has been measured in our own laboratory in the Channel of 100 meters, in compliance with Class E specifications

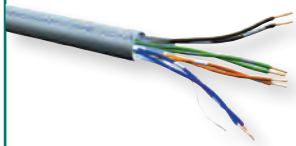
**Note: Solid Wire - CPR Class E<sub>ca</sub>**

**For a structured cabling system we recommend to use the following components:**  
 ROLINE Cat.6 UTP Cable, Solid Wire, AWG23: 21.15.0990 (100 m), 21.15.0991 (300 m)

ROLINE Cat.6 (Class E) Keystone Jack, RJ-45, UTP, tool-free, black 26.11.0352  
 ROLINE Cat.6 (Class E) Keystone Jack, RJ-45, UTP, tool-free, white 26.11.0353

**roline**  
 Designed for Professionals

**\* Halogenfree  
 Flame retardant  
 Low Smoke**



**Order-No. – P.U.**

|   |                |
|---|----------------|
| VALUE UTP Cable Cat.6 / Cl. E, Solid Wire, AWG24, 300 m | 21.99.0995 – 2 |
|---|----------------|

**Order-No. – P.U.**

|  |                |
|--|----------------|
| ROLINE UTP Cable Cat.6 / Cl. E, Solid Wire, AWG23, 100 m               | 21.15.0990 – 1 |
| ROLINE UTP Cable Cat.6 / Cl. E, Solid Wire, AWG23, 300 m               | 21.15.0991 – 1 |
| ROLINE UTP Cable Cat.6 / Cl. E, Stranded, AWG23, 300 m                 | 21.15.0992 – 1 |
| ROLINE UTP Cable Cat.6 / Cl. E, Solid Wire, AWG24, 300m, halogen-free* | 21.15.1789 – 1 |

## VALUE / ROLINE S/FTP (PiMF) Cable Cat.6 / Cl. E



- Structured building cabling
- Impedance: 100 Ohm
- Colour: Grey
- Construction:
  - 8 lines, solid copper wire, AWG23
  - pairs shielded with aluminium foil
  - complete shielding in tinned copper braid

**For a structured cabling system we recommend to use the following components:**

21.99.0892 VALUE S/FTP Cat.6/Class E solid wire installation cable  
 25.99.8392 VALUE Cat.6/Class E Surface box  
 26.99.0353/26.99.0354 VALUE Cat.6/Class E 19" Patch Panel, black/grey  
 21.99.0805 VALUE S/FTP Patch Cable Cat.6, 5m

This product combination has been measured in our own laboratory in the Channel of 100 meters, in compliance with Class E specifications

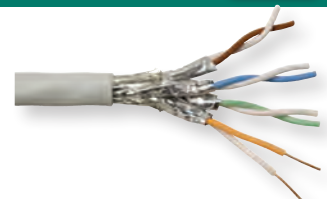
**Note: Solid Wire - CPR Class E<sub>ca</sub>**

- Structured building cabling
- Impedance: 100 Ohm
- Colour: Grey
- Construction:
  - 8 lines, solid copper wire, AWG23
  - pairs shielded with aluminium foil
  - complete shielding in tinned copper braid

**For a structured cabling system we recommend to use the following components:**

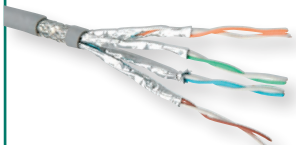
ROLINE Cat.6 S/FTP Cable, Solid Wire, AWG23: 21.15.0890 (100 m), 21.15.0891 (300 m)  
 ROLINE Cat.6 Surface Mount Wall Jack, shielded: 25.16.8392 (white)  
 ROLINE Cat.6 19" Patch Panel, 24 Ports, shielded: 26.11.0351 (light grey), 26.11.0361 (black),  
 ROLINE Cat.6 S/FTP Patch Cord, grey, 5 m: 21.15.0835.

**Note: Solid Wire - CPR Class E<sub>ca</sub>**



**roline**  
 Designed for Professionals

**\* Halogenfree  
 Flame retardant  
 Low Smoke**



**Order-No. – P.U.**

|   |                |
|---|----------------|
| VALUE S/FTP-(PiMF) Cable Cat.6 / Cl. E, Solid Wire, 300 m | 21.99.0892 – 1 |
|---|----------------|

**Order-No. – P.U.**

|  |                |
|--|----------------|
| ROLINE S/FTP-(PiMF) Cable Cat.6/Cl. E, Solid Wire, AWG 23, 100 m               | 21.15.0890 – 2 |
| ROLINE S/FTP-(PiMF) Cable Cat.6/Cl. E, Solid Wire, AWG 23, 300 m               | 21.15.0891 – 1 |
| ROLINE S/FTP-(PiMF) Cable Cat.6/Cl. E, Stranded, AWG 23, 300 m                 | 21.15.0892 – 1 |
| ROLINE S/FTP-(PiMF) Cable Cat.6/Cl. E, Solid Wire, AWG 23, 300m, halogen-free* | 21.15.1889 – 1 |

## VALUE / ROLINE UTP Cable Cat.6A / Cl. EA



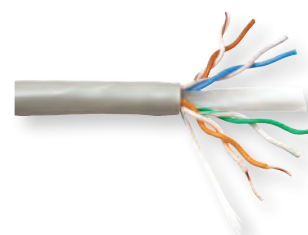
- Cable for structured building cabling
- 300 meter/box
- Impedance: 100 Ohm
- Construction:
  - 8 lines, solid copper wire
- Colour: grey

ROLINE Cat.6 Keystone, RJ45, unshielded: 26.11.0337  
 19" Keystone Patch Panel, 24 Ports, unshielded: 26.11.0358 (black)/26.11.0357 (grey)  
 VALUE Cat.6A UTP Patch Cord, grey, 5 m: 21.99.0875

**Note: Solid Wire - CPR Class E<sub>ca</sub>**

**For a structured unshielded cabling system Cat.6A we recommend to use the following components:**

VALUE Cat.6A UTP Cable, Solid Wire: 21.99.1685(300m)  
 Flush Mount Wall Jack for Keystones, 2-port: 25.16.8579



**Order-No. – P.U.**

|  |                |
|--|----------------|
| VALUE UTP Cable Cat.6A / Cl. EA, Solid Wire, 300 m | 21.99.1685 – 2 |
|--|----------------|

- Cables for structured building cabling, data rates up to 10 Gbit/s
- 100 or 300 meter/box
- Impedance: 100 Ohm
- Construction:- 8 lines, solid copper wire
- Colour: grey

Flush Mount Wall Jack for Keystones, 2-port: 25.16.8579  
 ROLINE Cat.6 Keystone, RJ45, unshielded: 26.11.0337  
 19" Keystone Patch Panel, 24 Ports, unshielded: 26.11.0356/26.11.0357  
 ROLINE Cat.6A UTP Patch Cord, grey, 5 m: 21.15.2705

**Note: Solid Wire - CPR Class E<sub>ca</sub>**

**For a structured unshielded cabling system Cat.6A we recommend to use the following components:**

ROLINE Cat.6A UTP Cable, Solid Wire: 21.15.1685(300m)

**roline**  
 Designed for Professionals

**Order-No. – P.U.**

|   |                |
|---|----------------|
| ROLINE UTP Cable Cat.6A / Cl. EA, Solid Wire, 100 m       | 21.15.1684 – 4 |
| ROLINE UTP Cable Cat.6A / Cl. EA, Solid Wire, LSOH, 100 m | 21.15.1686 – 4 |
| ROLINE UTP Cable Cat.6A / Cl. EA, Solid Wire, 300 m       | 21.15.1685 – 2 |
| ROLINE UTP Cable Cat.6A / Cl. EA, Solid Wire, LSOH, 300 m | 21.15.1687 – 2 |
| ROLINE UTP Cable Cat.6A / Cl. EA, Stranded, 300 m         | 21.15.1682 – 1 |

## VALUE S/FTP (PiMF) Cable Cat.6A / Cl. EA

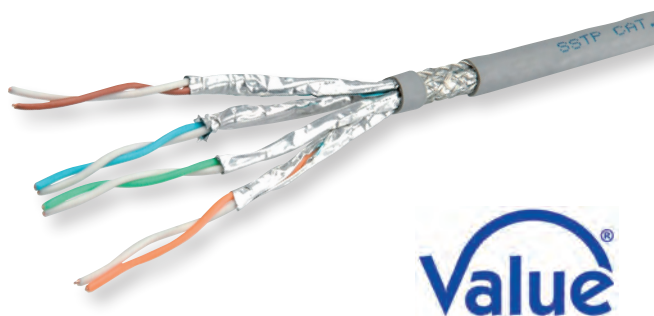
CPR Class E<sub>ca</sub>

- Cable for structured building cabling
- 300 meter / box
- Impedance: 100 Ohm
- Construction:
  - 8 lines, solid copper wire, AWG23
  - pairs shielded with aluminium foil
  - complete shielding in tinned copper braid
- Colour: grey

### For a structured Cat. 6A S/FTP Cabling we recommend to use the following components:

The following products combination has been tested:  
 21.99.0884 VALUE S/FTP Cable, Cat. 6A, Solid Wire  
 25.16.8484 Surface Wall Mount Frame  
 25.16.8579 Flush Mount Wall Outlet for Keystones, 2port  
 26.99.0366 VALUE Cat.6A Keystone, RJ-45, shielded, toolless  
 26.11.0359/.0360 Keystone 19" Module frame Cat.5/Cat.6/Cat.6A, 24 Ports, shielded grey/black  
 21.99.0865 VALUE S/FTP Patch Cord Cat.6A, grey, 5m

Note: Solid Wire - CPR Class E<sub>ca</sub>



Order-No. - P.U.

VALUE S/FTP (PiMF) Cable Cat.6A / Cl. EA, Solid Wire, 300 m 21.99.0884 - 1

## ROLINE S/FTP (PiMF) Cable Cat.6A / Cl. EA

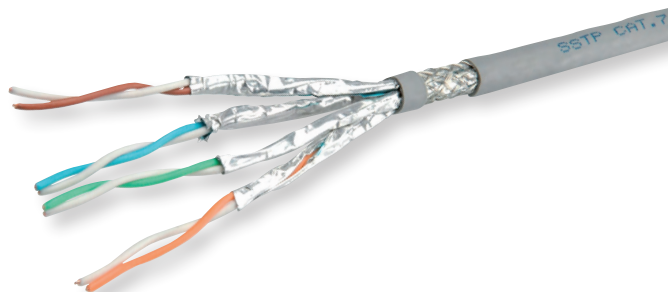
CPR Class E<sub>ca</sub>

- Cable for structured building cabling
- 300 meter / box ; 100 meter as coil
- Impedance: 100 Ohm
- Construction:
  - 8 lines, solid copper wire, AWG23
  - pairs shielded with aluminium foil
  - complete shielding in tinned copper braid
- Colour: grey

### For a structured Cat. 6A S/FTP Cabling we recommend to use the following components:

The following products combination has been tested:  
 21.15.0883 ROLINE S/FTP Cable, Cat. 6A, Solid Wire, AWG23  
 25.16.8579 Flush Mount Wall Outlet for Keystones, 2-port  
 26.11.0367 ROLINE Cat. 6A Keystone, RJ-45, Shielded, Silver  
 26.11.0359/.0360 ROLINE Patchpanel for Keystones 19", 24x  
 21.15.2805 ROLINE S/FTP Patch Cable Cat. 6A, Grey

Note: Solid Wire - CPR Class E<sub>ca</sub>



**roline**<sup>®</sup>  
Designed for Professionals

Halogenfree  
Flame retardant  
Low Smoke

Order-No. - P.U.

ROLINE S/FTP (PiMF) Cable Cat.6A / Cl. EA, Solid Wire, LSOH, 100 m 21.15.0883 - 4

ROLINE S/FTP (PiMF) Cable Cat.6A / Cl. EA, Solid Wire, LSOH, 300 m 21.15.0884 - 1

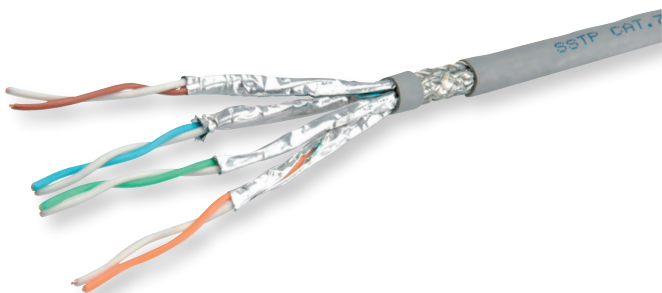
ROLINE S/FTP (PiMF) Cable Cat.6A / Cl. EA, Stranded, 300 m 21.15.0882 - 1

## ROLINE S/FTP (PiMF) Cable Cat.7 / Cl. F

CPR Class E<sub>ca</sub>

- Cable for structured building cabling
- Impedance: 100 Ohm
- 100 meter as coil / 300 meter as box
- 3P certified
- Construction: 8 lines, solid copper wire, AWG23 / Pairs shielded with aluminium foil / Complete shielding in copper braid

Note: Solid Wire - CPR Class E<sub>ca</sub>



**roline**<sup>®</sup>  
Designed for Professionals

Halogenfree  
Flame retardant  
Low Smoke

Order-No. - P.U.

ROLINE S/FTP (PiMF) Cable Cat.7 / Cl. F, Solid Wire, 100m 21.15.0001 - 5

ROLINE S/FTP (PiMF) Cable Cat.7 / Cl. F, Solid Wire, 300m 21.15.0003 - 1

ROLINE S/FTP (PiMF) Cable Cat.7 / Cl. F, Solid Wire, LSOH, 100 m 21.15.0002 - 2

ROLINE S/FTP (PiMF) Cable Cat.7 / Cl. F, Solid Wire, LSOH, 300 m 21.15.0004 - 1

## VALUE S/FTP Cable Cat.7 / Cl. F

CPR Class D<sub>ca</sub>

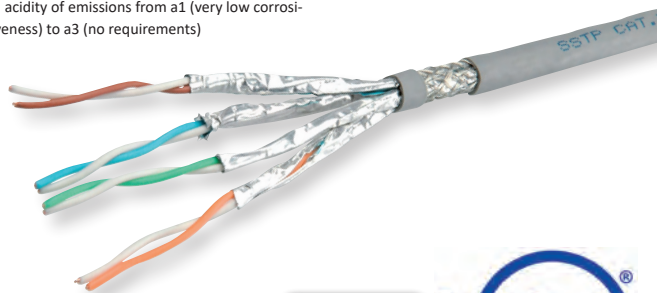
- Cable for structured building cabling
- 100 meter / box
- Impedance: 100 Ohm
- Construction:
  - 8 lines, solid copper wire, AWG23
  - pairs shielded with aluminium foil
  - complete shielding in tinned copper braid
- Colour: grey

### For a structured Cat. 6a S/FTP Cabling we recommend to use the following components:

The following products combination has been tested:  
 21.99.0886 VALUE S/FTP Cable, Cat. 7, Solid Wire  
 25.16.8484 Surface Wall Mount Frame  
 25.16.8579 Flush Mount Wall Outlet for Keystones, 2port  
 26.99.0366 VALUE Cat.6a Keystone, RJ-45, shielded, toolless  
 26.11.0359/.0360 Keystone 19" Module frame Cat.5/Cat.6/Cat.6a, 24 Ports, shielded grey/black  
 21.99.0865 VALUE S/FTP Patch Cord Cat.6a, grey, 5m

The Euroclass table defines seven different classes of performance (A<sub>ca</sub>, B1<sub>ca</sub>, B2<sub>ca</sub>, C<sub>ca</sub>, D<sub>ca</sub>, E<sub>ca</sub> and F<sub>ca</sub>) on the basis of their reaction to fire performance, such as heat emission and flame propagation. These are the main classification criteria, but additional criteria apply only to and are taken into account for classes B1<sub>ca</sub>, B2<sub>ca</sub>, C<sub>ca</sub> and D<sub>ca</sub> like:  
 - s: smoke production from s1a (visibility better than 80%) to s3 (very low visibility)  
 - d: flaming droplets from d0 (no flaming droplets) to d2 (no requirements)  
 - a: acidity of emissions from a1 (very low corrosiveness) to a3 (no requirements)

Note: Solid Wire - CPR Class D<sub>ca</sub>



Halogenfree  
Flame retardant  
Low Smoke



Order-No. - P.U.

VALUE S/FTP Cable Cat.7 / Cl. F (Class F), Solid Wire, DCA 21.99.0886 - 4

# TWISTED-PAIR-CABLES

## OVERVIEW

On the following pages we keep repeating the aspects described herein.

- Please pay attention in particular on the notes shielding, transmission quality and fire protection.
- You will find the corresponding buttons and logos, placed again at the various products.



### General Information

„Twisted pair“ is the English name for network cable with twisted or stranded wire pairs. Twisted pair cables provide a better protection against external alternating magnetic fields and electrostatic interference. Likewise, the crosstalk between adjacent pairs is reduced within the cable.

– The insulation of the wires as well as the sheath of the cable as a whole are often made of PVC, but now often made of a halogen-free low-smoke plastic mixture.

More on this in the section fire safety.

The copper wires of installing cables are made of solid wires while patch cables are made of stranded wires, usually produced with 7 individual wires.

– The diameter of the wires are defined in AWG. Solid wires typically have a thickness of 22 to 24 AWG, stranded wires AWG 24-27th

| AWG | Diameter |       | Cross section      |
|-----|----------|-------|--------------------|
|     | (inch)   | (mm)  | (mm <sup>2</sup> ) |
| 22  | 0.0253   | 0.644 | 0.326              |
| 23  | 0.0226   | 0.573 | 0.258              |
| 24  | 0.0201   | 0.511 | 0.205              |
| 25  | 0.0179   | 0.455 | 0.162              |
| 26  | 0.0159   | 0.405 | 0.129              |
| 27  | 0.0142   | 0.361 | 0.102              |

### Shielding

There are different approaches whether and how twisted-pair cables are being protect. In this case, significant differences in the quality of the cable are related to the intended use. Especially at higher transmission rates and for greater lengths shielded cables have a significantly better transmission quality.

- It is important that the decision is made consistently in terms of shielding for an installation.
- The following shielding types are within our product portfolio:

#### U / UTP (unscreened / unshielded twisted pair) or short-UTP:

- These cables have neither a common shield, nor an individual shield for each separate twisted pair.
- They have the lowest protection against electromagnetic influences.



U/UTP

#### F / UTP (Foiled / Unshielded Twisted Pair) or short FTP:

- The pairs are unshielded, the cable has a full shield aluminium-laminated foil that wraps all the pairs together.
- A version thereof is S / UTP (Screened / Unshielded Twisted Pair):
- The pairs are also unshielded, the overall shield consists of a tinned copper braid. The quality of this cable is much higher than for U / UTP cables.



F/UTP

#### SF / UTP (Foiled / Unshielded Twisted Pair) or simply S / FTP:

- The pairs are unshielded, there is an overall shield made of aluminium-laminated foil and also a tinned copper braid.
- The protective effect of this combination is again higher than with a simple shielding.



SF/UTP

#### S / FTP (screened / shielded twisted pair) or simply S / FTP:

- All wire pairs are shielded with aluminium laminated foil, and there is an overall shielding of a tinned copper braid.
- The paired shielding attenuates the disruption of the pairs („crosstalk“) considerably. The combination of foil and braid also has the highest possible protection against electromagnetic influences from outside.



S/FTP

### Quality

Twisted pair cable – as well as the associated components (e.g., junction boxes) – are classified according to transmission quality into classes or categories. Each class or category covers various requirements and quality standards. The concept of category (abbreviated „Cat.“) is mainly extracted from the American standardization (EIA / TIA), the class of the international (ISO / IEC) or from the European (EN).

– There is a distinction between data for individual parts or components (patch cables, connectors, installation cables, patch panels, etc.) and information for so-called links. Links can be used as a permanent link (Patch Panel + Installation + cable junction box) and as a channel (s. Figure above), which includes the patch cable.

– The class C to EA (corresponding categories 3 to 6A) are defined and valid. Class F (equivalent to Category 7) is defined, but the standardization is not further pursued. The FA class is currently in the process of standardization.

#### Two comments on it:

1. The Class EA (equivalent to Category 6A) was specified so that 10 Gigabit Ethernet can be transmitted.
  2. For classes from F (equivalent categories as of 7) the current state of RJ-45 due to the close contact assembly cannot meet the required specifications.
- If patch cables are still designated „Cat.7“, it is just because the cable (material) meets the requirements of Cat.7 – even the highest quality RJ-45 maximum fulfills Cat.6A.

– In order to achieve optimal performance from your network, all components (patch cables, connectors, installation cables, patch panels, etc.) of a link must support the same category or class.

– The component with the lowest performance determines the transmission class (Link Class) of the entire system. When using e.g. a Cat 5e cable with Cat. 6 connector components, the entire link still only fulfills Class D (Cat.5e).



| Category | Class | Max. Frequency | Application         |
|----------|-------|----------------|---------------------|
| 3        | C     | 16 MHz         | Fast Ethernet       |
| 5e       | D     | 100 MHz        | Gigabit Ethernet    |
| 6        | E     | 250 MHz        | Gigabit Ethernet    |
| 6A       | EA    | 500 MHz        | 10 Gigabit Ethernet |
| 7        | F     | 600 MHz        | 10 Gigabit Ethernet |
| 8        | G     | 2 GHz          | 40 Gigabit Ethernet |



# TWISTED-PAIR-CABLES

## OVERVIEW

### Fire protection: flame resistance, smoke-free, halogen-free

Particularly in large installations, it is important that attention is paid to the needs of fire protection. There are three important must-haves for the cable sheath and wire insulation. These properties are flame resistance, low-smoke and zero halogen.

#### Flame resistance:

– A cable is classified as flame retardant in accordance with IEC 60332, if it does not or only a specified short piece continues to burn, while the rest of the cable is set on fire for a long time.

#### Smoke poverty:

– The idea is that in case of fire not too much smoke may be released. To test the smoke poverty according to IEC 61034 cable pieces are placed in a chamber for a long time under fire and the light transmittance of the resulting smoke measured by photocell inside the chamber.

#### Halogen-free:

– The measurement of halogen-free is prescribed in IEC 60754. Halogens in the material on the one hand lead to combustion toxic fumes and on the other hand to the formation of corrosive or caustic acids.

#### LSOH:

– There is often also the name Low Smoke Zero Halogen (LSZH or LSOH) for the classification of cable material. In this case, although reference is made to smoke and zero halogen poverty, but not on the flame resistance.

Therefore, we call on the following pages individually the three properties described above.

**\* Halogenfree  
Flame retardant  
Low Smoke**

### Our products

Cat.5e

Cat.6

Cat.6A

Cat.7

Cat.8



#### VALUE Patchcords

VALUE has a budget patch cables product line with a very good price / performance ratio. Available in the Category 5e, 6, 6A and „7“ in various shielding types, lengths and colors. 1 year warranty!

#### ROLINE Patchcords

Quality makes the difference!

ROLINE offers a wide range of high quality patch cables with reserves in the transmission quality even in critical environments.

Available in the Category 5e, 6, 6A, „7“ and 8 in various shielding types, lengths and colors. 2 years warranty!

### Category 8 Cabling

DATA CENTER  
Product

Cat.8  
Class I

S/FTP

**The demand of bandwidth continues to increase, and most of the existing network cable infrastructures in data centers, which were designed earlier for an intended lifespan of more than 15 years, must face today's challenges and future requirements, which are often unpredictable.**

Under these circumstances, the new standard Category 8 cabling has been developed and approved by TIA to provide numerous benefits for data centers looking to seamlessly add bandwidth for Ethernet.

Category 8, the standard for next-generation twisted-pair cabling specifications, allows the transport data up to four times faster on the same type of cabling already being used, supporting 25GBASE-T and 40GBASE-T applications for short distances (up to 30 meters) for switch-to-server connections (primarily in top-of-rack or end-of-row topologies)

#### The advantages of Category 8 cabling:

- Category 8 offers four times the bandwidth of Category 6A cabling, with internal impairments specified up to 2 GHz
- Category 8 cables are shielded, though shielded cabling systems must be grounded, this is also not an issue in most data centers, since the connections are closer together. Shielding problems like ground loops can typically be avoided when both ends of the channel are in the same room and nearby
- Category 8 connectors use the familiar RJ45 interface. The jacks require proper grounding to the cable and to the device they are installed into (patch panel or outlet), therefore they are designed for field termination
- Category 8 number of connectors is limited to two connectors in the copper channel (excluding connections on end equipment), this is typically adequate in a data center environment and many common enterprise links.
- Maximum reach: 30 meter of channel (maximum 24m link cable + 2x 3m patch cable)

| Category | ISO Channel Class | Maximum Bandwidth | Maximum Ethernet Data Rate | Cabling System         | Connector Type                                |
|----------|-------------------|-------------------|----------------------------|------------------------|---|
| 6        | E                 | 250 MHz           | 1000 Mbit/s                | Unshielded or shielded | RJ45  |
| 6A       | EA                | 500 MHz           | 10 Gbit/s                  | Unshielded or shielded | RJ45  |
| 7*       | F                 | 600 MHz           | 10 Gbit/s                  | Shielded only          | Non-RJ45 (IEC 60603-7-71 and IEC 61076-3-104) |
| 7A*      | FA                | 1000 MHz          | 10 Gbit/s                  | Shielded only          | Non-RJ45 (IEC 60603-7-71 and IEC 61076-3-104) |
| 8        | 8.I and 8.II      | 2000 MHz          | 25 Gbit/s / 40 Gbit/s      | Shielded only          | Cat.8.1 RJ45 / Cat.8.2 Non-RJ45               |

\* Category 7 and 7A are not recognized by ANSI/TIA-568-C.2

## ROLINE UTP Patch Cord Cat.5e / Cl. D, Retractable

Cat.5e  
Class D U/UTP

- For a fast network connection without any cable hassle, ideal for travellers
- Flat cable with two unshielded RJ-45 connectors
- In housing with auto-roll-extender, stretches out to a total length of 2 m
- Length scales in inches and centimetres printed on cable
- Cable colour: Black



**roline**<sup>®</sup>  
Designed for Professionals

Order-No. – P.U.

ROLINE UTP Patch Cord Cat.5e / Cl. D, black, 2.0 m, Retractable 21.15.0591 – 20

## VALUE UTP Patch Cord Cat.5e / Cl. D

Cat.5e  
Class D U/UTP

- Prepared cable with unshielded RJ-45 plug on both ends (without coding) incl. kink protection.
- Connection cable for structured building cabling.
- Impedance: 100 Ohm.
- Contact settings 1:1 in accordance with EIA / TIA 568, 8 lines.
- Construction: internal line 8 wires



Order-No. – P.U.

|   |                  |
|---|------------------|
| VALUE UTP Patch Cord Cat.5e / Cl. D, grey, 0.5 m  | 21.99.0500 – 250 |
| VALUE UTP Patch Cord Cat.5e / Cl. D, grey, 1.0 m  | 21.99.0501 – 200 |
| VALUE UTP Patch Cord Cat.5e / Cl. D, grey, 2.0 m  | 21.99.0502 – 150 |
| VALUE UTP Patch Cord Cat.5e / Cl. D, grey, 3.0 m  | 21.99.0503 – 100 |
| VALUE UTP Patch Cord Cat.5e / Cl. D, grey, 5.0 m  | 21.99.0505 – 70  |
| VALUE UTP Patch Cord Cat.5e / Cl. D, grey, 7.0 m  | 21.99.0507 – 50  |
| VALUE UTP Patch Cord Cat.5e / Cl. D, grey, 10.0 m | 21.99.0510 – 40  |
| VALUE UTP Patch Cord Cat.5e / Cl. D, grey, 15.0 m | 21.99.0515 – 25  |
| VALUE UTP Patch Cord Cat.5e / Cl. D, grey, 20.0 m | 21.99.0520 – 20  |

**Value**<sup>®</sup>



## ROLINE UTP Patch Cord Cat.5e / Cl. D

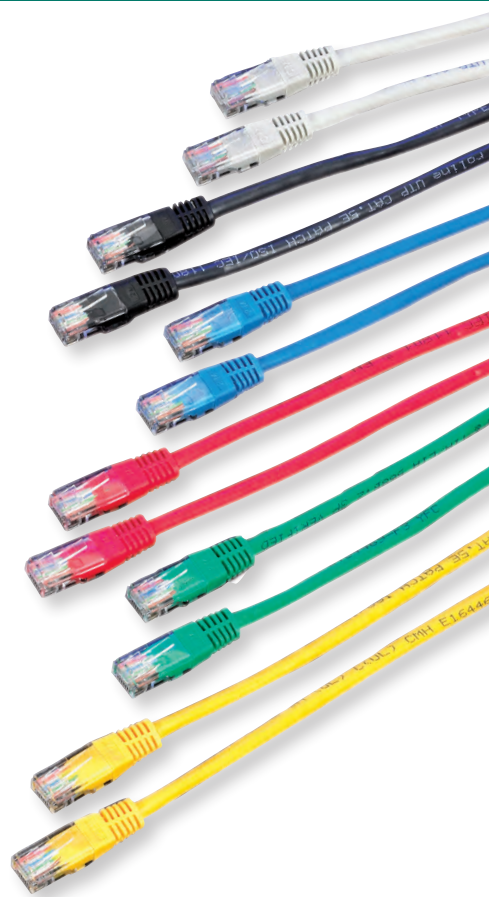
Cat.5e  
Class D U/UTP

- Patch cable for networking connections between devices.
- Prepared unshielded Twisted Pair cable with RJ-45 connectors on both ends. Durable due to moulded kink protection.
- Flexible cable, suitable for narrow bending. High quality plugs with gold plated contacts.
- Contact settings 1:1, in accordance with the EIA/TIA 568 standard.
- Construction: 4-pair stranded copper wire.

**roline**<sup>®</sup>  
Designed for Professionals



| Length | grey       | red        | yellow     | green      | blue       | black      | – P.U. |
|--------|------------|------------|------------|------------|------------|------------|--------|
| 0.5 m  | 21.15.0500 | 21.15.0521 | 21.15.0522 | 21.15.0523 | 21.15.0524 | 21.15.0525 | – 100  |
| 1 m    | 21.15.0501 | 21.15.0531 | 21.15.0532 | 21.15.0533 | 21.15.0534 | 21.15.0535 | – 100  |
| 2 m    | 21.15.0502 | 21.15.0541 | 21.15.0542 | 21.15.0543 | 21.15.0544 | 21.15.0545 | – 100  |
| 3 m    | 21.15.0503 | 21.15.0551 | 21.15.0552 | 21.15.0553 | 21.15.0554 | 21.15.0555 | – 50   |
| 5 m    | 21.15.0505 | 21.15.0561 | 21.15.0562 | 21.15.0563 | 21.15.0564 | 21.15.0565 | – 50   |
| 7 m    | 21.15.0507 | –          | –          | –          | –          | –          | – 50   |
| 10 m   | 21.15.0510 | –          | –          | –          | –          | –          | – 40   |
| 15 m   | 21.15.0515 | –          | –          | –          | –          | –          | – 30   |
| 20 m   | 21.15.0519 | –          | –          | –          | –          | –          | – 20   |

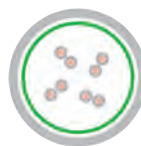


## VALUE FTP Patch Cord Cat.5e / Cl. D

Cat.5e  
Class D

F/UTP

- Prepared cable with screened RJ-45 plug on both ends (without coding) incl. kink protection.
- Connection cable for structured building cabling.
- Impedance: 100 Ohm.
- Contact settings 1:1 in accordance with EIA / TIA 568, 8 lines.
- Construction: Internal line 8 wires. Complete screening: aluminium laminated foil
- Colour: grey



**Value**<sup>®</sup>

**Order-No. – P.U.**

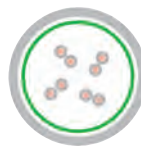
|   |                  |
|---|------------------|
| VALUE FTP Patch Cord Cat.5e / Cl. D, grey, 0.5 m  | 21.99.0100 – 250 |
| VALUE FTP Patch Cord Cat.5e / Cl. D, grey, 1.0 m  | 21.99.0101 – 200 |
| VALUE FTP Patch Cord Cat.5e / Cl. D, grey, 2.0 m  | 21.99.0102 – 150 |
| VALUE FTP Patch Cord Cat.5e / Cl. D, grey, 3.0 m  | 21.99.0103 – 100 |
| VALUE FTP Patch Cord Cat.5e / Cl. D, grey, 5.0 m  | 21.99.0105 – 70  |
| VALUE FTP Patch Cord Cat.5e / Cl. D, grey, 7.0 m  | 21.99.0107 – 50  |
| VALUE FTP Patch Cord Cat.5e / Cl. D, grey, 10.0 m | 21.99.0110 – 40  |
| VALUE FTP Patch Cord Cat.5e / Cl. D, grey, 15.0 m | 21.99.0115 – 25  |
| VALUE FTP Patch Cord Cat.5e / Cl. D, grey, 20.0 m | 21.99.0120 – 20  |

## ROLINE FTP Patch Cord Cat.5e / Cl. D, crossover

Cat.5e  
Class D

F/UTP

- Prepared cable with shielded RJ-45 connectors on both ends, incl. kink protection
- Crossed version for special applications such as the cascading of hubs/switches or for the direct connection between two PCs
- Construction: 8 wires copper; complete shielding aluminium laminated foil
- Colours (cable and connectors): Grey



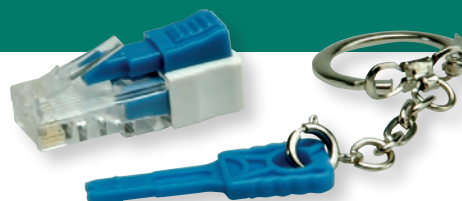
**roline**<sup>®</sup>  
Designed for Professionals

**Order-No. – P.U.**

|  |                 |
|--|-----------------|
| ROLINE FTP Patch Cord Cat.5e / Cl. D, crossover, grey, 3 m | 21.15.0203 – 50 |
|--|-----------------|

## ROLINE Lockable RJ45 Plug with Key

- Provides a cost effective solution to secure an exposed network jack by restricting access from an unauthorized user with an endpoint device like network switch, router and server
- For blocking unused ports on a switch to prevent unauthorized access
- To prevent damage of an upgrade port on a wide range of devices
- Snaps securely into any industry-standard RJ45 port, physically restricting and blocking cord access to unauthorized users and to prevent tampering, such as the insertion of a foreign object into the jack



**roline**<sup>®</sup>  
Designed for Professionals

**Order-No. – P.U.**

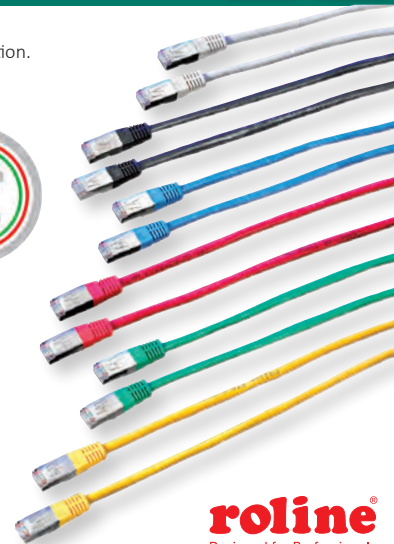
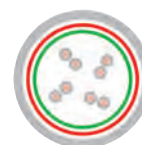
|                                    |                 |
|------------------------------------|-----------------|
| ROLINE Lockable RJ45 Plug with Key | 21.17.3067 – 10 |
|------------------------------------|-----------------|

## ROLINE S/FTP Patch Cord Cat.5e / Cl. D

Cat.5e  
Class D

SF/UTP

- Patch cable for networking connections between devices.
- Prepared double shielded Twisted Pair cable with screened RJ-45 connectors on both ends. Durable due to moulded kink protection.
- Flexible cable, suitable for narrow bending. High quality plugs with gold plated contacts.
- Contact settings 1:1, in accordance with the EIA/TIA 568 standard.
- Construction: 4-pair stranded copper wire.
- Complete braid shielding and aluminium clad polyester foil.



**roline**<sup>®</sup>  
Designed for Professionals

| Length | grey       | red        | yellow     | green      | blue       | black      | – P.U. |
|--------|------------|------------|------------|------------|------------|------------|--------|
| 0.5 m  | 21.15.0300 | 21.15.0381 | 21.15.0382 | 21.15.0383 | 21.15.0384 | 21.15.0385 | – 100  |
| 1 m    | 21.15.0301 | 21.15.0331 | 21.15.0332 | 21.15.0333 | 21.15.0334 | 21.15.0335 | – 100  |
| 2 m    | 21.15.0302 | 21.15.0341 | 21.15.0342 | 21.15.0343 | 21.15.0344 | 21.15.0345 | – 100  |
| 3 m    | 21.15.0303 | 21.15.0351 | 21.15.0352 | 21.15.0353 | 21.15.0354 | 21.15.0355 | – 50   |
| 5 m    | 21.15.0305 | 21.15.0361 | 21.15.0362 | 21.15.0363 | 21.15.0364 | 21.15.0365 | – 50   |
| 7 m    | 21.15.0307 | –          | –          | –          | –          | –          | – 50   |
| 10 m   | 21.15.0310 | –          | –          | –          | –          | –          | – 40   |
| 15 m   | 21.15.0315 | –          | –          | –          | –          | –          | – 30   |
| 20 m   | 21.15.0320 | –          | –          | –          | –          | –          | – 20   |



## VALUE UTP Patch Cord, Cat.6 / Cl. E

Cat.6  
Class E

U/UTP

- Patch cable for networking connections between devices.
- Prepared unshielded Twisted Pair cable with RJ-45 connectors on both ends.
- Durable due to moulded kink protection.
- Flexible cable, suitable for narrow bending.
- Plugs with gold plated contacts.
- Contact settings 1:1, in accordance with the EIA/TIA 568 standard
- Construction: 4-pair stranded wire.

**For a structured cabling system we recommend to use the following components:**

VALUE Cat.6 UTP Cable, Solid Wire, AWG24, 300 m: 21.99.0995.  
 VALUE Cat.6 Surface Mount Wall Jack, unshielded, white: 25.99.8394;  
 VALUE Cat.6 19" Patch Panel, 24 Ports, unshielded:  
 26.99.0362 (black); 26.99.0355 (lgrey)  
 VALUE Cat.6 UTP Patch Cord, grey, 5 m: 21.99.0905.

Our in-house laboratory has tested this cable-plug combination, in a Channel of 100 meters, in compliance with Class E specifications.

| Length | grey       | red        | yellow     | green      | blue       | black      | white      | - P.U. |
|--------|------------|------------|------------|------------|------------|------------|------------|--------|
| 0.5 m  | 21.99.0900 | 21.99.1521 | 21.99.1522 | 21.99.1523 | 21.99.1524 | 21.99.1525 | 21.99.1526 | - 250  |
| 1 m    | 21.99.0901 | 21.99.1531 | 21.99.1532 | 21.99.1533 | 21.99.1534 | 21.99.1535 | 21.99.1536 | - 200  |
| 1.5 m  | 21.99.0950 | 21.99.0951 | 21.99.0952 | 21.99.0953 | 21.99.0954 | 21.99.0955 | 21.99.0956 | - 150  |
| 2 m    | 21.99.0902 | 21.99.1541 | 21.99.1542 | 21.99.1543 | 21.99.1544 | 21.99.1545 | 21.99.1546 | - 150  |
| 3 m    | 21.99.0903 | 21.99.1551 | 21.99.1552 | 21.99.1553 | 21.99.1554 | 21.99.1555 | 21.99.1556 | - 100  |
| 5 m    | 21.99.0905 | 21.99.1561 | 21.99.1562 | 21.99.1563 | 21.99.1564 | 21.99.1565 | 21.99.1566 | - 70   |
| 7 m    | 21.99.0907 | 21.99.1571 | 21.99.1572 | 21.99.1573 | 21.99.1574 | 21.99.1575 | 21.99.1576 | - 50   |
| 10 m   | 21.99.0910 | 21.99.1581 | 21.99.1582 | 21.99.1583 | 21.99.1584 | 21.99.1585 | 21.99.1586 | - 40   |

## VALUE UTP Cable Cat.6 / Cl. E, halogen-free

Cat.6  
Class E

U/UTP

- Patch cable for networking connections between devices.
- Prepared unshielded Twisted Pair cable with RJ-45 connectors on both ends.
- Durable due to moulded kink protection.
- Flexible cable, suitable for narrow bending.
- High quality plugs with gold plated contacts.
- Contact settings 1:1, in accordance with the EIA/TIA 568 standard
- Construction: 4-pair stranded wire
- Halogen-free, flame retardant, low smoke.

**For a structured halogen-free cabling system we recommend to use the following components:**

ROLINE Cat.6 UTP Cable, Solid Wire, LSOH, 300 m: 21.15.1789  
 VALUE Cat.6 Surface Mount Wall Jack, unshielded, white: 25.99.8394  
 VALUE Cat.6 19" Patch Panel, 24 Ports, unshielded:  
 26.99.0362 (black); 26.99.0355 (lgrey)  
 VALUE Cat.6 UTP Patch Cord, grey, LSOH: 21.99.0205

Our in-house laboratory has tested this cable-plug combination, in a Channel of 100 meters, in compliance with Class E specifications.

| Length | grey       | red        | yellow     | green      | blue       | black      | white      | - P.U. |
|--------|------------|------------|------------|------------|------------|------------|------------|--------|
| 0.5 m  | 21.99.0200 | 21.99.1021 | 21.99.1022 | 21.99.1023 | 21.99.1024 | 21.99.1025 | 21.99.1026 | - 250  |
| 1 m    | 21.99.0201 | 21.99.1031 | 21.99.1032 | 21.99.1033 | 21.99.1034 | 21.99.1035 | 21.99.1036 | - 200  |
| 1.5 m  | 21.99.0250 | 21.99.0251 | 21.99.0252 | 21.99.0253 | 21.99.0254 | 21.99.0255 | 21.99.0256 | - 150  |
| 2 m    | 21.99.0202 | 21.99.1041 | 21.99.1042 | 21.99.1043 | 21.99.1044 | 21.99.1045 | 21.99.1046 | - 150  |
| 3 m    | 21.99.0203 | 21.99.1051 | 21.99.1052 | 21.99.1053 | 21.99.1054 | 21.99.1055 | 21.99.1056 | - 100  |
| 5 m    | 21.99.0205 | 21.99.1061 | 21.99.1062 | 21.99.1063 | 21.99.1064 | 21.99.1065 | 21.99.1066 | - 70   |
| 7 m    | 21.99.0207 | 21.99.1071 | 21.99.1072 | 21.99.1073 | 21.99.1074 | 21.99.1075 | 21.99.1076 | - 50   |
| 10 m   | 21.99.0210 | 21.99.1081 | 21.99.1082 | 21.99.1083 | 21.99.1084 | 21.99.1085 | 21.99.1086 | - 40   |

**ROLINE UTP Patch Cord, Cat.6 / Cl. E**

Cat.6  
Class E

U/UTP

- Patch cable for networking connections between devices. Prepared unshielded Twisted Pair cable with RJ-45 connectors on both ends.
- Durable due to moulded kink protection.
- Flexible cable, suitable for narrow bending.
- High quality plugs with gold plated contacts.
- Contact settings 1:1, in accordance with the EIA/TIA 568 standard.
- Construction: 4-pair stranded copper wire.



**roline**<sup>®</sup>  
Designed for Professionals

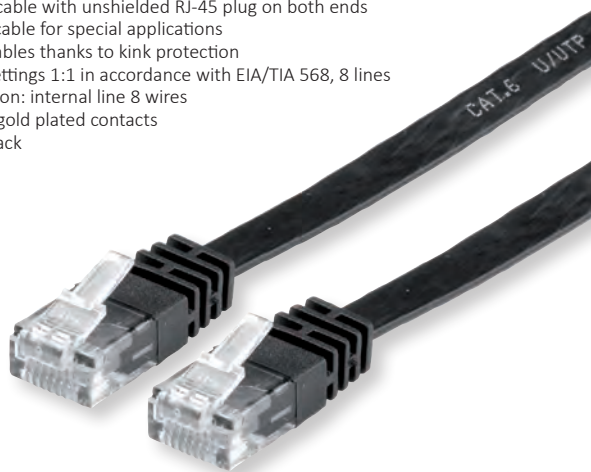
| Length | grey       | red        | yellow     | green      | blue       | black      | white      | orange     | - P.U. |
|--------|------------|------------|------------|------------|------------|------------|------------|------------|--------|
| 0.3 m  | 21.15.1510 | 21.15.1511 | 21.15.1512 | 21.15.1513 | 21.15.1514 | 21.15.1515 | 21.15.1516 | 21.15.1517 | - 50   |
| 0.5 m  | 21.15.0930 | 21.15.1521 | 21.15.1522 | 21.15.1523 | 21.15.1524 | 21.15.1525 | 21.15.1526 | 21.15.1527 | - 100  |
| 1 m    | 21.15.0931 | 21.15.1531 | 21.15.1532 | 21.15.1533 | 21.15.1534 | 21.15.1535 | 21.15.1536 | 21.15.1537 | - 100  |
| 1.5 m  | 21.15.0923 | 21.15.0924 | 21.15.0925 | 21.15.0926 | 21.15.0927 | 21.15.0928 | 21.15.0929 | 21.15.0921 | - 100  |
| 2 m    | 21.15.0932 | 21.15.1541 | 21.15.1542 | 21.15.1543 | 21.15.1544 | 21.15.1545 | 21.15.1546 | 21.15.1547 | - 100  |
| 3 m    | 21.15.0933 | 21.15.1551 | 21.15.1552 | 21.15.1553 | 21.15.1554 | 21.15.1555 | 21.15.1556 | 21.15.1557 | - 50   |
| 5 m    | 21.15.0935 | 21.15.1561 | 21.15.1562 | 21.15.1563 | 21.15.1564 | 21.15.1565 | 21.15.1566 | 21.15.1567 | - 50   |
| 7 m    | 21.15.0937 | —          | —          | —          | —          | —          | —          | —          | - 50   |
| 10 m   | 21.15.0940 | —          | —          | —          | —          | —          | —          | —          | - 40   |
| 15 m   | 21.15.0945 | —          | —          | —          | —          | —          | —          | —          | - 30   |
| 20 m   | 21.15.0950 | —          | —          | —          | —          | —          | —          | —          | - 20   |

**VALUE UTP Patch Cord, Cat.6 / Cl. E**

Cat.6  
Class E

U/UTP

- Prepared cable with unshielded RJ-45 plug on both ends
- Extra flat cable for special applications
- Durable cables thanks to kink protection
- Contact settings 1:1 in accordance with EIA/TIA 568, 8 lines
- Construction: internal line 8 wires
- Plug with gold plated contacts
- Colour: black



**Value**<sup>®</sup>



Order-No. - P.U.

|   |                 |
|---|-----------------|
| VALUE UTP Patch Cord, Cat.6 / Cl. E, extra-flat, black, 0.5 m | 21.99.0960 - 40 |
| VALUE UTP Patch Cord, Cat.6 / Cl. E, extra-flat, black, 1.0 m | 21.99.0961 - 40 |
| VALUE UTP Patch Cord, Cat.6 / Cl. E, extra-flat, black, 1.5 m | 21.99.0964 - 40 |
| VALUE UTP Patch Cord, Cat.6 / Cl. E, extra-flat, black, 2.0 m | 21.99.0962 - 40 |
| VALUE UTP Patch Cord, Cat.6 / Cl. E, extra-flat, black, 3.0 m | 21.99.0963 - 40 |
| VALUE UTP Patch Cord, Cat.6 / Cl. E, extra-flat, black, 5.0 m | 21.99.0965 - 40 |

**VALUE FTP Patch Cord, Cat.6 / Cl. E**

Cat.6  
Class E

U/FTP

- Prepared cable with shielded RJ-45 plug on both ends
- Durable cables thanks to kink protection
- Extra flat cable for special applications
- Contact settings 1:1 in accordance with EIA/TIA 568, 8 lines
- Construction: internal line 8 wires, pairs shielded with aluminium clad foil
- Plug with gold plated contacts
- Colour: black



**Value**<sup>®</sup>



Order-No. - P.U.

|   |                 |
|---|-----------------|
| VALUE FTP Patch Cord, Cat.6 / Cl. E, extra-flat, black, 0.5 m | 21.99.0970 - 40 |
| VALUE FTP Patch Cord, Cat.6 / Cl. E, extra-flat, black, 1.0 m | 21.99.0971 - 40 |
| VALUE FTP Patch Cord, Cat.6 / Cl. E, extra-flat, black, 1.5 m | 21.99.0974 - 40 |
| VALUE FTP Patch Cord, Cat.6 / Cl. E, extra-flat, black, 2.0 m | 21.99.0972 - 40 |
| VALUE FTP Patch Cord, Cat.6 / Cl. E, extra-flat, black, 3.0 m | 21.99.0973 - 40 |
| VALUE FTP Patch Cord, Cat.6 / Cl. E, extra-flat, black, 5.0 m | 21.99.0975 - 40 |

## VALUE S/FTP (PiMF) Patch Cord, Cat.6 / Cl. E

Cat.6  
Class E

S/FTP

- Prepared shielded Twisted Pair cable with RJ-45 connectors on both sides. Used as patch cable in wiring cabinet or as direct connection cable between devices.
- Flexible cable suitable for narrow bending.
- Contact settings 1:1, according to EIA/TIA 568, 8 wires.
- Construction: 8 wires stranded copper wire, braid shield. Pairs shielded with aluminium clad polyester foil.
- Impedance: 100 Ohm

**For a structured cabling system we recommend to use the following components:**

ROLINE Cat.6 S/FTP Cable, Solid Wire, AWG23: 21.15.0890 (100 m), 21.15.0891 (300 m).

VALUE Cat.6 Surface Mount Wall Jack, shielded, white: 25.99.8392

VALUE Cat.6 19" Patch Panel, 24 Ports, shielded: 26.99.0353 (black), 26.99.0354 (grey).

VALUE Cat.6 S/FTP Patch Cord, grey, 5 m: 21.99.0805.

Our in-house laboratory has tested this cable-plug combination, in a Channel of 100 meters, in compliance with Class E specifications.



| Length | grey       | red        | yellow     | green      | blue       | black      | white      | - P.U. |
|--------|------------|------------|------------|------------|------------|------------|------------|--------|
| 0.5 m  | 21.99.0800 | 21.99.1321 | 21.99.1322 | 21.99.1323 | 21.99.1324 | 21.99.1325 | 21.99.1326 | - 250  |
| 1 m    | 21.99.0801 | 21.99.1331 | 21.99.1332 | 21.99.1333 | 21.99.1334 | 21.99.1335 | 21.99.1336 | - 200  |
| 1.5 m  | 21.99.0811 | 21.99.0812 | 21.99.0813 | 21.99.0814 | 21.99.0815 | 21.99.0816 | 21.99.0817 | - 150  |
| 2 m    | 21.99.0802 | 21.99.1341 | 21.99.1342 | 21.99.1343 | 21.99.1344 | 21.99.1345 | 21.99.1346 | - 150  |
| 3 m    | 21.99.0803 | 21.99.1351 | 21.99.1352 | 21.99.1353 | 21.99.1354 | 21.99.1355 | 21.99.1356 | - 100  |
| 5 m    | 21.99.0805 | 21.99.1361 | 21.99.1362 | 21.99.1363 | 21.99.1364 | 21.99.1365 | 21.99.1366 | - 70   |
| 7 m    | 21.99.0807 | 21.99.1371 | 21.99.1372 | 21.99.1373 | 21.99.1374 | 21.99.1375 | 21.99.1376 | - 50   |
| 10 m   | 21.99.0810 | 21.99.1381 | 21.99.1382 | 21.99.1383 | 21.99.1384 | 21.99.1385 | 21.99.1386 | - 40   |

## VALUE S/FTP (PiMF) Patch Cord Cat.6 / Cl. E, halogen-free

Cat.6  
Class E

S/FTP

- Prepared shielded Twisted Pair cable with RJ-45 connectors on both sides. Used as patch cable in wiring cabinet or as direct connection cable between devices.
- Flexible cable suitable for narrow bending.
- Contact settings 1:1, according to EIA/TIA 568, 8 wires.
- Construction: 8 wires stranded copper wire, braid shield. Pairs shielded with aluminium clad polyester foil.
- Impedance:100 Ohm.
- Cable jacketing: LSOH- Low Smoke Zero Halogen - cable emits limited smoke and no halogens when exposed to high sources of heat.

**For a structured cabling system we recommend to use the following components:**

ROLINE Cat.6 S/FTP Cable, Solid Wire, LSOH: 21.15.1889.

VALUE Cat.6 Surface Mount Wall Jack, shielded, white: 25.99.8392.

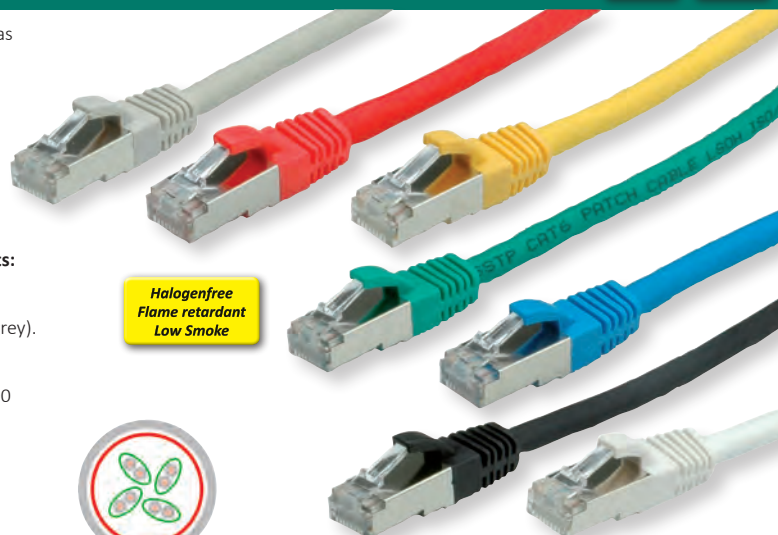
VALUE Cat.6 19" Patch Panel, 24 Ports, shielded: 26.99.0353 (black), 26.99.0354 (grey).

VALUE Cat.6 S/FTP Patch Cord, LSOH, grey, 5 m: 21.99.0705.

Our in-house laboratory has tested this cable-plug combination, in a Channel of 100 meters, in compliance with Class E specifications.



Halogenfree  
Flame retardant  
Low Smoke



| Length | grey       | red        | yellow     | green      | blue       | black      | white      | - P.U. |
|--------|------------|------------|------------|------------|------------|------------|------------|--------|
| 0.5 m  | 21.99.0700 | 21.99.1221 | 21.99.1222 | 21.99.1223 | 21.99.1224 | 21.99.1225 | 21.99.1226 | - 250  |
| 1 m    | 21.99.0701 | 21.99.1231 | 21.99.1232 | 21.99.1233 | 21.99.1234 | 21.99.1235 | 21.99.1236 | - 200  |
| 1.5 m  | 21.99.0711 | 21.99.0712 | 21.99.0713 | 21.99.0714 | 21.99.0715 | 21.99.0716 | 21.99.0717 | - 150  |
| 2 m    | 21.99.0702 | 21.99.1241 | 21.99.1242 | 21.99.1243 | 21.99.1244 | 21.99.1245 | 21.99.1246 | - 150  |
| 3 m    | 21.99.0703 | 21.99.1251 | 21.99.1252 | 21.99.1253 | 21.99.1254 | 21.99.1255 | 21.99.1256 | - 100  |
| 5 m    | 21.99.0705 | 21.99.1261 | 21.99.1262 | 21.99.1263 | 21.99.1264 | 21.99.1265 | 21.99.1266 | - 70   |
| 7 m    | 21.99.0707 | 21.99.1271 | 21.99.1272 | 21.99.1273 | 21.99.1274 | 21.99.1275 | 21.99.1276 | - 50   |
| 10 m   | 21.99.0710 | 21.99.1281 | 21.99.1282 | 21.99.1283 | 21.99.1284 | 21.99.1285 | 21.99.1286 | - 40   |



## ROLINE S/FTP (PiMF) Patch Cord, Cat.6 / Class E

Cat.6  
Class E

S/FTP

- Patch cable for networking connections between devices. Prepared double shielded Twisted Pair cable with screened RJ-45 connectors on both ends.
- Durable due to moulded kink protection. Flexible cable, suitable for narrow bending.
- High quality plugs with gold plated contacts.
- Contact settings 1:1, in accordance with the EIA/TIA 568 standard.
- Construction: 4-pair stranded copper wire.
- Complete braid shielding. Pairs shielded with aluminium clad polyester foil.



### For a structured cabling system we recommend to use the following components:

ROLINE Cat.6 S/FTP Cable, Solid Wire, AWG23: 21.15.0890 (100 m), 21.15.0891 (300 m);  
ROLINE Cat.6 Surface Mount Wall Jack, shielded: 25.16.8392 (white);  
ROLINE Cat.6 19" Patch Panel, 24 Ports, shielded: 26.11.0351 (light grey), 26.11.0361 (black);  
ROLINE Cat.6 S/FTP Patch Cord, grey, 5 m: 21.15.0835.

The accredited German laboratory GHMT has tested and certified this product combination, in a Channel of 100 meters, as being compliant to Class E specifications; certificate no. z2364b-10-E.



**roline**<sup>®</sup>  
Designed for Professionals

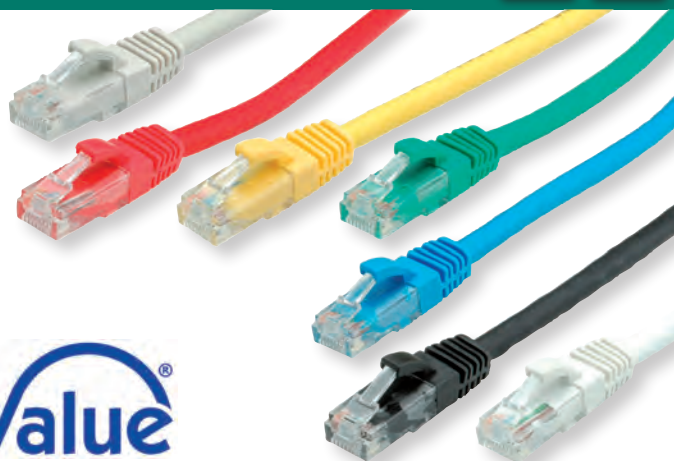
| Length | grey       | red        | yellow     | green      | blue       | black      | white      | orange     | - P.U. |
|--------|------------|------------|------------|------------|------------|------------|------------|------------|--------|
| 0.3 m  | 21.15.1310 | 21.15.1311 | 21.15.1312 | 21.15.1313 | 21.15.1314 | 21.15.1315 | 21.15.1316 | 21.15.1317 | - 50   |
| 0.5 m  | 21.15.0830 | 21.15.1321 | 21.15.1322 | 21.15.1323 | 21.15.1324 | 21.15.1325 | 21.15.1326 | 21.15.1327 | - 100  |
| 1 m    | 21.15.0831 | 21.15.1331 | 21.15.1332 | 21.15.1333 | 21.15.1334 | 21.15.1335 | 21.15.1336 | 21.15.1337 | - 100  |
| 1.5 m  | 21.15.0823 | 21.15.0824 | 21.15.0825 | 21.15.0826 | 21.15.0827 | 21.15.0828 | 21.15.0829 | 21.15.0821 | - 100  |
| 2 m    | 21.15.0832 | 21.15.1341 | 21.15.1342 | 21.15.1343 | 21.15.1344 | 21.15.1345 | 21.15.1346 | 21.15.1347 | - 100  |
| 3 m    | 21.15.0833 | 21.15.1351 | 21.15.1352 | 21.15.1353 | 21.15.1354 | 21.15.1355 | 21.15.1356 | 21.15.1357 | - 50   |
| 5 m    | 21.15.0835 | 21.15.1361 | 21.15.1362 | 21.15.1363 | 21.15.1364 | 21.15.1365 | 21.15.1366 | 21.15.1367 | - 50   |
| 7 m    | 21.15.0837 | 21.15.1371 | 21.15.1372 | 21.15.1373 | 21.15.1374 | 21.15.1375 | 21.15.1376 | 21.15.1377 | - 50   |
| 10 m   | 21.15.0840 | 21.15.1381 | 21.15.1382 | 21.15.1383 | 21.15.1384 | 21.15.1385 | 21.15.1386 | 21.15.1387 | - 40   |
| 15 m   | 21.15.0845 | 21.15.1391 | 21.15.1392 | 21.15.1393 | 21.15.1394 | 21.15.1395 | 21.15.1396 | 21.15.1397 | - 30   |
| 20 m   | 21.15.0850 | 21.15.1401 | 21.15.1402 | 21.15.1403 | 21.15.1404 | 21.15.1405 | 21.15.1406 | 21.15.1407 | - 20   |

## VALUE UTP Patch Cord Cat.6A / Class EA

Cat.6A  
Class EA

U/UTP

- The cheap solution for data transfer rates of up to 10 Gbit/s and a bandwidth of 500 MHz
- Patch cable for networking connections between devices
- Prepared shielded Twisted Pair cable (PiMF) with RJ-45 connectors on both ends.
- Durable due to moulded kink protection.
- Flexible cable, suitable for narrow bending.
- Impedance: 100 Ohm
- Contact settings 1:1, in accordance with the EIA/TIA 568 standard.
- Construction: 8 lines, pairs shielded with aluminium foil, complete shielding in tinned copper braid



### For a structured shielded Cat.6A cabling system we recommend to use the following components:

VALUE Cat.6A UTP Cable, Solid Wire, 300 m: 21.99.1685  
Flush Mount Wall Jack for Keystone: 25.16.8579  
Surface Wall Mount Frame: 25.16.8484  
VALUE Cat.6A Keystone, RJ-45, shielded: 26.99.0366  
19" Keystone Patch Panel: 26.11.0358 / 26.11.0359  
VALUE Cat.6A S/FTP Patch Cord, 5 m: 21.99.0875



| Length | grey       | red        | yellow     | green      | blue       | black      | white      | - P.U. |
|--------|------------|------------|------------|------------|------------|------------|------------|--------|
| 0.3 m  | 21.99.0874 | 21.99.1424 | 21.99.1434 | 21.99.1444 | 21.99.1454 | 21.99.1464 | 21.99.1474 | - 100  |
| 0.5 m  | 21.99.0870 | 21.99.1420 | 21.99.1430 | 21.99.1440 | 21.99.1450 | 21.99.1460 | 21.99.1470 | - 100  |
| 1 m    | 21.99.0871 | 21.99.1421 | 21.99.1431 | 21.99.1441 | 21.99.1451 | 21.99.1461 | 21.99.1471 | - 100  |
| 1.5 m  | 21.99.1480 | 21.99.1481 | 21.99.1482 | 21.99.1483 | 21.99.1484 | 21.99.1485 | 21.99.1486 | - 100  |
| 2 m    | 21.99.0872 | 21.99.1422 | 21.99.1432 | 21.99.1442 | 21.99.1452 | 21.99.1462 | 21.99.1472 | - 100  |
| 3 m    | 21.99.0873 | 21.99.1423 | 21.99.1433 | 21.99.1443 | 21.99.1453 | 21.99.1463 | 21.99.1473 | - 50   |
| 5 m    | 21.99.0875 | 21.99.1425 | 21.99.1435 | 21.99.1445 | 21.99.1455 | 21.99.1465 | 21.99.1475 | - 50   |
| 7 m    | 21.99.0876 | 21.99.1426 | 21.99.1436 | 21.99.1446 | 21.99.1456 | 21.99.1466 | 21.99.1476 | - 40   |
| 10 m   | 21.99.0877 | 21.99.1427 | 21.99.1437 | 21.99.1447 | 21.99.1457 | 21.99.1467 | 21.99.1477 | - 40   |
| 15 m   | 21.99.0878 | 21.99.1428 | 21.99.1438 | 21.99.1448 | 21.99.1458 | 21.99.1468 | 21.99.1478 | - 30   |
| 20 m   | 21.99.0879 | 21.99.1429 | 21.99.1439 | 21.99.1449 | 21.99.1459 | 21.99.1469 | 21.99.1479 | - 20   |

## VALUE S/FTP (PiMF) Patch Cord Cat.6A / Class EA

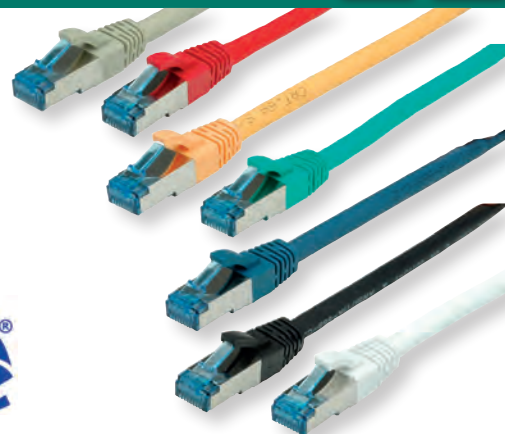
Cat.6A  
Class EA S/FTP

The cheap solution for data transfer rates of up to 10 Gbit/s and a bandwidth of 500 MHz. Patch cable for networking connections between devices.

- Prepared shielded Twisted Pair cable (PiMF) with RJ-45 connectors on both ends.
- Durable due to moulded kink protection. Flexible cable, suitable for narrow bending.
- Impedance: 100 Ohm. Contact settings 1:1, in accordance with the EIA/TIA 568 standard.
- Construction: 8 lines, pairs shielded with aluminium foil, complete braided shielding.

For a structured shielded Cat.6A cabling system we recommend to use the following components:

- VALUE Cat.6A S/FTP Cable, Solid Wire, 100 m: 21.99.0884.
- Flush Mount Wall Jack for Keystones: 25.16.8579.
- Surface Wall Mount Frame: 25.16.8484.
- VALUE Cat.6A Keystone, RJ-45, shielded: 26.99.0366.
- 19" Keystone Patch Panel: 26.11.0359.
- VALUE Cat.6A S/FTP Patch Cord, 5 m: 21.99.0865.



| Length           | grey       | red        | yellow     | green      | blue       | black      | white      | - P.U. |
|------------------|------------|------------|------------|------------|------------|------------|------------|--------|
| 0.15m <b>NEW</b> | 21.99.0859 | 21.99.1980 | 21.99.1981 | 21.99.1982 | 21.99.1983 | 21.99.1984 | 21.99.1985 | - 100  |
| 0.3 m            | 21.99.0864 | 21.99.1924 | 21.99.1934 | 21.99.1944 | 21.99.1954 | 21.99.1964 | 21.99.1974 | - 100  |
| 0.5 m            | 21.99.0860 | 21.99.1920 | 21.99.1930 | 21.99.1940 | 21.99.1950 | 21.99.1960 | 21.99.1970 | - 100  |
| 1 m              | 21.99.0861 | 21.99.1921 | 21.99.1931 | 21.99.1941 | 21.99.1951 | 21.99.1961 | 21.99.1971 | - 100  |
| 1.5 m            | 21.99.1990 | 21.99.1991 | 21.99.1992 | 21.99.1993 | 21.99.1994 | 21.99.1995 | 21.99.1996 | - 100  |
| 2 m              | 21.99.0862 | 21.99.1922 | 21.99.1932 | 21.99.1942 | 21.99.1952 | 21.99.1962 | 21.99.1972 | - 100  |
| 3 m              | 21.99.0863 | 21.99.1923 | 21.99.1933 | 21.99.1943 | 21.99.1953 | 21.99.1963 | 21.99.1973 | - 50   |
| 5 m              | 21.99.0865 | 21.99.1925 | 21.99.1935 | 21.99.1945 | 21.99.1955 | 21.99.1965 | 21.99.1975 | - 50   |
| 7 m              | 21.99.0866 | 21.99.1926 | 21.99.1936 | 21.99.1946 | 21.99.1956 | 21.99.1966 | 21.99.1976 | - 40   |
| 10 m             | 21.99.0867 | 21.99.1927 | 21.99.1937 | 21.99.1947 | 21.99.1957 | 21.99.1967 | 21.99.1977 | - 40   |
| 15 m             | 21.99.0868 | 21.99.1928 | 21.99.1938 | 21.99.1948 | 21.99.1958 | 21.99.1968 | 21.99.1978 | - 30   |
| 20 m             | 21.99.0869 | 21.99.1929 | 21.99.1939 | 21.99.1949 | 21.99.1959 | 21.99.1969 | 21.99.1979 | - 20   |

## ROLINE RJ45 Network Cable Drum Cat.6A / Class EA, S/FTP, 60 m (1 roll)

Cat.6A  
Class EA S/FTP

Network cable reel to extend Ethernet links for temporary cable installations at events, trade fair, conferences...

Simply unroll the cable and connect patch cables and network devices.

- LAN extension up to 60m
- With Cat.7 S/FTP-PiMF 1000 MHz installation cable on the reel
- Integrated data socket Cat.6A 1x RJ45 socket with dust protection cap
- Cat. 6A Keystone RJ45 socket at the end of cable
- Impedance: 100 Ohm
- Construction:
  - 8 lines, solid copper wire, AWG26
  - pairs shielded with aluminium foil
  - complete shielding in tinned copper braid
- Colour: orange
- Dimensions drum with handle: 355 x 420 x 240 mm

**NOTE: only 1 (one) drum (with 60m) is delivered.**



Order-No. - P.U.

**roline**<sup>®</sup>  
Designed for Professionals

ROLINE RJ45 Network Cable Drum Cat.6A / Cl. EA, S/FTP, 60 m (1 roll)

21.15.0007 - 1

## VALUE UTP Patch Cord, Cat.6A / Class EA, Flat, Colored

Cat. 6A  
Class EA

U/UTP

- Prepared cable with unshielded RJ-45 plug on both ends
- Extra flat cable for special applications
- Durable cables thanks to kink protection
- Contact settings 1:1 in accordance with EIA/TIA 568, 8 lines
- Construction: internal line 8 wires
- Plug with gold plated contacts
- Colour: grey / red / yellow / green / blue / black / white



Value®

| Length | grey       | red        | yellow     | green      | blue       | black      | white      | - P.U. |
|--------|------------|------------|------------|------------|------------|------------|------------|--------|
| 0.5 m  | 21.99.2010 | 21.99.2020 | 21.99.2030 | 21.99.2040 | 21.99.2050 | 21.99.0820 | 21.99.2060 | - 40   |
| 1 m    | 21.99.2011 | 21.99.2021 | 21.99.2031 | 21.99.2041 | 21.99.2051 | 21.99.0821 | 21.99.2061 | - 40   |
| 1.5 m  | 21.99.2014 | 21.99.2024 | 21.99.2034 | 21.99.2044 | 21.99.2054 | 21.99.0824 | 21.99.2064 | - 40   |
| 2 m    | 21.99.2012 | 21.99.2022 | 21.99.2032 | 21.99.2042 | 21.99.2052 | 21.99.0822 | 21.99.2062 | - 40   |
| 3 m    | 21.99.2013 | 21.99.2023 | 21.99.2033 | 21.99.2043 | 21.99.2053 | 21.99.0823 | 21.99.2063 | - 40   |
| 5 m    | 21.99.2015 | 21.99.2025 | 21.99.2035 | 21.99.2045 | 21.99.2055 | 21.99.0825 | 21.99.2065 | - 40   |

## VALUE FTP Patch Cord, Cat.6A / Class EA, Flat, Colored

Cat. 6A  
Class EA

U/FTP

- Prepared cable with shielded RJ-45 plug on both ends
- Durable cables thanks to kink protection
- Extra flat cable for special applications
- Contact settings 1:1 in accordance with EIA/TIA 568, 8 lines
- Construction: internal line 8 wires, pairs shielded with aluminium clad foil
- Plug with gold plated contacts
- Colour: grey / red / yellow / green / blue / black / white



Value®

| Length | grey       | red        | yellow     | green      | blue       | black      | white      | - P.U. |
|--------|------------|------------|------------|------------|------------|------------|------------|--------|
| 0.5 m  | 21.99.2110 | 21.99.2120 | 21.99.2130 | 21.99.2140 | 21.99.2150 | 21.99.0830 | 21.99.2160 | - 40   |
| 1 m    | 21.99.2111 | 21.99.2121 | 21.99.2131 | 21.99.2141 | 21.99.2151 | 21.99.0831 | 21.99.2161 | - 40   |
| 1.5 m  | 21.99.2114 | 21.99.2124 | 21.99.2134 | 21.99.2144 | 21.99.2154 | 21.99.0834 | 21.99.2164 | - 40   |
| 2 m    | 21.99.2112 | 21.99.2122 | 21.99.2132 | 21.99.2142 | 21.99.2152 | 21.99.0832 | 21.99.2162 | - 40   |
| 3 m    | 21.99.2113 | 21.99.2123 | 21.99.2133 | 21.99.2143 | 21.99.2153 | 21.99.0833 | 21.99.2163 | - 40   |
| 5 m    | 21.99.2115 | 21.99.2125 | 21.99.2135 | 21.99.2145 | 21.99.2155 | 21.99.0835 | 21.99.2165 | - 40   |

## ROLINE Traveller UTP Patch Cord, Cat.6A / Class EA

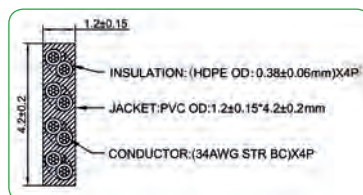
NEW

Cat. 6A  
Class EA

U/UTP

Prepared flat cable with unshielded RJ-45 plug on both ends

- Flat cable for special applications
- Durable cables thanks to kink protection
- Contact settings 1:1 in accordance with EIA/TIA 568, 8 lines
- Construction: 8 wires, flexible core
- Plug with gold plated contacts
- Colour: black
- Plug with gold plated contacts
- AWG34



|  | Order-No.  | - P.U. |
|--|------------|--------|
| ROLINE Traveller UTP Patch Cord, Cat.6A / Class EA, extra-flat, black, 0.5 m | 21.15.2190 | - 100  |
| ROLINE Traveller UTP Patch Cord, Cat.6A / Class EA, extra-flat, black, 1 m   | 21.15.2191 | - 100  |
| ROLINE Traveller UTP Patch Cord, Cat.6A / Class EA, extra-flat, black, 1.5 m | 21.15.2192 | - 100  |
| ROLINE Traveller UTP Patch Cord, Cat.6A / Class EA, extra-flat, black, 2 m   | 21.15.2193 | - 100  |

**roline**  
Designed for Professionals



**ROLINE UTP Data Center Patch Cord Cat.6A /Class EA, LSOH, Slim, Colored**
**Cat.6A**  
Class EA

**U/UTP**

- Patch cable for networking connections between devices.
- Prepared unshielded Twisted Pair cable with RJ-45 connectors on both ends.
- Durable due to moulded kink protection.
- **Slim, flexible cable, suitable for narrow bending.**
- Contact settings 1:1, in accordance with the EIA/TIA 568 standard.
- Construction: 4-pair stranded copper wire.
- Colour: grey / red / yellow / green / blue / black / white


**roline**<sup>®</sup>  
Designed for Professionals

**Halogenfree**  
Flame retardant  
Low Smoke


| Length | grey       | red        | yellow     | green      | blue       | black      | white      | - P.U. |
|--------|------------|------------|------------|------------|------------|------------|------------|--------|
| 0.15 m | 21.15.3900 | 21.15.3910 | 21.15.3920 | 21.15.3930 | 21.15.3940 | 21.15.3950 | 21.15.0978 | - 100  |
| 0.3 m  | 21.15.3901 | 21.15.3911 | 21.15.3921 | 21.15.3931 | 21.15.3941 | 21.15.3951 | 21.15.0979 | - 100  |
| 0.5 m  | 21.15.3902 | 21.15.3912 | 21.15.3922 | 21.15.3932 | 21.15.3942 | 21.15.3952 | 21.15.0980 | - 100  |
| 1 m    | 21.15.3903 | 21.15.3913 | 21.15.3923 | 21.15.3933 | 21.15.3943 | 21.15.3953 | 21.15.0981 | - 100  |
| 1.5 m  | 21.15.3904 | 21.15.3914 | 21.15.3924 | 21.15.3934 | 21.15.3944 | 21.15.3954 | 21.15.0984 | - 100  |
| 2 m    | 21.15.3905 | 21.15.3915 | 21.15.3925 | 21.15.3935 | 21.15.3945 | 21.15.3955 | 21.15.0982 | - 100  |
| 3 m    | 21.15.3906 | 21.15.3916 | 21.15.3926 | 21.15.3936 | 21.15.3946 | 21.15.3956 | 21.15.0983 | - 50   |
| 5 m    | 21.15.3907 | 21.15.3917 | 21.15.3927 | 21.15.3937 | 21.15.3947 | 21.15.3957 | 21.15.0985 | - 50   |

**ROLINE U/FTP DataCenter Patch Cord Cat.6A / Class EA, LSOH, Slim, Colored**
**DATA CENTER**  
Product

**Cat.6A**  
Class EA

**U/FTP**

Category 6A twisted-pair patch cable with RJ45 connectors on both sides. Particularly thin and flexible cable with individual pairs of wires in aluminium laminated foil for use in confined spaces, such as in data centres.

- Durable thanks to moulded-on kink protection
- Suitable as patch cable in patch panels or as device connection cable and intended for use in the LAN
- Contact assignment: 1:1 according to EIA/TIA568, 8 cores
- Structure: 8 cores stranded wire, pairs shielded with alu-laminated foil


**roline**<sup>®</sup>  
Designed for Professionals

**Halogenfree**  
Flame retardant  
Low Smoke


| Length | grey       | red        | yellow     | green      | blue       | black      | white      | - P.U. |
|--------|------------|------------|------------|------------|------------|------------|------------|--------|
| 0.15 m | 21.15.3300 | 21.15.3310 | 21.15.3320 | 21.15.3330 | 21.15.3340 | 21.15.3350 | 21.15.1698 | - 100  |
| 0.3 m  | 21.15.3301 | 21.15.3311 | 21.15.3321 | 21.15.3331 | 21.15.3341 | 21.15.3351 | 21.15.1699 | - 100  |
| 0.5 m  | 21.15.3302 | 21.15.3312 | 21.15.3322 | 21.15.3332 | 21.15.3342 | 21.15.3352 | 21.15.1700 | - 100  |
| 1 m    | 21.15.3303 | 21.15.3313 | 21.15.3323 | 21.15.3333 | 21.15.3343 | 21.15.3353 | 21.15.1701 | - 100  |
| 1.5 m  | 21.15.3304 | 21.15.3314 | 21.15.3324 | 21.15.3334 | 21.15.3344 | 21.15.3354 | 21.15.1704 | - 100  |
| 2 m    | 21.15.3305 | 21.15.3315 | 21.15.3325 | 21.15.3335 | 21.15.3345 | 21.15.3355 | 21.15.1702 | - 100  |
| 3 m    | 21.15.3306 | 21.15.3316 | 21.15.3326 | 21.15.3336 | 21.15.3346 | 21.15.3356 | 21.15.1703 | - 50   |
| 5 m    | 21.15.3307 | 21.15.3317 | 21.15.3327 | 21.15.3337 | 21.15.3347 | 21.15.3357 | 21.15.1705 | - 50   |

## ROLINE GREEN UTP Data Center Patch Cord Cat.6A /Class EA, LSOH, TPE, Slim, Colored

DATA CENTER Product

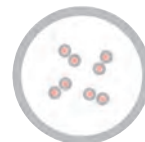
Cat. 6A Class EA

U/UTP

- Patch cable for networking connections between devices.
- Prepared unshielded Twisted Pair cable with RJ-45 connectors on both ends.
- Durable due to moulded kink protection.
- **Slim, flexible cable, suitable for narrow bending.**
- Contact settings 1:1, in accordance with the EIA/TIA 568 standard.
- Construction: 4-pair stranded copper wire.
- Colour: grey / red / yellow / green / blue / black / white



ROLINE GREEN products are marked only with a paper tag and build with halogen-free TPE material, without plastic bags and without plastic cable straps for use in eco-friendly environments.



**roline**  
green

Halogenfree  
Flame retardant  
Low Smoke

| Length | grey       | red        | yellow     | green      | blue       | black      | white      | - P.U. |
|--------|------------|------------|------------|------------|------------|------------|------------|--------|
| 0.15 m | 21.44.3900 | 21.44.3910 | 21.44.3920 | 21.44.3930 | 21.44.3940 | 21.44.3950 | 21.44.0978 | - 100  |
| 0.3 m  | 21.44.3901 | 21.44.3911 | 21.44.3921 | 21.44.3931 | 21.44.3941 | 21.44.3951 | 21.44.0979 | - 100  |
| 0.5 m  | 21.44.3902 | 21.44.3912 | 21.44.3922 | 21.44.3932 | 21.44.3942 | 21.44.3952 | 21.44.0980 | - 100  |
| 1 m    | 21.44.3903 | 21.44.3913 | 21.44.3923 | 21.44.3933 | 21.44.3943 | 21.44.3953 | 21.44.0981 | - 100  |
| 1.5 m  | 21.44.3904 | 21.44.3914 | 21.44.3924 | 21.44.3934 | 21.44.3944 | 21.44.3954 | 21.44.0984 | - 100  |
| 2 m    | 21.44.3905 | 21.44.3915 | 21.44.3925 | 21.44.3935 | 21.44.3945 | 21.44.3955 | 21.44.0982 | - 100  |
| 3 m    | 21.44.3906 | 21.44.3916 | 21.44.3926 | 21.44.3936 | 21.44.3946 | 21.44.3956 | 21.44.0983 | - 50   |
| 5 m    | 21.44.3907 | 21.44.3917 | 21.44.3927 | 21.44.3937 | 21.44.3947 | 21.44.3957 | 21.44.0985 | - 50   |

## ROLINE GREEN U/FTP DataCenter Patch Cord Cat.6A /Class EA, LSOH, TPE, Slim, Colored

DATA CENTER Product

Cat. 6A Class EA

U/FTP

Category 6A twisted-pair patch cable with shielded RJ-45 connectors on both sides. Particularly thin and flexible cable with individual pairs of wires in aluminium-laminated foil for use in confined spaces, such as in data centres.

- Durable thanks to moulded-on kink protection
- Suitable as patch cable in patch panels or as device connection cable and intended for use in the LAN
- Contact assignment: 1:1 according to EIA/TIA568, 8 cores
- Structure: 8 cores stranded wire, pairs shielded with alu-laminated foil
- Elastic and very flexible thanks to TPE outer sheath- best properties for cable ducts and similar applications where not much space is available
- Material: TPE (Thermoplastic Elastomer)

ROLINE GREEN products are marked only with a paper tag and build with halogen-free TPE material, without plastic bags and without plastic cable straps for use in eco-friendly environments.



**roline**  
green

Halogenfree  
Flame retardant  
Low Smoke

| Length | grey       | red        | yellow     | green      | blue       | black      | white      | - P.U. |
|--------|------------|------------|------------|------------|------------|------------|------------|--------|
| 0.15 m | 21.44.3300 | 21.44.3310 | 21.44.3320 | 21.44.3330 | 21.44.3340 | 21.44.3350 | 21.44.1698 | - 100  |
| 0.3 m  | 21.44.3301 | 21.44.3311 | 21.44.3321 | 21.44.3331 | 21.44.3341 | 21.44.3351 | 21.44.1699 | - 100  |
| 0.5 m  | 21.44.3302 | 21.44.3312 | 21.44.3322 | 21.44.3332 | 21.44.3342 | 21.44.3352 | 21.44.1700 | - 100  |
| 1 m    | 21.44.3303 | 21.44.3313 | 21.44.3323 | 21.44.3333 | 21.44.3343 | 21.44.3353 | 21.44.1701 | - 100  |
| 1.5 m  | 21.44.3304 | 21.44.3314 | 21.44.3324 | 21.44.3334 | 21.44.3344 | 21.44.3354 | 21.44.1704 | - 100  |
| 2 m    | 21.44.3305 | 21.44.3315 | 21.44.3325 | 21.44.3335 | 21.44.3345 | 21.44.3355 | 21.44.1702 | - 100  |
| 3 m    | 21.44.3306 | 21.44.3316 | 21.44.3326 | 21.44.3336 | 21.44.3346 | 21.44.3356 | 21.44.1703 | - 50   |
| 5 m    | 21.44.3307 | 21.44.3317 | 21.44.3327 | 21.44.3337 | 21.44.3347 | 21.44.3357 | 21.44.1705 | - 50   |

## ROLINE RECYCLED MATERIAL UTP Data Center Patch Cord Cat.6A /Class EA, Slim

DATA CENTER Product

Cat. 6A Class EA

U/UTP

- Patch cable for networking connections between devices.
- Prepared unshielded Twisted Pair cable with RJ-45 connectors on both ends.
- Durable due to moulded kink protection.
- **Slim, flexible cable, suitable for narrow bending.**
- Contact settings 1:1, in accordance with the EIA/TIA 568 standard.
- Construction: 4-pair stranded copper wire.
- Colour: grey / red / yellow / green / blue / black / white



**Our ROLINE Recycled Material products are made from more than 50% recycled materials.**

- By incorporating recycled material into our products, we are taking a big step towards to a more sustainable and circular economy.
- With ROLINE Recycled Material we can conserve additional natural resources, save energy and reduce the production of new material.

**Environmentally friendly packaging:**

- Our commitment also concerns the packaging in which these environmentally responsible products are packed.
- ROLINE Recycled Material packaging is made from 100% recycled material, minimizing waste and underlining our engagement to responsible packaging.



**roline**<sup>®</sup>  
recycled material



NEW

| Length | grey       | red        | yellow     | green      | blue       | black      | white      | - P.U. |
|--------|------------|------------|------------|------------|------------|------------|------------|--------|
| 0.15 m | 21.45.3400 | 21.45.3410 | 21.45.3420 | 21.45.3430 | 21.45.3440 | 21.45.3450 | 21.45.3460 | - 100  |
| 0.3 m  | 21.45.3401 | 21.45.3411 | 21.45.3421 | 21.45.3431 | 21.45.3441 | 21.45.3451 | 21.45.3461 | - 100  |
| 0.5 m  | 21.45.3402 | 21.45.3412 | 21.45.3422 | 21.45.3432 | 21.45.3442 | 21.45.3452 | 21.45.3462 | - 100  |
| 1 m    | 21.45.3403 | 21.45.3413 | 21.45.3423 | 21.45.3433 | 21.45.3443 | 21.45.3453 | 21.45.3463 | - 100  |
| 1.5 m  | 21.45.3404 | 21.45.3414 | 21.45.3424 | 21.45.3434 | 21.45.3444 | 21.45.3454 | 21.45.3464 | - 100  |
| 2 m    | 21.45.3405 | 21.45.3415 | 21.45.3425 | 21.45.3435 | 21.45.3445 | 21.45.3455 | 21.45.3465 | - 100  |
| 3 m    | 21.45.3406 | 21.45.3416 | 21.45.3426 | 21.45.3436 | 21.45.3446 | 21.45.3456 | 21.45.3466 | - 50   |
| 5 m    | 21.45.3407 | 21.45.3417 | 21.45.3427 | 21.45.3437 | 21.45.3447 | 21.45.3457 | 21.45.3467 | - 50   |

## ROLINE RECYCLED MATERIAL U/FTP DataCenter Patch Cord Cat.6A /Class EA, Slim

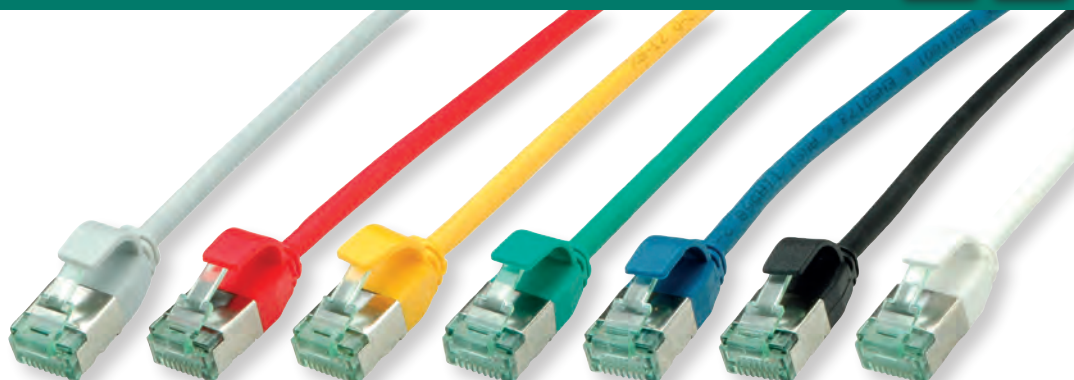
DATA CENTER Product

Cat. 6A Class EA

U/FTP

**Category 6A twisted-pair patch cable with shielded RJ-45 connectors on both sides. Particularly thin and flexible cable with individual pairs of wires in aluminium-laminated foil for use in confined spaces, such as in data centres.**

- Durable thanks to moulded-on kink protection
- Suitable as patch cable in patch panels or as device connection cable and intended for use in the LAN
- Contact assignment: 1:1 according to EIA/TIA568, 8 cores
- Structure: 8 cores stranded wire, pairs shielded with alu-laminated foil
- Elastic and very flexible thanks to TPE outer sheath- best properties for cable ducts and similar applications where not much space is available
- **Material: TPE (Thermoplastic Elastomer)**



**ROLINE RECYCLED MATERIAL products consist of more than 50% recycled materials. The packaging is even made from 100% recycled material.**



**roline**<sup>®</sup>  
recycled material



NEW

| Length | grey       | red        | yellow     | green      | blue       | black      | white      | - P.U. |
|--------|------------|------------|------------|------------|------------|------------|------------|--------|
| 0.15 m | 21.45.3300 | 21.45.3310 | 21.45.3320 | 21.45.3330 | 21.45.3340 | 21.45.3350 | 21.45.3360 | - 100  |
| 0.3 m  | 21.45.3301 | 21.45.3311 | 21.45.3321 | 21.45.3331 | 21.45.3341 | 21.45.3351 | 21.45.3361 | - 100  |
| 0.5 m  | 21.45.3302 | 21.45.3312 | 21.45.3322 | 21.45.3332 | 21.45.3342 | 21.45.3352 | 21.45.3362 | - 100  |
| 1 m    | 21.45.3303 | 21.45.3313 | 21.45.3323 | 21.45.3333 | 21.45.3343 | 21.45.3353 | 21.45.3363 | - 100  |
| 1.5 m  | 21.45.3304 | 21.45.3314 | 21.45.3324 | 21.45.3334 | 21.45.3344 | 21.45.3354 | 21.45.3364 | - 100  |
| 2 m    | 21.45.3305 | 21.45.3315 | 21.45.3325 | 21.45.3335 | 21.45.3345 | 21.45.3355 | 21.45.3365 | - 100  |
| 3 m    | 21.45.3306 | 21.45.3316 | 21.45.3326 | 21.45.3336 | 21.45.3346 | 21.45.3356 | 21.45.3366 | - 50   |
| 5 m    | 21.45.3307 | 21.45.3317 | 21.45.3327 | 21.45.3337 | 21.45.3347 | 21.45.3357 | 21.45.3367 | - 50   |



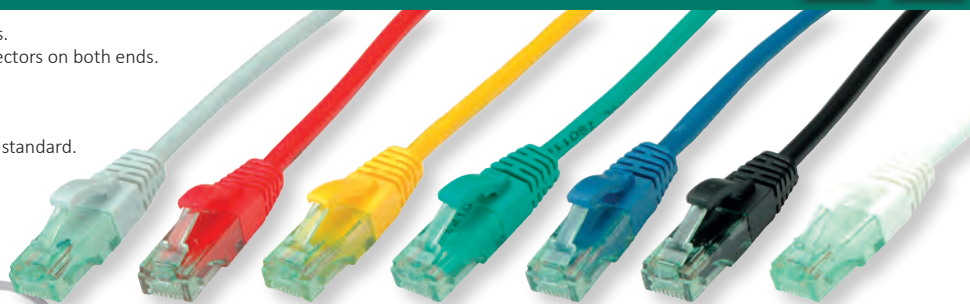
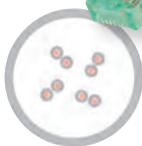
**ROLINE RECYCLED MATERIAL UTP Patch Cord Cat.6A / Class EA**

Cat. 6A  
Class EA

U/UTP

- Patch cable for networking connections between devices.
- Prepared unshielded Twisted Pair cable with RJ-45 connectors on both ends.
- Durable due to moulded kink protection.
- Flexible cable, suitable for narrow bending.
- High quality plugs with gold plated contacts.
- Contact settings 1:1, in accordance with the EIA/TIA 568 standard.
- Construction: 4-pair stranded copper wire.

**ROLINE RECYCLED MATERIAL products consist of more than 50% recycled materials. The packaging is even made from 100% recycled material.**



| Length | grey       | red        | yellow     | green      | blue       | black      | white      | P.U.  |
|--------|------------|------------|------------|------------|------------|------------|------------|-------|
| 0.3m   | 21.45.3181 | 21.45.3182 | 21.45.3183 | 21.45.3184 | 21.45.3185 | 21.45.3186 | 21.45.3187 | - 50  |
| 0.5m   | 21.45.3100 | 21.45.3110 | 21.45.3120 | 21.45.3130 | 21.45.3140 | 21.45.3150 | 21.45.3160 | - 100 |
| 1m     | 21.45.3101 | 21.45.3111 | 21.45.3121 | 21.45.3131 | 21.45.3141 | 21.45.3151 | 21.45.3161 | - 100 |
| 1.5m   | 21.45.3104 | 21.45.3114 | 21.45.3124 | 21.45.3134 | 21.45.3144 | 21.45.3154 | 21.45.3164 | - 100 |
| 2m     | 21.45.3102 | 21.45.3112 | 21.45.3122 | 21.45.3132 | 21.45.3142 | 21.45.3152 | 21.45.3162 | - 100 |
| 3m     | 21.45.3103 | 21.45.3113 | 21.45.3123 | 21.45.3133 | 21.45.3143 | 21.45.3153 | 21.45.3163 | - 50  |
| 5m     | 21.45.3105 | 21.45.3115 | 21.45.3125 | 21.45.3135 | 21.45.3145 | 21.45.3155 | 21.45.3165 | - 50  |
| 7.5m   | 21.45.3106 | 21.45.3116 | 21.45.3126 | 21.45.3136 | 21.45.3146 | 21.45.3156 | 21.45.3166 | - 40  |
| 10m    | 21.45.3107 | 21.45.3117 | 21.45.3127 | 21.45.3137 | 21.45.3147 | 21.45.3157 | 21.45.3167 | - 40  |
| 15m    | 21.45.3108 | 21.45.3118 | 21.45.3128 | 21.45.3138 | 21.45.3148 | 21.45.3158 | 21.45.3168 | - 30  |
| 20m    | 21.45.3109 | 21.45.3119 | 21.45.3129 | 21.45.3139 | 21.45.3149 | 21.45.3159 | 21.45.3169 | - 20  |

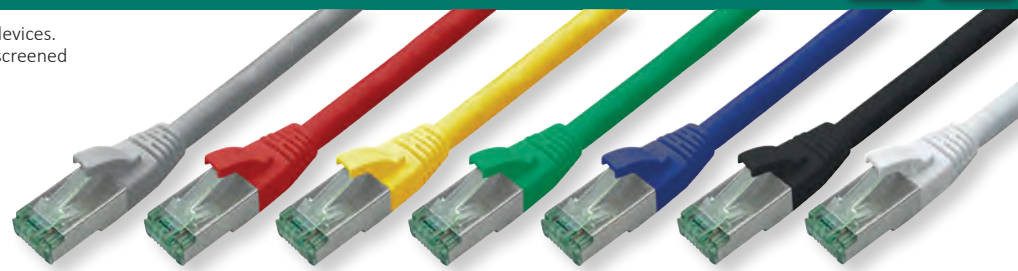
**ROLINE RECYCLED MATERIAL S/FTP (PiMF) Patch Cord Cat.6A / Class EA**

Cat. 6A  
Class EA

S/FTP

- Patch cable for networking connections between devices.
- Prepared double shielded Twisted Pair cable with screened RJ-45 connectors on both ends.
- Durable due to moulded kink protection.
- Flexible cable, suitable for narrow bending.
- High quality plugs with gold plated contacts.
- Contact settings 1:1, in accordance with the EIA/TIA 568 standard.
- Construction: 4-pair stranded copper wire. Complete braid shielding.
- Pairs shielded with aluminium clad polyester foil.
- **Material: TPE (Thermoplastic Elastomer)**

**ROLINE RECYCLED MATERIAL products consist of more than 50% recycled materials. The packaging is even made from 100% recycled material.**



| Length | grey       | red        | yellow     | green      | blue       | black      | white      | P.U.  |
|--------|------------|------------|------------|------------|------------|------------|------------|-------|
| 0.3m   | 21.45.3270 | 21.45.3271 | 21.45.3272 | 21.45.3273 | 21.45.3274 | 21.45.3275 | 21.45.3276 | - 50  |
| 0.5m   | 21.45.3200 | 21.45.3210 | 21.45.3220 | 21.45.3230 | 21.45.3240 | 21.45.3250 | 21.45.3260 | - 100 |
| 1m     | 21.45.3201 | 21.45.3211 | 21.45.3221 | 21.45.3231 | 21.45.3241 | 21.45.3251 | 21.45.3261 | - 100 |
| 1.5m   | 21.45.3204 | 21.45.3214 | 21.45.3224 | 21.45.3234 | 21.45.3244 | 21.45.3254 | 21.45.3264 | - 100 |
| 2m     | 21.45.3202 | 21.45.3212 | 21.45.3222 | 21.45.3232 | 21.45.3242 | 21.45.3252 | 21.45.3262 | - 100 |
| 3m     | 21.45.3203 | 21.45.3213 | 21.45.3223 | 21.45.3233 | 21.45.3243 | 21.45.3253 | 21.45.3263 | - 50  |
| 5m     | 21.45.3205 | 21.45.3215 | 21.45.3225 | 21.45.3235 | 21.45.3245 | 21.45.3255 | 21.45.3265 | - 50  |
| 7.5m   | 21.45.3206 | 21.45.3216 | 21.45.3226 | 21.45.3236 | 21.45.3246 | 21.45.3256 | 21.45.3266 | - 40  |
| 10m    | 21.45.3207 | 21.45.3217 | 21.45.3227 | 21.45.3237 | 21.45.3247 | 21.45.3257 | 21.45.3267 | - 40  |
| 15m    | 21.45.3208 | 21.45.3218 | 21.45.3228 | 21.45.3238 | 21.45.3248 | 21.45.3258 | 21.45.3268 | - 30  |
| 20m    | 21.45.3209 | 21.45.3219 | 21.45.3229 | 21.45.3239 | 21.45.3249 | 21.45.3259 | 21.45.3269 | - 20  |

## VALUE Outdoor S/FTP Patch Cord Cat.6A / Class EA, Solid, TPE, LSOH

Cat.6A S/FTP

Patch cable for networking connections between devices in combination with outdoor application (e.g. connection to outdoor surveillance cameras)

- UV- resistant (Ultraviolet resistance - ability of the material to withstand the degradation that can be caused by exposure to ultraviolet light)
- Prepared double shielded Twisted Pair cable with screened RJ-45 connectors on both ends
- Durable due to moulded kink protection
- Suitable for PoE applications and multimedia applications where the extension is working over TP
- High quality plugs with gold plated contacts
- LSZH- halogen free, flame retardant and low smoke
- Contact settings 1:1, in accordance with the EIA/TIA 568 standard
- Construction: 4-pair solid copper wire, complete braid shielding, pairs shielded with aluminium clad polyester foil

REMARK: NOT suitable for underground installation / application



Halogenfree  
Flame retardant  
Low Smoke



Order-No. – P.U.

|   |                |
|---|----------------|
| VALUE Outdoor S/FTP Patch Cord Cat.6A / Class EA, solid, LSOH, TPE, black, 20 m | 21.99.0720 – 5 |
| VALUE Outdoor S/FTP Patch Cord Cat.6A / Class EA, solid, LSOH, TPE, black, 30 m | 21.99.0721 – 5 |
| VALUE Outdoor S/FTP Patch Cord Cat.6A / Class EA, solid, LSOH, TPE, black, 50 m | 21.99.0722 – 2 |

## ROLINE Outdoor S/FTP Patch Cord Cat.6A / Class EA, Stranded, TPE, LSOH

Cat.6A S/FTP

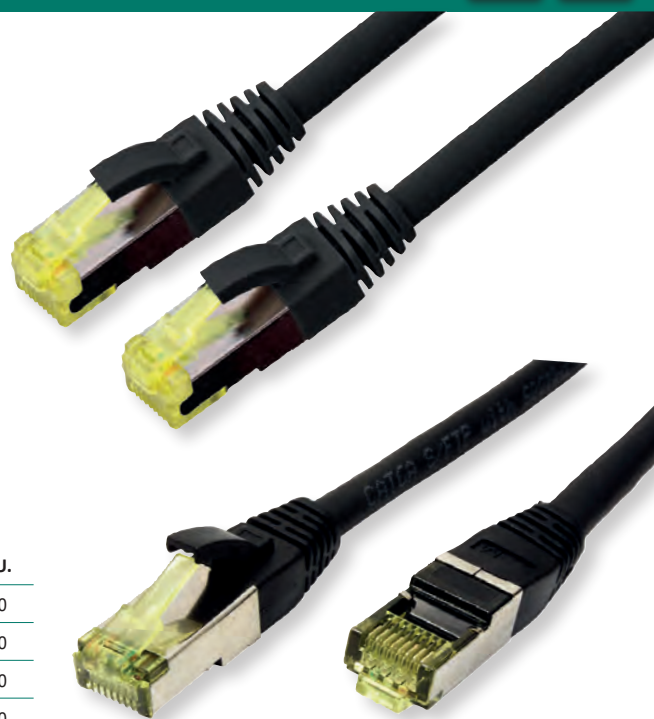
Patch cable for networking connections between devices in combination with outdoor application (e.g. connection to outdoor surveillance cameras)

- UV- resistant (Ultraviolet resistance - ability of the material to withstand the degradation that can be caused by exposure to ultraviolet light)
- Prepared double shielded Twisted Pair cable with screened RJ-45 connectors on both ends
- Durable due to moulded kink protection
- Suitable for PoE applications and multimedia applications where the extension is working over TP
- High quality plugs with gold plated contacts
- Contact settings 1:1, in accordance with the EIA/TIA 568 standard
- Construction: 4-pair stranded copper wire, complete braid shielding, pairs shielded with aluminium clad polyester foil

REMARK: NOT suitable for underground installation / application



Halogenfree  
Flame retardant  
Low Smoke



Order-No. – P.U.

|   |                  |
|---|------------------|
| ROLINE Outdoor S/FTP Patch Cord Cat.6A / Cl. EA, stranded, LSOH, TPE, black, 0.15 m | 21.15.0748 – 100 |
| ROLINE Outdoor S/FTP Patch Cord Cat.6A / Cl. EA, stranded, LSOH, TPE, black, 0.3 m  | 21.15.0749 – 100 |
| ROLINE Outdoor S/FTP Patch Cord Cat.6A / Cl. EA, stranded, LSOH, TPE, black, 0.5 m  | 21.15.0750 – 100 |
| ROLINE Outdoor S/FTP Patch Cord Cat.6A / Cl. EA, stranded, LSOH, TPE, black, 1 m    | 21.15.0751 – 100 |
| ROLINE Outdoor S/FTP Patch Cord Cat.6A / Cl. EA, stranded, LSOH, TPE, black, 2 m    | 21.15.0752 – 100 |
| ROLINE Outdoor S/FTP Patch Cord Cat.6A / Cl. EA, stranded, LSOH, TPE, black, 3 m    | 21.15.0753 – 50  |
| ROLINE Outdoor S/FTP Patch Cord Cat.6A / Cl. EA, stranded, LSOH, TPE, black, 5 m    | 21.15.0755 – 50  |
| ROLINE Outdoor S/FTP Patch Cord Cat.6A / Cl. EA, stranded, LSOH, TPE, black, 7 m    | 21.15.0757 – 40  |
| ROLINE Outdoor S/FTP Patch Cord Cat.6A / Cl. EA, stranded, LSOH, TPE, black, 10 m   | 21.15.0759 – 40  |



Designed for Professionals

## VALUE S/FTP Patch Cord Cat.6A / Cl. EA, Solid

Cat.6A  
Class EA

S/FTP

### Patch cable for networking connections between devices

- Prepared double shielded Twisted Pair cable with screened RJ-45 connectors on both ends
- Durable due to moulded kink protection

### • Suitable for PoE applications and multimedia applications where the extension is working over TP

- High quality plugs with gold plated contacts
- Contact settings 1:1, in accordance with the EIA/TIA 568 standard
- Construction: 4-pair solid copper wire, complete braid shielding, pairs shielded with aluminium clad polyester foil



**Value**<sup>®</sup>



Halogenfree  
Flame retardant  
Low Smoke

### Order-No. – P.U.

|   |                |
|---|----------------|
| VALUE S/FTP Patch Cord Cat.6A / Cl. EA, solid, LSOH, grey, 20.0 m | 21.99.0844 – 5 |
| VALUE S/FTP Patch Cord Cat.6A / Cl. EA, solid, LSOH, grey, 30.0 m | 21.99.0846 – 5 |
| VALUE S/FTP Patch Cord Cat.6A / Cl. EA, solid, LSOH, grey, 50.0 m | 21.99.0847 – 2 |
| VALUE S/FTP Patch Cord Cat.6A / Cl. EA, solid, LSOH, grey, 70.0 m | 21.99.0848 – 2 |
| VALUE S/FTP Patch Cord Cat.6A / Cl. EA, solid, LSOH, grey, 90.0 m | 21.99.0849 – 2 |

## ROLINE S/FTP Patch Cord Cat.6A / Cl. EA, Solid

Cat.6A  
Class EA

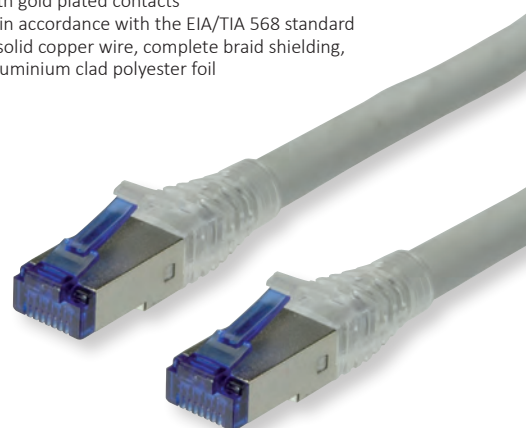
S/FTP

### Patch cable for networking connections between devices

- Prepared double shielded Twisted Pair cable with screened RJ-45 connectors on both ends
- Durable due to moulded kink protection

### • Suitable for PoE applications and multimedia applications where the extension is working over TP

- High quality plugs with gold plated contacts
- Contact settings 1:1, in accordance with the EIA/TIA 568 standard
- Construction: 4-pair solid copper wire, complete braid shielding, pairs shielded with aluminium clad polyester foil



**roline**<sup>®</sup>  
Designed for Professionals



\* Halogenfree  
Flame retardant  
Low Smoke

### Order-No. – P.U.

|   |                |
|---|----------------|
| ROLINE S/FTP Patch Cord Cat.6A / Cl. EA, solid, grey, 20.0 m        | 21.15.0870 – 5 |
| ROLINE S/FTP Patch Cord Cat.6A / Cl. EA, solid, grey, 30.0 m        | 21.15.0871 – 5 |
| ROLINE S/FTP Patch Cord Cat.6A / Cl. EA, solid, grey, 50.0 m        | 21.15.0872 – 2 |
| ROLINE S/FTP Patch Cord Cat.6A / Cl. EA, solid, grey, 70.0 m        | 21.15.0873 – 2 |
| ROLINE S/FTP Patch Cord Cat.6A / Cl. EA, solid, grey, 90.0 m        | 21.15.0875 – 2 |
| ROLINE S/FTP Patch Cord Cat.6A / Cl. EA, solid, *LSOH, grey, 20.0 m | 21.15.0874 – 5 |
| ROLINE S/FTP Patch Cord Cat.6A / Cl. EA, solid, *LSOH, grey, 30.0 m | 21.15.0876 – 5 |
| ROLINE S/FTP Patch Cord Cat.6A / Cl. EA, solid, *LSOH, grey, 50.0 m | 21.15.0877 – 2 |
| ROLINE S/FTP Patch Cord Cat.6A / Cl. EA, solid, *LSOH, grey, 70.0 m | 21.15.0878 – 2 |
| ROLINE S/FTP Patch Cord Cat.6A / Cl. EA, solid, *LSOH, grey, 90.0 m | 21.15.0879 – 2 |

## COMPONENT LEVEL Patch Cords - Considerations

100% Component Level Tested

Cat.6

Cat.6A

U/UTP

S/FTP

As streaming media applications such as video and multimedia become commonplace, the demands for faster data rates will increase and spawn new applications that will benefit from the higher bandwidth offered by Category 6 or 6A.

When it comes to structured cabling performance, the objectives of a standard are both to ensure the performance of present, foreseen and perhaps unforeseen applications, and to allow interoperability of components from multiple manufacturers that make up a structured cabling system.

When a structured cabling system has components from different manufacturers, the overall performance margin can drop, due to the need to work with connectivity that may be anywhere in the performance envelope defined by the standard for a channel or permanent link.

### COMPONENT LEVEL Patch Cords - Considerations

When a new cabling system is installed, the installed cabling becomes a permanent infrastructure in the building. The cable itself is routed through hidden pathways within walls, under floors and in ceilings or in cable trays and conduit. Upon completion

of the installation, each permanent link is certified from the termination in a patch panel to the outlet or jack in the work area or office at the other end.

Nevertheless the quality and performance of connecting hardware as patch cords have a tremendous impact on the performance of a cabling channel. The patch cords are after all the first component in the channel in either direction.

ROLINE Category 6 / 6A Component LEVEL cords are 100% transmission tested to component level performance as specified in TIA/EIA-568-B.2-1.

- They are assembled in a controlled environment using advanced manufacturing techniques to insure consistent quality.
- These patch cords have been tested on **COMPONENT LEVEL**. This means, you can add them to ANY Permanent Link that fulfils Cat.6 / Cat.6A and the resulting Channel will also fulfil Cat.6 / Cat.6A.

Even more, combining any components (patch cords, jacks, patchpanels, wall boxes) that are tested on **COMPONENT LEVEL**, will result in a Channel that fulfils the norm.

**ROLINE Category 6 / 6A Component LEVEL patch cords have a**  
- protection of the plug latch,- durable cable strain relief, Are flexible,  
- LSOH (flame retardant, low smoke and halogen free)  
- and last but not least they are compatible with both T568A and T568B cabling systems.

These patch cords are designed for greater flexibility and service life and are available in eight colors (grey / red / yellow / green / blue / black / white / orange ) and in eleven standard lengths. Please see therefore the next following pages.

### Key Features:

- Transmission performance TIA/EIA 568-B.2-1 Component, permanent link, and channel level
- 100% factory transmission tested to Component Level per TIA/EIA 568-B.2-1
- T568A/B Wiring Scheme
- Durable flexible cable strain relief
- Maximum strength and durability construction

Halogenfree  
Flame retardant  
Low Smoke



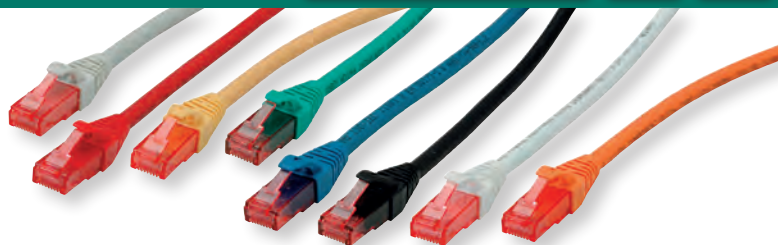
## ROLINE UTP Cable Cat.6 Component Level, LSOH

100% Component Level Tested

Cat.6

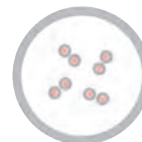
U/UTP

- Patch cable for networking connections between devices.
- Prepared unshielded Twisted Pair cable with RJ-45 connectors on both ends.
- Durable due to moulded kink protection.
- Flexible cable, suitable for narrow bending.
- High quality plugs with gold plated contacts.
- Contact settings 1:1, in accordance with the EIA/TIA 568 standard.
- Construction: 4-pair stranded copper wire.
- Halogen-free, flame retardant, low smoke.
- 100 % Component level testing



# roline®

Designed for Professionals



Halogenfree  
Flame retardant  
Low Smoke

| Length | grey       | red        | yellow     | green      | blue       | black      | white      | orange     | P.U.  |
|--------|------------|------------|------------|------------|------------|------------|------------|------------|-------|
| 0.3m   | 21.15.2940 | 21.15.2941 | 21.15.2942 | 21.15.2943 | 21.15.2944 | 21.15.2945 | 21.15.2946 | 21.15.2947 | - 50  |
| 0.5m   | 21.15.2500 | 21.15.2510 | 21.15.2520 | 21.15.2530 | 21.15.2540 | 21.15.2550 | 21.15.2560 | 21.15.2570 | - 100 |
| 1 m    | 21.15.2501 | 21.15.2511 | 21.15.2521 | 21.15.2531 | 21.15.2541 | 21.15.2551 | 21.15.2561 | 21.15.2571 | - 100 |
| 1.5 m  | 21.15.2504 | 21.15.2514 | 21.15.2524 | 21.15.2534 | 21.15.2544 | 21.15.2554 | 21.15.2564 | 21.15.2574 | - 100 |
| 2 m    | 21.15.2502 | 21.15.2512 | 21.15.2522 | 21.15.2532 | 21.15.2542 | 21.15.2552 | 21.15.2562 | 21.15.2572 | - 100 |
| 3 m    | 21.15.2503 | 21.15.2513 | 21.15.2523 | 21.15.2533 | 21.15.2543 | 21.15.2553 | 21.15.2563 | 21.15.2573 | - 50  |
| 5 m    | 21.15.2505 | 21.15.2515 | 21.15.2525 | 21.15.2535 | 21.15.2545 | 21.15.2555 | 21.15.2565 | 21.15.2575 | - 50  |
| 7.5m   | 21.15.2506 | —          | —          | —          | —          | —          | —          | —          | - 40  |
| 10 m   | 21.15.2507 | —          | —          | —          | —          | —          | —          | —          | - 40  |
| 15 m   | 21.15.2508 | —          | —          | —          | —          | —          | —          | —          | - 30  |
| 20 m   | 21.15.2509 | —          | —          | —          | —          | —          | —          | —          | - 20  |

## ROLINE S/FTP (PiMF) Patch Cord Cat.6 Component Level, LSOH

100% Component Level Tested

Cat.6

S/FTP

- Patch cable for networking connections between devices.
- Prepared double shielded Twisted Pair cable with screened RJ-45 connectors on both ends.
- Durable due to moulded kink protection
- Flexible cable, suitable for narrow bending.
- High quality plugs with gold plated contacts.
- Contact settings 1:1, in accordance with the EIA/TIA 568 standard.
- Construction: 4-pair stranded copper wire. Complete braid shielding.
- Pairs shielded with aluminium clad polyester foil.
- Halogen-free, flame retardant, low smoke.
- 100% Component Level testing



# roline®

Designed for Professionals



Halogenfree  
Flame retardant  
Low Smoke

| Length | grey       | red        | yellow     | green      | blue       | black      | white      | orange     | P.U.  |
|--------|------------|------------|------------|------------|------------|------------|------------|------------|-------|
| 0.3m   | 21.15.2951 | 21.15.2952 | 21.15.2953 | 21.15.2954 | 21.15.2955 | 21.15.2956 | 21.15.2957 | 21.15.2958 | - 50  |
| 0.5m   | 21.15.2600 | 21.15.2610 | 21.15.2620 | 21.15.2630 | 21.15.2640 | 21.15.2650 | 21.15.2660 | 21.15.2670 | - 100 |
| 1 m    | 21.15.2601 | 21.15.2611 | 21.15.2621 | 21.15.2631 | 21.15.2641 | 21.15.2651 | 21.15.2661 | 21.15.2671 | - 100 |
| 1.5 m  | 21.15.2604 | 21.15.2614 | 21.15.2624 | 21.15.2634 | 21.15.2644 | 21.15.2654 | 21.15.2664 | 21.15.2674 | - 100 |
| 2 m    | 21.15.2602 | 21.15.2612 | 21.15.2622 | 21.15.2632 | 21.15.2642 | 21.15.2652 | 21.15.2662 | 21.15.2672 | - 100 |
| 3 m    | 21.15.2603 | 21.15.2613 | 21.15.2623 | 21.15.2633 | 21.15.2643 | 21.15.2653 | 21.15.2663 | 21.15.2673 | - 50  |
| 5 m    | 21.15.2605 | 21.15.2615 | 21.15.2625 | 21.15.2635 | 21.15.2645 | 21.15.2655 | 21.15.2665 | 21.15.2675 | - 50  |
| 7.5m   | 21.15.2606 | —          | —          | —          | —          | —          | —          | —          | - 40  |
| 10 m   | 21.15.2607 | —          | —          | —          | —          | —          | —          | —          | - 40  |
| 15 m   | 21.15.2608 | —          | —          | —          | —          | —          | —          | —          | - 30  |
| 20 m   | 21.15.2609 | —          | —          | —          | —          | —          | —          | —          | - 20  |

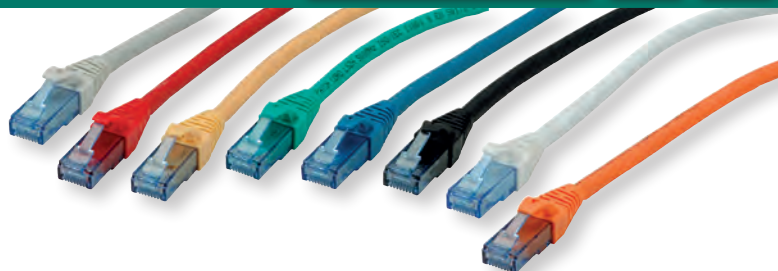
## ROLINE UTP Patch Cord Cat.6A, Component Level, LSOH

100% Component Level Tested

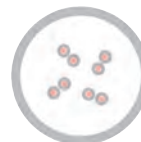
Cat.6A

U/UTP

- Patch cable for networking connections between devices.
- Prepared unshielded Twisted Pair cable with RJ-45 connectors on both ends.
- Durable due to moulded kink protection.
- Flexible cable, suitable for narrow bending.
- High quality plugs with gold plated contacts.
- Contact settings 1:1, in accordance with the EIA/TIA 568 standard.
- Construction: 4-pair stranded copper wire.
- Halogen-free, flame retardant, low smoke.
- 100 % Component level testing



**roline**<sup>®</sup>  
Designed for Professionals



Halogenfree  
Flame retardant  
Low Smoke

| Length | grey       | red        | yellow     | green      | blue       | black      | white      | orange     | P.U.  |
|--------|------------|------------|------------|------------|------------|------------|------------|------------|-------|
| 0.3m   | 21.15.2981 | 21.15.2982 | 21.15.2983 | 21.15.2984 | 21.15.2985 | 21.15.2986 | 21.15.2987 | 21.15.2988 | - 50  |
| 0.5m   | 21.15.2700 | 21.15.2710 | 21.15.2720 | 21.15.2730 | 21.15.2740 | 21.15.2750 | 21.15.2760 | 21.15.2770 | - 100 |
| 1m     | 21.15.2701 | 21.15.2711 | 21.15.2721 | 21.15.2731 | 21.15.2741 | 21.15.2751 | 21.15.2761 | 21.15.2771 | - 100 |
| 1.5m   | 21.15.2704 | 21.15.2714 | 21.15.2724 | 21.15.2734 | 21.15.2744 | 21.15.2754 | 21.15.2764 | 21.15.2774 | - 100 |
| 2m     | 21.15.2702 | 21.15.2712 | 21.15.2722 | 21.15.2732 | 21.15.2742 | 21.15.2752 | 21.15.2762 | 21.15.2772 | - 100 |
| 3m     | 21.15.2703 | 21.15.2713 | 21.15.2723 | 21.15.2733 | 21.15.2743 | 21.15.2753 | 21.15.2763 | 21.15.2773 | - 50  |
| 5m     | 21.15.2705 | 21.15.2715 | 21.15.2725 | 21.15.2735 | 21.15.2745 | 21.15.2755 | 21.15.2765 | 21.15.2775 | - 50  |
| 7.5m   | 21.15.2706 | 21.15.2716 | 21.15.2726 | 21.15.2736 | 21.15.2746 | 21.15.2756 | 21.15.2766 | 21.15.2776 | - 40  |
| 10m    | 21.15.2707 | 21.15.2717 | 21.15.2727 | 21.15.2737 | 21.15.2747 | 21.15.2757 | 21.15.2767 | 21.15.2777 | - 40  |
| 15m    | 21.15.2708 | 21.15.2718 | 21.15.2728 | 21.15.2738 | 21.15.2748 | 21.15.2758 | 21.15.2768 | 21.15.2778 | - 30  |
| 20m    | 21.15.2709 | 21.15.2719 | 21.15.2729 | 21.15.2739 | 21.15.2749 | 21.15.2759 | 21.15.2769 | 21.15.2779 | - 20  |

## ROLINE S/FTP (PiMF) Patch Cord Cat.6A, Component Level, LSOH

100% Component Level Tested

Cat.6A

S/FTP

- Patch cable for networking connections between devices.
- Prepared double shielded Twisted Pair cable with screened RJ-45 connectors on both ends.
- Durable due to moulded kink protection.
- Flexible cable, suitable for narrow bending.
- High quality plugs with gold plated contacts.
- Contact settings 1:1, in accordance with the EIA/TIA 568 standard.
- Construction: 4-pair stranded copper wire. Complete braid shielding.
- Pairs shielded with aluminium clad polyester foil.
- Halogen-free, flame retardant, low smoke.
- 100 % Component level testing



**roline**<sup>®</sup>  
Designed for Professionals



Halogenfree  
Flame retardant  
Low Smoke



| Length | grey       | red        | yellow     | green      | blue       | black      | white      | P.U.  |
|--------|------------|------------|------------|------------|------------|------------|------------|-------|
| 0.3m   | 21.15.2970 | 21.15.2971 | 21.15.2972 | 21.15.2973 | 21.15.2974 | 21.15.2975 | 21.15.2976 | - 50  |
| 0.5m   | 21.15.2800 | 21.15.2810 | 21.15.2820 | 21.15.2830 | 21.15.2840 | 21.15.2850 | 21.15.2860 | - 100 |
| 1m     | 21.15.2801 | 21.15.2811 | 21.15.2821 | 21.15.2831 | 21.15.2841 | 21.15.2851 | 21.15.2861 | - 100 |
| 1.5m   | 21.15.2804 | 21.15.2814 | 21.15.2824 | 21.15.2834 | 21.15.2844 | 21.15.2854 | 21.15.2864 | - 100 |
| 2m     | 21.15.2802 | 21.15.2812 | 21.15.2822 | 21.15.2832 | 21.15.2842 | 21.15.2852 | 21.15.2862 | - 100 |
| 3m     | 21.15.2803 | 21.15.2813 | 21.15.2823 | 21.15.2833 | 21.15.2843 | 21.15.2853 | 21.15.2863 | - 50  |
| 5m     | 21.15.2805 | 21.15.2815 | 21.15.2825 | 21.15.2835 | 21.15.2845 | 21.15.2855 | 21.15.2865 | - 50  |
| 7.5m   | 21.15.2806 | 21.15.2816 | 21.15.2826 | 21.15.2836 | 21.15.2846 | 21.15.2856 | 21.15.2866 | - 40  |
| 10m    | 21.15.2807 | 21.15.2817 | 21.15.2827 | 21.15.2837 | 21.15.2847 | 21.15.2857 | 21.15.2867 | - 40  |
| 15m    | 21.15.2808 | 21.15.2818 | 21.15.2828 | 21.15.2838 | 21.15.2848 | 21.15.2858 | 21.15.2868 | - 30  |
| 20m    | 21.15.2809 | 21.15.2819 | 21.15.2829 | 21.15.2839 | 21.15.2849 | 21.15.2859 | 21.15.2869 | - 20  |

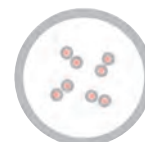
**ROLINE UTP DataCenter PatchCord Cat.6A (Cl. EA), LSOH, Slim, UltraShort Connector**
DATA CENTER  
ProductCat. 6A  
Class EA

U/UTP

- Patch cable for networking connections between devices.
- Prepared unshielded Twisted Pair cable with RJ-45 connectors on both ends.
- Durable due to moulded kink protection.
- **Slim, flexible cable, suitable for narrow bending.**
- Contact settings 1:1, in accordance with the EIA/TIA 568 standard.
- Construction: 4-pair stranded copper wire.
- Colour: grey / black / white



NEW

Halogenfree  
Flame retardant  
Low Smoke
**roline**<sup>®</sup>  
Designed for Professionals

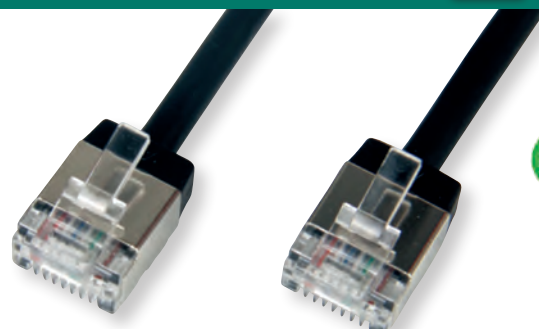
| Length | grey       | black      | white      | - P.U. |
|--------|------------|------------|------------|--------|
| 0.5 m  | 21.15.4400 | 21.15.4460 | 21.15.4470 | - 100  |
| 1 m    | 21.15.4401 | 21.15.4461 | 21.15.4471 | - 100  |
| 1.5 m  | 21.15.4404 | 21.15.4464 | 21.15.4474 | - 100  |
| 2 m    | 21.15.4402 | 21.15.4462 | 21.15.4472 | - 100  |
| 3 m    | 21.15.4403 | 21.15.4463 | 21.15.4473 | - 50   |
| 5 m    | 21.15.4405 | 21.15.4465 | 21.15.4475 | - 50   |

**ROLINE U/FTP DataCenter PatchCord Cat.6A (Cl.EA), LSOH, Slim, UltraShort Connector**
DATA CENTER  
ProductCat. 6A  
Class EA

U/FTP

Category 6A twisted-pair patch cable with shielded RJ-45 connectors on both sides. Particularly thin and flexible cable with individual pairs of wires in aluminium-laminated foil for use in confined spaces, such as in data centres.

- Durable thanks to moulded-on kink protection
- Suitable as patch cable in patch panels or as device connection cable and intended for use in the LAN
- Contact assignment: 1:1 according to EIA/TIA568, 8 cores
- Structure: 8 cores stranded wire, pairs shielded with alu-laminated foil
- Elastic and very flexible thanks to TPE outer sheath- best properties for cable ducts and similar applications where not much space is available



NEW

Halogenfree  
Flame retardant  
Low Smoke
**roline**<sup>®</sup>  
Designed for Professionals

| Length | grey       | black      | white      | - P.U. |
|--------|------------|------------|------------|--------|
| 0.5 m  | 21.15.4500 | 21.15.4560 | 21.15.4570 | - 100  |
| 1 m    | 21.15.4501 | 21.15.4561 | 21.15.4571 | - 100  |
| 1.5 m  | 21.15.4504 | 21.15.4564 | 21.15.4574 | - 100  |
| 2 m    | 21.15.4502 | 21.15.4562 | 21.15.4572 | - 100  |
| 3 m    | 21.15.4503 | 21.15.4563 | 21.15.4573 | - 50   |
| 5 m    | 21.15.4505 | 21.15.4565 | 21.15.4575 | - 50   |

**ROLINE S/FTP Patch Cord Cat.6A / Class EA, Stranded, TPE, LSOH**
DATA CENTER  
ProductCat. 6A  
Class EA

S/FTP

Assembled double shielded (PiMF) twisted pair cable category 6A with shielded RJ-45 connectors on both sides. For connecting an IP camera.

Patch cord for networking connections between devices in combination with application (e.g. connection to surveillance cameras)

- Prepared double shielded Twisted Pair cable with

screened RJ-45 connectors on both ends

- Durable due to moulded kink protection
- Suitable for PoE applications and multimedia applications where the extension is working over TP
- High quality plugs with gold plated contacts
- Contact settings 1:1, in accordance with the EIA/TIA 568 standard

- Construction: 4-pair stranded copper wire, complete braid shielding, pairs shielded with aluminium foil
- Tangle free

Halogenfree  
Flame retardant  
Low Smoke

NEW


**roline**<sup>®</sup>  
Designed for Professionals

|  | Order-No.  | - P.U. |
|--|------------|--------|
| ROLINE S/FTP Patch Cord Cat.6A / Class EA, Stranded, TPE, LSOH, tangle free, grey, 0.3 m | 21.15.4318 | - 100  |
| ROLINE S/FTP Patch Cord Cat.6A / Class EA, Stranded, TPE, LSOH, tangle free, grey, 0.5 m | 21.15.4310 | - 100  |
| ROLINE S/FTP Patch Cord Cat.6A / Class EA, Stranded, TPE, LSOH, tangle free, grey, 1 m   | 21.15.4311 | - 100  |
| ROLINE S/FTP Patch Cord Cat.6A / Class EA, Stranded, TPE, LSOH, tangle free, grey, 1.5 m | 21.15.4314 | - 100  |
| ROLINE S/FTP Patch Cord Cat.6A / Class EA, Stranded, TPE, LSOH, tangle free, grey, 2 m   | 21.15.4312 | - 100  |
| ROLINE S/FTP Patch Cord Cat.6A / Class EA, Stranded, TPE, LSOH, tangle free, grey, 3 m   | 21.15.4313 | - 50   |
| ROLINE S/FTP Patch Cord Cat.6A / Class EA, Stranded, TPE, LSOH, tangle free, grey, 5 m   | 21.15.4315 | - 50   |
| ROLINE S/FTP Patch Cord Cat.6A / Class EA, Stranded, TPE, LSOH, tangle free, grey, 7 m   | 21.15.4316 | - 40   |
| ROLINE S/FTP Patch Cord Cat.6A / Class EA, Stranded, TPE, LSOH, tangle free, grey, 10 m  | 21.15.4317 | - 40   |



**VALUE S/FTP Cable (Cat.7 / Cl. F), with RJ-45 connectors (500 MHz)**

Cat.7 Class F S/FTP

- The cheap solution for data transfer rates of up to 10 Gbit/s and a bandwidth of 500 MHz; up to 40Gbit/s for Cat.7 (cable material is able to transfer category 7- 600 MHz).
- Patch cable for networking connections between devices. Prepared shielded Twisted Pair cable (PiMF) with RJ-45 connectors on both ends.
- Durable due to moulded kink protection.
- Flexible cable, suitable for narrow bending.
- Impedance: 100 Ohm.
- Contact settings 1:1, in accordance with the EIA/TIA 568 standard.
- Construction: 8 lines, pairs shielded with aluminium foil, complete braided shielding.



|   | Order-No. – P.U. |
|---|------------------|
| VALUE S/FTP Cable (Cat.7), with RJ-45 connectors (500 MHz), grey, 0.5 m | 21.99.0850 – 100 |
| VALUE S/FTP Cable (Cat.7), with RJ-45 connectors (500 MHz), grey, 1.0 m | 21.99.0851 – 100 |
| VALUE S/FTP Cable (Cat.7), with RJ-45 connectors (500 MHz), grey, 2.0 m | 21.99.0852 – 100 |
| VALUE S/FTP Cable (Cat.7), with RJ-45 connectors (500 MHz), grey, 3.0 m | 21.99.0853 – 50  |
| VALUE S/FTP Cable (Cat.7), with RJ-45 connectors (500 MHz), grey, 5.0 m | 21.99.0855 – 50  |

**ROLINE S/FTP Cable (Cat.7 / Cl. F), with RJ-45 connectors (500 MHz), LSOH**

Cat.7 Class F S/FTP

- The cheap solution for data transfer rates of up to 10 Gbit/s for Cat.6a bandwidth of 500 MHz; up to 40 Gbit/s for Cat.7 (cable material is able to transfer Category 7- 600 MHz)
- Patch cord for networking connections between devices
- Prepared shielded Twisted Pair cable (PiMF) with RJ-45 connectors on both ends
- Durable due to moulded kink protection
- Flexible cable, suitable for narrow bending
- Impedance: 100 Ohm
- Colour: grey
- Contact settings 1:1, in accordance with the EIA/TIA 568 standard
- Construction: 8 lines + pairs shielded with aluminium foil, complete shielding in tinned copper braid



Halogenfree  
Flame retardant  
Low Smoke

|  | Order-No. – P.U. |
|--|------------------|
| ROLINE S/FTP Cable (Cat.7), with RJ-45 connectors (500 MHz), LSOH, grey, 0.5 m | 21.15.0854 – 100 |
| ROLINE S/FTP Cable (Cat.7), with RJ-45 connectors (500 MHz), LSOH, grey, 1.0 m | 21.15.0851 – 100 |
| ROLINE S/FTP Cable (Cat.7), with RJ-45 connectors (500 MHz), LSOH, grey, 2.0 m | 21.15.0852 – 100 |
| ROLINE S/FTP Cable (Cat.7), with RJ-45 connectors (500 MHz), LSOH, grey, 3.0 m | 21.15.0853 – 50  |
| ROLINE S/FTP Cable (Cat.7), with RJ-45 connectors (500 MHz), LSOH, grey, 5.0 m | 21.15.0855 – 50  |

**ROLINE U/FTP Data Center Cable Cat.7 / Class F, with RJ45 Plug, 500 MHz, LSOH, Slim**

Cat.7 Class F U/FTP

**Category 7 twisted-pair cable with RJ45 (500MHz) connectors on both sides. Particularly thin and flexible cable with individual pairs of wires in aluminium-laminated foil for use in confined spaces, such as in data centres.**

- Durable cable thanks to moulded-on bend protection
- Suitable as a cable in patch panels or as device connection cable and intended for use in the LAN
- Contact assignment: 1:1 according to EIA/TIA568, 8 cores
- Structure: 8 cores stranded wire



Halogenfree  
Flame retardant  
Low Smoke

|  | Order-No. – P.U. |
|--|------------------|
| ROLINE U/FTP Data Center Cable Cat.7, with RJ45 Plug, 500 MHz, LSOH, slim, 0.5 m | 21.15.1710 – 100 |
| ROLINE U/FTP Data Center Cable Cat.7, with RJ45 Plug, 500 MHz, LSOH, slim, 1.0 m | 21.15.1711 – 100 |
| ROLINE U/FTP Data Center Cable Cat.7, with RJ45 Plug, 500 MHz, LSOH, slim, 1.5 m | 21.15.1714 – 100 |
| ROLINE U/FTP Data Center Cable Cat.7, with RJ45 Plug, 500 MHz, LSOH, slim, 2.0 m | 21.15.1712 – 100 |
| ROLINE U/FTP Data Center Cable Cat.7, with RJ45 Plug, 500 MHz, LSOH, slim, 3.0 m | 21.15.1713 – 50  |
| ROLINE U/FTP Data Center Cable Cat.7, with RJ45 Plug, 500 MHz, LSOH, slim, 5.0 m | 21.15.1715 – 50  |

## VALUE S/FTP Cable Cat.8 (Class I), Solid Wire, LSOH, Dca

DATA CENTER  
ProductCat.8  
Class I

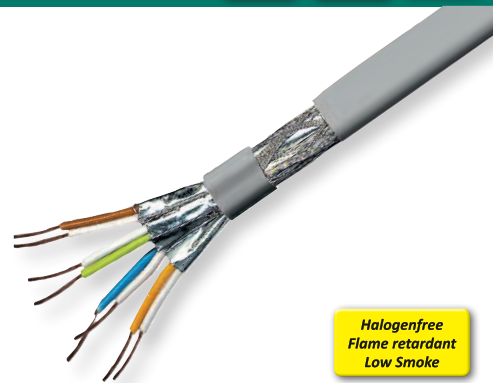
S/FTP

**Category 8, the standard for next-generation twisted-pair cabling, enables up to four times faster data transfer on the same cabling type and supports 25GBASE-T and 40GBASE-T short distance applications. Our Cat. 8 cables are halogen-free and flame-retardant (LSOH).**

- 100 meter / box
- Impedance: 100 Ohm
- Construction:
  - 8 lines, solid copper wire, AWG22
  - pairs shielded with aluminium foil
  - complete shielding in tinned copper braid
- Colour: grey
- CPR (Dca-S1a,d0,a1)

For a Cat.8 channel link S/FTP Cabling we recommend to use the following components:

- 21.99.1800 VALUE S/FTP Cable, Cat.8, Solid Wire, AWG22
- 21.99.1807 VALUE Cat.8 RJ45 Keystone, Jack, toolless
- 21.99.1804 VALUE Cat.8 Shielded Field Connector RJ45 plug
- 21.99.1801 to 21.99.1803 VALUE S/FTP Patch Cable Stranded Cat.8, grey (1m to 3m)



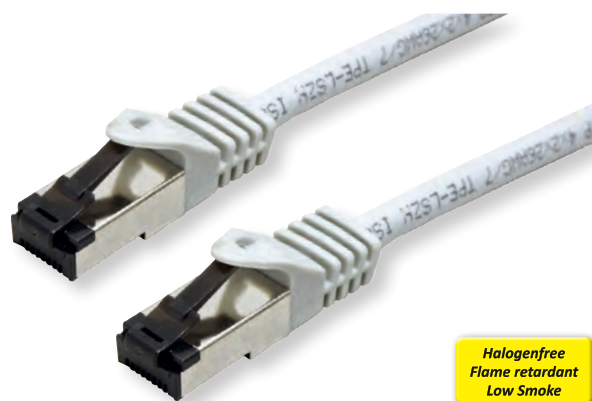
Halogenfree  
Flame retardant  
Low Smoke

Order-No. – P.U.

|  |                |
|--|----------------|
| VALUE S/FTP Cable Cat.8 (Class I), Solid Wire, LSOH, 100 m | 21.99.1800 – 1 |
|--|----------------|

## VALUE S/FTP Patch Cord Cat.8 (Class I), Stranded, LSOH

- Prepared double shielded Twisted Pair cable with screened RJ45 connector on both ends
- Suitable for PoE applications and multimedia applications where the extension is working over TP
- Suitable for 10 GBit to IEEE 802.3an and for Power over Ethernet
- Suitable for 25/40 GBit to IEEE 802.3bq applications (4-pair balanced twisted-pair cabling with 2 connectors over distances up to 30m)
- High quality plugs with gold plated contacts
- Contact settings 1:1, in accordance with the EIA/TIA 568 standard
- Construction: 4-pair stranded copper wire, complete braid shielding, pairs shielded with aluminium clad polyester foil



Halogenfree  
Flame retardant  
Low Smoke

Order-No. – P.U.

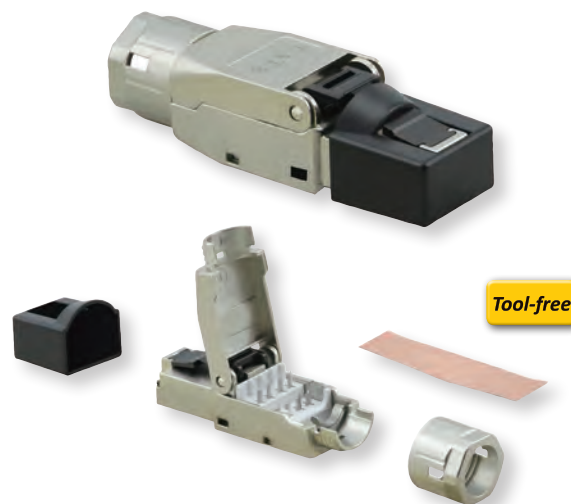
|   |                  |
|---|------------------|
| VALUE S/FTP Patch Cord Cat.8 (Class I), stranded, LSOH, grey, 1 m | 21.99.1801 – 100 |
|---|------------------|

|   |                  |
|---|------------------|
| VALUE S/FTP Patch Cord Cat.8 (Class I), stranded, LSOH, grey, 2 m | 21.99.1802 – 100 |
|---|------------------|

|   |                 |
|---|-----------------|
| VALUE S/FTP Patch Cord Cat.8 (Class I), stranded, LSOH, grey, 3 m | 21.99.1803 – 50 |
|---|-----------------|

## VALUE Cat.8 (Class I) Field Connector Plug RJ45

- Full shielded with zinc alloy housing
- T568A & T568B wiring
- Cat. 8 channel performance verified
- Cable wire gauge : 22AWG (0.65mm) to 26AWG (0.4mm) (solid / stranded)
- Cable outer diameter: 5.0 to 8.5mm
- Suitable for the PoE plus (IEEE 802.3at) applications
- Easy, quick and reliable installation, no special tool required
- The ring ensures 360° forwarding of the shielding of the cable to the shielding of the plug



Tool-free

Order-No. – P.U.

|   |                 |
|---|-----------------|
| VALUE Cat.8 (Class I) Field Connector Plug RJ45 | 21.99.1804 – 50 |
|---|-----------------|

## VALUE Keystone Jack, Cat.8 (Class I), RJ-45, STP, tool-free

**Cat.8 Keystones are ideal for use in 10 Gigabit Ethernet networks**

- Cat.8 Keystones are ideal for use in Gigabit Ethernet networks
- Support data transfer rates up to 10/25/40 Gbit/s with a bandwidth of 2000 MHz
- Connect the cable to the Keystones via LSA connections without special tools- place the cable ends simply into the guides (with color coding), close and compress the module- the connection is ready for use
- Cable entrance diameter range: 6mm- 8.5mm
- Cable wire gauge: 22AWG (0.65mm) to 26AWG (0.4mm) (solid / stranded)
- Wire coded scheme: EIA/TIA 568



Tool-free

Order-No. – P.U.

|   |                 |
|---|-----------------|
| VALUE Keystone Jack, Cat.8 (Class I), RJ-45, STP, tool-free, silver | 21.99.1807 – 50 |
|---|-----------------|

## Category 8 Cabling



The demand of bandwidth continues to increase, and most of the existing network cable infrastructures in data centers, which were designed earlier for an intended lifespan of more than 15 years, must face today's challenges and future requirements, which are often unpredictable.

Under these circumstances, the new standard Category 8 cabling has been developed and approved by TIA to provide numerous benefits for data centers looking to seamlessly add bandwidth for Ethernet.

Category 8, the standard for next-generation twisted-pair cabling specifications, allows the transport data up to four times faster on the same type of cabling already being used, supporting 25GBASE-T and 40GBASE-T applications for short distances (up to 30 meters) for switch-to-server connections (primarily in top-of-rack or end-of-row topologies)

### The advantages of Category 8 cabling:

- Category 8 offers four times the bandwidth of Category 6A cabling, with internal impairments specified up to 2 GHz
- Category 8 cables are shielded, though shielded cabling systems must be grounded, this is also not an issue in most data centers, since the connections are closer together. Shielding problems like ground loops can typically be avoided when both ends of the channel are in the same room and nearby
- Category 8 connectors use the familiar RJ45 interface. The jacks require proper grounding to the cable and to the device they are installed into (patch panel or outlet), therefore they are designed for field termination
- Category 8 number of connectors is limited to two connectors in the copper channel (excluding connections on end equipment), this is typically adequate in a data center environment and many common enterprise links.
- Maximum reach: 30 meter of channel (maximum 24m link cable + 2x 3m patch cable)

| Category | ISO Channel Class | Maximum Bandwidth | Maximum Ethernet Data Rate | Cabling System         | Connector Type                                |
|----------|-------------------|-------------------|----------------------------|------------------------|---|
| 6        | E                 | 250 MHz           | 1000 Mbit/s                | Unshielded or shielded | RJ45  |
| 6A       | EA                | 500 MHz           | 10 Gbit/s                  | Unshielded or shielded | RJ45  |
| 7*       | F                 | 600 MHz           | 10 Gbit/s                  | Shielded only          | Non-RJ45 (IEC 60603-7-71 and IEC 61076-3-104) |
| 7A*      | FA                | 1000 MHz          | 10 Gbit/s                  | Shielded only          | Non-RJ45 (IEC 60603-7-71 and IEC 61076-3-104) |
| 8        | 8.I and 8.II      | 2000 MHz          | 25 Gbit/s / 40 Gbit/s      | Shielded only          | Cat.8.1 RJ45 / Cat.8.2 Non-RJ45               |

\* Category 7 and 7A are not recognized by ANSI/TIA-568-C.2

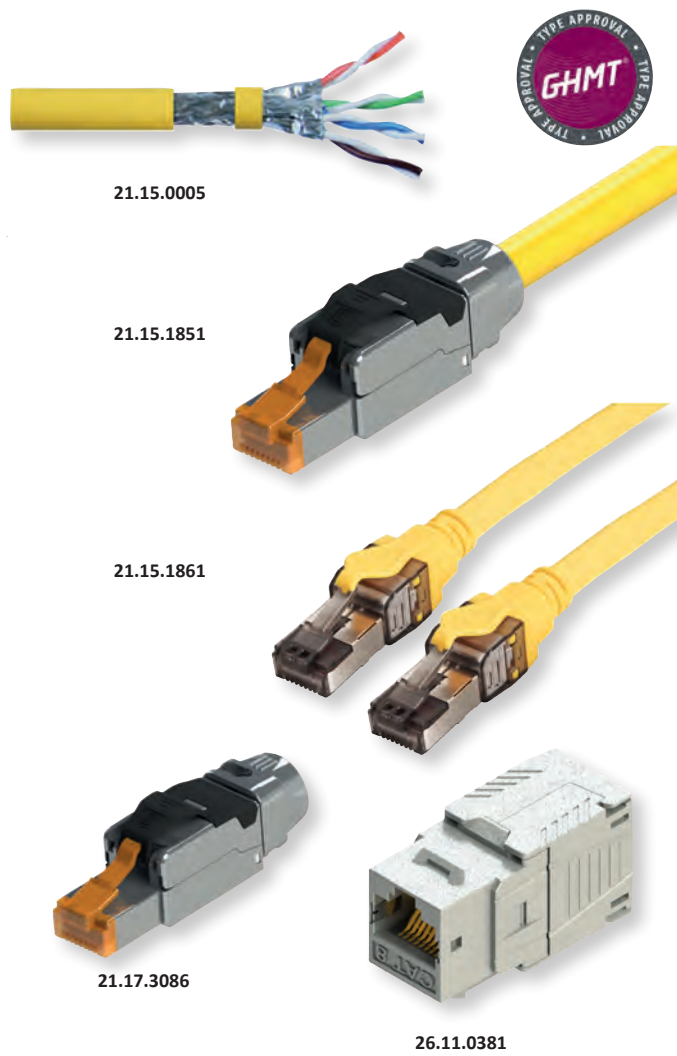
For a Cat.8 channel link S/FTP Cabling we recommend to use the following components:

- 21.15.0005 ROLINE S/FTP Cable, Cat.8, Solid Wire, AWG22 (24m)
- 26.11.0381 ROLINE Cat.8 RJ45 Keystone, Jack, toolless
- 21.17.3086 ROLINE Cat.8 Shielded Field Connector RJ45 plug
- 21.15.1851 to 21.15.1853 ROLINE S/FTP Patch Cable Solid Cat.8, Yellow (1m to 3m)
- 21.15.1861 to 21.15.1863 ROLINE S/FTP Patch Cable Stranded Cat.8, Yellow (1m to 3m)

The accredited German laboratory GHMT has tested and certified this product combination, in a 2 connector Channel of 30 meters, certificate no. z5236c-18-E.



Halogenfree  
Flame retardant  
Low Smoke



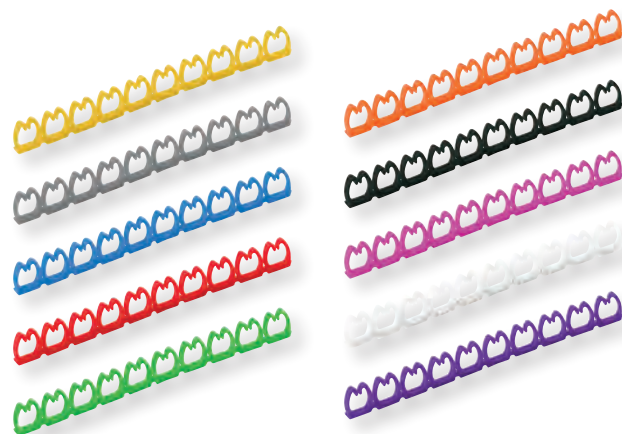
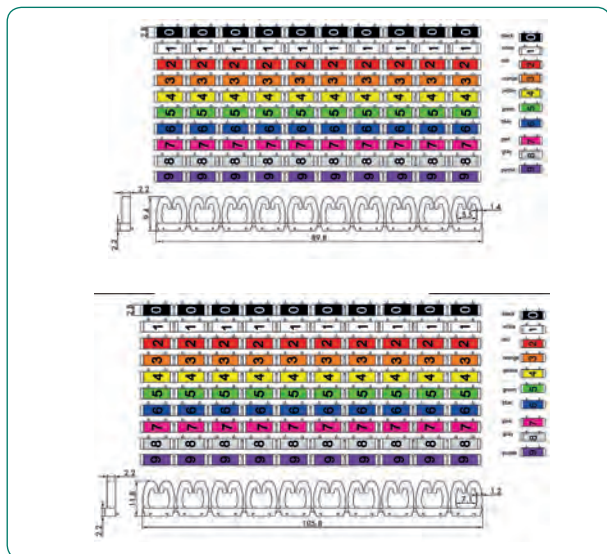
|  |                                      |
|--|--------------------------------------|
| ROLINE S/FTP Cable Cat.8, Solid Wire, LSOH, 100 m            | Order-No. – P.U.<br>21.15.0005 – 2   |
| ROLINE S/FTP Patch Cord Cat.8, solid, LSOH, yellow, 1.0 m    | Order-No. – P.U.<br>21.15.1851 – 100 |
| ROLINE S/FTP Patch Cord Cat.8, solid, LSOH, yellow, 2.0 m    | 21.15.1852 – 100                     |
| ROLINE S/FTP Patch Cord Cat.8, solid, LSOH, yellow, 3.0 m    | 21.15.1853 – 50                      |
| ROLINE S/FTP Patch Cord Cat.8, stranded, LSOH, yellow, 1.0 m | Order-No. – P.U.<br>21.15.1861 – 100 |
| ROLINE S/FTP Patch Cord Cat.8, stranded, LSOH, yellow, 2.0 m | 21.15.1862 – 100                     |
| ROLINE S/FTP Patch Cord Cat.8, stranded, LSOH, yellow, 3.0 m | 21.15.1863 – 50                      |
| ROLINE Cat.8 Field Connector Plug RJ45                       | Order-No. – P.U.<br>21.17.3086 – 50  |
| ROLINE Keystone Jack, Cat.8, RJ-45, STP, tool-free, silver   | Order-No. – P.U.<br>26.11.0381 – 50  |



## VALUE Cable Marker Set for Patchcables

NEW

- Colored marking rings, for marking e.g. network cables with an outer diameter of 4-5.5mm / 5-6.5mm
- 10 x 10 pieces (various colors)
- Cable identification with numbers from 0 to 9 for marking and differentiation
- Marking solution for cabling in industry, construction and trade
- Can be used for cable ducts and cable bundles
- Cable marking clips can also be used after cable installation
- Small pins and sockets allow the clips to be connected to each other
- Package unit 10 connectors / bag



Order-No. – P.U.

VALUE Cable Marker Set for Patchcables, 10 pcs., 4 - 5.5mm

25.99.5255 – 20

VALUE Cable Marker Set for Patchcables, 10 pcs., 5 - 6.5mm

25.99.5256 – 20

## VALUE Cat.5e / Cl. D 19" Patch Panel, 24 Ports, UTP

DATA CENTER  
Product

- The panel complies with the EIA/TIA 568 TSB40a standard
- The cable connection on the back is implemented via LSA-plus connection technology with colour coding on the top in accordance with EIA/TIA 568 A/B
- 24 unshielded ports



Order-No. – P.U.

VALUE Cat.5e / Cl. D 19" Patch Panel, 24 Ports, UTP, black

26.99.0349 – 5

## ROLINE Cat.5e / Cl. D 19" Patch Panel, 24 Ports, UTP

DATA CENTER  
Product

- The UTP patch panels are compliant with EIA/TIA 568 TSB40a
- LSA-plus technology
- 24 unshielded ports



Order-No. – P.U.

ROLINE Cat.5e / Cl. D 19" Patch Panel, 24 Ports, UTP, black

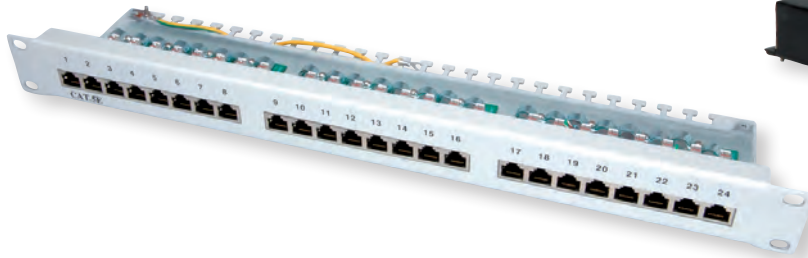
26.11.0349 – 5

  
Designed for Professionals

## VALUE Cat.5e / Cl. D 19" Patch Panel, 24 Ports, STP

DATA CENTER  
Product

- The VALUE Cat.5e patch panels comply with the EIA/TIA 568 TSB40a standard
- The cable connection on the back is implemented via LSA-plus connection technology with colour coding on the top in accordance with EIA/TIA 568
- Casing and covering hood of sheet steel
- 24 shielded Ports



Order-No. – P.U.

VALUE Cat.5e / Cl. D 19" Patch Panel, 24 Ports, STP, black 26.99.0328 – 5

VALUE Cat.5e / Cl. D 19" Patch Panel, 24 Ports, STP, light grey 26.99.0329 – 5

**Value**<sup>®</sup>

## ROLINE Cat.5e / Cl. D 19" Patch Panel, 24 Ports, STP

DATA CENTER  
Product

- The panels comply with the EIA / TIA 568 Cat. 5e TSB40A standard
- The cable connection on the back is implemented via LSA-plus connection technology with colour coding on the top in accordance with EIA/TIA 568
- Sheet steel housing and cover
- 24 shielded Ports



Order-No. – P.U.

ROLINE Cat.5e / Cl. D 19" Patch Panel, 24 Ports, STP, black 26.11.0328 – 3

ROLINE Cat.5e / Cl. D 19" Patch Panel, 24 Ports, STP, light grey 26.11.0329 – 3

**roline**<sup>®</sup>  
Designed for Professionals

## ROLINE Cat.5e / Cl. D Wall Mount Patch Panel

- The cable connection takes place using LSA plus cable clamps marked with the appropriate colour coding EIA / TIA 568A specifications. The screen connection and strain relief takes place using metallic cable clips.
- Housing and dust cover: metal



Order-No. – P.U.

ROLINE Cat.5e / Cl. D Wall Mount Patch Panel, 8 Ports, STP, black 26.11.0310 – 10

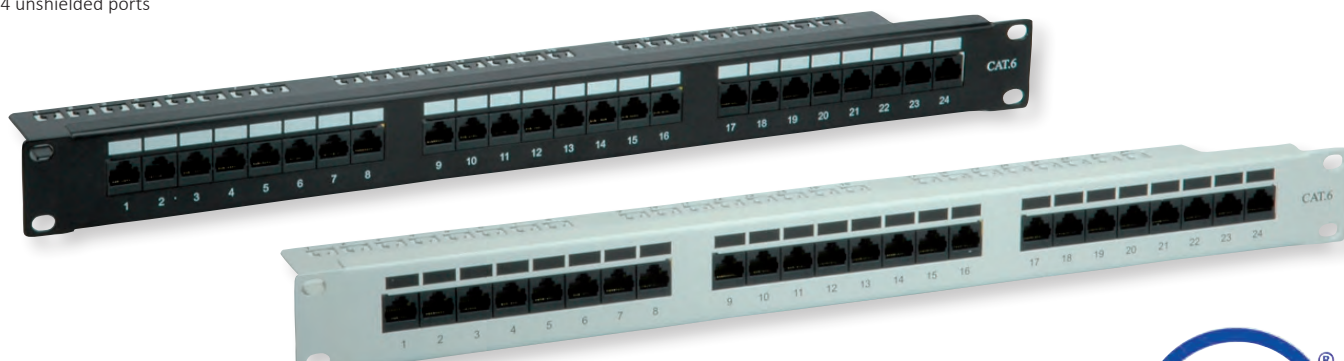
ROLINE Cat.5e / Cl. D Wall Mount Patch Panel, 8 Ports, STP, light grey 26.11.0304 – 10

**roline**<sup>®</sup>  
Designed for Professionals

## VALUE Cat.6/Cl. E 19" Patch Panel, 24 Ports, UTP

DATA CENTER  
Product

- Cost-effective VALUE patch panels for use in Fast Ethernet and Gigabit Ethernet networks
- The panels comply with the EIA/TIA 568A
- The cable connection on the back is implemented via LSA-plus connection technology with colour coding on the top in accordance with EIA/TIA 568
- 24 unshielded ports



Order-No. – P.U.

VALUE Cat.6/Cl. E 19" Patch Panel, 24 Ports, UTP, black 26.99.0362 – 5

VALUE Cat.6/Cl. E 19" Patch Panel, 24 Ports, UTP, light grey 26.99.0355 – 5

**Value**<sup>®</sup>

## VALUE Cat.6 / Cl. E 19" Patch Panel, 24 Ports STP

DATA CENTER  
Product

- The VALUE Cat.6/Class E 19" patch panels fulfil the Cat.6/Class E Permanent Link Standard and is ideal for Gigabit Ethernet networks
- Cable assembly takes place using LSA-plus piercing terminals with colour coding on the top in accordance with EIA/TIA 568
- Sheet steel housing and cover



Order-No. – P.U.

VALUE Cat.6/Cl. E 19" Patch Panel, 24 Ports, STP, black 26.99.0353 – 5

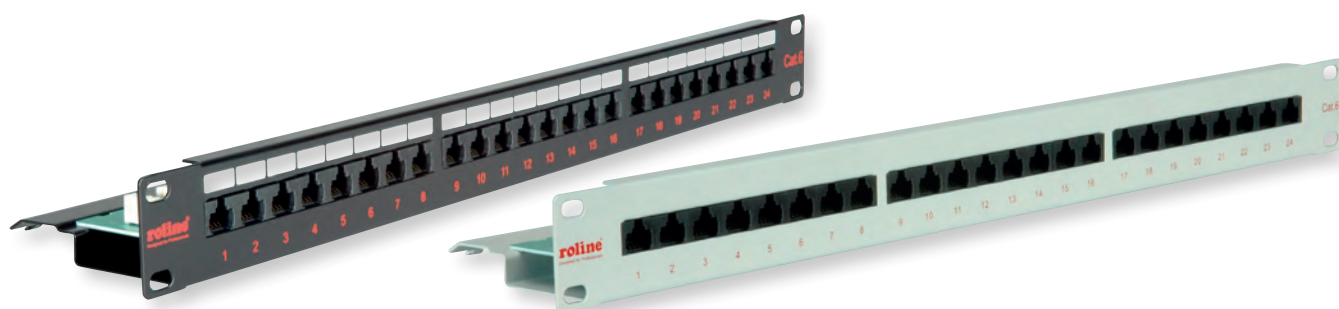
VALUE Cat.6/Cl. E 19" Patch Panel, 24 Ports, STP, grey 26.99.0354 – 5

**Value**<sup>®</sup>

## ROLINE Cat.6 / Cl. E 19" Patch Panel, 24 Ports UTP

DATA CENTER  
Product

- The ROLINE Cat.6/Class E 19" patch panels fulfil the Cat.6/Class E Permanent Link Standard and is ideal for Gigabit Ethernet networks
- Cable assembly takes place using LSA-plus piercing terminals with colour coding on the top in accordance with EIA/TIA 568



Order-No. – P.U.

ROLINE Cat.6/Cl. E 19" Patch Panel, 24 Ports, UTP, black 26.11.0362 – 3

ROLINE Cat.6/Cl. E 19" Patch Panel, 24 Ports, UTP, light grey 26.11.0355 – 3

**roline**<sup>®</sup>  
Designed for Professionals



**ROLINE Cat.6 / Cl. E 19" Patch Panel, 24 Ports STP**

DATA CENTER Product

- The ROLINE Cat.6/Class E 19" patch panels fulfil the Cat.6/Class E Permanent Link Standard and is ideal for Gigabit Ethernet networks
- Cable assembly takes place using LSA-plus piercing terminals with colour coding on the top in accordance with EIA/TIA 568
- Sheet steel housing and cover



**roline**<sup>®</sup>  
Designed for Professionals

|   | Order-No. – P.U. |
|---|------------------|
| ROLINE Cat.6/Cl. E 19" Patch Panel, 24 Ports, STP, black      | 26.11.0361 – 3   |
| ROLINE Cat.6/Cl. E 19" Patch Panel, 24 Ports, STP, light grey | 26.11.0351 – 3   |

**VALUE Cat.6A / Cl. EA 19" Patch Panel, 24 Ports UTP**

DATA CENTER Product

- The VALUE Cat. 6A 19" patch panels fulfil the Cat. 6A/Class EA permanent link standard and are ideal for 10 Gigabit Ethernet networks
- Cable assembly takes place using LSA plus piercing terminals with colour coding on the top in accordance with EIA/TIA 568A
- Sheet steel



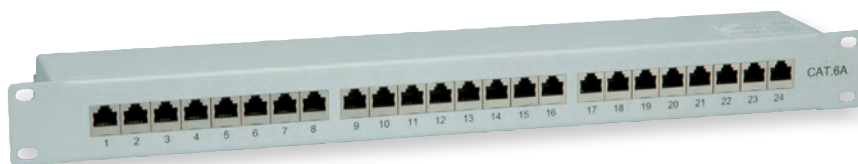
**Value**<sup>®</sup>

|   | Order-No. – P.U. |
|---|------------------|
| VALUE Cat.6A / Cl. EA 19" Patch Panel, 24 Ports, UTP, black | 26.99.0357 – 5   |

**VALUE Cat.6A / CL. EA 19" Patch Panel, 24 Ports STP**

DATA CENTER Product

- The VALUE Cat. 6A 19" patch panels fulfil the Cat. 6A/Class EA permanent link standard and are ideal for 10 Gigabit Ethernet networks
- Cable assembly takes place using LSA plus piercing terminals with colour coding on the top in accordance with EIA/TIA 568A
- Sheet steel housing and cover

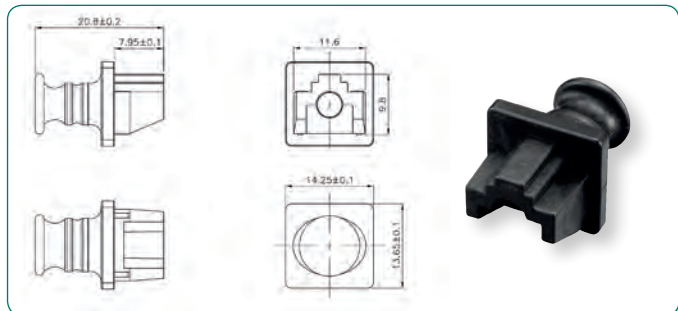


**Value**<sup>®</sup>

|   | Order-No. – P.U. |
|---|------------------|
| VALUE Cat.6A / Cl. EA 19" Patch Panel, 24 Ports, STP, black | 26.99.0364 – 5   |
| VALUE Cat.6A / Cl. EA 19" Patch Panel, 24 Ports, STP, grey  | 26.99.0365 – 5   |

## VALUE RJ45 Socket Dust Protector

- To protect RJ45/network sockets and patch panels against dust when ports are not in use
- Material: PVC
- Color: Black
- Content: 10 pcs.



Order-No. – P.U.

VALUE RJ45 Socket Dust Protector, black (1 set / 10 pieces)

26.99.0322 – 10

## ROLINE Cat.6A / Cl. EA 10" Patch Panel

- For smaller Network Installations 10"-Patch Panels are used
- This ROLINE 10"-Patchpanel offers 12 Ports
- Shielded version, Metal-Casing
- The Panel complies to the Standard of Cat. 6A/Cl. EA
- The cable connection on the back is implemented via LSA plus technology with colour coding in accordance with standard



**roline**  
Designed for Professionals

Order-No. – P.U.

ROLINE Cat.6A / Cl. EA 10" Patch Panel, 12 Ports, STP, grey

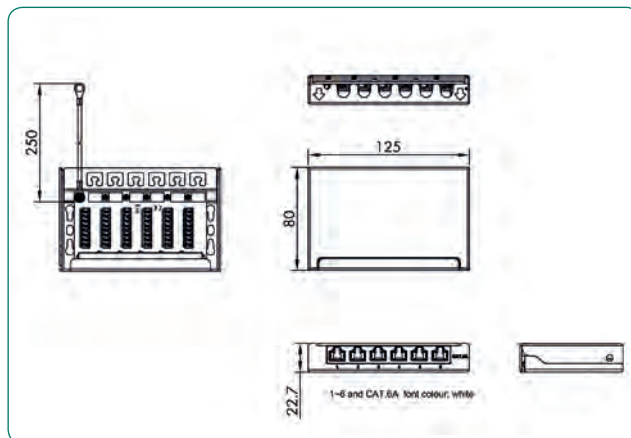
26.11.0316 – 5

## ROLINE Mini Patchpanel, Cat.6A/Cl.EA, 0.5UH, 6x RJ45 Ports, Shielded



- 0.5 U – Mini Patch panel
- Assembling of cables takes place over LSA-plus
- Color code based on the standard EIA/TIA 568 A and 568 B
- 6x RJ45 ports
- Color: Black

• Remark: DIN Rail available



Order-No. – P.U.

ROLINE Mini Patchpanel, Cat.6A/Cl.EA, 0.5U, 6x RJ45 Ports, shielded, black

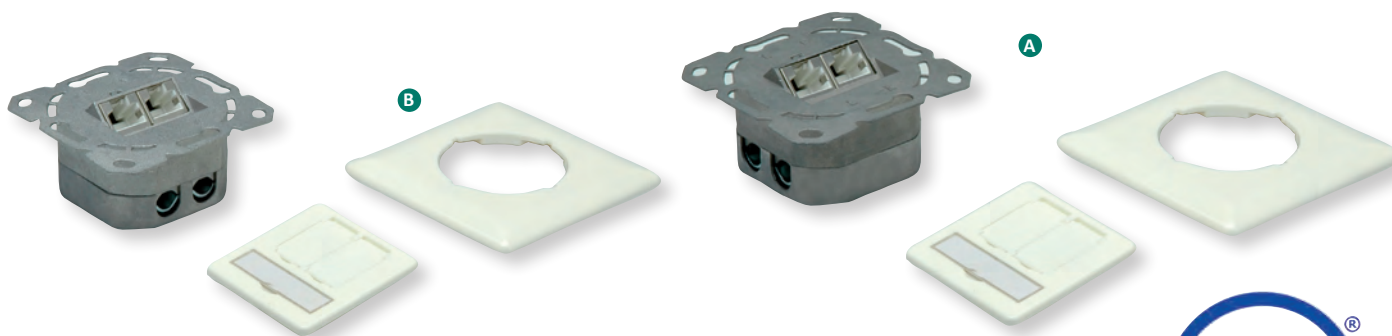
26.11.0299 – 10

**roline**  
Designed for Professionals



## VALUE Cat.6A / Cl. EA Flush Mount Wall Jack, STP

- The VALUE Cat.6A wall jacks fulfil the Cat.6/Class EA Permanent Link Standard and are ideal for gigabit ethernet networks
- Fully screened box in a metal housing, provides security against EMI (shielded version)
- Cable assembly takes place using LSAplus piercing terminals with colour coding on the top in accordance with EIA/TIA 568



Order-No. – P.U.

VALUE Cat.6A / Cl. EA Flush Mount Wall Jack, STP, horizontal, white A 25.99.8490 – 20

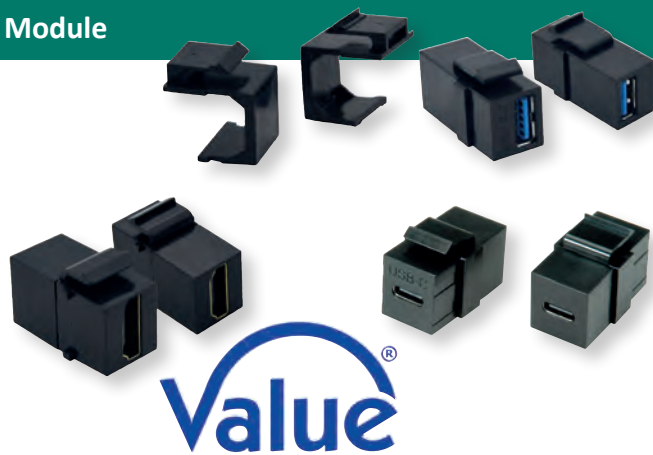
VALUE Cat.6A / Cl. EA Flush Mount Wall Jack, STP, vertical, white B 25.99.8491 – 20



**VALUE USB 3.0 / HDMI / Keystone Socket Cover / Type C Module**

**Ideal solution to easily connect a Macbook, Ultrabook, Notebook/Laptop or PC to a HDD/SSD through e.g. a floor tank, wall outlet or tablebox.**

- Keystone with two USB 3.0 F/F sockets
- Ideal for home offices, conference rooms and classrooms
- Contents: 1x Keystone



|  | Order-No. – P.U. |
|--|------------------|
| VALUE USB 3.0 Keystone Module, 1pc/set, black    | 25.99.8207 – 20  |
| VALUE HDMI Keystone Module, black                | 25.99.8208 – 20  |
| VALUE Keystone Socket Cover, 10pcs/set, black    | 25.99.8209 – 20  |
| VALUE USB Type C Keystone Module, 1pc/set, black | 25.99.8210 – 20  |

**ROLINE Cat.5e/Cat.6 Keystone Jack, RJ-45**

- For data transfer rates of up to 1000Mbit/s
- Cable assembly takes place using LSA-plus piercing terminals with colour coding on the top in accordance with EIA/TIA 568

**For a structured unshielded Cat.5e cabling system we recommend to use the following components:**

- ROLINE Cat.5e UTP Cable, Solid Wire, AWG24: 21.15.0512 (100 m), 21.15.0511 (300 m)
- Flush Mount Wall Jack for Keystone, unloaded: 25.16.8579
- ROLINE Cat.5e Keystone, RJ-45, unshielded: 26.11.0343 (light grey), 26.11.0342 (black)
- 19" Keystone Patch Panel, 24 Ports, unshielded: 26.11.0356 (light grey), 26.11.0357 (black)
- ROLINE Cat.5e UTP Patch Cord, grey, 5 m: 21.15.0505

**For a structured unshielded Cat.6 cabling system we recommend to use the following components:**

- ROLINE Cat.6 UTP Cable, Solid Wire, AWG23: 21.15.0990 (100 m), 21.15.0991 (300 m)
- Flush Mount Wall Jack for Keystone, unloaded: 25.16.8579
- ROLINE Cat.6 Keystone, RJ-45, unshielded: 26.11.0353
- 19" Keystone Patch Panel, 24 Ports, unshielded: 26.11.0356 (light grey), 26.11.0357 (black)
- ROLINE Cat.6 UTP Patch Cord, grey, 5 m: 21.15.0935

**For a structured shielded Cat.6 cabling system we recommend to use the following components:**

- ROLINE Cat.6 S/FTP Cable, Solid Wire, AWG23: 21.15.0890 (100 m), 21.15.0891 (300 m)
- ROLINE Flush Mount Wall Jack for Keystone, unloaded: 25.16.8579
- ROLINE Cat.6 Keystone, RJ-45, shielded: 26.11.0358
- ROLINE Cat.6 19" Keystone Patch Panel, 24 ports, shielded: 26.11.0359 (light grey), 26.11.0360 (black)
- ROLINE Cat.6 S/FTP Patch Cord, grey, 5 m: 21.15.0835

Our in-house laboratory has tested this cable-plug combination, in a Channel of 100 meters, in compliance with Class E specification.

|   | Order-No. – P.U.  |
|---|-------------------|
| ROLINE Cat.5e/Cl. D Keystone Jack, RJ-45, UTP, light grey       | A 26.11.0343 – 60 |
| ROLINE Cat.6/Cl. E Keystone Jack, RJ-45, UTP, tool-free, white  | B 26.11.0353 – 60 |
| ROLINE Cat.6/Cl. E Keystone Jack, RJ-45, STP, tool-free, silver | C 26.11.0358 – 60 |
| Flush Mount Wall Outlet for Keystone, 2-port                    | D 25.16.8579 – 20 |
| Surface Wall Mount Frame  | E 25.16.8484 – 20 |



**roline**  
Designed for Professionals

**ROLINE Keystone Jack, Cat.5e / Class D, RJ-45, UTP**

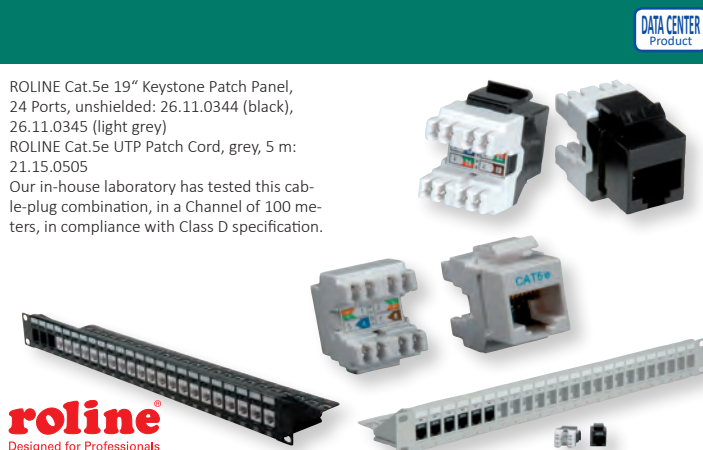
- The system is composed of a 19" patch panel frame and the UTP Cat.5e RJ-45 keystone jack
- Assembling takes place over LSA-plus
- Colour code on the keystone jacks based on the standard EIA/TIA 568 A and 568 B

**For a structured unshielded Cat.5e cabling system we recommend to use the following components:**

- ROLINE Cat.5e UTP Cable, Solid Wire, AWG24: 21.15.0512 (100 m), 21.15.0511 (300 m)
- ROLINE Flush Mount Wall Jack for Keystone, unloaded: 25.16.8579
- ROLINE Cat.5e Keystone, RJ-45, unshielded: 26.11.0343 (light grey), 26.11.0342 (black)

- ROLINE Cat.5e 19" Keystone Patch Panel, 24 Ports, unshielded: 26.11.0344 (black), 26.11.0345 (light grey)
  - ROLINE Cat.5e UTP Patch Cord, grey, 5 m: 21.15.0505
- Our in-house laboratory has tested this cable-plug combination, in a Channel of 100 meters, in compliance with Class D specification.

|   | Order-No. – P.U. |
|---|------------------|
| ROLINE Cat.5e / Cl. D Keystone Jack, RJ-45, UTP, black                  | 26.11.0342 – 60  |
| Keystone 19" Module frame Cat.5/Cat.6, 24 Ports, blank, UTP, black      | 26.11.0357 – 5   |
| ROLINE Cat.5e / Cl. D Keystone Jack, RJ-45, UTP, light grey             | 26.11.0343 – 60  |
| Keystone 19" Module frame Cat.5/Cat.6, 24 Ports, blank, UTP, light grey | 26.11.0356 – 5   |



**roline**  
Designed for Professionals

DATA CENTER  
Product

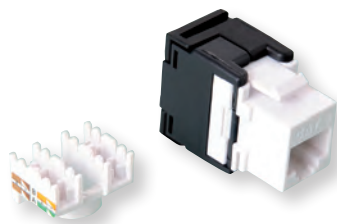


## VALUE Keystone Jack, Cat.6/Class E, RJ-45, UTP, 180°, Tool-free

Tool-free

**Cat.6/Class E Keystone jack for installation in a Keystone blank 19" patch panel module frame.**

- Unshielded construction
- Colour code on the keystone jacks is based on the standard EIA/TIA 568A and 568B
- Toolless installation
- Colour: white

**Order-No. – P.U.**

VALUE Keystone Jack, Cat.6/Class E, RJ-45, UTP, 180°, tool-free, white 26.99.0363 – 40

Keystone 19" Module frame Cat.5/Cat.6, 24 Ports, blank, UTP, light grey 26.11.0356 – 5

Keystone 19" Module frame Cat.5/Cat.6, 24 Ports, blank, UTP, black 26.11.0357 – 5

## ROLINE Keystone Jack, Cat.6/Class E, RJ-45, UTP, Tool-free

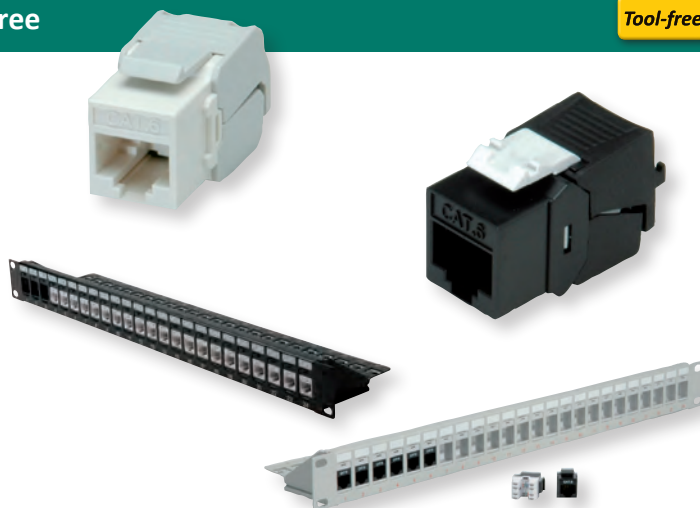
Tool-free

- The system is composed of a 19" patch panel frame and the UTP Cat.6 RJ-45 keystone jacks
- Assembling of cables and keystone takes place over LSA-plus or toolless
- Colour code on the keystone jacks, based on the standard EIA/TIA 568 A and 568 B

**For a structured unshielded Cat.6 cabling system we recommend to use the following components:**

- ROLINE Cat.6 UTP Cable, Solid Wire, AWG23: 21.15.0990 (100 m), 21.15.0991 (300 m)
- Flush Mount Wall Jack for Keystone, unloaded: 25.16.8579
- ROLINE Cat.6 Keystone, RJ-45, unshielded: 26.11.0352 (black), 26.11.0353 (white)
- 19" Keystone Patch Panel, 24 Ports, unshielded: 26.11.0356 (light grey), 26.11.0357 (black)
- ROLINE Cat.6 UTP Patch Cord, grey, 5 m: 21.15.0935

Our in-house laboratory has tested this cable-plug combination, in a Channel of 100 meters, in compliance with Class E specifications.



**Order-No. – P.U.**

ROLINE Keystone Jack, Cat.6/Class E, RJ-45, UTP, tool-free, black 26.11.0352 – 60

Keystone 19" Module frame Cat.5/Cat.6, 24 Ports, blank, UTP, black 26.11.0357 – 5

ROLINE Cat.6 Keystone Jack, RJ-45, UTP, tool-free, white 26.11.0353 – 60

Keystone 19" Module frame Cat.5/Cat.6, 24 Ports, blank, UTP, light grey 26.11.0356 – 5

**roline**  
Designed for Professionals

## ROLINE Keystone Jack, Cat.6/Class E, RJ-45, STP, Tool-free

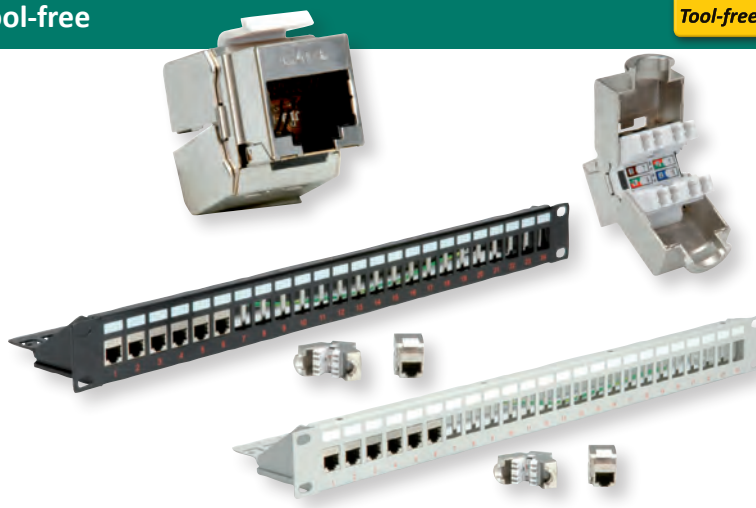
Tool-free

- The ROLINE Cat. 6/Class E 19" keystone patch panel system is composed of a 19" STP patch panel frame (please order separately!) and these shielded Cat.6 RJ-45 keystone jacks
- Colour code on the keystone jacks based on the standard EIA/TIA 568
- Colour: silver

**For a structured shielded Cat.6 cabling system we recommend to use the following components:**

- ROLINE Cat.6 S/FTP Cable, Solid Wire, AWG23: 21.15.0890 (100 m), 21.15.0891 (300 m)
- ROLINE Flush Mount Wall Jack for Keystone, unloaded: 25.16.8579
- ROLINE Cat.6 Keystone, RJ-45, shielded: 26.11.0358
- ROLINE Cat.6 19" Keystone Patch Panel, 24 ports, shielded: 26.11.0359 (light grey), 26.11.0360 (black)
- ROLINE Cat.6 S/FTP Patch Cord, grey, 5 m: 21.15.0835

Our in-house laboratory has tested this cable-plug combination, in a Channel of 100 meters, in compliance with Class E specification.



**Order-No. – P.U.**

ROLINE Cat.6/Class E Keystone Jack, RJ-45, STP, tool-free, silver 26.11.0358 – 60

Keystone 19" Module frame Cat.5/6/6A, 24 Ports, STP, black 26.11.0360 – 5

Keystone 19" Module frame Cat.5/6/6A, 24 Ports, STP, light grey 26.11.0359 – 5

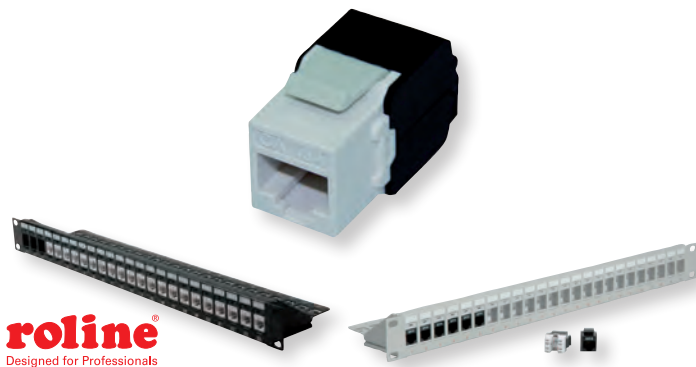
**roline**  
Designed for Professionals

**ROLINE Keystone Jack, Cat. 6A, RJ-45, UTP, Tool-free**

Tool-free

- The Cat.6A keystones support data transfer rates of up to 10 Gbit/s and a bandwidth of 500 MHz
- Colour code on the keystone jacks is based on the standard EIA/TIA 568
- Can be used together with Keystone Module frame 26.11.0357 (black) or 26.11.0356 (light grey), Flush Mount Wall Outlet for Keystones, 2-port (25.16.8579)
- Colour: white

|   | Order-No. – P.U. |
|---|------------------|
| ROLINE Keystone Jack, Cat. 6A, RJ-45, UTP, tool-free, white             | 26.11.0337 – 50  |
| Keystone 19" Module frame Cat.5/Cat.6, 24 Ports, blank, UTP, black      | 26.11.0357 – 5   |
| Keystone 19" Module frame Cat.5/Cat.6, 24 Ports, blank, UTP, light grey | 26.11.0356 – 5   |
| Flush Mount Wall Outlet for Keystones, 2-port                           | 25.16.8579 – 20  |
| Surface Wall Mount Frame  | 25.16.8484 – 20  |



**roline**  
Designed for Professionals

**VALUE Keystone, Cat.6A, RJ-45, STP, Tool-free**

Tool-free

**The low-cost solution for Cat 6A cabling for data rates up to 10Gbit/s!**

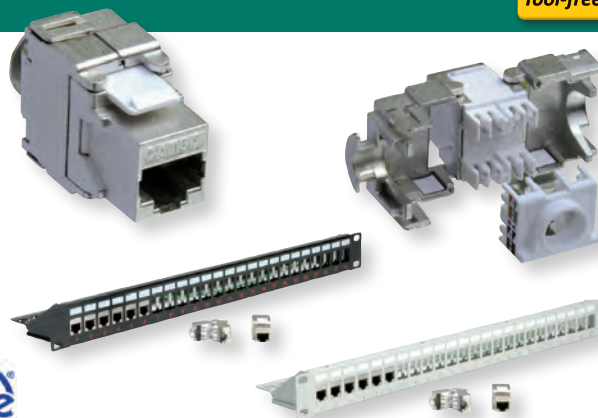
Cat.6/Class E Keystone jack for installation in a Keystone blank 19" patch panel module frame.

- Connect the cable to the Keystones on modified LSA connections
- Toolless mounting- without using a LSA

tool: cable wires are simply placed into the guides of Keystone module, the module is closed and compressed- the connection is ready for use

- Colour code on the Keystone jacks based on the standard EIA/TIA 568 A & B
- Colour: silver

|   | Order-No. – P.U. |
|---|------------------|
| VALUE Cat.6A Keystone, RJ-45, STP, tool-free, silver                    | 26.99.0366 – 40  |
| Keystone 19" Module frame Cat.5/Cat.6/Cat.6A, 24 Ports, STP, black      | 26.11.0360 – 5   |
| Keystone 19" Module frame Cat.5/Cat.6/Cat.6A, 24 Ports, STP, light grey | 26.11.0359 – 5   |
| Flush Mount Wall Outlet for Keystones, 2-port                           | 25.16.8579 – 20  |
| Surface Wall Mount Frame  | 25.16.8484 – 20  |



**Value**

**ROLINE Keystone Jack, Cat.6A, RJ-45, STP, Tool-free**

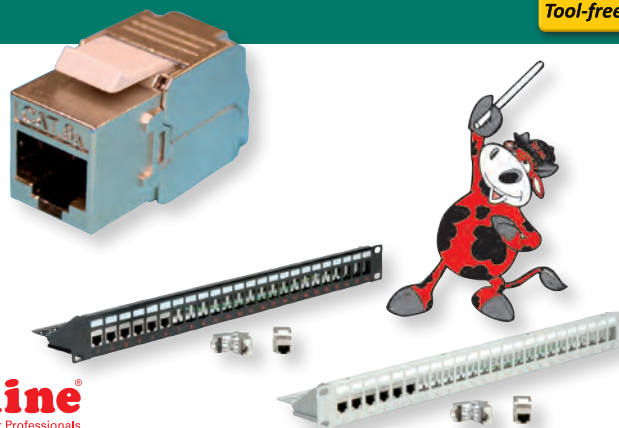
Tool-free

**Keystone in proven ROLINE quality!**

- The ROLINE Cat.6A Keystones are ideal for use in Gigabit Ethernet networks. They support data transfer rates up to 10 Gbit/s with a bandwidth of 500 MHz
- Connect the cable to the Keystones via LSA connections without special tools - place the cable ends simply into the guides (with color coding), close and compress the module- the connection is ready for use

- The Keystone modules can be „latched“ into a 19" module support rack, which is optionally available in black (26.11.00360) or light gray (26.11.0359). Or in combination with a module receptacle (25.16.8579) you can realise a junction box.
- The Keystones are coded according to EIA/TIA 568

|   | Order-No. – P.U. |
|---|------------------|
| ROLINE Keystone Jack, Cat.6A, RJ-45, STP, tool-free, silver             | 26.11.0367 – 50  |
| Keystone 19" Module frame Cat.5/Cat.6/Cat.6A, 24 Ports, STP, black      | 26.11.0360 – 5   |
| Keystone 19" Module frame Cat.5/Cat.6/Cat.6A, 24 Ports, STP, light grey | 26.11.0359 – 5   |



**roline**  
Designed for Professionals

**VALUE Keystone Jack, Cat.6A, RJ-45, STP, tool-free, SLIM**

**Keystone in Cat.6A quality for use in 10 Gigabit Ethernet networks with a bandwidth of 500 MHz - now in a particularly slim design**

- The cables are connected to the keystones without tools- the cable cores are simply inserted into the guides; the module is closed and compressed- the connection is ready
- Keystones with printed colour coding according to EIA / TIA 568
- The Keystone modules can be latched into a 19" module carrier (26.11.0360 / 26.11.0359 or 26.99.0331 / 26.99.0332) with earthing connection. Or they become a junction box together with a module holder 25.16.8579
- The VALUE Cat.6A/Class EA 19" keystones meet the transmission requirements of a Cat.6A/Class EA Link
- The particularly slim design offers you considerable advantages in high-density network environments

|  | Order-No. – P.U. |
|--|------------------|
| VALUE Keystone Jack, Cat.6A, RJ-45, STP, tool-free, SLIM, silver | 26.99.0375 – 10  |

**Value**



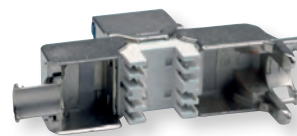
## VALUE Cat.6A / Cl. EA Keystones, RJ-45, Tool-free

Tool-free

**The low-cost solution for Cat 6.A cabling for data rates up to 10Gbit/s!**  
**Cat.6A/Class EA Keystone jack for installation in a Keystone blank 19" patch panel module frame.**

- Toolless mounting- without using a LSA tool: cable wires are simply placed into the guides of Keystone module, the module is closed and compressed- the connection is ready for use
- Cat.6A Keystone Jack (Module) UTP/STP
- Unshielded/shielded housing
- Contacts gold plated
- Slim type
- With plastic internal shutter black
- 180 degree cable entry

- Support PoE per IEEE 802.3af, PoE+ per IEEE 802.3at
- For cable AWG 22-24(0.45-0.65mm)
- For cable OD: 5.0-8.5mm
- Color code on the Keystone jacks based on the standard EIA/TIA 568 A & B
- Dimensions (L x W x H): 37.9x 15.8 x 22.2mm



Order-No. – P.U.

VALUE Cat.6A / Cl. EA Keystone, RJ-45, UTP, with shutter, tool-free 26.99.0377 – 50

VALUE Cat.6A / Cl. EA Keystone, RJ-45, STP, with shutter, tool-free 26.99.0378 – 50

**Value**<sup>®</sup>

## ROLINE Cat.6A / Cl. EA Keystones, RJ-45, Tool-free

Tool-free

**The low-cost solution for Cat.6A cabling for data rates up to 10Gbit/s!**  
**Cat.6A/Class EA Keystone jack for installation in a Keystone blank 19" patch panel module frame.**

- Toolless mounting- without using a LSA tool: cable wires are simply placed into the guides of Keystone module, the module is closed and compressed- the connection is ready for use
- Cat.6A Keystone Jack (Module) UTP
- Unshielded housing
- Contacts gold plated
- Slim type
- With plastic internal shutter black

- 180 degree cable entry
- Support PoE per IEEE 802.3af, PoE+ per IEEE 802.3at
- For cable AWG 22-24(0.45-0.65mm)
- For cable OD: 5.0-8.5mm
- Color code on the Keystone jacks based on the standard EIA/TIA 568 A & B
- Dimensions (L x W x H): 37.9x 15.8 x 22.2mm



Order-No. – P.U.

ROLINE Cat.6A / Cl. EA Keystone, RJ-45, UTP, with shutter, tool-free, black 21.17.0320 – 50

ROLINE Cat.6A / Cl. EA Keystone, RJ-45, STP, with shutter, tool-free, silver 21.17.0326 – 50

**roline**<sup>®</sup>  
 Designed for Professionals

## ROLINE Cat.6/6A Keystone Jacks, SLIM

Tool-free

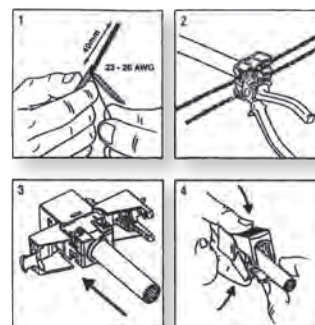
**Cat.6 Keystones in ROLINE quality for use in Gigabit Ethernet networks or in Cat.6A 10 Gigabit Ethernet networks with a bandwidth of 500 MHz**

- Connect the cable to the Keystones without the use of tools- the cable wires are simply placed in the guides, the module should be closed and compressed- ready is the connection
- Toolless Assembling
- The Keystone modules can be hooked into a 19" module (unshielded: 26.11.0357 26.11.0356 in black or light gray / black or shielded 26.11.0360 26.11.0359 in light gray). Or together with a flush mount wall jack module for keystones 25.16.8579 they become a junction box

- Colour code on the keystone jacks is based on the standard EIA/TIA 568
- The ROLINE Cat 6 / Class E 19"-Keystones satisfy the transmission properties of a Cat 6 / Class E links
- The ROLINE Cat 6A / Class EA 19"-Keystones meet the transmission properties of a Cat 6A / Class EA links
- Unique wire management stuffer cap separates pairs, prevents crossed pairs, and reduces crosstalk

### Shielded Versions:

- Shield housing made of die-cast solid zinc for better ANEXT and EMI protection.



Order-No. – P.U.

ROLINE Cat.6/Class E Keystone Jack SLIM, RJ-45, UTP, tool-free, black 26.11.0375 – 50

ROLINE Cat.6/Class E Keystone Jack SLIM, RJ-45, STP, tool-free, silver 26.11.0377 – 50

ROLINE Cat.6A / Cl. EA, Keystone Jack SLIM, RJ-45, UTP, tool-free, black 26.11.0376 – 50

ROLINE Cat.6A / Cl. EA, Keystone Jack SLIM, RJ-45, STP, tool-free, silver 26.11.0378 – 50

**roline**<sup>®</sup>  
 Designed for Professionals



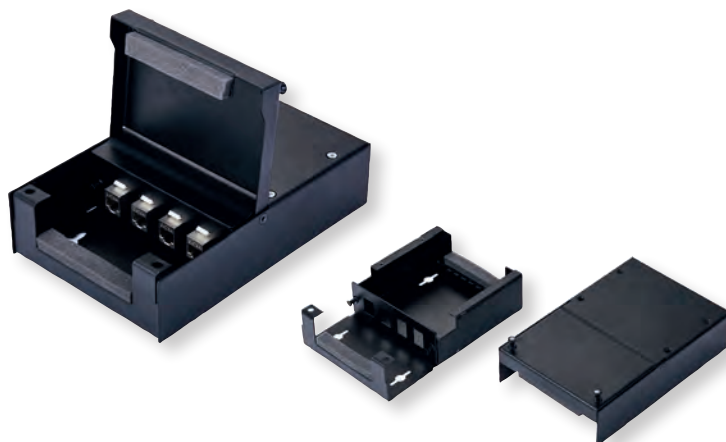
## VALUE Distribution/Consolidation Box, 4 Keystones

Distribution boxes can increase the flexibility of desk locations in open office environments. They are also designed for use as consolidation points and they can be useful in offices where frequent relocation of outlets in the work area is required. Easy to install on walls, under raised floors.

- Compatible with all snap-in connectors (keystones), which can be easily inserted/removed by a simple one click movement.
- Box for 4 modules RJ45 keystone connectors
- Mounting holes for UTP/STP keystones
- Hinged lid
- Cable openings at front protected by hinged cover and rear with dust protection cover
- Material: steel



- Color: black (similar to RAL9005)
- Space saving, easy to install
- Remark: Keystones are not included. Please order them separately.



Order-No. – P.U.

VALUE Distribution/Consolidation Box, 4 Keystones, black

26.99.0330 – 10

## VALUE Keystone Module Frame 8 / 12 Ports, blank, UTP

- Patch panel module frame for UTP Cat.5 / Cat.6 RJ-45 keystone jacks
- Assembling of cables and keystones takes place over LSA-plus
- Color code on the keystone jacks, based on the standard EIA/TIA 568 A and 568 B
- 8 ports
- Color: Black

- Remark: Keystones are not included. Please order them separately.



Order-No. – P.U.

Keystone Module frame, 8x RJ45, blank, UTP, black

26.99.0331 – 5

Keystone Module frame, 12x RJ45, blank, UTP, black

26.99.0332 – 5

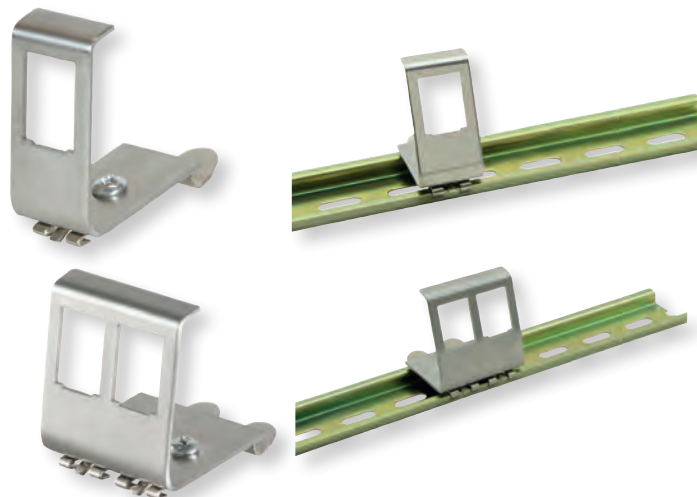
## VALUE DIN Rail Adapter, Empty, 1x / 2x Keystones

### DIN Rail Adapter, empty for 1x / 2x Keystones

- Stainless Steel DIN-Rail Adapter for Keystone, coupler
- For carrying Keystone modules

**Note: Delivery without Keystone Modules**, please order them separately

- Contents: 1x Adapter



Order-No. – P.U.

VALUE DIN Rail Adapter, empty, 1x Keystone

21.99.3008 – 10

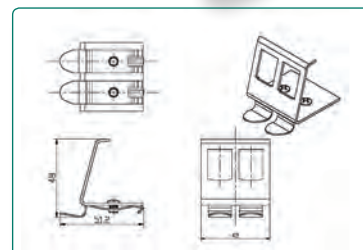
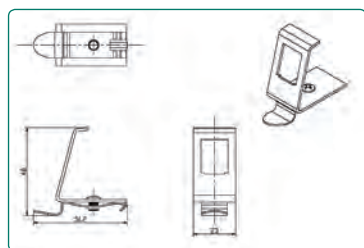
VALUE DIN Rail Adapter, empty, double for 2x Keystones

21.99.3009 – 10

## ROLINE DIN Rail Adapter for Keystones

- Stainless Steel DIN-Rail Adapter for Keystone, coupler
- For carrying Keystone modules
- For example, an 8-pole e.g. ROLINE Cat. 6A Keystone 26.11.0353/.0358/.0366...

**Note: Delivery without Keystone Modules**



**Order-No. – P.U.**

ROLINE DIN Rail Adapter, empty, 1x for one Keystone 21.13.1307 – 10

ROLINE DIN Rail Adapter, empty, double for 2x Keystones 21.13.1308 – 10

**roline**<sup>®</sup>  
Designed for Professionals

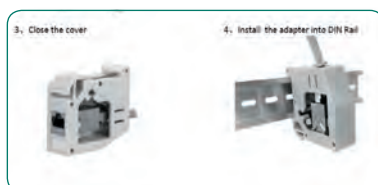
## ROLINE Keystone Holder for DIN Rail

- Cable access variable 45° from the top or at the bottom, connection direction 45° downwards (26.11.0339)
- Cable straight access (180°) from the top or at the bottom, (26.11.0340)
- Construction width 1 unit
- Potential equalization via an integrated potential equalization plate
- Integrated dust cover
- Snap mechanism
- Suitable modules: 26.11.0375 ... 26.11.0378

**Note: Delivery without Keystone Modules**



**roline**<sup>®</sup>  
Designed for Professionals



**Order-No. – P.U.**

ROLINE Keystone Holder (for 26.11.0375-0378), empty, DIN Rail, 45° 26.11.0339 – 20

ROLINE Keystone Holder (for 26.11.0375-0378), empty, DIN Rail, 180° 26.11.0340 – 20



26.11.0339

**NEW**

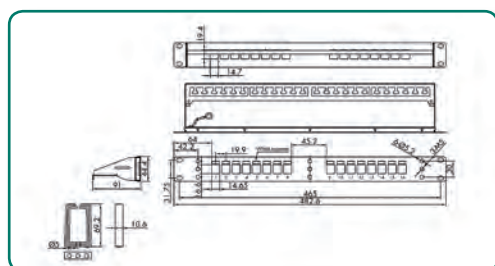


26.11.0340

## ROLINE Keystone 19" Module Frame Cat.5/6/6A, 16 Ports, STP, w. Cable Management

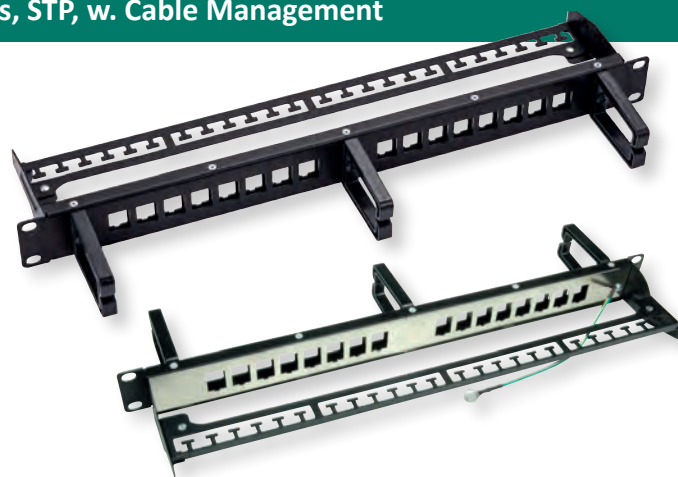
- 19" Patch panel module frame for shielded Cat.5 / Cat.6 / Cat. 6A RJ-45 keystone jacks
- 16 ports
- Color: Black

**Remark: Keystones are not included. Please order them separately.**



**Order-No. – P.U.**

ROLINE Keystone 19" Module Frame Cat.5/6/6A, 16 Ports, STP 26.11.0363 – 10



**roline**<sup>®</sup>  
Designed for Professionals

### RJ-45 Keystone Modular Couplers, Cat.6

- The couplers are available in 2 versions:
  - shielded with metal housing, colour: silver
  - unshielded with plastic housing, colour: black
- The couplers are able to extend Cat.6 cables
- All couplers with eight contacts, 1:1 connected
- Can be installed in suitable keystone patch panels, e. g.:
  - Keystone Blank Patch Panel, 24 Ports, unshielded, light grey (26.11.0356)
  - Keystone Blank Patch Panel, 24 Ports, unshielded, black (26.11.0357)
  - Keystone Blank Patch Panel, 24 Ports, shielded, light grey (26.11.0359)
  - Keystone Blank Patch Panel, 24 Ports, shielded, black (26.11.0360)



|   | Order-No.    | P.U. |
|---|--------------|------|
| VALUE RJ-45 Keystone Modular Coupler, Cat.6, UTP, black   | A 21.99.3003 | - 20 |
| VALUE RJ-45 Keystone Modular Coupler, Cat.6, STP          | B 21.99.3004 | - 20 |
| ROLINE RJ-45 Keystone Modular Coupler, Cat.6, STP, silver | B 21.17.3004 | - 20 |



### VALUE Cat.6A Keystone Modular Coupler, STP

- The shielded RJ-45 couplers are able to extend Twisted Pair Cat.6a cables
- Best transmission characteristics for pair combination 1/2 and 3/6 (as used by all Ethernet versions)
- Whole Housing of metal to safe the signals against electrical and magnetical interferences
- 8 contacts, 1:1 connected



|  | Order-No.  | P.U. |
|--|------------|------|
| VALUE Cat.6A Keystone Modular Coupler, STP | 21.99.3006 | - 20 |

### ROLINE Cat.6A Keystone Modular Coupler, STP

- The shielded RJ-45 couplers are able to extend Twisted Pair Cat.6a cables
- Best transmission characteristics for pair combination 1/2 and 3/6 (as used by all Ethernet versions)
- Hole Housing of metal to safe the signals against electrical and magnetical interferences
- 8 contacts, 1:1 connected

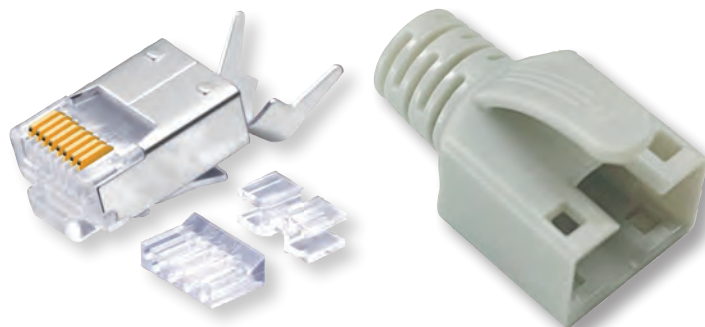


|   | Order-No.  | P.U. |
|---|------------|------|
| ROLINE Cat.6A Keystone Modular Coupler, STP | 21.17.3006 | - 20 |

### ROLINE Cat.6 (Class E) Modular Plug, STP, Short Body + Kink Protection Hood

- First choice for a stable connection in a limited space
- Reduces the physical volume and increases space efficiency
- Are shorter than regular RJ45 connectors and can still be flexibly shuttled even in a small space
- Widely used in engineering construction, or other network cable installation (surveillance cameras...)
- Cat.6 modular plugs, 8P8C
- Shielded, gold plated contacts
- For solid wire / stranded round cables with OD max. 7.0mm
- For cables with the insulation OD from 0.94-1.1mm
- With insert
- Package unit: 10 connectors
- Kink protection hood is suitable for cables with max. OD (outer diameter): 7.0mm

**REMARK:**  
Kink protection hood (21.99.3096) only suitable in combination with 21.17.3095



|   | Order-No.  | P.U. |
|---|------------|------|
| ROLINE Cat.6 (Class E) Modular Plug, STP, short body, 10 pcs.       | 21.17.3095 | - 50 |
| ROLINE Kink Protection Hood for RJ45, for 21.17.3095, 10 pcs., grey | 21.17.3096 | - 50 |

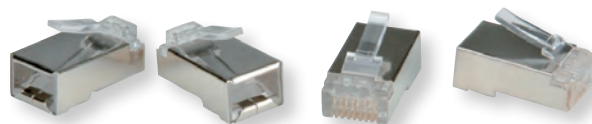




## ROLINE Modular Plugs

- For Cat.5e/Cat.6 cabling systems
- Modular plugs shielded/unshielded
- 12.01.1087/1089, 21.17.3060/3061 for stranded wire
- 21.17.3062/21.17.3063 for solid wire; with insert
- Package unit: 10 pieces

|   | Order-No. – P.U. |
|---|------------------|
| ROLINE Cat.5e Modular Plug, UTP, for Stranded Wire, 10 pcs. | 12.01.1087 – 100 |
| ROLINE Cat.5e Modular Plug, STP, for Stranded Wire, 10 pcs. | 12.01.1089 – 100 |
| ROLINE Cat.6 Modular Plug, UTP, for Stranded Wire, 10 pcs.  | 21.17.3060 – 50  |
| ROLINE Cat.6 Modular Plug, STP, for Stranded Wire, 10 pcs.  | 21.17.3061 – 50  |
| ROLINE Cat.6 Modular Plug, UTP, for Solid Wire, 10 pcs.     | 21.17.3062 – 50  |
| ROLINE Cat.6 Modular Plug, STP, for Solid Wire, 10 pcs.     | 21.17.3063 – 50  |

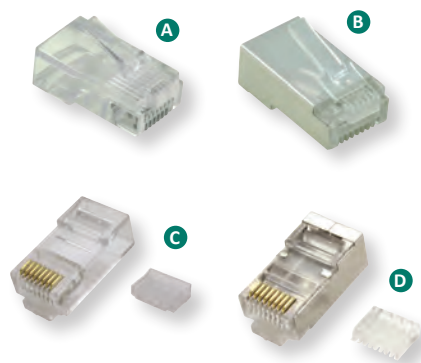


**roline**<sup>®</sup>  
Designed for Professionals

## VALUE Cat.6/6A Modular Plug, UTP, for Stranded Wire

- Modular Plugs unshielded
- Gold plated
- For stranded wire
- Package unit 10 /100 connectors

|   | Order-No. – P.U.  |
|---|-------------------|
| VALUE Cat.5e Modular Plug, UTP, for Stranded Wire, 10 pcs.    | A 21.99.3060 – 50 |
| VALUE Cat.5e Modular Plug, STP, for Stranded Wire, 10 pcs.    | B 21.99.3061 – 50 |
| VALUE Cat.6 Modular Plug, UTP, for Stranded Wire, 10 pcs.     | C 21.99.3062 – 50 |
| VALUE Cat.6 Modular Plug, STP, for Stranded Wire, 10 pcs.     | D 21.99.3063 – 50 |
| VALUE Cat.6/6A Modular Plug, UTP, for Stranded Wire, 100 pcs. | C 21.99.3064 – 5  |
| VALUE Cat.6/6A Modular Plug, STP, for Stranded Wire, 100 pcs. | D 21.99.3065 – 5  |



**Value**<sup>®</sup>

## VALUE Kink Protection Hood for RJ-45

- Kink protection hood for RJ45 cables
- Suitable for round cables with max. external diameter 6.5 mm
- Not suitable for HiRose plugs
- Package unit 10 connectors

|   | Order-No. – P.U. |
|---|------------------|
| VALUE Kink protection hood for RJ-45, grey, grey, 10 pcs. | 12.99.0000 – 10  |

**Value**<sup>®</sup>



## ROLINE Kink Protection Hood for RJ45, cuttable

- Designed to meet the various cable outer diameter demands from customers
- The new connector cover with the clear scale markings of jacket OD (outer diameter) provides more flexibility
- Can be cut to fit jacket OD from 5.5 mm to 8.5 mm
- Brings the advantage to use only one plug type of boots for different ODs,
- which reduces implicit inventory cost
- The used materials enhance the durability of the boot
- Cuttable with any sharp cutter, nipper and scissors
- Kink protection hood for RJ-45
- Package unit 10 connectors / bag

|   | Order-No. – P.U. |
|---|------------------|
| ROLINE Kink Protection Hood for RJ45, cuttable, 10 pcs., grey   | 12.01.1110 – 50  |
| ROLINE Kink Protection Hood for RJ45, cuttable, 10 pcs., red    | 12.01.1111 – 50  |
| ROLINE Kink Protection Hood for RJ45, cuttable, 10 pcs., yellow | 12.01.1112 – 50  |
| ROLINE Kink Protection Hood for RJ45, cuttable, 10 pcs., green  | 12.01.1113 – 50  |
| ROLINE Kink Protection Hood for RJ45, cuttable, 10 pcs., blue   | 12.01.1114 – 50  |
| ROLINE Kink Protection Hood for RJ45, cuttable, 10 pcs., black  | 12.01.1115 – 50  |



**roline**<sup>®</sup>  
Designed for Professionals



## VALUE Field Plug Cat.6 / Cl. E, UTP/STP

Tool-free

- Fast and easy tool-free installable unshielded/shielded RJ45 connector
- Cat.6/Class E performance according to ISO/IEC11801 and IEC60603-7
- Compact cable manager for round Solid cable AWG 23-26(1/0.41-1/0.575mm) and stranded cable AWG 24-26(7/0.16-7/0.20mm)
- For cable with outer diameter OD: 6.0- 9.0mm
- Pair management according to TIA 568B and TIA 568A colour codes
- Strain relief with cable tie and black transparent dust cup and boot
- Color: Transparent black

Value



Order-No. – P.U.

VALUE Field Plug Cat.6 / Cl. E, UTP

26.99.0370 – 50

VALUE Field Plug Cat.6 / Cl. E, STP

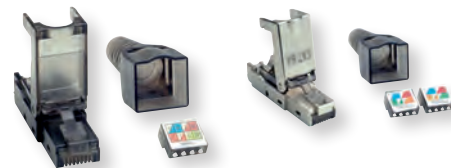
26.99.0371 – 50

## VALUE Field Plug Cat.6A / Cl. EA, UTP/STP

Tool-free

- Fast and easy tool-free installable unshielded/shielded RJ45 connector
- Cat.6A / Class EA performance according to ISO/IEC11801 and IEC60603-7
- Compact cable manager for round Solid cable AWG 23-26(1/0.41-1/0.575mm) and stranded cable AWG 24-26(7/0.16-7/0.20mm)
- For cable with outer diameter OD: 6.0- 9.0mm
- Pair management according to TIA 568B and TIA 568A colour codes
- Strain relief with cable tie and black transparent dust cup and boot
- Color: Transparent black

Value



Order-No. – P.U.

VALUE Field Plug Cat.6A / Cl. EA, UTP

26.99.0372 – 50

VALUE Field Plug Cat.6A / Cl. EA, STP

26.99.0373 – 50

## VALUE Connection Module Cat.6A / Class EA, STP

Tool-free

- The VALUE Junction module is used to repair or extend shielded Cat. 6A cables
- With this module all 4 or 8 wired installation cables with AWG24 and with an outside diameter from 6.2mm can be installed (**only solid wire**)
- Equipped with the modern LSA connection technology, all cables in accordance with EIA/TIA 568A or 568B can be easily installed
- With the use of the STP type junction box, it's safe against electrical and magnetical interferences



Order-No. – P.U.

VALUE Connection Module Cat.6A / Cl. EA, STP

26.99.0380 – 50

## ROLINE Field Plug Cat.6A / Class EA, STP

Tool-free

- Fast and easy tool-free installable unshielded RJ45 connector
- Cat.6A / Class EA performance according to ISO/IEC11801 and IEC60603-7
- Compact cable manager for round Solid cable AWG 23-26(1/0.41-1/0.575mm)
- Plastic housing
- Strain relief with cable tie and black transparent dust cup and boot
- and stranded cable AWG 24-26(7/0.16-7/0.20mm)
- For cable with outer diameter OD: 6.0- 9.0mm
- Pair management according to TIA 568B and TIA 568A colour codes
- Robust zinc die-cast housing
- Strain relief with cable tie and black transparent dust cup and boot
- Color: silver

**roline**  
Designed for Professionals



Order-No. – P.U.

ROLINE Field Plug Cat.6A / Cl. EA, STP

21.17.0323 – 50

## ROLINE Field Plug Cat.6A / Class EA, UTP

Tool-free

- Fast and easy tool-free installable unshielded RJ45 connector
- Cat.6A / Class EA performance according to ISO/IEC11801 and IEC60603-7
- Compact cable manager for round Solid cable AWG 22-24(1/0.41-1/0.575mm)
- For cable with outer diameter OD: 5.0- 7.5mm
- Pair management according to TIA 568B and TIA 568A colour codes
- Plastic housing
- Strain relief with cable tie and black transparent dust cup and boot

**roline**  
Designed for Professionals



Order-No. – P.U.

ROLINE Field Plug Cat.6A (Class EA), UTP, white

21.17.0324 – 10

## ROLINE Field Plug Cat.6A / Class EA, SLIM, STP

Tool-free

- Fast and easy tool-free installable unshielded RJ45 connector
- Cat.6A / Class EA performance according to ISO/IEC11801 and IEC60603-7
- Compact cable manager for round AWG22/1-26/1(1/0.65-1/0.4mm) and stranded cable AWG 22/7-26/7
- For cable with outer diameter OD: 5.0- 8.5mm
- Pair management according to TIA 568B and TIA 568A colour codes
- Robust zinc die-cast housing
- Strain relief with cable tie and black transparent dust cup and boot
- Color: silver

**roline**  
Designed for Professionals



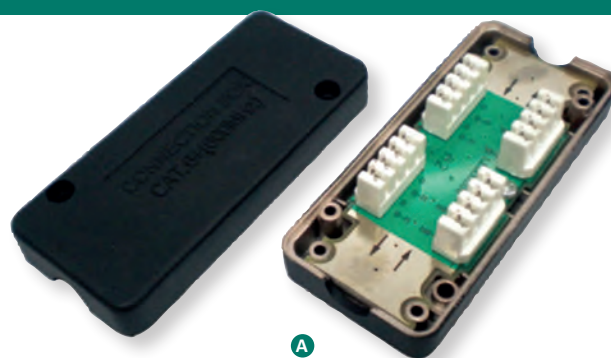
Order-No. – P.U.

ROLINE Field Plug Cat.6A / Class EA, STP, SLIM, silver

21.17.0325 – 10

## VALUE Junction Box Cat.6A / Cl. EA

- The VALUE Junction box is used to repair or extend Cat.6A cables
- With this box all 4 or 8 wired installation cables with AWG24 and with an outside diameter from 4mm can be installed
- Equipped with the modern LSA connection technology, all cables in accordance with EIA/TIA 568A or 568B can be easily installed



Order-No. – P.U.

VALUE Junction Box Cat.6A / Cl. EA, UTP A 21.99.3048 – 25

VALUE Junction Box Cat.6A / Cl. EA, STP 21.99.3049 – 25

## ROLINE Junction Boxes

The ROLINE junction box is used to repair or extend Cat.5e and Cat.6 cables.

- Four different types are available, two UTP types for the unshielded cable and two STP types for the shielded cable
- With this box all 4 or 8 wired installation cables with AWG24 and with a cover from 4 mm (UTP type) up to 6.2 mm (STP type) can be installed
- Equipped with the LSA connection technology, all cables in accordance with EIA/TIA 568 can be easily installed
- With the use of the STP type junction box, it's safe against electrical and magnetic interferences

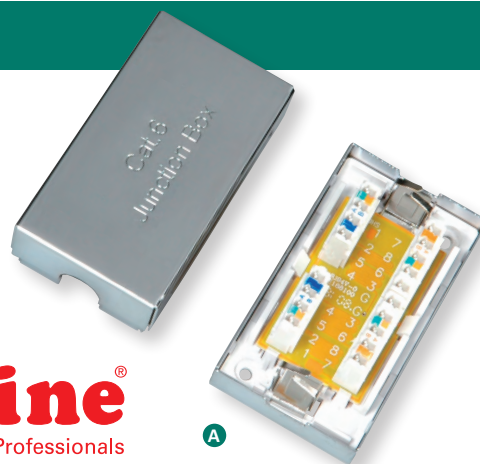
Order-No. – P.U.

ROLINE Junction Box Cat.5e, STP 21.17.3035 – 100

ROLINE Junction Box Cat.5e, UTP 21.17.3036 – 200

ROLINE Junction Box Cat.6 / Cl. E, STP A 21.17.3065 – 20

ROLINE Junction Box Cat.6 / Cl. E, UTP 21.17.3066 – 20



**roline**  
Designed for Professionals

## VALUE RJ-45 Modular Couplers, Cat.6 / Cl. E

- The couplers are available in 2 versions:
  - shielded with metal housing, colour: silver
  - unshielded with plastic housing, colour: black
- The couplers are able to extend Cat.6 cables
- All couplers with eight contacts, 1:1 connected



Order-No. – P.U.

VALUE RJ-45 Modular Coupler, Cat.6 / Cl. E, UTP, black A 21.99.3001 – 20

VALUE RJ-45 Modular Coupler, Cat.6 / Cl. E, STP, silver B 21.99.3002 – 20

## ROLINE Cat.5e / Cl. D Modular Couplers

- The ROLINE couplers are available in two versions:
  - shielded with metal housing to safe the signals against electrical and magnetic interferences, colour: silver
  - unshielded with plastic housing, colour: white resp. black
- The couplers are able to extend Cat.5e resp. Cat.6 cables
- All couplers with eight contacts, 1:1 connected



**roline**  
Designed for Professionals

Order-No. – P.U.

ROLINE Cat.5e / Cl. D Modular Coupler, UTP, white A 21.17.3001 – 20

ROLINE Cat.5e / Cl. D Modular Coupler, STP, silver B 21.17.3002 – 20

ROLINE RJ-45 Modular Coupler, Cat.6, UTP, black C 21.17.3043 – 200

ROLINE RJ-45 Modular Coupler, Cat.6, STP, silver D 21.17.3041 – 200

## ROLINE RJ-45 Modular Coupler, Cat.6A (Class EA), Shielded

NEW

Coupler for the connection or extension of RJ-45 network cables

- Shielded metal housing to safe the signals against electrical and magnetic interferences
- The coupler is able to extend Cat. 6A cables
- 8 contacts, 1:1 connected
- Colour: silver
- **REMARK: Picture shows 2 units**



Order-No. – P.U.

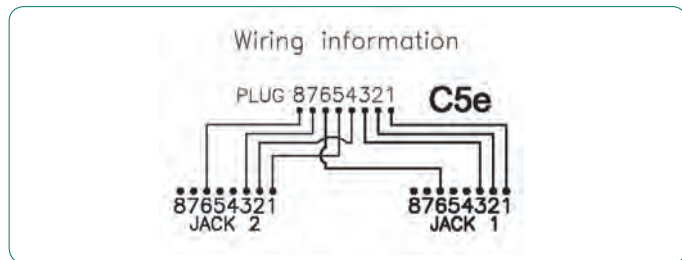
ROLINE RJ-45 Modular Coupler, Cat.6A (Class EA), shielded, silver, metal housing 21.17.3097 – 10

**roline**  
Designed for Professionals



### VALUE T-Adapters Cat.5e

- For the use with two 10/100 LAN connections over one (full wired) 8-wire cable
- Connection cable (17 cm) with RJ-45 plug; adapter with two RJ-45 jacks
- Pin assignment of connectors: pairs 1, 2 and 3, 6
- Wiring scheme on the adapter
- For Cat. 5e installations
- **Note: The adapters can be used only pairwise**



|   | Order-No. – P.U.  |
|---|-------------------|
| VALUE T-Adapter Cat.5e / Cl. D, UTP, white  | A 21.99.3045 – 50 |
| VALUE T-Adapter Cat.5e / Cl. D, STP, silver | B 21.99.3050 – 50 |

### VALUE RJ45 Modular Coupler, Cat.6 / Class E, STP, Outdoor/Industrial

**CAT. 6 coupler for easily connecting or extending patch cables in industrial environments to protect the connection from dust or moisture**

- The coupler is able to extend Cat.6 cables
- Dustproof cable gland for industrial applications
- Offers protection for the connection against moisture and soiling
- Quick and easy installation
- 2x shielded RJ45 ports
- Suitable for cable diameters up to 3- 8 mm
- For waterproofing we recommend patchcords with a 6mm- 8mm O.D.
- Dimensions: length 136 mm
- Diameter: 30mm
- 8 contacts, 1:1 connected



|  | Order-No. – P.U. |
|--|------------------|
| VALUE RJ45 Modular Coupler, Cat.6 / Cl. E, STP, Outdoor/Industrial | 21.99.3000 – 10  |

### VALUE RJ45 Modular Coupler, Cat.6A / Cl. EA, STP, Outdoor/Industrial

**CAT. 6a coupler for easily connecting or extending patch cables in industrial environments to protect the connection from dust or moisture**

- The coupler is able to extend Cat.6a cables
- Dustproof cable gland for industrial applications
- Offers protection for the connection against moisture and soiling
- Quick and easy installation
- 2x shielded RJ45 ports
- Suitable for cable diameters up to 3- 8 mm
- For waterproofing we recommend patchcords with a 6mm- 8mm O.D.
- Dimensions: length 121.5 mm
- Diameter: 28mm
- 8 contacts, 1:1 connected



|   | Order-No. – P.U. |
|---|------------------|
| VALUE RJ45 Modular Coupler, Cat.6A / Cl. EA, STP, Outdoor/Industrial, black | 21.99.3007 – 20  |



VALUE 19"-Fixed Shelf, 1UH / 2UH, Various Depths

DATA CENTER Product

- 19" fixed shelf with maximum load capacity of 10 / 25 kg
- 1,2 mm sheet steel
- 1UH / 2UH version
- Shelf depth: 150, 250, 350 and 400 mm
- Bracket support only for 26.99.0402/0403/0406/0407
- Min/Max. installation depth:

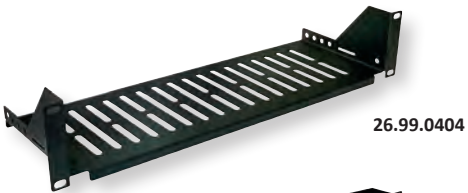
- REMARK: Increased load capacity when using angle brackets (requires rear 19" plane)
- Contents: shelf, mounting material (screw / cage nut / black washer)



26.99.0400



26.99.0401



26.99.0402



26.99.0403

Installation Depth

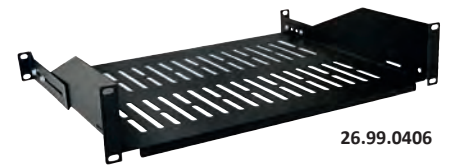
| Item Number | Min.[mm] | Max.[mm] |
|-------------|----------|----------|
| <b>1UH</b>  |          |          |
| 26.99.0400  | 150      | 150      |
| 26.99.0401  | 250      | 250      |
| 26.99.0402  | 360      | 460      |
| 26.99.0403  | 410      | 525      |



26.99.0402



26.99.0403



26.99.0406



26.99.0407

Installation Depth

| Item Number | Min.[mm] | Max.[mm] |
|-------------|----------|----------|
| <b>2UH</b>  |          |          |
| 26.99.0404  | 150      | 150      |
| 26.99.0405  | 250      | 250      |
| 26.99.0406  | 360      | 460      |
| 26.99.0407  | 410      | 525      |

Order-No. – P.U.

|  |                |
|--|----------------|
| VALUE 19"-Fixed Shelf, 485 x 150mm, 1UH, max. 10 kg, black | 26.99.0400 – 5 |
| VALUE 19"-Fixed Shelf, 485 x 250mm, 1UH, max. 10kg, black  | 26.99.0401 – 5 |
| VALUE 19"-Fixed Shelf, 485 x 350mm, 1UH, max. 25kg, black  | 26.99.0402 – 5 |
| VALUE 19"-Fixed Shelf, 485 x 400mm, 1UH, max. 25kg, black  | 26.99.0403 – 5 |
| VALUE 19"-Fixed Shelf, 485 x 150mm, 2UH, max. 10 kg, black | 26.99.0404 – 5 |
| VALUE 19"-Fixed Shelf, 485 x 250mm, 2UH, max. 10kg, black  | 26.99.0405 – 5 |
| VALUE 19"-Fixed Shelf, 485 x 350mm, 2UH, max. 25kg, black  | 26.99.0406 – 5 |
| VALUE 19"-Fixed Shelf, 485 x 400mm, 2UH, max. 25kg, black  | 26.99.0407 – 5 |

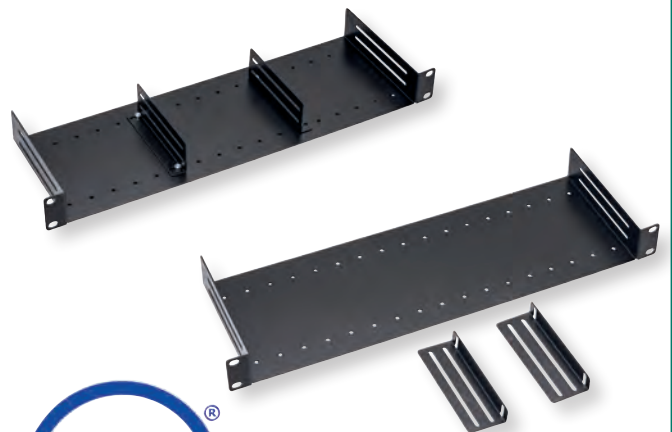
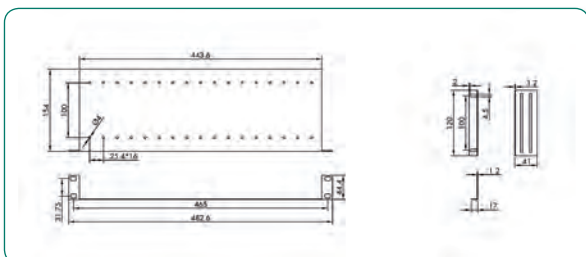


VALUE 19" Shelf Rack, 1U, with 2 adjustable dividers

DATA CENTER Product

19-inch Shelf Rack

- Suitable for Desktop Patch Panels, Switches, etc.
- max. load capacity: 10 kg
- 2 adjustable dividers included



Order-No. – P.U.

|   |                |
|---|----------------|
| VALUE 19" Shelf Rack, 1U, with 2 adjustable dividers, black | 26.99.0341 – 5 |
|---|----------------|



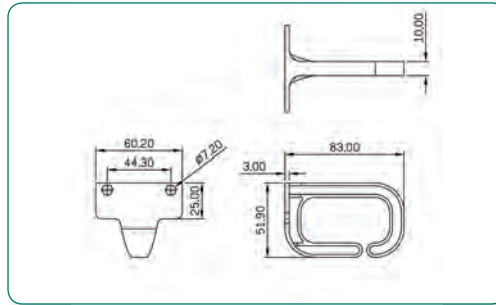
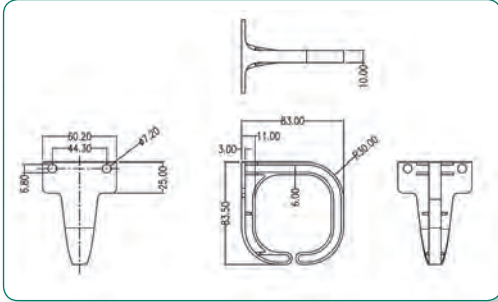


## 19" Cable Manager, 40x80mm / 80x80mm, Plastic

DATA CENTER Product

19" cable manager made of soft plastic for easy and flexible cable routing - the cable manager offers plenty of space for your cable harnesses and ensures tidy network technology in your server cabinet

- For mounting on 19" UHs
- Helps with the clean cabling of your network technology
- Cable routing laterally in front of the 19" bracket
- Plastic cable manager in 40x80, 80x80mm
- Contents: Cable Manager



Order-No. – P.U.

|  |                 |
|--|-----------------|
| 19" cable manager, 80x80mm, plastic, black | 26.99.0318 – 50 |
| 19" cable manager, 40x80mm, plastic, black | 26.99.0323 – 80 |

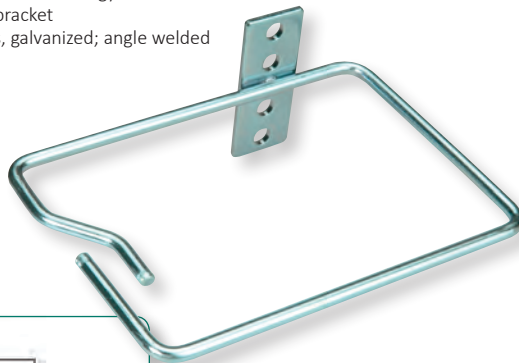
## 19" Cable Manager, 140x100mm, Metal

DATA CENTER Product

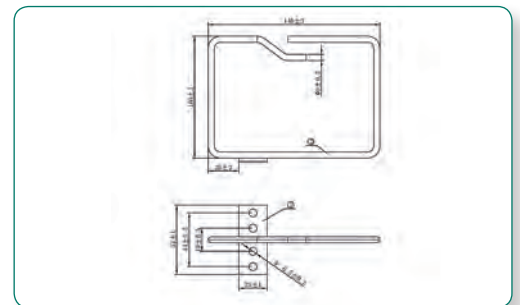
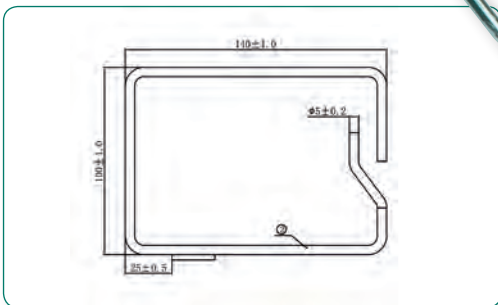
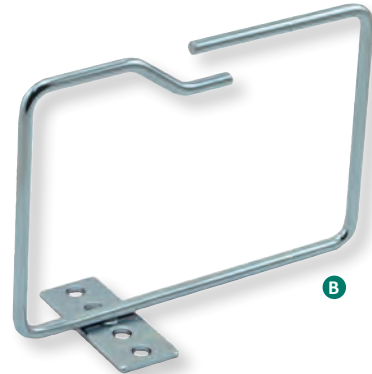
ROLINE 19" cable manager with curved opening for easy cable routing - the 140x100mm cable manager offers plenty of space for your cable harnesses and ensures tidy network technology in your server cabinet

- For mounting on 19" panel/slide mounts
- Helps with the clean cabling of your network technology
- Cable routing laterally in front of the 19" bracket
- Cable manager with 5mm metal thickness, galvanized; angle welded
- Contents: Cable Manager
- Metal

A



B



Order-No. – P.U.

|  |                  |
|--|------------------|
| 19" Cable Manager, 140x100mm, Mounting left, Cable entry right   | A 26.30.0009 – 5 |
| 19" Cable Manager, 140x100mm, Mounting left, Cable entry central | B 26.30.0010 – 5 |



19" Cable Manager, Metal, Mounting central/left, Cable entry central/right

**ROLINE 19" cable manager with curved opening for easy cable routing - the cable manager offers plenty of space for your cable harnesses and ensures tidy network technology in your server cabinet**

- For mounting on 19" panel/slide mounts
- Helps with the clean cabling of your network technology
- Cable routing laterally in front of the 19" bracket
- Cable manager with 5mm metal thickness, galvanized; angle welded
- Contents: Cable Manager



26.30.0016



26.30.0015



26.30.0017



26.30.0013



26.30.0012



26.30.0014

Order-No. – P.U.

|  |                |
|--|----------------|
| 19" Cable Manager, 40x40mm, metal, Mounting central, cable entry central | 26.30.0015 – 5 |
| 19" Cable Manager, 40x80mm, metal, Mounting central, cable entry central | 26.30.0016 – 5 |
| 19" Cable Manager, 80x80mm, metal, Mounting central, cable entry central | 26.30.0017 – 5 |
| 19" Cable Manager, 40x40mm, metal, Mounting left, cable entry right      | 26.30.0012 – 5 |
| 19" Cable Manager, 40x80mm, metal, Mounting left, cable entry right      | 26.30.0013 – 5 |
| 19" Cable Manager, 80x80mm, metal, Mounting left, cable entry right      | 26.30.0014 – 5 |

19" Rack Front Ventilation Panel, 1UH / 2UH, Metal



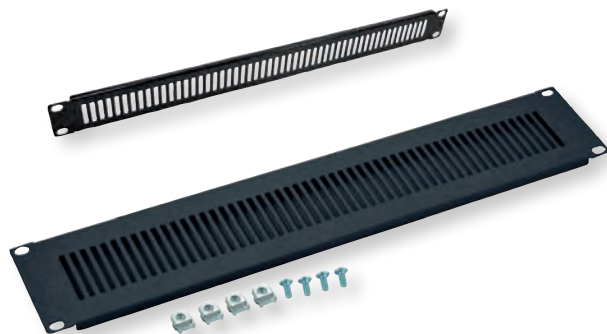
**19" blind plate coated in black to cover not required HU**

- Front ventilation panel designed for use with 19" rack units / cabinets
- The panel provides more efficient ventilation to the entire rack system
- Covers unused rack space with vertical ventilation slots
- Height: 1U / 2U
- Length: 483mm (19")
- Material: Steel
- Color: black
- Contents: Front Ventilation Panel



Order-No. – P.U.

|  |                 |
|--|-----------------|
| 19" Rack Front Ventilation Panel, 1U, Metal, black | 26.99.0319 – 10 |
| 19" Rack Front Ventilation Panel, 2U, Metal, black | 26.99.0320 – 10 |



19" Front Panel 1U with Patch channel 40 x 40 mm / 40 x 60 mm / 40 x 80 mm



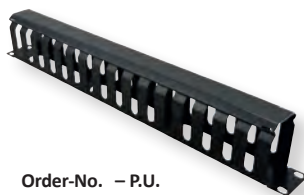
**19" front panel with one Unit Height (UH) and 40x40 / 60 / 80mm cable duct, painted in light grey or black**

- Channel for cable routing of patch cords
- Enables cable routing in the inner cabinet area through oval openings in the cable routing plate
- Color: powder-coated lightgrey / black

Note: For the mounting of the 19" blind plates you need additional mounting material (26.99.0000 - M6x16mm or 26.99.0001 - M5x16mm), please order it separately.



26.99.0305

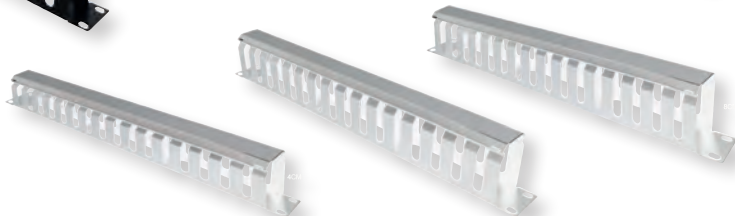


Order-No. – P.U.

|   |                 |
|---|-----------------|
| 19" Front Panel 1U with Patch channel 40 x 40 mm, lightgrey | 26.99.0301 – 20 |
| 19" Front Panel 1U with Patch channel 40 x 60 mm, lightgrey | 26.99.0302 – 20 |
| 19" Front Panel 1U with Patch channel 40 x 80 mm, lightgrey | 26.99.0303 – 20 |
| 19" Front Panel 1U with Patch channel 40 x 40 mm, black     | 26.99.0304 – 20 |
| 19" Front Panel 1U with Patch channel 40 x 60 mm, black     | 26.99.0305 – 20 |
| 19" Front Panel 1U with Patch channel 40 x 80 mm, black     | 26.99.0306 – 20 |

26.99.0304

26.99.0306



## VALUE 19" Front Panel 1U with Double-Sided Patch channel

- Creates an organized horizontal pathway for using coax, copper and fiber optic cables
- Mounts easily onto any distribution rack
- Eliminate cable clutter with this versatile cable-management system
- For quick and easy adds and changes in your 19" cabinet
- Cable guide ensures proper bending radii of patch cables
- After routing the cables or cords, simply snap-on the cover for a clean, professional appearance
- Snap-on covers on both sides- are easy to use and open 180° up or down with adjacent installation
- Material: metal and plastic



Order-No. – P.U.

VALUE 19" Front Panel 1U with Double-Sided Patch channel, black 26.99.0321 – 5



## 19" 1U Cable Management Plate, C-Type, 5 Hooks

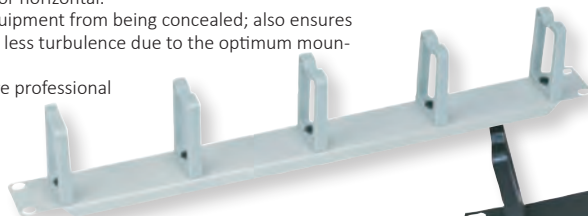
DATA CENTER capable

### 19" cable guide 1U, 5 loops, for horizontal or vertical cable routing

- Cable routing for server or data cabinet environments
- Suitable for mounting on all 19" data racks and server racks so cables can be neatly laid- important for greater reliability of connections throughout the cabinet
- The cable eyelets provide an ideal bending radius for the network cables and help ensure a neat 19-inch cabinet, vertical or horizontal.
- Prevents cable stretching and other equipment from being concealed; also ensures optimum airflow as the cables produce less turbulence due to the optimum mounting
- Makes the installation cleaner and more professional
- 1U quality metal plate

- 5 large „C-type“ cable rings for cable routing
- Contents: 19"-Panel Plate

**Note: For the mounting of the 19" blind plates you need additional mounting material (26.99.0000 - M6x16mm or 26.99.0001 - M5x16mm), please order it separately.**



26.99.0311



26.99.0312

Order-No. – P.U.

19" 1U Cable Management Plate, C-Type, 5 Hooks, lightgrey 26.99.0311 – 20

19" 1U Cable Management Plate, C-Type, 5 Hooks, black 26.99.0312 – 20

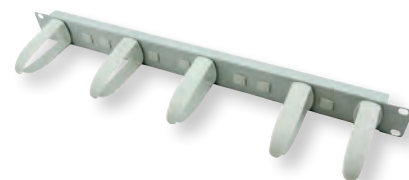


## 19" Cable Management plate with Horizontal/Vertical Cable Rings for Cabinets

DATA CENTER capable

- Essential piece of equipment for server or data cabinets environments
- Suitable for mounting on all 19" data cabinets and server racks, allowing cables to be neatly routed for a higher reliability of connections throughout the cabinet or rack
- The cable rings create an ideal bend radius for the networking cables and greatly assists keeping the rack neat, they can be used vertically or horizontally
- Designed to give extra support for patch leads and prevents obscuring other equipment and to prevent cable strain

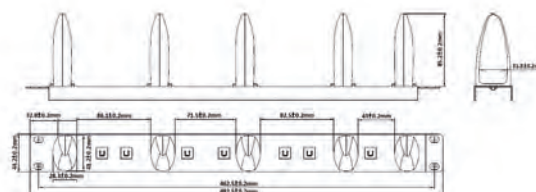
- Makes installation neater and more professional
- Cables slide in and out comfortable with out falling out by themselves
- 1UH quality metal bar
- 5 cable rings (hooks) for great cable management
- Contents: 19"-Panel, 5 cable rings (hooks)



Order-No. – P.U.

19" Cable Management plate with Horizontal/Vertical cable rings for Cabinets, grey 26.99.0345 – 20

19" Cable Management plate with Horizontal/Vertical Cable Rings for Cabinets, black 26.99.0346 – 20





**VALUE 19" 1U Cable Management Plate, G-Type, 5 Hooks**

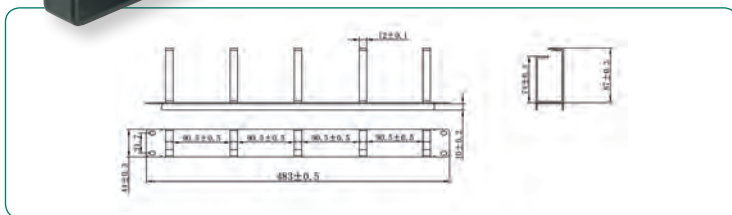
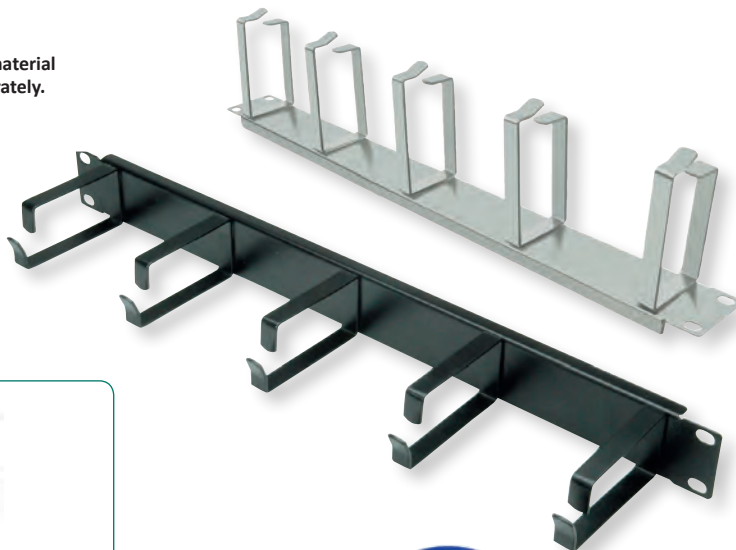
DATA CENTER Product

**19" cable guide 1U, 5 loops, grey, for horizontal or vertical cable routing**

- Cable routing for server or data cabinet environments
- Suitable for mounting on all 19" data racks and server racks so cables can be neatly laid- important for greater reliability of connections throughout the cabinet
- The cable eyelets provide an ideal bending radius for the network cables and help ensure a neat 19-inch cabinet, vertical or horizontal.

- Prevents cable stretching and other equipment from being concealed; also ensures optimum airflow as the cables produce less turbulence due to the optimum mounting
- Makes the installation cleaner and more professional
- 1U quality metal plate
- 5 large „G-type“ cable rings for cable routing
- Contents: 19"-Panel

**Note:**  
For the mounting of the 19" blind plates you need additional mounting material 26.99.0000 - M6x16mm or 26.99.0001 - M5x16mm), please order it separately.



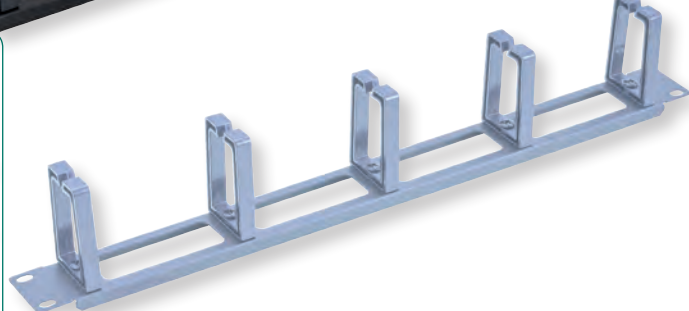
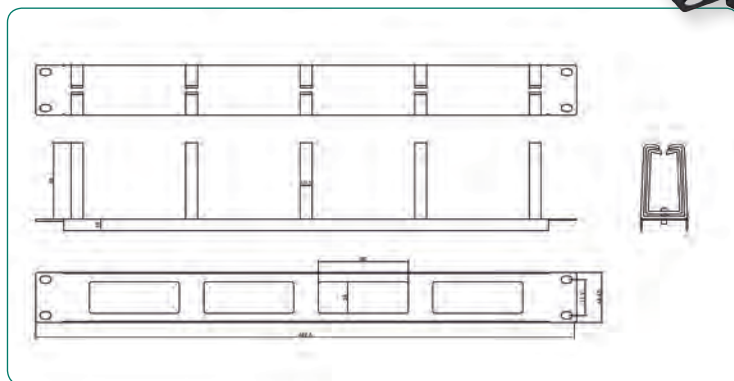
|   | Order-No. – P.U. |
|---|------------------|
| VALUE 19" 1U Cable Management Plate, G-Type, 5 Hooks, lightgrey | 26.99.0308 – 20  |
| VALUE 19" 1U Cable Management Plate, G-Type, 5 Hooks, black     | 26.99.0310 – 20  |

**VALUE 19" 1U Cable Management Plate, C-Type, 5 Hooks, Cut-out front panel / Cable feed-through**

DATA CENTER Product

**19" cable guide 1UH, 5 loops, black, for horizontal or vertical cable routing**

- Cable routing for server or data cabinet environments
- Suitable for mounting on all 19" data racks and server racks so cables can be neatly laid- important for greater reliability of connections throughout the cabinet
- The cable eyelets provide an ideal bending radius for the network cables and help ensure a neat 19-inch cabinet, vertical or horizontal.
- Prevents cable stretching and other equipment from being concealed; also ensures optimum airflow as the cables produce less turbulence due to the optimum mounting
- Makes the installation cleaner and more professional
- 1U quality metal plate
- 5 large „C-type“ cable rings for cable routing
- Contents: 19"-Panel Plate

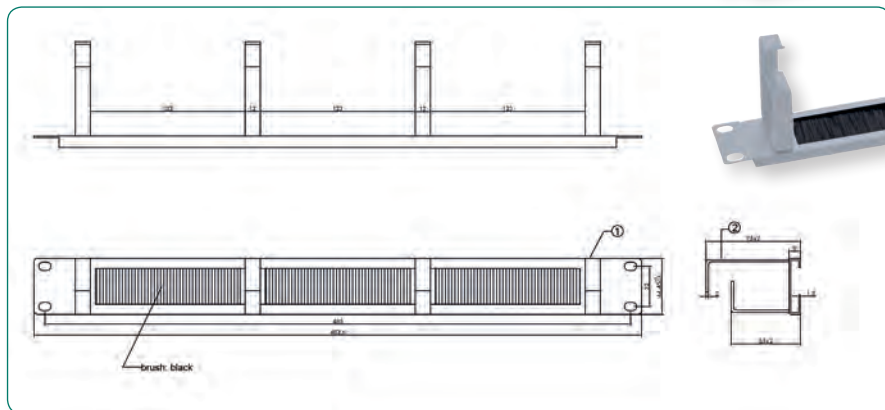
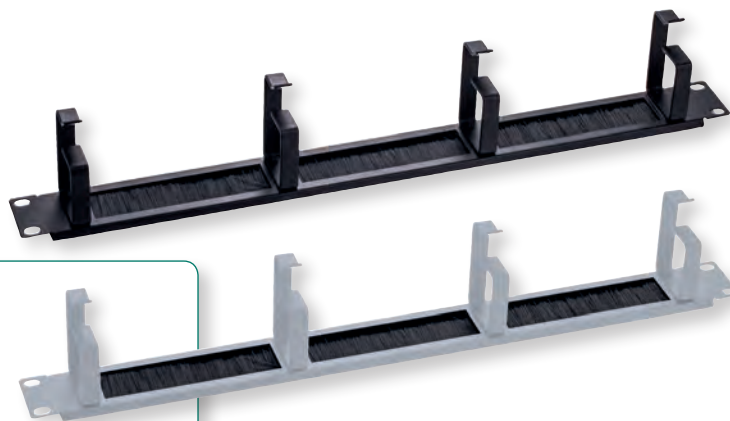


|  | Order-No. – P.U. |
|--|------------------|
| VALUE 19" 1U Cable Management Plate, C-Type, 5 Hooks, Cut-out front panel / cable feed-through, RAL 9005 black     | 26.99.0324 – 10  |
| VALUE 19" 1U Cable Management Plate, C-Type, 5 Hooks, Cut-out front panel / cable feed-through, RAL 7035 lightgrey | 26.99.0325 – 10  |

19" Cable Management 1 UH with Brush Seal, 4 Metal Rings (G-Type)

DATA CENTER Product

- 19" cable bushing with brush
- 4 cable rings (G-type)
- Material: sheet steel/plastic
- Dimensions: (H x W x D) 44 x 483 x 72 mm



Order-No. – P.U.

|  |                 |
|--|-----------------|
| 19" Cable Management 1 UH with Brush Seal, 4 Metal rings (G-Type), black | 26.30.0018 – 10 |
| 19" Cable Management 1 UH with Brush Seal, 4 Metal rings (G-Type), grey  | 26.30.0019 – 10 |

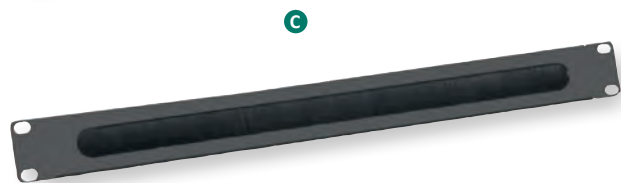
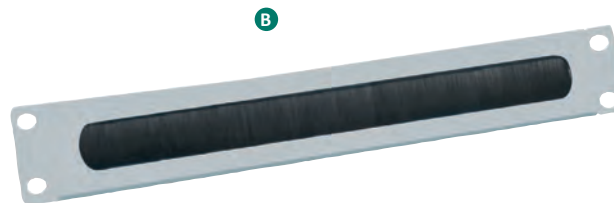
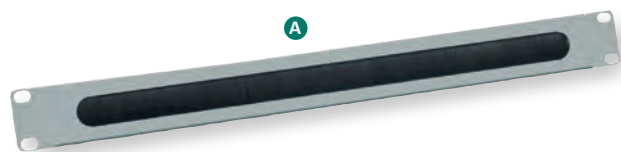
**roline**<sup>®</sup>  
Designed for Professionals

19" Cable Entry 1U with Brush Seal

DATA CENTER Product

19" cable guide with bristles, grey metal, for horizontal or vertical cable routing

- Cable routing for server or data cabinet environments
- Suitable for mounting on all 19" data racks and server racks so cables can be neatly laid- important for greater reliability of connections throughout the cabinet
- Bristled cable routing provides perfect storage for your network cables and helps ensure a neat 19-inch cabinet, vertically or horizontally
- Makes the installation cleaner and more professional
- Quality metal plate
- 19" cable entry with brush
- Material: steel/plastic
- Dimensions (H x W x D): 44 x 483 x 27 mm / 88 x 483 x 27 mm



**Note:**  
For the mounting of the 19" blind plates you need additional mounting material 26.99.0000 - M6x16mm or 26.99.0001 - M5x16mm, please order it separately.

Order-No. – P.U.

|   |                   |
|---|-------------------|
| 19" Cable Entry 1U with Brush Seal, lightgrey | A 26.99.0313 – 20 |
| 19" Cable Entry 2U with Brush Seal, lightgrey | B 26.99.0314 – 20 |
| 19" Cable Entry 1U with Brush Seal, black     | C 26.99.0315 – 20 |
| 19" Cable Entry 2U with Brush Seal, black     | D 26.99.0316 – 20 |

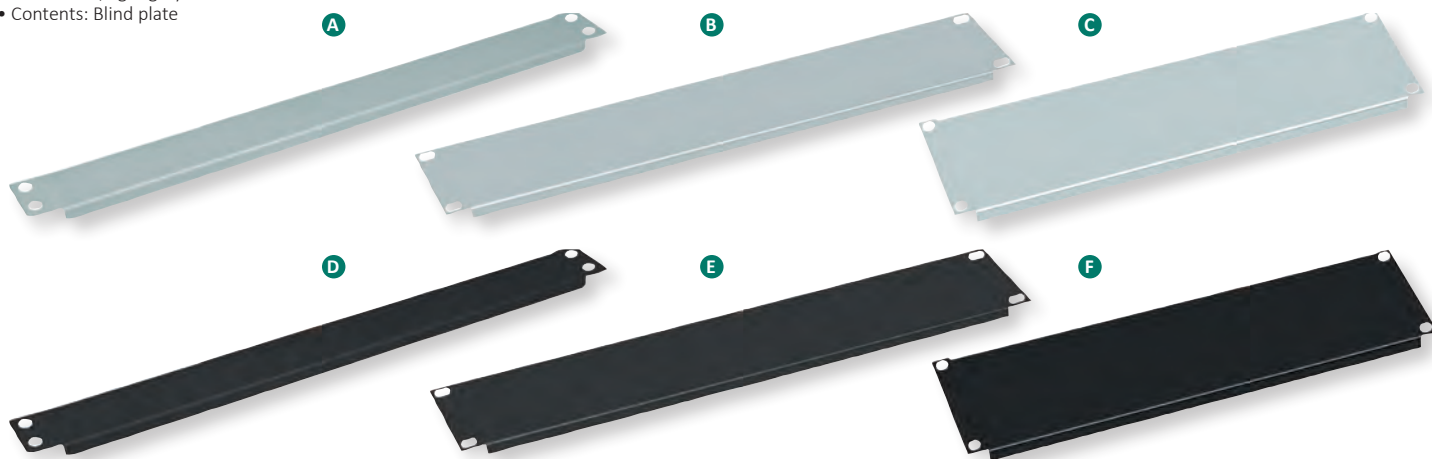
**Value**<sup>®</sup>

19" Blank Panel, 1U / 2U / 3U, Metal

DATA CENTER Product

19" blind plate coated in (light grey) / (black) to cover not required HU

- For use in 19" server cabinets to conceal unneeded installation spaces
- 19" blind with one / two / three height unit (1 / 2 / 3 UH)
- Paint finish, light grey or black
- Contents: Blind plate



Note:  
For the mounting of the 19" blind plates you need additional mounting material 26.99.0000 - M6x16mm or 26.99.0001 - M5x16mm), please order it separately.

|                                       | Order-No. - P.U.  |
|---------------------------------------|-------------------|
| 19" Blank Panel, 1U, Metal, lightgrey | A 26.99.0295 - 10 |
| 19" Blank Panel, 2U, Metal, lightgrey | B 26.99.0296 - 10 |
| 19" Blank Panel, 3U, Metal, lightgrey | C 26.99.0297 - 10 |
| 19" Blank Panel, 1U, Metal, black     | D 26.99.0298 - 10 |
| 19" Blank Panel, 2U, Metal, black     | E 26.99.0299 - 10 |
| 19" Blank Panel, 3U, Metal, black     | F 26.99.0300 - 10 |

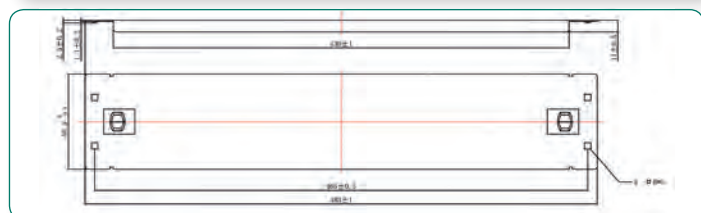


ROLINE 19" Blank Panel, Snap-in, 1U/2U, Metal

DATA CENTER Product

ROLINE 19" blind panel painted in light grey to cover unneeded UH - with snap-in mechanism for quick and easy mounting without cage nuts or other accessories.

- Suitable for all 19" network or server cabinets
- For use in 19" server cabinets to conceal unneeded installation spaces
- Easy to mount or dismount via snap-in mechanism
- Does not require any tools or cage nut mounting screws
- Snap-in functionality
- Material: Steel
- 19" blind with one/two height unit (1 or 2UH)
- Paint finish, noir
- Contents: Blind plate



|   | Order-No. - P.U. |
|---|------------------|
| ROLINE 19" Blank Panel, Snap-in, 1U, Metal, black | 26.30.0000 - 10  |
| ROLINE 19" Blank Panel, Snap-in, 2U, Metal, black | 26.30.0001 - 10  |

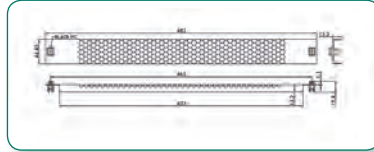




**VALUE 19" Perforated Ventilation Mesh / Blank Panel, Snap-in, 1U, Metal**

- Suitable for all 19" network or server cabinets
- For use in 19" server cabinets to conceal unneeded installation spaces
- Easy to mount or dismount via snap-in mechanism
- Does not require any tools or cage nut mounting screws
- Snap-in functionality
- Material: Steel
- 19" blind with one height unit (1UH)
- Contents: Blind plate

- 26.99.0002**
- Perforated blanking plate in main area, to allow extra ventilation in the cabinet.
  - Front face is perforated to achieve a maximum air ventilation
  - Top and bottom bends for an increased rigidity



Order-No. – P.U.

VALUE 19" Perforated Ventilation Mesh Panel, Snap-in, 1U, black 26.99.0002 – 20

VALUE 19" Blank Panel, Snap-in, 1U, Metal, black 26.99.0003 – 20



**VALUE Mounting Material for 19" Components, M6/M5, 100 pieces / Bag**

DATA CENTER Product

**19" mounting material, 100 pieces per set (screw, washer, nut)**

- Use a grounding cage nut and a nomel washer at at least one fixing point for standard-compliant grounding
- For attaching front panels, distribution panels or other built-in components to frames, angle profiles or depth struts with rectangular perforations

- Contents:
- 100x pan-head screw, M6 x 16, galvanized
  - 100x plastic disc, black
  - 100x cage nut M6, galvanized



Order-No. – P.U.

Mounting Material for 19" Components, M6x16mm, 100 pieces 26.99.0000 – 24

Mounting Material for 19" Components, M5x16mm, 100 pieces 26.99.0001 – 24



**ROLINE Mounting Material for 19" Components, M6 / M5, 100 pieces, Black**

DATA CENTER Product

**19" mounting material, 100 pieces per set (screw, washer, nut)**

- Use a grounding cage nut and a nomel washer at at least one fixing point for standard-compliant grounding
- For attaching front panels, distribution panels or other built-in components to frames, angle profiles or depth struts with rectangular perforations

- Contents:
- 100x pan-head screw, M6 / M5 x 16, galvanized, black
  - 100x plastic disc, black
  - 100x cage nut M6 / M5, galvanized, black



Order-No. – P.U.

ROLINE Mounting Material for 19" Components, M6, 100 pieces 26.50.5005 – 24

ROLINE Mounting material for 19" components, M5, 100 pieces 26.50.5006 – 24



**Cage Nut Insertion Tool, M5 / M6**

- Indispensable tool for technicians/engineers wanting to insert or extract cage nuts
- Avoids cut fingers with sharp tools and screwdrivers
- Suitable for hole variants of the M5 /M6 cage nuts
- Easy insertion of the cage nut by placing it into the jaws of the tool, which then squeezes the sides of the cage nut to allow the legs to be easily inserted into the hole
- Easy and reliable assembly
- Reduces a possible damage to panel
- Reduces risk of injury



Order-No. – P.U.

Cage Nut Insertion Tool, M5 / M6 26.99.0317 – 50



VALUE 19" Vertical Wall Mount Bracket/Under Desk Mount, 1/2/3/4UH, max. 10kg



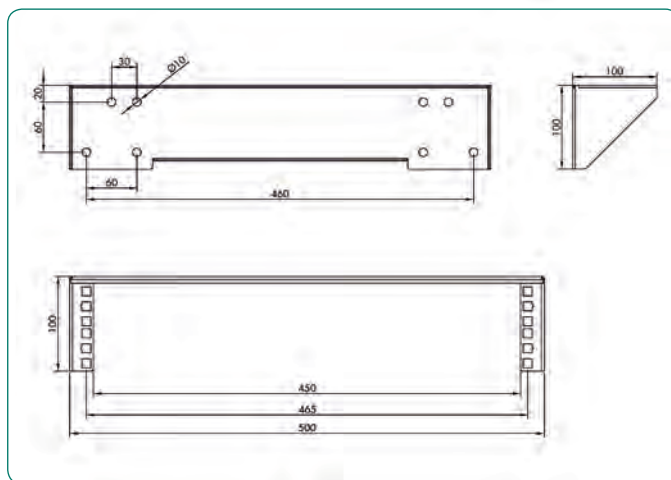
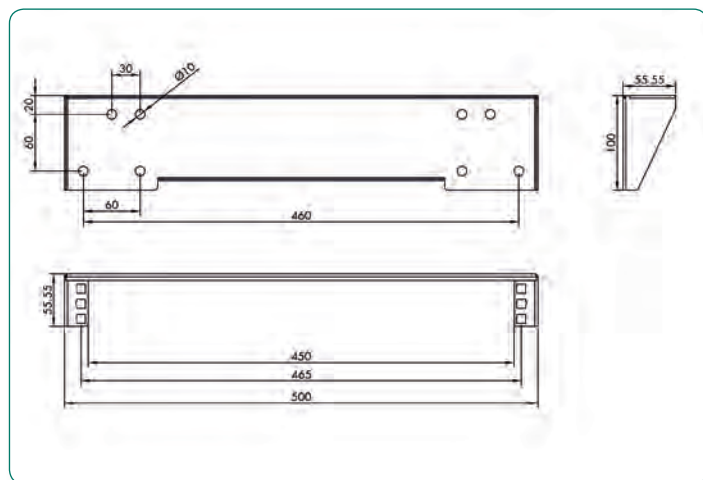
- 19" device carrier with max. load capacity: up to 10kg
- Suitable for wall mount / under desk mount
- 4 Versions available: 1 / 2 / 3 / 4UH
- Material: 1.5 mm sheet steel
- Contents: bracket, mounting material



26.99.0410



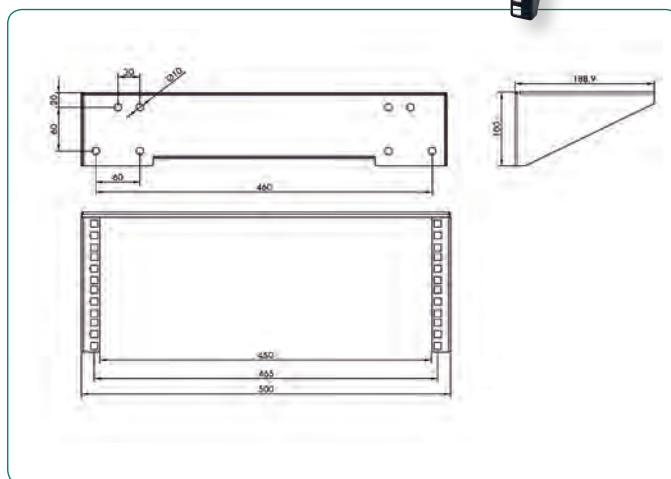
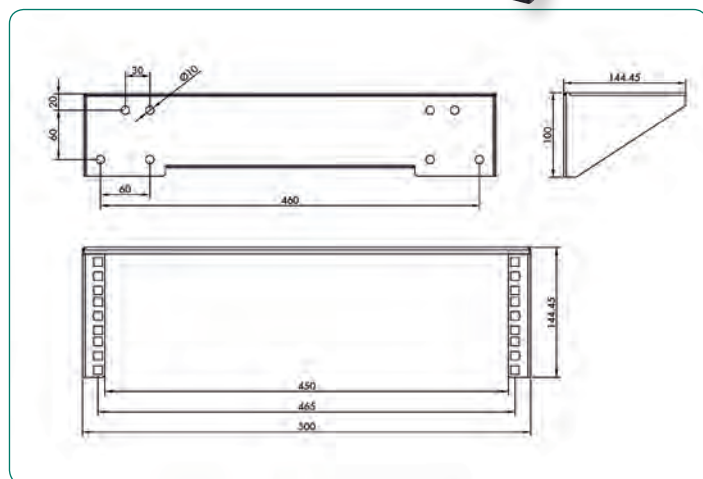
26.99.0411



26.99.0412



26.99.0413



Order-No. – P.U.

|   |                |
|---|----------------|
| VALUE 19" Vertical Wall Mount Bracket/Under Desk Mount max. 10kg, 1UH | 26.99.0410 – 5 |
| VALUE 19" Vertical Wall Mount Bracket/Under Desk Mount max. 10kg, 2UH | 26.99.0411 – 5 |
| VALUE 19" Vertical Wall Mount Bracket/Under Desk Mount max. 10kg, 3UH | 26.99.0412 – 4 |
| VALUE 19" Vertical Wall Mount Bracket/Under Desk Mount max. 10kg, 4UH | 26.99.0413 – 2 |



## VALUE Fibre Optic Jumper Cables, 50/125µm, OM3

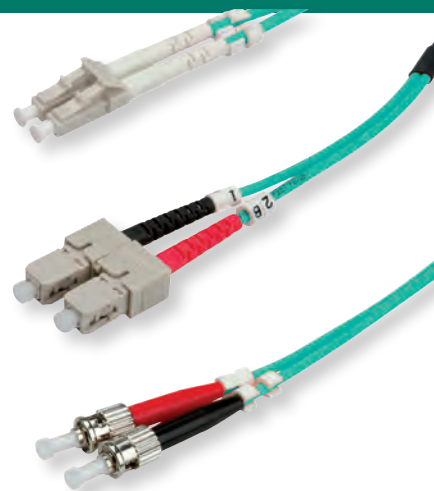
- VALUE Fibre Optic Jumper Cables with OM3 quality for high performance wiring
- Duplex Cable with fibre type Multi-mode 50/125µm, OM3
- Available length: 0,5m, 1m, 2m, 3m, 5m, 10m, 15m and 20m
- Color: turquoise



LC

SC

ST



| Length | Type LC/LC – P.U. | Type LC/ST – P.U. | Type LC/SC – P.U. |
|--------|-------------------|-------------------|-------------------|
| 0.5 m  | 21.99.8700 – 10   | 21.99.8720 – 10   | 21.99.8710 – 10   |
| 1 m    | 21.99.8701 – 10   | 21.99.8721 – 10   | 21.99.8711 – 10   |
| 2 m    | 21.99.8702 – 10   | 21.99.8722 – 10   | 21.99.8712 – 10   |
| 3 m    | 21.99.8703 – 5    | 21.99.8723 – 5    | 21.99.8713 – 5    |
| 5 m    | 21.99.8705 – 5    | 21.99.8725 – 5    | 21.99.8715 – 5    |
| 10 m   | 21.99.8708 – 10   | 21.99.8728 – 10   | 21.99.8718 – 10   |
| 15 m   | 21.99.8706 – 5    |                   |                   |
| 20 m   | 21.99.8707 – 5    |                   |                   |

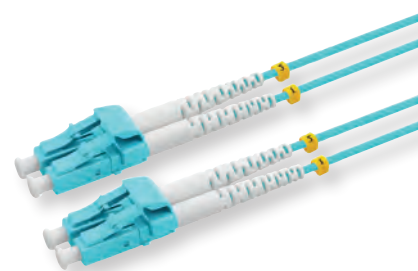
## VALUE Fibre Optic Jumper Cable 50/125µm OM3, LC/LC, Low-Loss-Connector

### VALUE Fiber-Patchcable in OM3 quality for a high performance fiber optical cabling

- Security for the future! The OM3 fiber and connector quality with very low insertion loss ensure an excellent quality at very high bandwidths.
- The cable assembled with „low-loss“ connectors achieve very good values for insertion loss and reflection. In comparison:
  - Typical attenuation of a standard LC connector: 0.5 dB
  - Typical attenuation of a low-loss LC connector: 0.15 dB
- Duplex cables with fiber type Multi-mode 50/125µm, OM3
- Color: turquoise

Order-No. – P.U.

| Order-No.   | P.U.           |
|---|----------------|
| VALUE FO Jumper Cable 50/125µm OM3, LC/LC, Low-Loss-Connector, turquoise, 0.5 m | 21.99.8820 – 5 |
| VALUE FO Jumper Cable 50/125µm OM3, LC/LC, Low-Loss-Connector, turquoise, 1 m   | 21.99.8821 – 5 |
| VALUE FO Jumper Cable 50/125µm OM3, LC/LC, Low-Loss-Connector, turquoise, 2 m   | 21.99.8822 – 5 |
| VALUE FO Jumper Cable 50/125µm OM3, LC/LC, Low-Loss-Connector, turquoise, 3 m   | 21.99.8823 – 5 |
| VALUE FO Jumper Cable 50/125µm OM3, LC/LC, Low-Loss-Connector, turquoise, 5 m   | 21.99.8824 – 5 |
| VALUE FO Jumper Cable 50/125µm OM3, LC/LC, Low-Loss-Connector, turquoise, 10 m  | 21.99.8825 – 5 |
| VALUE FO Jumper Cable 50/125µm OM3, LC/LC, Low-Loss-Connector, turquoise, 15 m  | 21.99.8826 – 5 |
| VALUE FO Jumper Cable 50/125µm OM3, LC/LC, Low-Loss-Connector, turquoise, 20 m  | 21.99.8827 – 5 |




## ROLINE Fibre Optic Jumper Cables, 50/125µm, OM3

- ROLINE Fibre Optic Jumper Cables with OM3 quality for high performance wiring
- The quality of the connectors and fibres and an optimal assembly procedure lead to extremely good characteristics in respect of insertion loss and reflection
- Compact conductor (fibre movable in secondary coating)
- Duplex Cable with fibre type Multi-mode 50/125µm, OM3
- Cable construction: Kevlar tension reduction, PVC outer coating, Ø 2.8 x 6 mm
- Color: turquoise



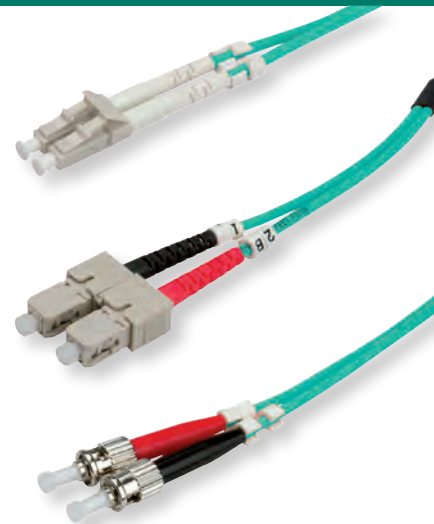
Designed for Professionals

| Length | Type LC/LC – P.U. | Type LC/ST – P.U. | Type LC/SC – P.U. |
|--------|-------------------|-------------------|-------------------|
| 0.5 m  | 21.15.8700 – 10   | 21.15.8720 – 10   | 21.15.8710 – 10   |
| 1 m    | 21.15.8701 – 10   | 21.15.8721 – 10   | 21.15.8711 – 10   |
| 2 m    | 21.15.8702 – 10   | 21.15.8722 – 10   | 21.15.8712 – 10   |
| 3 m    | 21.15.8703 – 5    | 21.15.8723 – 5    | 21.15.8713 – 5    |
| 5 m    | 21.15.8705 – 5    | 21.15.8725 – 5    | 21.15.8715 – 5    |
| 10 m   | 21.15.8708 – 10   | 21.15.8728 – 10   | 21.15.8718 – 10   |
| 15 m   | 21.15.8706 – 5    |                   |                   |
| 20 m   | 21.15.8707 – 5    |                   |                   |

LC

SC

ST

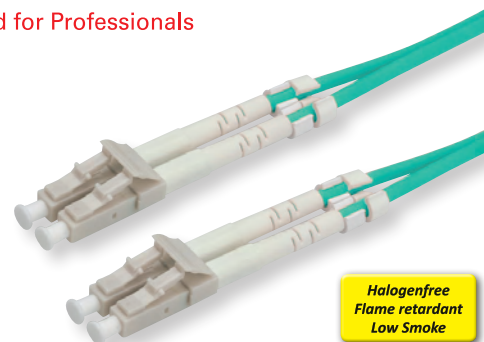




**ROLINE Fibre Optic Jumper Cables, 50/125µm, OM3, LC/LC, Low-Loss-Connector**

- Security for the future! The OM3 fiber and connector quality with very low insertion loss ensure an excellent quality at very high bandwidths.
- Material and assembly in ROLINE quality
- The cable assembled with „low-loss“ connectors achieve very good values for insertion loss and reflection. In comparison:
  - Typical attenuation of a standard LC connector: 0.5 dB
  - Typical attenuation of a low-loss LC connector: 0.15 dB
- Duplex cables with fiber type Multi-mode 50/125µm, OM3
- Color: turquoise

**roline**<sup>®</sup>  
Designed for Professionals



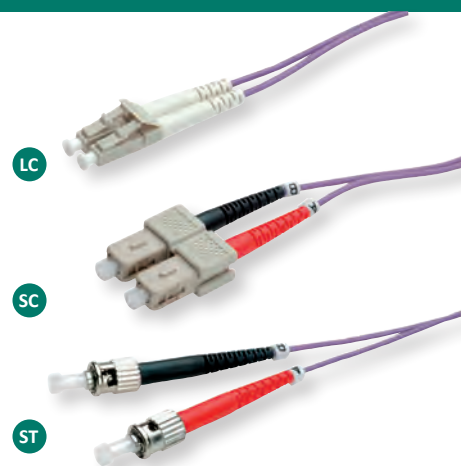
|  | Order-No.  | – P.U. |
|--|------------|--------|
| ROLINE FO Jumper Cable 50/125µm OM3, LC/LC, Low-Loss-Connector, turquoise, 0.5 m | 21.15.8820 | – 5    |
| ROLINE FO Jumper Cable 50/125µm OM3, LC/LC, Low-Loss-Connector, turquoise, 1.0 m | 21.15.8821 | – 5    |
| ROLINE FO Jumper Cable 50/125µm OM3, LC/LC, Low-Loss-Connector, turquoise, 2.0 m | 21.15.8822 | – 5    |
| ROLINE FO Jumper Cable 50/125µm OM3, LC/LC, Low-Loss-Connector, turquoise, 3.0 m | 21.15.8823 | – 5    |
| ROLINE FO Jumper Cable 50/125µm OM3, LC/LC, Low-Loss-Connector, turquoise, 5.0 m | 21.15.8825 | – 5    |
| ROLINE FO Jumper Cable 50/125µm OM3, LC/LC, Low-Loss-Connector, turquoise, 10 m  | 21.15.8828 | – 5    |
| ROLINE FO Jumper Cable 50/125µm OM3, LC/LC, Low-Loss-Connector, turquoise, 15 m  | 21.15.8829 | – 5    |
| ROLINE FO Jumper Cable 50/125µm OM3, LC/LC, Low-Loss-Connector, turquoise, 20 m  | 21.15.8830 | – 5    |

**VALUE Fibre Optic Jumper Cables, 50/125 µm, OM4**

OM4 fiber for existing 1 and 10 Gbit/s applications as well as future 40 and 100 Gbit/s systems. Allows extended reach upwards of 550 meters at 10 Gbit/s for ultra long building backbones and medium length campus backbones. With an laser bandwidth of 4700 MHz– km (more than double the IEEE requirement for 10 Gbit/s 300 meter support), the OM4 fiber is also especially well suited for shorter distances in data centers and high performance computing applications.

- VALUE OM4 Fibre Optic Jumper cable with fiber type 50/125 µm
- Color: purple

| Length | Type LC/LC – P.U. | Type LC/ST – P.U. | Type LC/SC – P.U. |
|--------|-------------------|-------------------|-------------------|
| 0.5 m  | 21.99.8750 – 10   | 21.99.8770 – 10   | 21.99.8760 – 10   |
| 1 m    | 21.99.8751 – 10   | 21.99.8771 – 10   | 21.99.8761 – 10   |
| 2 m    | 21.99.8752 – 10   | 21.99.8772 – 10   | 21.99.8762 – 10   |
| 3 m    | 21.99.8753 – 5    | 21.99.8773 – 5    | 21.99.8763 – 5    |
| 5 m    | 21.99.8755 – 5    | 21.99.8775 – 5    | 21.99.8765 – 5    |
| 7 m    | 21.99.8754 – 3    |                   |                   |
| 10 m   | 21.99.8758 – 5    | 21.99.8778 – 5    | 21.99.8768 – 5    |
| 15 m   | 21.99.8756 – 5    |                   |                   |
| 20 m   | 21.99.8757 – 5    |                   |                   |



**VALUE Fibre Optic Jumper Cables, 50/125µm, OM4, LC/LC, Low-Loss-Connector**

**VALUE F.O. Patchcable in OM4-Quality for a high performance connection.**

- Security for the future! The OM4 fiber and connector quality with very low insertion loss ensure an excellent quality at very high bandwidths.
- It supports 10 Gb/s Ethernet, Fibre Channel, and OIF applications to 550 meters, extends the system cost benefits to ultra long building backbones and medium length campus backbones.
- The cable assembled with „low-loss“ connectors achieve very good values for insertion loss and reflection. In comparison:
  - Typical attenuation of a standard LC connector: 0.5 dB
  - Typical attenuation of a low-loss LC connector: 0.15 dB
- Modal Bandwidth: 4700 MHz-km (this bandwidth is based on application-specific implementation of the EMBC requirements)

- Duplex cables with fiber type Multi-mode 50/125µm, OM4

|  | Order-No.  | – P.U. |
|--|------------|--------|
| VALUE FO Jumper Cable 50/125µm OM4, LC/LC, Low-Loss-Connector, violet, 0.5 m | 21.99.8830 | – 5    |
| VALUE FO Jumper Cable 50/125µm OM4, LC/LC, Low-Loss-Connector, violet, 1 m   | 21.99.8831 | – 5    |
| VALUE FO Jumper Cable 50/125µm OM4, LC/LC, Low-Loss-Connector, violet, 2 m   | 21.99.8832 | – 5    |
| VALUE FO Jumper Cable 50/125µm OM4, LC/LC, Low-Loss-Connector, violet, 3 m   | 21.99.8833 | – 5    |
| VALUE FO Jumper Cable 50/125µm OM4, LC/LC, Low-Loss-Connector, violet, 5 m   | 21.99.8834 | – 5    |
| VALUE FO Jumper Cable 50/125µm OM4, LC/LC, Low-Loss-Connector, violet, 7 m   | 21.99.8838 | – 5    |
| VALUE FO Jumper Cable 50/125µm OM4, LC/LC, Low-Loss-Connector, violet, 10 m  | 21.99.8835 | – 5    |
| VALUE FO Jumper Cable 50/125µm OM4, LC/LC, Low-Loss-Connector, violet, 15 m  | 21.99.8836 | – 5    |
| VALUE FO Jumper Cable 50/125µm OM4, LC/LC, Low-Loss-Connector, violet, 20 m  | 21.99.8837 | – 5    |

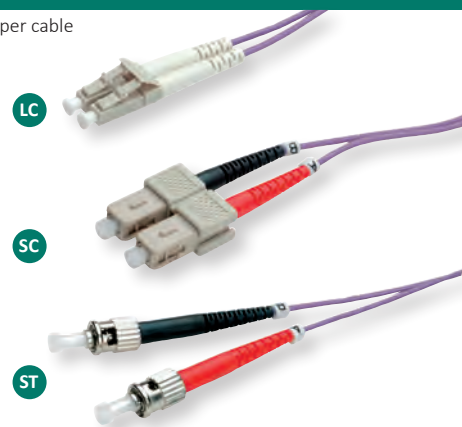


**ROLINE Fibre Optic Jumper Cables, 50/125 µm, OM4**

OM4 fiber for existing 1 and 10 Gbit/s applications as well as future 40 and 100 Gbit/s systems. Allows extended reach upwards of 550 meters at 10 Gbit/s for ultra long building backbones and medium length campus backbones. With an

laser bandwidth of 4700 MHz– km (more than double the IEEE requirement for 10 Gbit/s 300 meter support), the OM4 fiber is also especially well suited for shorter distances in data centers and high performance computing applications.

- ROLINE OM4 Fibre Optic Jumper cable with fiber type 50/125 µm
- Color: purple



**roline**<sup>®</sup>  
Designed for Professionals

| Length | Type LC/LC – P.U. | Type LC/ST – P.U. | Type LC/SC – P.U. |
|--------|-------------------|-------------------|-------------------|
| 0.5 m  | 21.15.8750 – 10   | 21.15.8770 – 10   | 21.15.8760 – 10   |
| 1 m    | 21.15.8751 – 10   | 21.15.8771 – 10   | 21.15.8761 – 10   |
| 2 m    | 21.15.8752 – 10   | 21.15.8772 – 10   | 21.15.8762 – 10   |
| 3 m    | 21.15.8753 – 5    | 21.15.8773 – 5    | 21.15.8763 – 5    |
| 5 m    | 21.15.8755 – 5    | 21.15.8775 – 5    | 21.15.8765 – 5    |
| 7 m    | 21.15.8754 – 5    |                   |                   |
| 10 m   | 21.15.8758 – 5    | 21.15.8778 – 5    | 21.15.8768 – 5    |
| 15 m   | 21.15.8756 – 5    |                   |                   |
| 20 m   | 21.15.8757 – 5    |                   |                   |

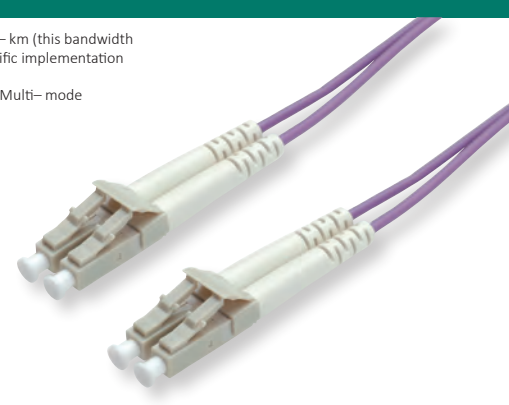
**ROLINE Fibre Optic Jumper Cables, 50/125µm OM4, Low-Loss-Connector**

**Security for the future! The OM4 fiber and connector quality with very low insertion ensure an excellent quality at very high bandwidths.**

- It supports 10 Gb/s Ethernet, Fibre Channel, and OIF applications to 550 meters, extends the system cost benefits to ultra long building backbones and medium length campus backbones.

- The cable assembled with „low– loss“ connectors achieve very good values for insertion loss and reflection. In comparison:
  - Typical attenuation of a standard LC connector: 0.5 dB
  - Typical attenuation of a low– loss LC connector: 0.15 dB

- Modal Bandwidth: 4700 MHz– km (this bandwidth is based on application– specific implementation of the EMBC requirements)
- Duplex cables with fiber type Multi– mode 50/125µm, OM4



**roline**<sup>®</sup>  
Designed for Professionals

Halogenfree  
Flame retardant  
Low Smoke

|   | Order-No.  | – P.U. |
|---|------------|--------|
| ROLINE FO Jumper Cable 50/125µm OM4, LC/LC, Low–Loss–Connector, violet, 0.5 m | 21.15.8850 | – 3    |
| ROLINE FO Jumper Cable 50/125µm OM4, LC/LC, Low–Loss–Connector, violet, 1.0 m | 21.15.8851 | – 3    |
| ROLINE FO Jumper Cable 50/125µm OM4, LC/LC, Low–Loss–Connector, violet, 2.0 m | 21.15.8852 | – 3    |
| ROLINE FO Jumper Cable 50/125µm OM4, LC/LC, Low–Loss–Connector, violet, 3.0 m | 21.15.8853 | – 3    |
| ROLINE FO Jumper Cable 50/125µm OM4, LC/LC, Low–Loss–Connector, violet, 5.0 m | 21.15.8855 | – 3    |
| ROLINE FO Jumper Cable 50/125µm OM4, LC/LC, Low–Loss–Connector, violet, 7.0 m | 21.15.8856 | – 3    |
| ROLINE FO Jumper Cable 50/125µm OM4, LC/LC, Low–Loss–Connector, violet, 10 m  | 21.15.8858 | – 3    |
| ROLINE FO Jumper Cable 50/125µm OM4, LC/LC, Low–Loss–Connector, violet, 15 m  | 21.15.8859 | – 5    |
| ROLINE FO Jumper Cable 50/125µm OM4, LC/LC, Low–Loss–Connector, violet, 20 m  | 21.15.8860 | – 5    |

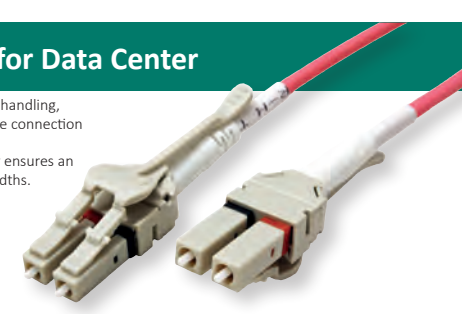
**ROLINE Fibre Optic Jumper Cables, 50/125µm OM4, Low-Loss-Connector, for Data Center**

**This fibre optic cable with the new connector significantly reduces the amount of space needed in rack, helping to control costs and improve efficiency**

- To double the density of fibers per rack and improve handling in Central Offices and Data Centres

- The new connector significantly reduces the amount of space needed, helping to control costs and improve efficiency.
- For a more efficient handling the connector of the fibre optic cable is equipped with a rigid, extended lever that employs a new way of push/pull mechanism

- For both installation and for ongoing handling, vertical space and finger access at the connection are needed
- The OM4 fiber and connector quality ensures an excellent quality at very high bandwidths.
- Color: purple



DATA CENTER  
capable

**roline**<sup>®</sup>  
Designed for Professionals

Halogenfree  
Flame retardant  
Low Smoke

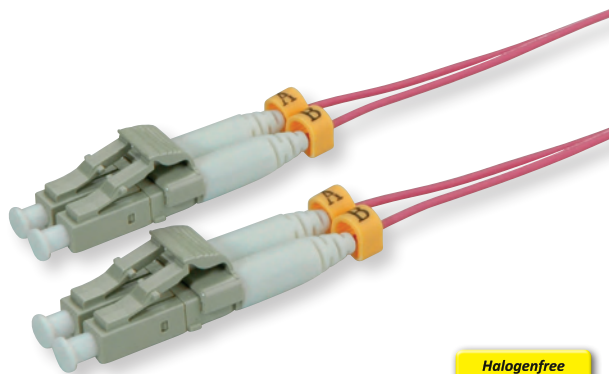
|   | Order-No.  | – P.U. |
|---|------------|--------|
| ROLINE FO Jumper Cable 50/125µm OM4, LC/LC, Low-Loss-Connector, 0.5 m | 21.15.8870 | – 5    |
| ROLINE FO Jumper Cable 50/125µm OM4, LC/LC, Low-Loss-Connector, 1.0 m | 21.15.8871 | – 5    |
| ROLINE FO Jumper Cable 50/125µm OM4, LC/LC, Low-Loss-Connector, 2.0 m | 21.15.8872 | – 5    |
| ROLINE FO Jumper Cable 50/125µm OM4, LC/LC, Low-Loss-Connector, 3.0 m | 21.15.8873 | – 5    |
| ROLINE FO Jumper Cable 50/125µm OM4, LC/LC, Low-Loss-Connector, 5.0 m | 21.15.8875 | – 5    |
| ROLINE FO Jumper Cable 50/125µm OM4, LC/LC, Low-Loss-Connector, 7.0 m | 21.15.8876 | – 5    |
| ROLINE FO Jumper Cable 50/125µm OM4, LC/LC, Low-Loss-Connector, 10 m  | 21.15.8880 | – 5    |
| ROLINE FO Jumper Cable 50/125µm OM4, LC/LC, Low-Loss-Connector, 15 m  | 21.15.8885 | – 5    |
| ROLINE FO Jumper Cable 50/125µm OM4, LC/LC, Low-Loss-Connector, 20 m  | 21.15.8890 | – 5    |

**ROLINE Fibre Optic SLIM Jumper Cables, 50/125µm OM4, LC/LC, OD 1.2mm**

**The solution for space problems in the fiber optic area of your data center!**  
**Extra-thin ROLINE fiber optic patch cables in OM4 quality for high-performance fiber optic cabling in high-density environments.**

The LC connector with its small cross-section allows high densities in the distribution area. And thanks to the extra-thin cable with a straight 1.2mm diameter, we now also have the appropriate supplement to this connector.

- Security for the future! The OM4 fiber and connector quality with very low insertion ensure an excellent quality at very high bandwidths of up to 10 Gb/s Ethernet, Fibre Channel, and OIF applications to 550 meters- extends the system cost benefits to ultra long building backbones and medium length campus backbones.
- Material and clothing in ROLINE quality
- Outer diameter: 1.2 x 2.4mm
- UPC polish
- Modal Bandwidth: 4700 MHz-km (this bandwidth is based on application-specific implementation of the EMBC requirements)
- Duplex cables with fiber type Multi-mode 50/125µm, OM4



Halogenfree  
 Flame retardant  
 Low Smoke

|   | Order-No.  | - P.U. |
|---|------------|--------|
| ROLINE FO SLIM Jumper Cable 50/125µm OM4, LC/LC, OD 1.2mm, violet, 1.0 m  | 21.15.9261 | - 10   |
| ROLINE FO SLIM Jumper Cable 50/125µm OM4, LC/LC, OD 1.2mm, violet, 2.0 m  | 21.15.9262 | - 10   |
| ROLINE FO SLIM Jumper Cable 50/125µm OM4, LC/LC, OD 1.2mm, violet, 3.0 m  | 21.15.9263 | - 10   |
| ROLINE FO SLIM Jumper Cable 50/125µm OM4, LC/LC, OD 1.2mm, violet, 5.0 m  | 21.15.9264 | - 5    |
| ROLINE FO SLIM Jumper Cable 50/125µm OM4, LC/LC, OD 1.2mm, violet, 7.0 m  | 21.15.9266 | - 5    |
| ROLINE FO SLIM Jumper Cable 50/125µm OM4, LC/LC, OD 1.2mm, violet, 10.0 m | 21.15.9265 | - 5    |

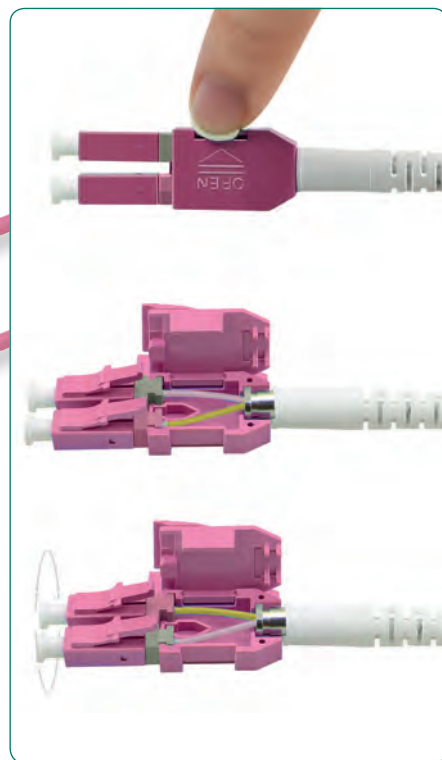
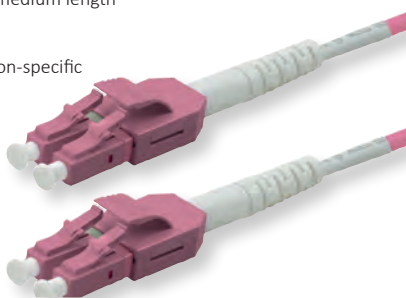
**roline**<sup>®</sup>  
 Designed for Professionals

**ROLINE FO Jumper Cable 50/125µm OM4, LC/LC, Data Center, UNIBOOT**

**NEW**

ROLINE Fiber Optic Uniboot LSOH Patch Cord LC/LC in OM4 quality for high-performance fiber optic cabling in excellent ROLINE quality. A uniboot connector is ideal for a high-density environment. Compared to the conventional duplex connector, the design is more compact and only one cable is used for two lines, which enables usage in a high-density environment. Changing the fiber polarity is easily possible without special tools.

- Security for the future! The OM4 fiber and connector quality with very low insertion ensure an excellent quality at very high bandwidths.
- It supports 10 Gb/s Ethernet, Fibre Channel, and OIF applications to 550 meters, extends the system cost benefits to ultra long building backbones and medium length campus backbones.
- Material and clothing in ROLINE quality
- Modal Bandwidth: 4700 MHz-km (this bandwidth is based on application-specific implementation of the EMBC requirements)
- Duplex cables with fiber type Multi-mode 50/125µm, OM4
- Uniboot for high-density environments
- Fiber polarity can be changed easily without special tools



**roline**<sup>®</sup>  
 Designed for Professionals

|   | Order-No.  | - P.U. |
|---|------------|--------|
| ROLINE FO Jumper Cable 50/125µm OM4, LC/LC, Data Center, UNIBOOT, violet, 0.5 m | 21.15.8650 | - 20   |
| ROLINE FO Jumper Cable 50/125µm OM4, LC/LC, Data Center, UNIBOOT, violet, 1 m   | 21.15.8651 | - 10   |
| ROLINE FO Jumper Cable 50/125µm OM4, LC/LC, Data Center, UNIBOOT, violet, 2 m   | 21.15.8652 | - 10   |
| ROLINE FO Jumper Cable 50/125µm OM4, LC/LC, Data Center, UNIBOOT, violet, 3 m   | 21.15.8653 | - 10   |
| ROLINE FO Jumper Cable 50/125µm OM4, LC/LC, Data Center, UNIBOOT, violet, 5 m   | 21.15.8654 | - 5    |
| ROLINE FO Jumper Cable 50/125µm OM4, LC/LC, Data Center, UNIBOOT, violet, 7 m   | 21.15.8655 | - 5    |
| ROLINE FO Jumper Cable 50/125µm OM4, LC/LC, Data Center, UNIBOOT, violet, 10 m  | 21.15.8656 | - 5    |
| ROLINE FO Jumper Cable 50/125µm OM4, LC/LC, Data Center, UNIBOOT, violet, 15 m  | 21.15.8657 | - 5    |
| ROLINE FO Jumper Cable 50/125µm OM4, LC/LC, Data Center, UNIBOOT, violet, 20 m  | 21.15.8658 | - 5    |

Halogenfree  
 Flame retardant  
 Low Smoke



## ROLINE Fibre Optic Jumper Cable Duplex, 50/125 µm, OM4, LC/LC, Armored

### ROLINE Fiber-Patchcable in OM4 quality for a high performance glas cabling

- OM4 fiber is a 50 µm laser-optimized fiber with extended bandwidth. It will be used to enhance the system performance for existing 1 and 10 Gbit/s applications as well as future 40 and 100 Gbit/s systems.
- In use at low data rates such as 100 Mbit/s or 1 Gbit/s, OM4 is on par with the OM2 or OM3 fibers. The OM4 fiber shows their true strengths at data rates of 10 Gbit/s and 40 Gbit/s with ranges of 550 meters or 300 meters.
- The quality of the connectors and fibres and an optimal assembly procedure lead to extremely good characteristics in respect of insertion loss and reflection

- **Steel armored**
- Compared to standard fiber optic patch cables, these cables are additionally protected by a flexible steel spiral helix
- Due to this high-quality cable construction, FO cables are tread-resistant and suitable for applications with increased mechanical demands
- **Only suitable for indoor use**
- Colour: Violet

|   | Order-No.  | P.U. |
|---|------------|------|
| ROLINE Fibre Optic Jumper Cable Duplex, 50/125µm, OM4, LC/LC, Armored, violet, 1 m  | 21.15.8610 | - 10 |
| ROLINE Fibre Optic Jumper Cable Duplex, 50/125µm, OM4, LC/LC, Armored, violet, 2 m  | 21.15.8611 | - 10 |
| ROLINE Fibre Optic Jumper Cable Duplex, 50/125µm, OM4, LC/LC, Armored, violet, 3 m  | 21.15.8612 | - 5  |
| ROLINE Fibre Optic Jumper Cable Duplex, 50/125µm, OM4, LC/LC, Armored, violet, 5 m  | 21.15.8613 | - 5  |
| ROLINE Fibre Optic Jumper Cable Duplex, 50/125µm, OM4, LC/LC, Armored, violet, 7 m  | 21.15.8614 | - 5  |
| ROLINE Fibre Optic Jumper Cable Duplex, 50/125µm, OM4, LC/LC, Armored, violet, 10 m | 21.15.8615 | - 5  |
| ROLINE Fibre Optic Jumper Cable Duplex, 50/125µm, OM4, LC/LC, Armored, violet, 15 m | 21.15.8616 | - 5  |
| ROLINE Fibre Optic Jumper Cable Duplex, 50/125µm, OM4, LC/LC, Armored, violet, 20 m | 21.15.8617 | - 5  |



Steel Armored

**roline**<sup>®</sup>  
Designed for Professionals

Halogenfree  
Flame retardant  
Low Smoke

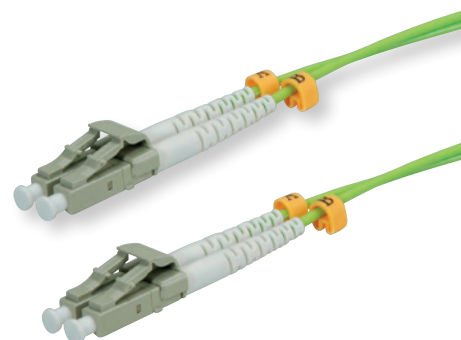
## ROLINE Fibre Optic Jumper Cable, 50/125 µm, OM5, LC/LC

### ROLINE fiber optic patch cables in OM5 quality for high-performance fiber optic cabling in high-density environments.

- Security for the future! The OM5 fiber connector quality with very low insertion ensures an excellent quality at very high bandwidths of up to 100 Gbit/s Ethernet, Fibre Channel, and OIF applications with up to 150 meters- extends the system cost benefits to ultra long building backbones and medium length campus backbones.
- Material and clothing in ROLINE quality
- Duplex cables with fiber type Multimode 50/125µm, OM5

- Attenuation 850nm ≤ 2.3 dB/km, 953nm ≤ 1.7 dB/km, 1300nm ≤ 0.6 dB/km
- The cable assembled with „low-loss“ connectors achieve very good values for insertion loss and reflection. Insertion loss of less than 0.3dB
- Outer diameter: 2.0mm
- UPC polish
- Modal Bandwidth: 4700 MHz-km (this bandwidth is based on application-specific implementation of the EMBC requirements)

|   | Order-No.  | P.U. |
|---|------------|------|
| ROLINE Fibre Optic Jumper Cable, 50/125 µm, LC/LC, OM5, green, 1.0 m  | 21.15.9271 | - 10 |
| ROLINE Fibre Optic Jumper Cable, 50/125 µm, LC/LC, OM5, green, 2.0 m  | 21.15.9272 | - 10 |
| ROLINE Fibre Optic Jumper Cable, 50/125 µm, LC/LC, OM5, green, 3.0 m  | 21.15.9273 | - 10 |
| ROLINE Fibre Optic Jumper Cable, 50/125 µm, LC/LC, OM5, green, 5.0 m  | 21.15.9274 | - 5  |
| ROLINE Fibre Optic Jumper Cable, 50/125 µm, LC/LC, OM5, green, 7.0 m  | 21.15.9276 | - 5  |
| ROLINE Fibre Optic Jumper Cable, 50/125 µm, LC/LC, OM5, green, 10.0 m | 21.15.9275 | - 5  |



**roline**<sup>®</sup>  
Designed for Professionals

Halogenfree  
Flame retardant  
Low Smoke

## ROLINE Fibre Optic Jumper Cable, 50/125 µm, LC/LC, OM5, Low-Loss Connector

### ROLINE fiber optic patch cables in OM5 quality for high-performance fiber optic cabling in high-density environments.

- Security for the future! The OM5 fiber connector quality with very low insertion loss ensures an excellent quality at very high bandwidths of up to 100 Gbit/s Ethernet, Fibre Channel, and OIF applications with up to 150 meters- extends the system cost benefits to ultra long building backbones and medium

- length campus backbones.
- Material and clothing in ROLINE quality
- Duplex cables with fiber type Multimode 50/125µm, OM5
- The cable assembled with „low-loss“ connectors achieve very good values for insertion loss and reflection. In comparison:
  - Typical attenuation of a standard LC connector: 0.5 dB
  - Typical attenuation of a low-loss LC connector: 0.15 dB
- Attenuation 850nm ≤ 2.3 dB/km, 953nm ≤ 1.7 dB/km, 1300nm ≤ 0.6 dB/km

- IL (Insertion Loss) < 0.15dB
- RL (Return Loss) ≥ 30dB
- Outer diameter: 2.0mm
- UPC polish
- Modal Bandwidth: 4700 MHz-km (this bandwidth is based on application-specific implementation of the EMBC requirements)

|  | Order-No.  | P.U. |
|--|------------|------|
| ROLINE Fibre Optic Jumper Cable, 50/125 µm, LC/LC, OM5, Low-Loss Connector, green, 0.5 m | 21.15.9280 | - 5  |
| ROLINE Fibre Optic Jumper Cable, 50/125 µm, LC/LC, OM5, Low-Loss Connector, green, 1 m   | 21.15.9281 | - 5  |
| ROLINE Fibre Optic Jumper Cable, 50/125 µm, LC/LC, OM5, Low-Loss Connector, green, 2 m   | 21.15.9282 | - 5  |
| ROLINE Fibre Optic Jumper Cable, 50/125 µm, LC/LC, OM5, Low-Loss Connector, green, 3 m   | 21.15.9283 | - 5  |
| ROLINE Fibre Optic Jumper Cable, 50/125 µm, LC/LC, OM5, Low-Loss Connector, green, 5 m   | 21.15.9284 | - 5  |
| ROLINE Fibre Optic Jumper Cable, 50/125 µm, LC/LC, OM5, Low-Loss Connector, green, 7 m   | 21.15.9285 | - 5  |
| ROLINE Fibre Optic Jumper Cable, 50/125 µm, LC/LC, OM5, Low-Loss Connector, green, 10 m  | 21.15.9286 | - 5  |
| ROLINE Fibre Optic Jumper Cable, 50/125 µm, LC/LC, OM5, Low-Loss Connector, green, 15 m  | 21.15.9287 | - 5  |
| ROLINE Fibre Optic Jumper Cable, 50/125 µm, LC/LC, OM5, Low-Loss Connector, green, 20 m  | 21.15.9288 | - 5  |



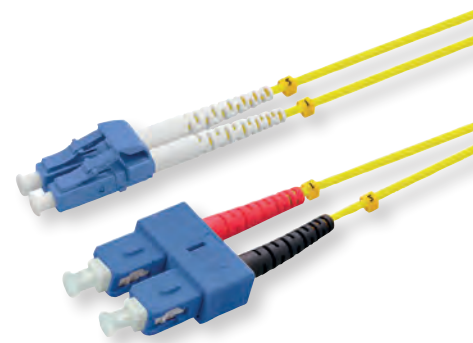
**roline**<sup>®</sup>  
Designed for Professionals

Halogenfree  
Flame retardant  
Low Smoke

**ROLINE Fibre Optic Jumper CableS, 9/125µm, OS2, LC/SC, Duplex, LSOH**

**ROLINE LSOH fiber optic patch cable with single mode fibers in OS2 quality.**

- Cable sheathing made of halogen-free, low smoke and flame-retardant material
- Assembled with high-quality connectors with ceramic ferrule
- Core structure: Duplex cable I-VH
- High tensile strength due to Kevlar with aramid fibres



**roline**<sup>®</sup>  
Designed for Professionals

Halogenfree  
Flame retardant  
Low Smoke

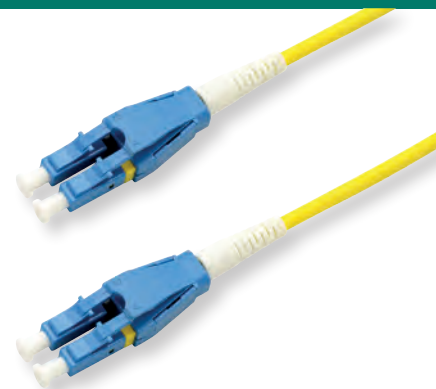
|   | Order-No.  | – P.U. |
|---|------------|--------|
| ROLINE Fibre Optic Jumper Cable, 9/125µm, OS2, LC/SC, Duplex, yellow, 0.5 m | 21.15.8790 | – 10   |
| ROLINE Fibre Optic Jumper Cable, 9/125µm, OS2, LC/SC, Duplex, yellow, 1 m   | 21.15.8791 | – 10   |
| ROLINE Fibre Optic Jumper Cable, 9/125µm, OS2, LC/SC, Duplex, yellow, 2 m   | 21.15.8792 | – 10   |
| ROLINE Fibre Optic Jumper Cable, 9/125µm, OS2, LC/SC, Duplex, yellow, 3 m   | 21.15.8793 | – 5    |
| ROLINE Fibre Optic Jumper Cable, 9/125µm, OS2, LC/SC, Duplex, yellow, 5 m   | 21.15.8794 | – 5    |

**ROLINE Fibre Optic Jumper Cables, 9/125µm, OS2, LC/LC, Duplex, LSOH**

**ROLINE LSOH fiber optic patch cable with single mode fibers in OS2 quality.**

- Cable sheathing made of halogen-free, low smoke and flame-retardant material
- Assembled with high-quality connectors with ceramic ferrule
- Core structure: Duplex cable I-VH
- High tensile strength due to Kevlar with aramid fibres

**Halogen-free, flame retardant, low smoke.**



**roline**<sup>®</sup>  
Designed for Professionals

Halogenfree  
Flame retardant  
Low Smoke

|  | Order-No.  | – P.U. |
|--|------------|--------|
| ROLINE FO Jumper Cable duplex, 9/125µm, OS2, LC/LC, duplex, yellow, 0.5 m  | 21.15.8780 | – 10   |
| ROLINE FO Jumper Cable duplex, 9/125µm, OS2, LC/LC, duplex, yellow, 1.0 m  | 21.15.8781 | – 10   |
| ROLINE FO Jumper Cable duplex, 9/125µm, OS2, LC/LC, duplex, yellow, 2.0 m  | 21.15.8782 | – 10   |
| ROLINE FO Jumper Cable duplex, 9/125µm, OS2, LC/LC, duplex, yellow, 3.0 m  | 21.15.8783 | – 5    |
| ROLINE FO Jumper Cable duplex, 9/125µm, OS2, LC/LC, duplex, yellow, 5.0 m  | 21.15.8785 | – 5    |
| ROLINE FO Jumper Cable duplex, 9/125µm, OS2, LC/LC, duplex, yellow, 7.0 m  | 21.15.8784 | – 5    |
| ROLINE FO Jumper Cable duplex, 9/125µm, OS2, LC/LC, duplex, yellow, 10.0 m | 21.15.8789 | – 5    |
| ROLINE FO Jumper Cable duplex, 9/125µm, OS2, LC/LC, duplex, yellow, 15.0 m | 21.15.8786 | – 5    |
| ROLINE FO Jumper Cable duplex, 9/125µm, OS2, LC/LC, duplex, yellow, 20.0 m | 21.15.8787 | – 5    |

**ROLINE Fibre Optic Jumper Cable duplex, 9/125µm, OS2, LC/LC, UNIBOOT**

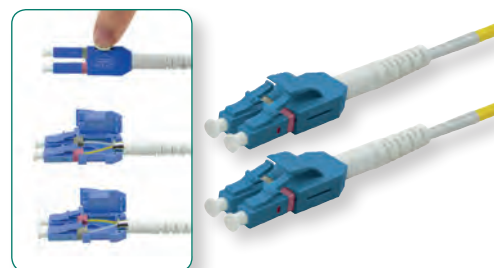
**NEW**

**ROLINE Fiber Optic Uniboot LSOH Patch Cord LC/LC in OS2 quality. A uniboot connector is ideal for a high-density environment. Compared to the conventional duplex connector, the design is more compact and only one cable is used for two lines, which enables usage in a high-density environment. Changing the fiber polarity is easily possible without special tools.**

- Cable sheathing made of halogen-free, low smoke and flame-retardant material
- Assembled with high-quality connectors with ceramic ferrule

- Core structure: Duplex cable I-VH
- High tensile strength due to aramid yarn strain relief
- Uniboot Patch Cord for high-density environments
- Fiber polarity can be changed easily without special tools

Halogenfree  
Flame retardant  
Low Smoke



**roline**<sup>®</sup>  
Designed for Professionals

|   | Order-No.  | – P.U. |
|---|------------|--------|
| ROLINE Fibre Optic Jumper Cable duplex, 9/125µm, OS2, LC/LC, UNIBOOT, yellow, 0.5 m | 21.15.8640 | – 20   |
| ROLINE Fibre Optic Jumper Cable duplex, 9/125µm, OS2, LC/LC, UNIBOOT, yellow, 1 m   | 21.15.8641 | – 10   |
| ROLINE Fibre Optic Jumper Cable duplex, 9/125µm, OS2, LC/LC, UNIBOOT, yellow, 2 m   | 21.15.8642 | – 10   |
| ROLINE Fibre Optic Jumper Cable duplex, 9/125µm, OS2, LC/LC, UNIBOOT, yellow, 3 m   | 21.15.8643 | – 10   |
| ROLINE Fibre Optic Jumper Cable duplex, 9/125µm, OS2, LC/LC, UNIBOOT, yellow, 5 m   | 21.15.8644 | – 5    |
| ROLINE Fibre Optic Jumper Cable duplex, 9/125µm, OS2, LC/LC, UNIBOOT, yellow, 7 m   | 21.15.8645 | – 5    |
| ROLINE Fibre Optic Jumper Cable duplex, 9/125µm, OS2, LC/LC, UNIBOOT, yellow, 10 m  | 21.15.8646 | – 5    |
| ROLINE Fibre Optic Jumper Cable duplex, 9/125µm, OS2, LC/LC, UNIBOOT, yellow, 15 m  | 21.15.8647 | – 5    |
| ROLINE Fibre Optic Jumper Cable duplex, 9/125µm, OS2, LC/LC, UNIBOOT, yellow, 20 m  | 21.15.8648 | – 5    |

## ROLINE Fibre Optic Jumper Cable 9/125µm, OS2, LC/LC, APC, Simplex, LSOH, Armored

### ROLINE LSOH fiber optic patch cable with single mode fibers in OS2 quality.

- Connects optical fibre socket to switch/router/internet box
- Suitable for high-speed Internet
- Fiber optic patch cable simplex with single mode fibers in OS2 quality
- **Steel armored**
- **APC polished**
- Compared to standard fiber optic patch cables, these cables are additionally protected by a flexible steel spiral helix
- Due to this high-quality cable construction, FO cables are tread-resistant and suitable for applications with increased mechanical demands

- Only suitable for indoor use

Halogen-free, flame retardant, low smoke.



Steel Armored

Halogenfree  
Flame retardant  
Low Smoke

**roline**<sup>®</sup>  
Designed for Professionals

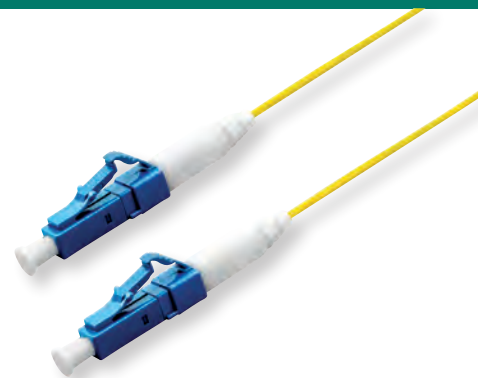
|   | Order-No.  | – P.U. |
|---|------------|--------|
| ROLINE Fibre Optic Jumper Cable 9/125µm, OS2, LC/LC, APC, Simplex, LSOH, Armored, white, 1 m  | 21.15.8600 | – 10   |
| ROLINE Fibre Optic Jumper Cable 9/125µm, OS2, LC/LC, APC, Simplex, LSOH, Armored, white, 2 m  | 21.15.8601 | – 10   |
| ROLINE Fibre Optic Jumper Cable 9/125µm, OS2, LC/LC, APC, Simplex, LSOH, Armored, white, 3 m  | 21.15.8602 | – 5    |
| ROLINE Fibre Optic Jumper Cable 9/125µm, OS2, LC/LC, APC, Simplex, LSOH, Armored, white, 5 m  | 21.15.8603 | – 5    |
| ROLINE Fibre Optic Jumper Cable 9/125µm, OS2, LC/LC, APC, Simplex, LSOH, Armored, white, 7 m  | 21.15.8604 | – 5    |
| ROLINE Fibre Optic Jumper Cable 9/125µm, OS2, LC/LC, APC, Simplex, LSOH, Armored, white, 10 m | 21.15.8606 | – 5    |
| ROLINE Fibre Optic Jumper Cable 9/125µm, OS2, LC/LC, APC, Simplex, LSOH, Armored, white, 15 m | 21.15.8607 | – 5    |
| ROLINE Fibre Optic Jumper Cable 9/125µm, OS2, LC/LC, APC, Simplex, LSOH, Armored, white, 20 m | 21.15.8608 | – 5    |

## ROLINE Fibre Optic Jumper Cables, 9/125µm, OS2, LC/LC, UPC Polish, Simplex, LSOH

### ROLINE LSOH fiber optic patch cable with single mode fibers in OS2 quality.

- Connects optical fibre socket to switch/router/internet box
- Suitable for high-speed Internet
- Fiber optic patch cable simplex with single mode fibers in OS2 quality

Halogen-free, flame retardant, low smoke.



Halogenfree  
Flame retardant  
Low Smoke

**roline**<sup>®</sup>  
Designed for Professionals

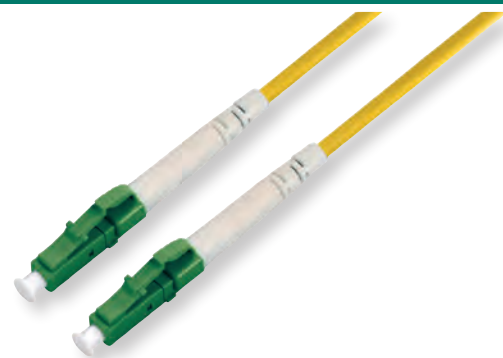
|   | Order-No.  | – P.U. |
|---|------------|--------|
| ROLINE FO Jumper Cable 9/125µm, OS2, LC/LC, UPC, simplex, LSOH, yellow, 0.5 m | 21.15.8840 | – 10   |
| ROLINE FO Jumper Cable 9/125µm, OS2, LC/LC, UPC, simplex, LSOH, yellow, 1 m   | 21.15.8841 | – 10   |
| ROLINE FO Jumper Cable 9/125µm, OS2, LC/LC, UPC, simplex, LSOH, yellow, 2 m   | 21.15.8842 | – 10   |
| ROLINE FO Jumper Cable 9/125µm, OS2, LC/LC, UPC, simplex, LSOH, yellow, 3 m   | 21.15.8843 | – 5    |
| ROLINE FO Jumper Cable 9/125µm, OS2, LC/LC, UPC, simplex, LSOH, yellow, 5 m   | 21.15.8845 | – 5    |
| ROLINE FO Jumper Cable 9/125µm, OS2, LC/LC, UPC, simplex, LSOH, yellow, 7 m   | 21.15.8846 | – 5    |
| ROLINE FO Jumper Cable 9/125µm, OS2, LC/LC, UPC, simplex, LSOH, yellow, 10 m  | 21.15.8847 | – 5    |

## ROLINE Fibre Optic Jumper Cable 9/125µm, OS2, LC/LC, APC, Simplex, LSOH

### ROLINE LSOH fiber optic patch cable with single mode fibers in OS2 quality.

- Connects optical fibre socket to switch/router/internet box
- Suitable for high-speed Internet
- Fiber optic patch cable simplex with single mode fibers in OS2 quality
- **APC polish**

Halogen-free, flame retardant, low smoke.



Halogenfree  
Flame retardant  
Low Smoke

**roline**<sup>®</sup>  
Designed for Professionals

|  | Order-No.  | – P.U. |
|--|------------|--------|
| ROLINE Fibre Optic Jumper Cable 9/125µm, OS2, LC/LC, APC, Simplex, LSOH, yellow, 1 m | 21.15.8620 | – 10   |
| ROLINE Fibre Optic Jumper Cable 9/125µm, OS2, LC/LC, APC, Simplex, LSOH, yellow, 2 m | 21.15.8621 | – 10   |
| ROLINE Fibre Optic Jumper Cable 9/125µm, OS2, LC/LC, APC, Simplex, LSOH, yellow, 3 m | 21.15.8622 | – 5    |
| ROLINE Fibre Optic Jumper Cable 9/125µm, OS2, LC/LC, APC, Simplex, LSOH, yellow, 5 m | 21.15.8623 | – 5    |



### ROLINE Fibre Optic Jumper Cable Duplex, 9/125µm, OS2, LC/LC, Armored

**ROLINE LSOH fiber optic patch cable with single mode fibers in OS2 quality.**

- Cable sheathing made of halogen-free, low smoke and flame-retardant material
- Assembled with high-quality connectors with ceramic ferrule
- Core structure: Duplex cable I-VH
- High tensile strength due to aramid yarn strain relief
- **Steel armored**
- Compared to standard fiber optic patch cables, these cables are additionally protected by a flexible steel spiral helix
- Due to this high-quality cable construction, FO cables are tread-resistant and suitable for applications with increased mechanical demands

Steel Armored

**Only suitable for indoor use**

Order-No. – P.U.

|   |                 |
|---|-----------------|
| ROLINE Fibre Optic Jumper Cable Duplex, 9/125µm, OS2, LC/LC, Armored, white, 1 m  | 21.15.8630 – 10 |
| ROLINE Fibre Optic Jumper Cable Duplex, 9/125µm, OS2, LC/LC, Armored, white, 2 m  | 21.15.8631 – 10 |
| ROLINE Fibre Optic Jumper Cable Duplex, 9/125µm, OS2, LC/LC, Armored, white, 3 m  | 21.15.8632 – 5  |
| ROLINE Fibre Optic Jumper Cable Duplex, 9/125µm, OS2, LC/LC, Armored, white, 5 m  | 21.15.8633 – 5  |
| ROLINE Fibre Optic Jumper Cable Duplex, 9/125µm, OS2, LC/LC, Armored, white, 7 m  | 21.15.8634 – 5  |
| ROLINE Fibre Optic Jumper Cable Duplex, 9/125µm, OS2, LC/LC, Armored, white, 10 m | 21.15.8635 – 5  |
| ROLINE Fibre Optic Jumper Cable Duplex, 9/125µm, OS2, LC/LC, Armored, white, 15 m | 21.15.8636 – 5  |
| ROLINE Fibre Optic Jumper Cable Duplex, 9/125µm, OS2, LC/LC, Armored, white, 20 m | 21.15.8637 – 5  |



**roline**<sup>®</sup>  
Designed for Professionals

Halogenfree  
Flame retardant  
Low Smoke

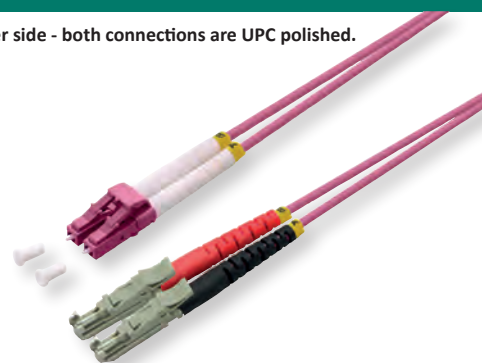
### ROLINE Fibre Optic Jumper Cables, 50/125µm OM4, LSH/LC, UPC Polish, LSOH

**High-quality fibre optic cables with the high protective, secured LSH connection on one side and LC plug on the other side - both connections are UPC polished.**

- Duplex cable with 50/125µm OM4 fibre type
- Cable material: sheath halogen-free and flame-retardant, violet
- LC connector: plug with high mechanical load capacity, push-pull latched with anti-rotation device, ceramic ferrule
- LSH connector: precisely manufactured connector with low return loss, ceramic ferrule
- UPC Polish (Ultra Physical Contact)
- IL < 0.25dB, RL > 25dB
- IL (typical) < 0.12dB
- Cable OD (outer diameter): 3.0 x 6.0mm

Order-No. – P.U.

|   |                 |
|---|-----------------|
| ROLINE FO Jumper Cable 50/125µm OM4, LSH/LC, UPC Polish, LSOH, violet, 0.5 m  | 21.15.9470 – 10 |
| ROLINE FO Jumper Cable 50/125µm OM4, LSH/LC, UPC Polish, LSOH, violet, 1.0 m  | 21.15.9471 – 10 |
| ROLINE FO Jumper Cable 50/125µm OM4, LSH/LC, UPC Polish, LSOH, violet, 2.0 m  | 21.15.9472 – 10 |
| ROLINE FO Jumper Cable 50/125µm OM4, LSH/LC, UPC Polish, LSOH, violet, 3.0 m  | 21.15.9473 – 5  |
| ROLINE FO Jumper Cable 50/125µm OM4, LSH/LC, UPC Polish, LSOH, violet, 5.0 m  | 21.15.9475 – 5  |
| ROLINE FO Jumper Cable 50/125µm OM4, LSH/LC, UPC Polish, LSOH, violet, 7.5 m  | 21.15.9476 – 5  |
| ROLINE FO Jumper Cable 50/125µm OM4, LSH/LC, UPC Polish, LSOH, violet, 10.0 m | 21.15.9477 – 5  |



**roline**<sup>®</sup>  
Designed for Professionals

Halogenfree  
Flame retardant  
Low Smoke

### ROLINE Fibre Optic Jumper Cables Duplex, 50/125µm OM4, LSH/LSH, UPC Polish, LSOH

**High-quality fibre optic cable with the high protective, secured LSH connection on both sides - both connections are UPC polished.**

- Duplex cable with 50/125µm OM4 fibre type
- Cable material: sheath halogen-free and flame-retardant, violet, solid core with aramid strain relief
- LSH connector: precisely manufactured connector with low return loss, ceramic ferrule, beige
- The LSH connector has a spring-loaded shutter, which fully protects the ferrule from dust and scratches
- UPC Polish (Ultra Physical Contact)

- IL < 0.25dB, RL > 25dB
- IL (typical) < 0.12dB
- Cable OD (outer diameter): 3.0 x 6.0mm

Order-No. – P.U.

|  |                 |
|--|-----------------|
| ROLINE FO Jumper Cable Duplex, 50/125µm OM4, LSH/LSH, UPC Polish, LSOH, violet, 0.5 m  | 21.15.9490 – 10 |
| ROLINE FO Jumper Cable Duplex, 50/125µm OM4, LSH/LSH, UPC Polish, LSOH, violet, 1.0 m  | 21.15.9491 – 10 |
| ROLINE FO Jumper Cable Duplex, 50/125µm OM4, LSH/LSH, UPC Polish, LSOH, violet, 2.0 m  | 21.15.9492 – 10 |
| ROLINE FO Jumper Cable Duplex, 50/125µm OM4, LSH/LSH, UPC Polish, LSOH, violet, 3.0 m  | 21.15.9493 – 5  |
| ROLINE FO Jumper Cable Duplex, 50/125µm OM4, LSH/LSH, UPC Polish, LSOH, violet, 5.0 m  | 21.15.9495 – 5  |
| ROLINE FO Jumper Cable Duplex, 50/125µm OM4, LSH/LSH, UPC Polish, LSOH, violet, 7.5 m  | 21.15.9496 – 5  |
| ROLINE FO Jumper Cable Duplex, 50/125µm OM4, LSH/LSH, UPC Polish, LSOH, violet, 10.0 m | 21.15.9497 – 5  |



**roline**<sup>®</sup>  
Designed for Professionals

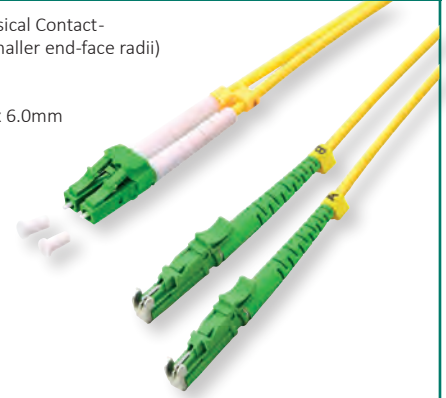
Halogenfree  
Flame retardant  
Low Smoke

## ROLINE Fibre Optic Jumper Cable Duplex, 9/125µm, OS2, LSH/LC, APC Polish, LSOH

**High-quality fibre optic cable with the high protective, secured LSH connection on one side and LC plug on the other side - both connections are APC polished.**

- Duplex cable with fiber type 9/125µm OS2
- Cable material: sheath halogen-free and flame-retardant, yellow, solid core with aramid strain relief
- LC connector: connector with high mechanical load capacity, push-pull latched with anti-rotation lock, APC ground joint, ceramic ferrule
- LSH connector: precision-manufactured connectors with low return loss (RL), APC ground joint, ceramic ferrule, green
- The LSH connector has a spring-loaded shutter, which fully protects the ferrule from dust and scratches

- APC Polish (8° - APC- Angled Physical Contact- allows tighter connection and smaller end-face radii)
- IL < 0.25dB, RL > 60dB
- IL (typical) < 0.12dB
- Cable OD (outer diameter): 3.0 x 6.0mm



**Order-No. – P.U.**

|   |            |      |
|---|------------|------|
| ROLINE FO Jumper Cable Duplex, 9/125µm, OS2, LSH/LC, APC Polish, LSOH, yellow, 0.5 m  | 21.15.9480 | – 10 |
| ROLINE FO Jumper Cable Duplex, 9/125µm, OS2, LSH/LC, APC Polish, LSOH, yellow, 1.0 m  | 21.15.9481 | – 10 |
| ROLINE FO Jumper Cable Duplex, 9/125µm, OS2, LSH/LC, APC Polish, LSOH, yellow, 2.0 m  | 21.15.9482 | – 10 |
| ROLINE FO Jumper Cable Duplex, 9/125µm, OS2, LSH/LC, APC Polish, LSOH, yellow, 3.0 m  | 21.15.9483 | – 5  |
| ROLINE FO Jumper Cable Duplex, 9/125µm, OS2, LSH/LC, APC Polish, LSOH, yellow, 5.0 m  | 21.15.9485 | – 5  |
| ROLINE FO Jumper Cable Duplex, 9/125µm, OS2, LSH/LC, APC Polish, LSOH, yellow, 7.5 m  | 21.15.9486 | – 5  |
| ROLINE FO Jumper Cable Duplex, 9/125µm, OS2, LSH/LC, APC Polish, LSOH, yellow, 10.0 m | 21.15.9487 | – 5  |

**roline**<sup>®</sup>  
Designed for Professionals

Halogenfree  
Flame retardant  
Low Smoke

## ROLINE Fibre Optic Jumper Cable Duplex, 9/125µm, OS2, LSH/LSH, APC Polish, LSOH

**High-quality fibre optic cable with the high protective, secured LSH connection on both sides - both connections are APC polished.**

- Duplex cable with fiber type 9/125µm OS2
- Cable material: sheath halogen-free and flame-retardant, yellow, solid core with aramid strain relief
- LSH connectors: precision-manufactured connectors with low return loss, APC ground joint, ceramic ferrule
- The LSH connector has a spring-loaded shutter, which fully protects the ferrule from dust and scratches

- APC Polish (8° - APC- Angled Physical Contact- allows tighter connection and smaller end-face radii)
- IL < 0.25dB, RL > 60dB
- IL (typical) < 0.12dB
- Cable OD (outer diameter): 3.0 x 6.0mm



**Order-No. – P.U.**

|  |            |      |
|--|------------|------|
| ROLINE FO Jumper Cable Duplex, 9/125µm, OS2, LSH/LSH, APC Polish, LSOH, yellow, 0.5 m  | 21.15.9500 | – 10 |
| ROLINE FO Jumper Cable Duplex, 9/125µm, OS2, LSH/LSH, APC Polish, LSOH, yellow, 1.0 m  | 21.15.9501 | – 10 |
| ROLINE FO Jumper Cable Duplex, 9/125µm, OS2, LSH/LSH, APC Polish, LSOH, yellow, 2.0 m  | 21.15.9502 | – 10 |
| ROLINE FO Jumper Cable Duplex, 9/125µm, OS2, LSH/LSH, APC Polish, LSOH, yellow, 3.0 m  | 21.15.9503 | – 5  |
| ROLINE FO Jumper Cable Duplex, 9/125µm, OS2, LSH/LSH, APC Polish, LSOH, yellow, 5.0 m  | 21.15.9505 | – 5  |
| ROLINE FO Jumper Cable Duplex, 9/125µm, OS2, LSH/LSH, APC Polish, LSOH, yellow, 7.5 m  | 21.15.9506 | – 5  |
| ROLINE FO Jumper Cable Duplex, 9/125µm, OS2, LSH/LSH, APC Polish, LSOH, yellow, 10.0 m | 21.15.9507 | – 5  |

**roline**<sup>®</sup>  
Designed for Professionals

Halogenfree  
Flame retardant  
Low Smoke

## ROLINE Fibre Optic Jumper Cable LSH Duplex, 9/125µm, OS2, LSH APC / LC UPC, LSOH

**High-quality fibre optic cable with the high protective, secured APC polished LSH connection on one side and UPC polished LC plug on the other side.**

- Duplex cable with fiber type 9/125µm OS2
- Cable material: sheath halogen-free and flame-retardant, yellow, solid core with aramid strain relief

- LC connector: connector with high mechanical load capacity, push-pull latched with anti-rotation lock, APC ground joint, ceramic ferrule
- LSH connectors: precision-manufactured connectors with low return loss, APC ground joint, ceramic ferrule, grey
- The LSH connector has a spring-loaded shutter, which fully protects the ferrule

- from dust and scratches
- LSH APC Polish (8°) / LC UPC Polish
- IL < 0.25dB, RL > 25dB
- IL (typical) < 0.12dB
- Cable OD (outer diameter): 3.0 x 6.0mm



**Order-No. – P.U.**

|   |            |      |
|---|------------|------|
| ROLINE FO Jumper Cable LSH Duplex, 9/125µm, OS2, LSH APC / LC UPC, LSOH, yellow, 0.5 m  | 21.15.9510 | – 10 |
| ROLINE FO Jumper Cable LSH Duplex, 9/125µm, OS2, LSH APC / LC UPC, LSOH, yellow, 1.0 m  | 21.15.9511 | – 10 |
| ROLINE FO Jumper Cable LSH Duplex, 9/125µm, OS2, LSH APC / LC UPC, LSOH, yellow, 2.0 m  | 21.15.9512 | – 10 |
| ROLINE FO Jumper Cable LSH Duplex, 9/125µm, OS2, LSH APC / LC UPC, LSOH, yellow, 3.0 m  | 21.15.9513 | – 5  |
| ROLINE FO Jumper Cable LSH Duplex, 9/125µm, OS2, LSH APC / LC UPC, LSOH, yellow, 5.0 m  | 21.15.9515 | – 5  |
| ROLINE FO Jumper Cable LSH Duplex, 9/125µm, OS2, LSH APC / LC UPC, LSOH, yellow, 7.5 m  | 21.15.9516 | – 5  |
| ROLINE FO Jumper Cable LSH Duplex, 9/125µm, OS2, LSH APC / LC UPC, LSOH, yellow, 10.0 m | 21.15.9517 | – 5  |

**roline**<sup>®</sup>  
Designed for Professionals

Halogenfree  
Flame retardant  
Low Smoke



**VALUE Fibre Optic Universal-Cleaning Products**

- Application range: can be used for any optical fiber cables plug type independently
- The cassette cleaner wipes away contaminants from optical connector end face
- Designed for all types of connectors
- Compact size for easy hand-held operations
- Dry-clean without the use of harmful substances
- Cleaning micro fibers are densely stranded and debris free
- Constructed with anti-static material
- Up to 500 cleanings per unit possible
- Contents: 100 Cleaning-Tissues



Order-No. – P.U.

VALUE Fibre Optic Cleaning Cassette

13.99.3005 – 5

**VALUE 19" Splice Box Empty 1U, Extendable, 24x**

**21.99.0651**

- 19" FO panel to split multi-core fiber optic cable on single cores
- Prepared for splice trays
- 1.5 mm sheet steel, black
- Cable entry: PG 13
- Space for max. 24x SC simplex couplings 21.99.0670/0671/0672/0673 or 24x LC couplings duplex 21.99.0663/0664/0665/0666



Order-No. – P.U.

VALUE 19" Splice box empty 1U, Extendable, 24x SC-DX quadruple A 21.99.0649 – 4

VALUE 19" Splice Box Empty 1U, Extendable, 24x SC-DX B 21.99.0651 – 4

**21.99.0649**

- 19" FO panel to split multi-core fiber optic cable on single cores
- Prepared for splice trays
- 1.5 mm sheet steel, black
- Cable entry: PG 13
- Space for max. 24 SC duplex couplings 21.99.0655/0656/0657 or 24 LC couplings (quadruple) 21.99.0660/0661/0662



**ROLINE FO Panel 19" unloaded, 12x Ports SC(Simplex)/LC(Duplex)**

**For applications like: Data centres, premise installations, telecommunication networks, Data communication**

- Offers a flexible, multi functional solution allowing an easy access during installation or re-work with no disturbance of the existing cable or fibres
- Robust 1U sliding patch panel designed to house 12 adapters for SC or LC Multimode and Single-mode applications
- Fiber Optic Patch Panel for 12x Ports SC(Simplex) / LC(Duplex)
- The tray is locked in place with 2x metal screws
- When the tray is fully extended the it can be lowered to a 45 degrees angle and will provide the perfect working platform for installation or maintenance
- Offers 2 cable entry points, cables can be fixed with a gland buffer
- 1x M20 and 1x M25 cable gland included



**roline**  
Designed for Professionals

Order-No. – P.U.

ROLINE FO Panel 19" unloaded, 12x Ports SC(Simplex)/LC(Duplex), black 21.17.0350 – 3

**ROLINE FO Panel 19" unloaded, 16x Ports (Keystones)**



**For applications like: Data centres, premise installations, telecommunication networks, Data communication**

- Offers a flexible, multi functional solution allowing an easy access during installation or re-work with no disturbance of the existing cable or fibres
- Robust 1U sliding patch panel designed to house 16 keystones
- Fiber Optic Patch Panel for 16x Ports Keystones
- The tray is locked in place with 2x metal screws
- Offers 2 cable entry points (PG13), cables can be fixed with a gland buffer

- Contents: Panel, PG13.5 cable clamp 2 pcs., M6 screw and nuts 4 sets cable tie 6 pcs.



**roline**  
Designed for Professionals

Order-No. – P.U.

ROLINE FO Panel 19" unloaded, 16x Ports (Keystones), black 21.17.0351 – 5



## ROLINE Fiber Optic Keystone Jacks

- ROLINE quality keystone adapter for fiber optic cabling
- For installation in fiber optic front plates or for extending fiber optic jumper cables
- High quality plastic housing with keystone technicque
- Sleeve of the ferrule made of phosphor-bronze (PB)
- For Multimode fiber optic jumper cables
- Can be used with 19" Patch Panel Module frame (26.11.0357 or 26.11.0356)

- Can be used together with a Flush Mount Wall Jack for keystones, 2-port (25.16.8579) or with a Surface Wall Mount Frame (25.15.8484)

21.17.0051



21.17.0052



21.17.0053



21.17.0054



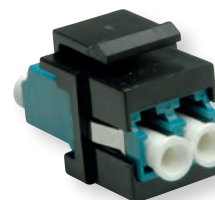
21.17.0055



21.17.0056



NEW



21.17.0057



21.17.0058



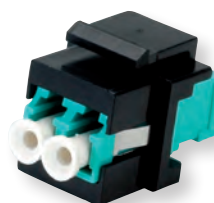
21.17.0059



21.17.0060



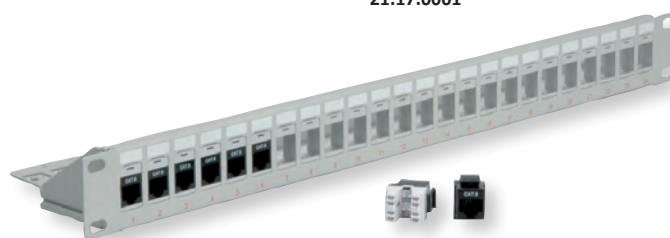
21.17.0002



21.17.0001

### Order-No. – P.U.

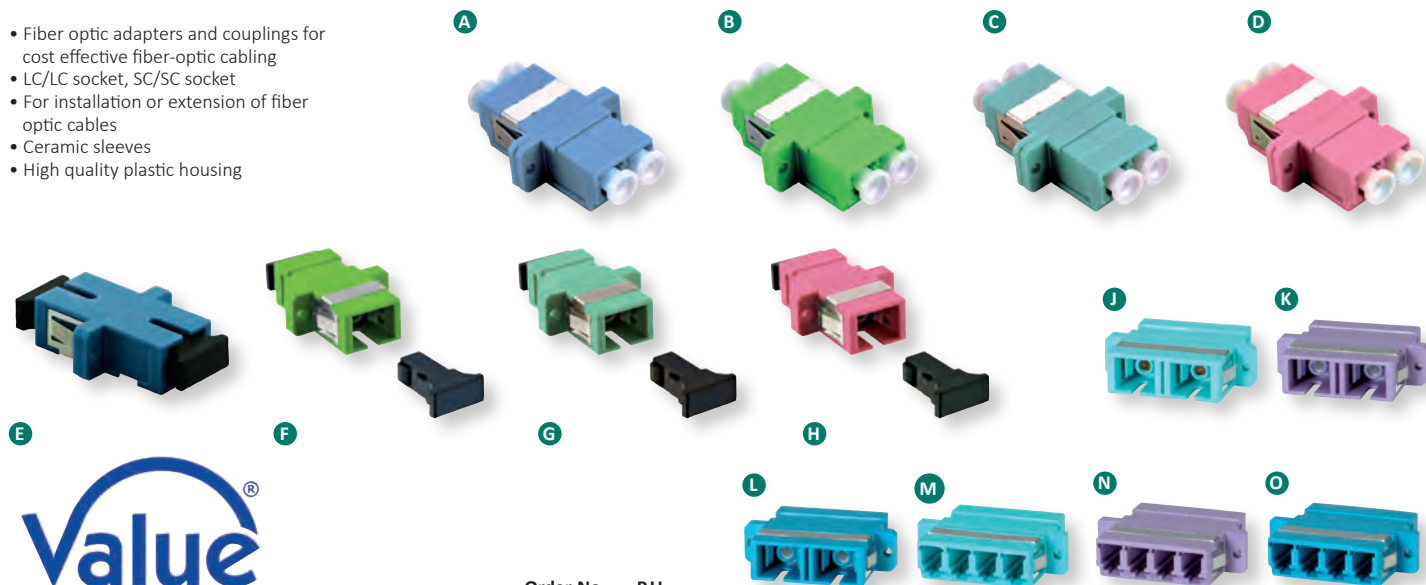
|  |                 |
|--|-----------------|
| ROLINE Fiber Optic Keystone Jack, SC Simplex, Singlemode, OS2        | 21.17.0051 – 20 |
| ROLINE Fiber Optic Keystone Jack, SC Simplex, Singlemode, OS2, APC   | 21.17.0052 – 20 |
| ROLINE Fiber Optic Keystone Jack, SC Simplex, Multimode, OM2         | 21.17.0053 – 20 |
| ROLINE Fiber Optic Keystone Jack, SC Simplex, Multimode, OM3         | 21.17.0054 – 20 |
| ROLINE Fiber Optic Keystone Jack, SC Simplex, Multimode, OM4         | 21.17.0055 – 20 |
| ROLINE Fiber Optic Keystone Jack, SC Simplex, Multimode, OM5         | 21.17.0056 – 20 |
| ROLINE Fiber Optic Keystone Jack, LC/LC Duplex, Multimode, OM3       | 21.17.0001 – 20 |
| ROLINE Fiber Optic Keystone Jack, LC/LC Duplex, Multimode, OM4       | 21.17.0002 – 20 |
| ROLINE Fiber Optic Keystone Jack, LC/LC Duplex, Singlemode, OS2      | 21.17.0057 – 20 |
| ROLINE Fiber Optic Keystone Jack, LC/LC Duplex, Singlemode, OS2, APC | 21.17.0058 – 20 |
| ROLINE Fiber Optic Keystone Jack, LC/LC Duplex, Multimode, OM2       | 21.17.0059 – 20 |
| ROLINE Fiber Optic Keystone Jack, LC/LC Duplex, Multimode, OM5       | 21.17.0060 – 20 |
| Keystone 19" Module frame Cat.5/Cat.6, 24 P., blank, UTP, light grey | 26.11.0356 – 5  |
| Keystone 19" Module frame Cat.5/Cat.6, 24 P., blank, UTP, black      | 26.11.0357 – 5  |
| Flush Mount Wall Outlet for Keystones, 2-port                        | 25.16.8579 – 20 |
| Surface Wall Mount Frame   | 25.16.8484 – 20 |



**roline**<sup>®</sup>  
Designed for Professionals

**VALUE Fibre Optic Adapters**

- Fiber optic adapters and couplings for cost effective fiber-optic cabling
- LC/LC socket, SC/SC socket
- For installation or extension of fiber optic cables
- Ceramic sleeves
- High quality plastic housing



|   | Order-No. – P.U.  |
|---|-------------------|
| VALUE Fibre Optic Adapter LC/LC Duplex, OS2       | A 21.99.0663 – 30 |
| VALUE Fibre Optic Adapter LC/LC Duplex, OS2, APC  | B 21.99.0664 – 30 |
| VALUE Fibre Optic Adapter LC/LC Duplex, OM3       | C 21.99.0665 – 30 |
| VALUE Fibre Optic Adapter LC/LC Duplex, OM4       | D 21.99.0666 – 30 |
| VALUE Fibre Optic Adapter SC/SC simplex, OS2      | E 21.99.0670 – 30 |
| VALUE Fibre Optic Adapter SC/SC simplex, OS2, APC | F 21.99.0671 – 30 |
| VALUE Fibre Optic Adapter SC/SC simplex, OM3      | G 21.99.0672 – 30 |
| VALUE Fibre Optic Adapter SC/SC simplex, OM4      | H 21.99.0673 – 30 |

|   | Order-No. – P.U.  |
|---|-------------------|
| VALUE Fibre Optic Adapter SC/SC Duplex, OM3, PB | J 21.99.0655 – 50 |
| VALUE Fibre Optic Adapter SC/SC Duplex, OM4, PB | K 21.99.0656 – 50 |
| VALUE Fibre Optic Adapter SC/SC Duplex, OS2, Z  | L 21.99.0657 – 50 |
| VALUE Fibre Optic Adapter LC quadruple, OM3, PB | M 21.99.0660 – 50 |
| VALUE Fibre Optic Adapter LC quadruple, OM4, PB | N 21.99.0661 – 50 |
| VALUE Fibre Optic Adapter LC quadruple, OS2, Z  | O 21.99.0662 – 50 |

**ROLINE Fibre Optic Adapters**

- Fiber optic adapters and couplings for the cost effective fiber-optic cabling
- For mounting in fiber optic faceplates or for the extension for fiber optic cables
- The guide sleeve for the ferrules are available for every type and version of phosphor bronze (PB) as well as a version of zirconium (Z)
- The version of zirconium ferrule is also suitable for single-mode

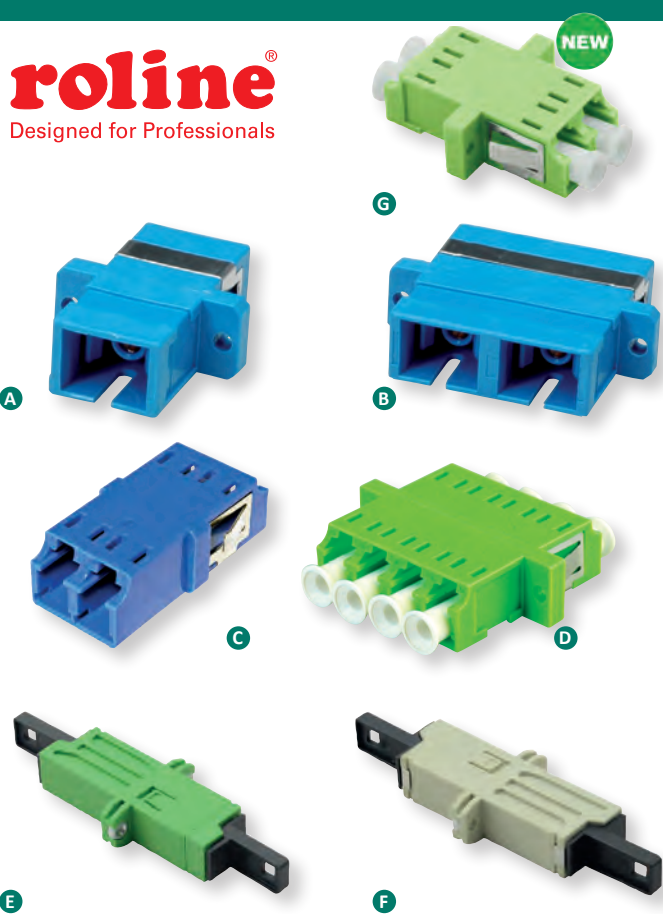
**21.17.0050 / 21.17.0049**

- 4x LC / 4x LC socket / 2x LC / 2x LC socket
- For installation or extension of fiber optic cables
- High quality plastic housing (green)
- Guide sleeves of the ferrule made of zirconium (Z)
- Suitable for multi-mode fiber optic cable
- Double / Quad LC coupling- fits in front panel cutouts for duplex SC

**21.17.0040 / 21.17.0041**

- LSH/LSH- socket
- To extend fiber optic cables
- Guide sleeves of the ferrule ceramic
- IL(typical) < 0.15dB / • RL(typical) > 60dB
- With nut and screw applicability

|  | Order-No. – P.U.  |
|--|-------------------|
| ROLINE Fibre Optic Adapter SC Simplex Multimode, PB        | A 21.17.0075 – 50 |
| ROLINE Fibre Optic Adapter SC Simplex Single-Mode, Z       | A 21.17.0071 – 50 |
| ROLINE Fibre Optic Adapter SC Duplex Multimode, PB         | B 21.17.0085 – 50 |
| ROLINE Fibre Optic Adapter SC Duplex Single-Mode, Z        | B 21.17.0081 – 50 |
| ROLINE Fibre Optic Adapter LC Duplex Single-Mode, Z        | C 21.17.0141 – 50 |
| Order-No. – P.U.   |                   |
| ROLINE Fibre Optic Adapter LC double, Multimode, OM5, Z    | G 21.17.0049 – 50 |
| ROLINE Fibre Optic Adapter LC quadruple, Multimode, OM5, Z | D 21.17.0050 – 50 |
| Order-No. – P.U.   |                   |
| ROLINE Fibre Optic Adapter, LSH, Flange, green             | E 21.17.0040 – 50 |
| ROLINE Fibre Optic Adapter, LSH, Flange, beige             | F 21.17.0041 – 50 |



## VALUE MPO (multi-fibre push-on) Cabling System



### MPO (multi-fibre push-on) cabling system

The MPO (multi-fibre push-on) cabling system is an easy-to-use solution based on a high density connector and ribbon-fiber cables with 12 cores. This system is commonly used in data centers but also e.g. between server rooms. It is designed for reliable and quick operations with the obvious benefits of less space requirements and improved scalability. The pre-terminated MPO cables can fan-out to other connections, usually to LC, to interconnect with standard-density products or services, using modules or fan-out cables.

#### Key Facts MPO

- Fully supports all optical fiber applications within the Ethernet family
- Modular solution with reusable modules and cables
- High-density cabling saves pathway space and gives improved airflow compared to traditional cable bundles
- Cables are pre-terminated in the factory to the correct length with high density connectivity

#### MPO components

MPO connectors contact usually 12 fibers in a single connection. A connection must be stable and its ends correctly aligned. These aspects are essential for achieving the required transmission parameters.

Therefore MPO connectors are available in a male version (with pins) or a female version (without pins). The pins ensure that the fronts of the connectors are exactly aligned on contact and that the end-faces of the fibers are not offset. Remark: all cables are halogen-free (LSOH). The connectors are low-loss connectors with a very low attenuation.

#### 1. Cables

MPO cables are delivered already terminated. That requires greater care in planning in advance but it has a number of advantages: short installation times, tested and guaranteed quality and great reliability.

#### Trunk cables:

Trunk cables serve as a permanent link connecting the MPO modules to each other. Trunk cables are available with 12 fibers. Their ends are terminated with 12-fiber MPO connectors female version (without pins).

#### Fan-Out cables:

Fan-Out cables are used for the connection of a MPO cable to standard-density connectors, usually to 12 LC connectors.

### Fiber optic - Cable OM4:

Please see the ROLINE Fiber optic jumper cable 50/125µm OM4 in our catalogue. The key point of each installation is to ensure the correct wiring from transceiver to receiver. In case of using a set of cassettes, trunkcables and duplex patchcords- you need to follow a certain guideline for the polarity method of the trunkcables. The case described in the graphic is according to the polarity A method, means the duplex fibre optic jumper cables MUST be CROSS connected on one side and STRAIGHT connected on the second side.

#### 2. Adapters

Adapters are used to connect two MPO connectors. They enforce that both keys are up. So the two connectors are connected while in the same position in relation to each other.

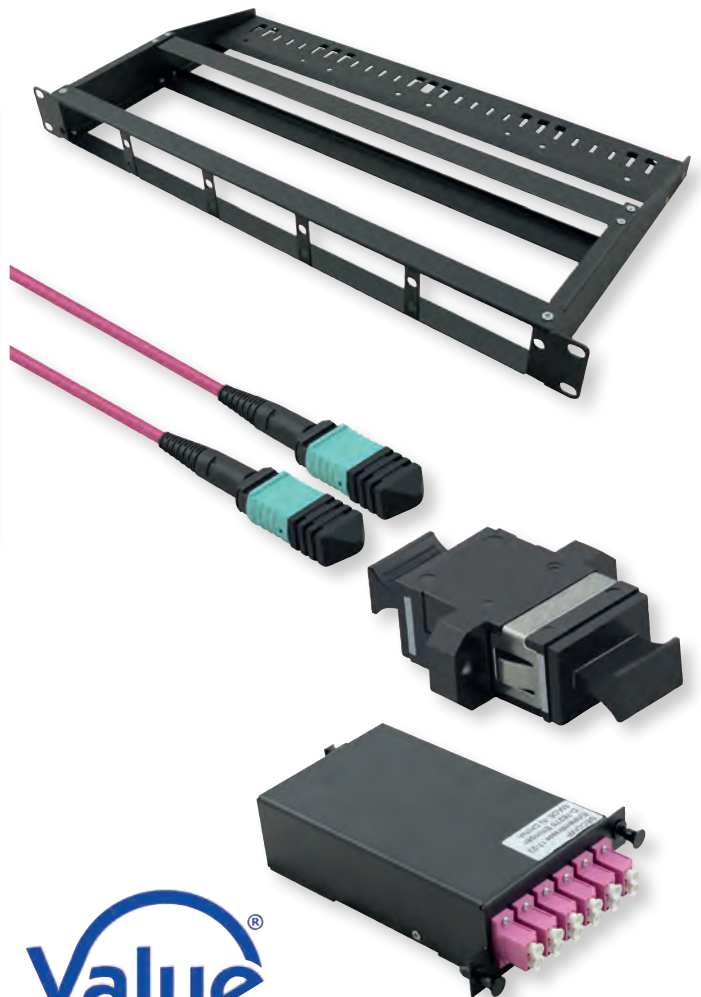
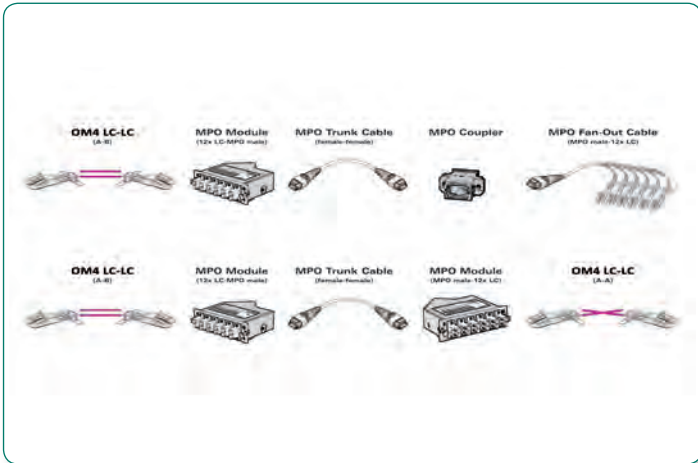
#### 3. Modules

Modules and adapter plates are what connect the permanent link to the standard-density patch cable.

The MPO module enables the user to take the fibers brought by a trunk cable and distribute them to a duplex cable. As already assembled units, the MPO modules are fitted with 12 fibers and have LC adapters on the front side and MPO at the rear. The modules can be built in panels to be installed in a 19" rack.

#### Connection rules

- When creating an MPO connection, always use one male connector and one female connector plus one MPO adapter.
- Never connect a male to a male or a female to a female. With a female-to-female connection, the fiber cores of the two connectors will not be at the exact same height because the guide pins are missing. That will lead to losses in performance. A male-to-male connection has even more disastrous results. There the guide pins hit against guide pins so no contact is established. This can also damage the connectors.
- Never dismantle an MPO connector. The pins are difficult to detach from an MPO connector and the fibers might break in the process.



#### Order-No. – P.U.

|  |            |      |
|--|------------|------|
| VALUE MPO Trunk Cable 50/125µm OM4, MPO/MPO, violet, 3.0 m   | 21.99.1101 | – 10 |
| VALUE MPO Trunk Cable 50/125µm OM4, MPO/MPO, violet, 5.0 m   | 21.99.1102 | – 10 |
| VALUE MPO Trunk Cable 50/125µm OM4, MPO/MPO, violet, 10.0 m  | 21.99.1103 | – 5  |
| VALUE MPO Trunk Cable 50/125µm OM4, MPO/MPO, violet, 15.0 m  | 21.99.1105 | – 5  |
| VALUE MPO Fan-Out Cable 50/125µm OM4, MPO/12x LC, violet, 2m | 21.99.1100 | – 10 |
| VALUE MPO/MPO Coupler  | 21.99.1106 | – 10 |
| VALUE MPO Module, MPO-Male /12x LC - Female                  | 21.99.1107 | – 5  |
| VALUE MPO Panel 19" for 3 Modules                            | 21.99.1108 | – 5  |



Product similar to picture / module includes MPO-Male /12x LC - Female



## VALUE 19" LCD KVM Consoles & Switches



The low-cost solution for professional Server Management.

### VALUE 19" consoles:

- The VALUE 19" LCD consoles combine the function of a keyboard, a touchpad and a TFT together in a 1 U casing for a 19" rack
- Easy to install, single rail design
- Supports USB keyboard and mouse, VGA
- For an installation depth of 63 cm
- Telescopic Slides

### Monitor data 43/48 cm

- Panel protected by tempered glass
- Active 43/48 cm matrix TFT display
- Screen ratio: 4:3
- Max. resolution (nominal): 1920 x 1080 Pixel

### Contents:

- Console, Power Cord, KVM Cable (1.8m, VGA HD15), USB Cable, Rack Mount Brackets, Mounting Accessories, Keys, Manual

### VALUE 19" KVM switches

- Additional to 19" LCD KVM Consoles
- Up to 8 PCs can be controlled with one keyboard, one mouse and one monitor
- Supports USB interface for connecting to PC ports conveniently
- No software required- easy PC selection via On Screen Display (OSD), push buttons, hot-keys
- Hot-pluggable- add or remove connected PCs without powering off the KVM switch or PCs
- Contents: switch, rails with mounting accessories, rack mount brackets, KVM cable (HDDB-15/VGA + 1x USB, 1.8m), power adapter, power cord, CD with manual, quick installation guide



|  | Order-No. – P.U. |
|--|------------------|
| VALUE 19" LCD KVM Console, 43 cm (17") TFT, VGA, USB, UK                         | 26.99.0120 – 1   |
| VALUE 19" LCD KVM Console, 43 cm (17") TFT, VGA, USB, German                     | 26.99.0121 – 1   |
| VALUE 19" LCD KVM Console, 43 cm (17") TFT, VGA, USB, Swiss                      | 26.99.0122 – 1   |
| VALUE 19" LCD KVM Console, 43 cm (17") TFT, VGA, USB, French                     | 26.99.0123 – 1   |
| VALUE 19" LCD KVM Console, 48 cm (19") TFT, VGA, USB, UK                         | 26.99.0130 – 1   |
| VALUE 19" LCD KVM Console, 48 cm (19") TFT, VGA, USB, German                     | 26.99.0131 – 1   |
| VALUE 19" LCD KVM Console, 48 cm (19") TFT, VGA, USB, Swiss                      | 26.99.0132 – 1   |
| VALUE 19" LCD KVM Console, 48 cm (19") TFT, VGA, USB, French                     | 26.99.0133 – 1   |
| VALUE 19" LCD KVM Switch 1 User - 8PCs, 43 cm (17") TFT (4:3), VGA, USB, UK      | 26.99.0160 – 1   |
| VALUE 19" LCD KVM Switch 1 User - 8PCs, 43 cm (17") TFT (4:3), VGA, USB, German  | 26.99.0161 – 1   |
| VALUE 19" LCD KVM Switch 1 User - 8PCs, 43 cm (17") TFT (4:3), VGA, USB, Swiss   | 26.99.0162 – 1   |
| VALUE 19" LCD KVM Switch 1 User - 8PCs, 43 cm (17") TFT (4:3), VGA, USB, French  | 26.99.0163 – 1   |
| VALUE 19" LCD KVM Switch 1 User - 8PCs, 48 cm (19") TFT (16:9), VGA, USB, UK     | 26.99.0190 – 1   |
| VALUE 19" LCD KVM Switch 1 User - 8PCs, 48 cm (19") TFT (16:9), VGA, USB, German | 26.99.0191 – 1   |
| VALUE 19" LCD KVM Switch 1 User - 8PCs, 48 cm (19") TFT (16:9), VGA, USB, Swiss  | 26.99.0192 – 1   |
| VALUE 19" LCD KVM Switch 1 User - 8PCs, 48 cm (19") TFT (16:9), VGA, USB, French | 26.99.0193 – 1   |



## VALUE Stand/Wall Mount Cabinets with Glass Front

- VALUE stand/wall mount cabinets for the installation of active and passive network components
- Toughened glass front with lock with rotary handle, the direction of opening the door can be changed according to the requirement, the opening degree of the door is more than 180°
- Quick open side door, convenient for equipment installation and maintaining
- One cable channel on the top and the other on the bottom
- 19" standard installation, installation depth can be adjusted according to the requirement
- Colour: black (RAL 7021)
- Remark: Delivery as an assembly set
- Maximum load capacity: 60kg
- Contents: Wall mount rack, grounding set, installation material

**Optional: for 19" accessories please see also pages 1.56 - 1.65**



**Order-No. – P.U.**

|  |                |
|--|----------------|
| VALUE 19" Wall Mount Rack 6U, 368x570x450mm (HxWxD)  | 26.99.0146 – 1 |
| VALUE 19" Wall Mount Rack 6U, 368x570x600mm (HxWxD)  | 26.99.0147 – 1 |
| VALUE 19" Wall Mount Rack 9U, 505x570x450mm (HxWxD)  | 26.99.0149 – 1 |
| VALUE 19" Wall Mount Rack 9U, 505x570x600mm (HxWxD)  | 26.99.0150 – 1 |
| VALUE 19" Wall Mount Rack 12U, 640x570x450mm (HxWxD) | 26.99.0151 – 1 |
| VALUE 19" Wall Mount Rack 12U, 640x570x600mm (HxWxD) | 26.99.0152 – 1 |
| VALUE 19" Wall Mount Rack 15U, 775x570x450mm (HxWxD) | 26.99.0154 – 1 |
| VALUE 19" Wall Mount Rack 15U, 775x570x600mm (HxWxD) | 26.99.0155 – 1 |
| VALUE 19" Wall Mount Rack 18U, 910x570x450mm (HxWxD) | 26.99.0157 – 1 |
| VALUE 19" Wall Mount Rack 18U, 910x570x600mm (HxWxD) | 26.99.0158 – 1 |



## VALUE Network / Server Cabinets 42U

DATA CENTER  
Product

### VALUE 19"-Cabinets, black, in 42 U, with two versions - as Server and as Cabling Cabinet

- Server Cabinet in BxT 800x1000mm with vented doors on front and back side
- Cabling Cabinet in BxT 800x800mm with a glass door on the front side and a back door in sheet steel
- Two pairs of 19"-profiles
- All doors are lockable with single point locking
- Both Cabinet versions have 4 castors as well as 4 adjustable feet
- Demountable side panels, convenient for installation and maintenance
- Top cover of Server Cabinet with cable entry opening possibility
- Top cover of Cabling Cabinet with cable entry opening possibility and with 4 cooling fans included
- All cabinets come with 3 fixed shelves and a pair of vertical cable management

**Optional: for 19" accessories please see also pages 1.56 - 1.65**

#### REMARK:

Please be aware that the cabinets are assembled.

To avoid damage during transport, a special care is needed.

The transport sizes are different (larger) to the mentioned dimensions in the description.

The transport has to be done in a vertical position!



**Order-No. – P.U.**

|  |                  |
|--|------------------|
| VALUE Network Cabinet 42U, 2000x800x800 mm | A 26.99.0810 – 1 |
| VALUE Server Cabinet 42U, 2000x800x1000 mm | B 26.99.0820 – 1 |



A



B





## Switchboxes / Hubs

# 2

|  |             |
|--|-------------|
| 19" KVM Switches . . . . .             | 2.02        |
| 19" LCD Consoles . . . . .             | 2.02        |
| 19" LCD KVM Switches . . . . .         | 2.02        |
| "Star" KVM Switches . . . . .          | 2.02- 2.03  |
| 19" Desktop KVM Switches . . . . .     | 2.03        |
| KVM HDMI Switches . . . . .            | 2.04        |
| KVM HDMI Switches / Extender . . . . . | 2.05 - 2.08 |
| Manual USB Switches . . . . .          | 2.09        |
| USB 2.0 / 3.2 Gen 1 / 2 Hubs . . . . . | 2.10 – 2.16 |



## VALUE 19" LCD KVM Consoles &amp; Switches



The low-cost solution for professional Server Management.

**VALUE 19" consoles:**

- The VALUE 19" LCD consoles combine the function of a keyboard, a touchpad and a TFT together in a 1 U casing for a 19" rack
- Easy to install, single rail design
- Supports USB keyboard and mouse, VGA
- For an installation depth of 63 cm
- Telescopic Slides

**Monitor data 43/48 cm**

- Panel protected by tempered glass
- Active 43/48 cm matrix TFT display
- Screen ratio: 4:3
- Max. resolution (nominal): 1920 x 1080 Pixel

**Contents:**

Console, Power Cord, KVM Cable (1.8m, VGA HD15), USB Cable, Rack Mount Brackets, Mounting Accessories, Keys, Manual

**VALUE 19" KVM switches**

- Additional to 19" LCD KVM Consoles
- Up to 8 PCs can be controlled with one keyboard, one mouse and one monitor
- Supports USB interface for connecting to PC ports conveniently
- No software required- easy PC selection via On Screen Display (OSD), push buttons, hot-keys
- Hot-pluggable- add or remove connected PCs without powering off the KVM switch or PCs
- Contents: switch, rails with mounting accessories, rack mount brackets, KVM cable (HDDB-15/VGA + 1x USB, 1.8m), power adapter, power cord, CD with manual, quick installation guide



|  | Order-No. – P.U. |
|--|------------------|
| VALUE 19" LCD KVM Console, 43 cm (17") TFT, VGA, USB, UK                         | 26.99.0120 – 1   |
| VALUE 19" LCD KVM Console, 43 cm (17") TFT, VGA, USB, German                     | 26.99.0121 – 1   |
| VALUE 19" LCD KVM Console, 43 cm (17") TFT, VGA, USB, Swiss                      | 26.99.0122 – 1   |
| VALUE 19" LCD KVM Console, 43 cm (17") TFT, VGA, USB, French                     | 26.99.0123 – 1   |
| VALUE 19" LCD KVM Console, 48 cm (19") TFT, VGA, USB, UK                         | 26.99.0130 – 1   |
| VALUE 19" LCD KVM Console, 48 cm (19") TFT, VGA, USB, German                     | 26.99.0131 – 1   |
| VALUE 19" LCD KVM Console, 48 cm (19") TFT, VGA, USB, Swiss                      | 26.99.0132 – 1   |
| VALUE 19" LCD KVM Console, 48 cm (19") TFT, VGA, USB, French                     | 26.99.0133 – 1   |
| VALUE 19" LCD KVM Switch 1 User - 8PCs, 43 cm (17") TFT (4:3), VGA, USB, UK      | 26.99.0160 – 1   |
| VALUE 19" LCD KVM Switch 1 User - 8PCs, 43 cm (17") TFT (4:3), VGA, USB, German  | 26.99.0161 – 1   |
| VALUE 19" LCD KVM Switch 1 User - 8PCs, 43 cm (17") TFT (4:3), VGA, USB, Swiss   | 26.99.0162 – 1   |
| VALUE 19" LCD KVM Switch 1 User - 8PCs, 43 cm (17") TFT (4:3), VGA, USB, French  | 26.99.0163 – 1   |
| VALUE 19" LCD KVM Switch 1 User - 8PCs, 48 cm (19") TFT (16:9), VGA, USB, UK     | 26.99.0190 – 1   |
| VALUE 19" LCD KVM Switch 1 User - 8PCs, 48 cm (19") TFT (16:9), VGA, USB, German | 26.99.0191 – 1   |
| VALUE 19" LCD KVM Switch 1 User - 8PCs, 48 cm (19") TFT (16:9), VGA, USB, Swiss  | 26.99.0192 – 1   |
| VALUE 19" LCD KVM Switch 1 User - 8PCs, 48 cm (19") TFT (16:9), VGA, USB, French | 26.99.0193 – 1   |

**VALUE KVM Switch „Star“ 1 User - 2 PCs, VGA, USB**

- Two PCs can be handled with one monitor, one keyboard and one mouse
- Console side Connector: 1x HD15 F, 2x USB Type A
- Switching can be done by several ways:
  - Hot keys (keyboard combination)
  - Manual switching with direct-access port selectors on top of the switch

**Technical Data:** 14.99.3261  
 Monitor connection: 1x HD15 F  
 Keyboard connection: 1x USB Type A F\*  
 Mouse connection: 1x USB Type A F\*

PC monitor connection: 2x HD15 M\*  
 PC keyboard connection\*: 1x USB Type A F\*  
 PC mouse connection\*: 1x USB Type A F\*  
 PC mouse and keyboard\*: -  
 Max. resolution (nominal): 1024 x 768  
 Casing: Plastic

\*attached moulded Cables

- Max. resolution: 1920 x 1200 @ 75Hz
- LEDs for easy status monitoring
- USB bus powered
- No firmware or drivers required for Windows
- Contents: Switch with integrated KVM cables (each 1.15 m), HD15 M, USB Type A, manual



Order-No. – P.U.

VALUE KVM Switch „Star“ 1 User - 2 PCs, VGA, USB

14.99.3261 – 5

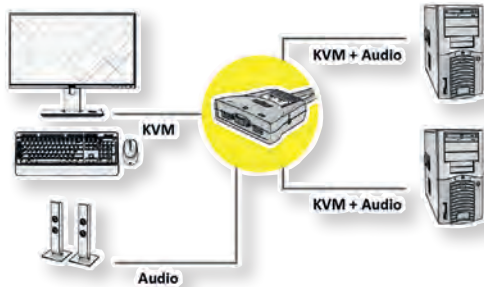
## ROLINE KVM Switch „Star“ 1 User - 2 PCs, Audio, USB

### One USB keyboard, USB mouse and VGA monitor controls two computers

- Automatic KVM-Switch with attached moulded cables
- Computer selection via hot key
- Easy to install, no software required
- Keyboard, mouse and monitor emulation

- Audio (speaker) enabled
- LEDs for easy status monitoring
- No power supply needed
- Contents: Switch with 2 integrated KVM cables (each 1.1 m)
- Contents: Switch, manual

|                                 |                       |
|---------------------------------|-----------------------|
| <b>Technical data:</b>          | <b>14.01.3234</b>     |
| PC Monitor connection:          | 1x VGA                |
| PC Keyboard / Mouse connection: | 2x USB Type A         |
| Audio connection:               | 2x 3.5 mm stereo plug |
| Keyboard/mouse emulation:       | yes                   |
| Max. resolution (nominal):      | 1920 x 1080           |



**roline**  
Designed for Professionals



Order-No. – P.U.

ROLINE KVM Switch „Star“ 1 User - 2 PCs, Audio, USB

14.01.3234 – 3

## VALUE KVM Switch „Star“, 1 User - 2 PCs, HDMI, USB

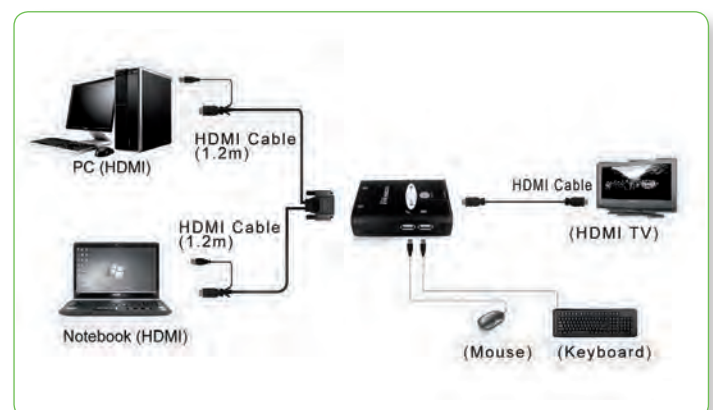
This 2-port USB KVM Star switch employs HDMI display technology for use with high definition digital monitors and HDTVs.

- Controls 2 computers from a single USB console (keyboard/mouse)
- Easy switching by push buttons or hot keys from USB keyboard
- Supports Auto-Scan function
- Max. resolution (nominal): 1920 x 1200
- Connectors console side: 1x HDMI, 2x USB (keyboard, mouse)
- Connectors computer side: 1x HDMI, 1x USB (keyboard/mouse)
- LEDs for PC and audio status monitoring
- Hot-swapping and plug & play
- Self powered through USB connection
- Contents: Switch with KVM cables (each 1.2 m), manual

**Value**

### Technical data:

|                               |                 |
|-------------------------------|-----------------|
| Monitor connection:           | 1x HDVideo F    |
| Keyboard connection:          | 1x USB Type A F |
| Mouse connection:             | 1x USB Type A F |
| PC monitor connection:        | 2x HDVideo F    |
| PC keyboard/mouse connection: | 2x USB Type A M |
| Max. resolution (nominal):    | 1920 x 1200     |
| Dimensions:                   | 65 x 85 x 25 mm |
| Weight:                       | 330 g           |



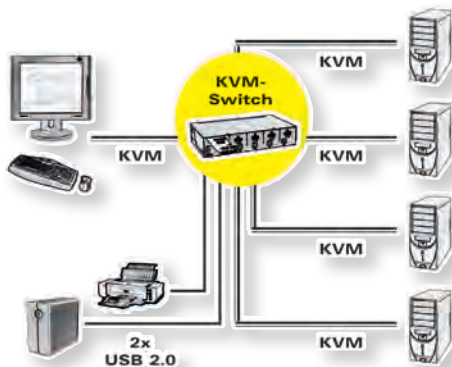
Order-No. – P.U.

VALUE KVM Switch „Star“, 1 User - 2 PCs, HDMI, USB

14.99.3250 – 6

## ROLINE KVM Switch, 1 User - 2/4 PCs, DisplayPort, with USB Hub

- Control 2/4 computers from a single USB console (DisplayPort monitor, USB mouse and keyboard)
- Supports DisplayPort with a resolution up to 2560 x 1600
- Integrated 2-port USB 2.0 hub allows 2/4 computers to share a USB device
- Front panel push button or hot-key function for easy computer selection
- No software required
- Supports Windows
- Contents: KVM switch, power supply, manual



**roline**<sup>®</sup>  
Designed for Professionals



Order-No. – P.U.

ROLINE KVM Switch, 1 User - 2 PCs, DisplayPort, with USB Hub 14.01.3327 – 4

ROLINE KVM Switch, 1 User - 4 PCs, DisplayPort, with USB Hub 14.01.3329 – 1

### Technical data:

|                               | 14.01.3327       | 14.01.3329        |
|-------------------------------|------------------|-------------------|
| Monitor connection:           | 1x DP F          | 1x DP F           |
| Keyboard/mouse connection:    | 2x USB type B F  | 2x USB type B F   |
| PC monitor connection:        | 2x DP F          | 4x DP F           |
| PC keyboard/mouse connection: | 2x USB type B F  | 4x USB type B F   |
| Dimensions (WxDxH):           | 40 x 125 x 70 mm | 44 x 220 x 130 mm |
| Max. resolution (nominal)     | 1920 x 1200      | 1920 x 1200       |
| Dimensions (HxWxD)            | 40 x 125 x 70 mm | 44 x 220 x 130 mm |

## ROLINE KVM Switch, 2 PCs, HDMI 4K, USB



3D  
capable

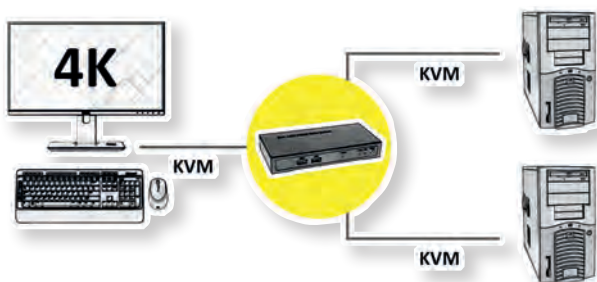
4K

2160p  
UHD-1

**2-Port HDMI KVM Switch to control two computers with only one mouse, one keyboard and one screen - with a resolution of up to 3840x2160 @60Hz!**

With this very small KVM switch two computers can be operated with a USB mouse, a USB keyboard and a monitor.

- Switching between the PCs is done via Hot Key on the keyboard or via Select Button on the KVM.
- LED display informs about the channel assignment
- Max. Resolution: 3840x2160 @60Hz
- Non-slip rubber feet and solid metal housing
- Contents: KVM Switch, power supply unit, operating instructions



**roline**<sup>®</sup>  
Designed for Professionals

Order-No. – P.U.

ROLINE KVM Switch, 2 PCs, HDMI 4K, USB 14.01.3426 – 5



## ROLINE KVM Switch, 2x PCs, HDMI 4K, USB C

4K 2160p  
UHD-1

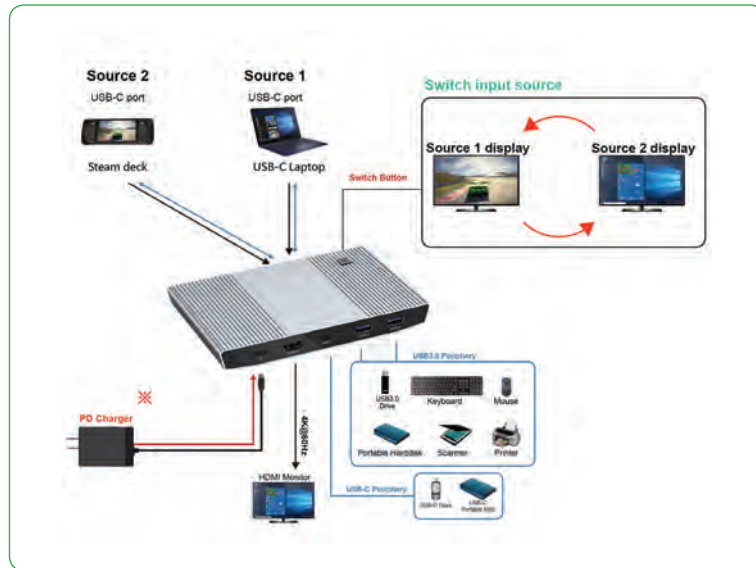
NEW

**2-Port HDMI KVM Switch to control two computers with only one mouse, one keyboard and one screen - with a resolution of up to 3840x2160 @60Hz!**

With this very small KVM switch two computers can be operated with a USB mouse, a USB keyboard and a HDMI monitor.

- Switching between the PCs is done via Hot Key on the keyboard or via Select Button on the KVM.
- LED display informs about the channel assignment

- Max. Resolution: 3840x2160 @60Hz
- Non-slip rubber feet and solid metal housing
- Supports Windows 2000 / XP / Vista / 7 / 8 / 10
- Contents: KVM Switch, power supply unit, operating instructions



**roline**<sup>®</sup>  
Designed for Professionals

Order-No. – P.U.

ROLINE KVM Switch, 1x User - 2x PCs, HDMI 4K, USB

14.01.3427 – 4

## ROLINE Smart KVM Extender, VGA, USB

**Smart combination of KVM Extender, KVM Switch and PC Share**

- Remotely locates the keyboard, mouse and monitor up to 150 m away from a computer
- Connection of the Computer Unit and Station Unit via Cat. 5e TP cable
- Supports USB consoles
- Video compensation can be adjusted by hot key to ensure the optimum signal quality for any length of cable within the limit
- Locates the computer away from your desk and work area, saving you valuable space
- Allows two users to share one computer both in local and remote areas
- Beeps confirmation for key control makes the operation easier and cross-checked
- Easy installation
- Supports standard USB keyboards and mice
- Compatible with XGA, VGA and SVGA system
- Contents: Local unit with power supply unit, remote unit, manual

**Example of use:** ROLINE KVM extension for remote operation of a workplace. The system provides a local, and a remote unit to connect another console. This can be operated via a Cat5 cable with remote VGA and USB control unit. Up to 150 m away from the PC, the console can be placed in convenient access while the PC is installed themselves in a safe environment.



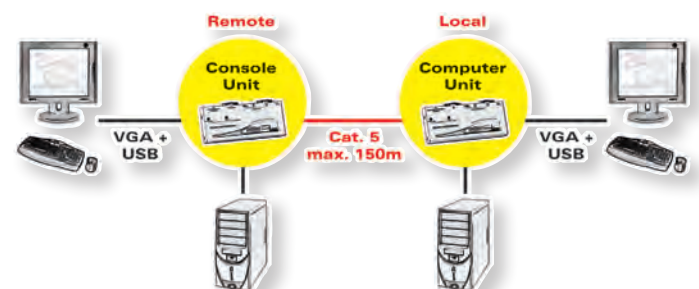
**roline**<sup>®</sup>  
Designed for Professionals

|                              |                   |                                 |
|------------------------------|-------------------|---------------------------------|
| <b>Technical Data:</b>       | <b>14.01.3249</b> |                                 |
| Max resolution (nominal):    | 1024 x 768        | (depends on cable length)       |
| Cable type:                  | Cat.5e TP cable   | (recommended: solid wire AWG24) |
| Cable length:                | up 150 m          |                                 |
| Power supply for local unit: | 9V DC, 600mA      |                                 |
| Dimensions (each WxDxH):     | 156 x 65 x 20 mm  |                                 |
| Connections:                 | <b>Local Unit</b> | <b>Remote Unit</b>              |
| Monitor:                     | 1x HD15 F         | 1x HD15 F                       |
| Mouse/keyboard:              | 1x USB F          | 1x USB F                        |
| PC connection:               | 1x SPHD15 F       | 1x SPHD15 F                     |

Order-No. – P.U.

ROLINE Smart KVM Extender, VGA, USB

14.01.3249 – 6



## VALUE KVM Extender over Cat.5e/6, HDMI, max. 70m

1080p  
FULL HD

## KVM extension over up to 70 m through the Cat.5e/6 connection

- Supports HDMI with high resolution video up to 1920 x 1080 (Full HD)
- Supports USB PC or KVM switch
- Ideal for professional video applications
- HDCP-compliant
- No drivers needed or software required
- Stable, metal housing
- Power supplied
- Receiver (RX) unit connectors: Monitor: 1x HDMI; 1x RJ-45 jack, 1x USB type A jack, 1x 3.5mm audio jack
- Transmitter (TX) unit connectors: Monitor: 2x HDMI; 1x RJ-45 jack, 1x USB type A jack
- Contents: Transmitter unit, receiver unit, 1x power supply, manual



Order-No. – P.U.

VALUE KVM Extender over Cat.5e/6, HDMI, max. 70m

14.99.3042 – 2

## VALUE KVM Extender over Cat.6, HDMI, 4x USB

1080p  
FULL HD

## KVM extension over up to 60 m through the Cat.6 connection

- Supports HDMI with high resolution video up to 1920 x 1080 (Full HD)
- Supports USB PC or KVM switch
- Ideal for professional video applications
- HDCP-compliant
- No drivers needed or software required
- Stable, metal housing
- Power supplied
- Receiver (RX) unit connectors: Monitor: 1x HDMI; 4x USB type A F; 1x Mini USB 5-pin F, 2x RJ45
- Transmitter (TX) unit connectors: Monitor: 1x HDMI; 2x Mini USB 5-pin F; 2x RJ45
- Contents: Transmitter unit, receiver unit, 2x power supply, manual



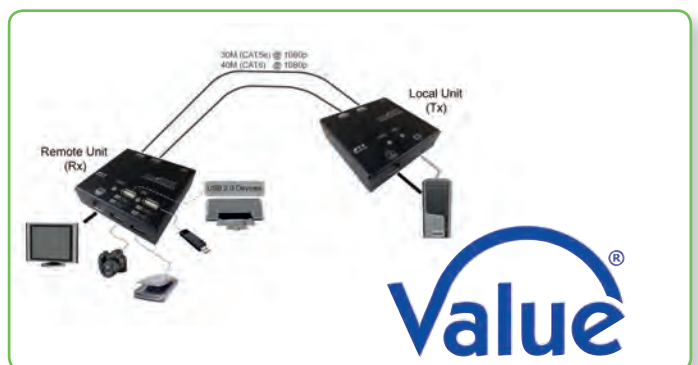
|                            |                                       |
|----------------------------|---------------------------------------|
| <b>Technical data:</b>     | <b>14.99.3041</b>                     |
| Cable length (nominal):    | up to 60 m                            |
| Max. resolution (nominal): | 1920 x 1080 (depends on cable length) |
| Cable type:                | Cat.6 TP cable                        |
| Power supply:              | 5VDC; 1A                              |
| Dimensions (HxWxD):        | 22 x 84 x 78 mm                       |

|                     |                               |                                 |
|---------------------|-------------------------------|---------------------------------|
| <b>Connectors:</b>  | <b>Receiver (remote unit)</b> | <b>Transmitter (local unit)</b> |
| Monitor:            | 1x HDMI F                     | 1x HDMI F                       |
| Peripheral devices: | 4x USB Type A F               | 1x USB Mini 5-pin F             |

Order-No. – P.U.

VALUE KVM Extender over Cat.6, HDMI, 4x USB, 60 m

14.99.3041 – 4



## VALUE KVM Extender over Cat.6/6A, HDMI, max. 120m

NEW

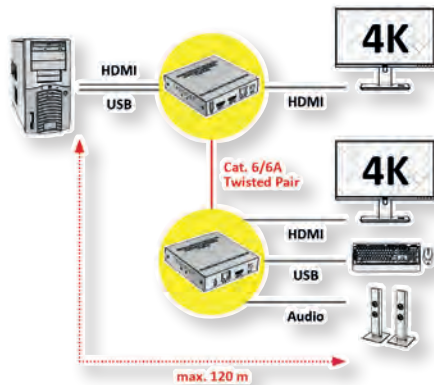
4K

2160p  
UHD-1

This product is a 4K@60Hz HDMI KVM extender kit consisting of a transmitter and a receiver, using ipcolor STREAM technology for high-definition, low-latency transmission. Supports HDMI loop out, KVM, and RS-232 passthrough, and can be used in meetings, home entertainment, educational presentations, etc...

- Adopting ipcolor STREAM technology you can realize high-definition and low-latency transmission
- Support up to 3840 x 2160@60Hz resolution, backwards compatible
- Transmission distance up to 120 meters, with Cat.6/6A or above network cables
- Support one-to-one or one-to-many connections through the gigabit switch
- Support RS-232 passthrough
- The transmitter supports HDMI loop out
- Support KVM control signal passback
- The transmitter has a 3.5 mm audio input for sound embedding, the receiver has an independent 3.5 mm audio output
- Stable, metal housing

- Power supplied
- Receiver (RX) unit connectors: 1x HDMI; 1x RJ-45 jack, 2x USB A F, 1x USB Micro B F, 1x 3.5mm audio jack
- Transmitter (TX) unit connectors: 2x HDMI; 1x RJ-45 jack, 1x USB A F, 1x USB Micro B F, 1x 3.5mm audio jack



Order-No. – P.U.

VALUE KVM Extender over Cat.6/6A, HDMI, max. 120m

14.99.3044 – 1

## VALUE KVM Extender over Cat.6/6A, HDMI 4K30, max. 40m

NEW

4K

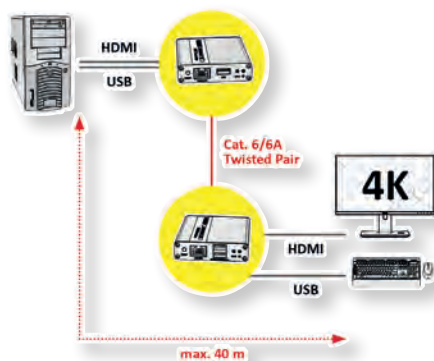
1080p  
FULL HD

This HDMI KVM Extender includes a transmitter and a receiver and allows the HDMI signal to be transmitted up to 70 meters at 1080p resolution using Cat6/6A network cables. Suitable for outdoor advertising, monitor system, home entertainment, conferences, etc.

**KVM extension over up to 40 m through the Cat.6/6A connection (4K30Hz)**

- Zero latency
- Point-to-point connection configuration
- Support up to 4K@30Hz resolution
- Support 1080p@60Hz transmission distance up to 70m, 4K@30Hz up to 40m, by using Cat.6/6A network cables
- Support KVM functionality
- Support HDR10
- Support PoC network cable power supply, only TX power supply is needed
- Automatically adjusts parameters to match different network cables and achieve the best display performance

- Plug & Play
- Receiver (RX) unit connectors: 1x HDMI; 1x RJ-45 jack, 2x USB A F
- Transmitter (TX) unit connectors: 1x HDMI; 1x RJ-45 jack, 1x USB A F
- Contents: Transmitter unit, receiver unit, power supply, manual



Order-No. – P.U.

VALUE KVM Extender over Cat.6/6A, HDMI 4K30, max. 40m

14.99.3043 – 4



## ROLINE KVM Extender over Fiber Optic (< 20km), HDMI 4K, USB

NEW

4K

2160p  
UHD-1

### HDMI extender via fiber optic with KVM functionality up to 20km!

- Areas of application: Security control, multimedia teaching, HDMI signal extension
- Max. Resolution: 3840x2160 @60Hz
- Supports 3.5 mm audio connection
- IR signal transmission
- SFP modules (Single Mode Fiber) included (transmitter/receiver)
- Comply with SFP MSA and SFF-8472 standard protocol
- Solid metal housing
- Supports Windows 2000 / XP / Vista / 7 / 8 / 10
- Contents: HDMI Extender (TX+RX), power supply unit (2x 12VDC/2A), 2x IR cables, 2x SFP modules (Single Mode), operating instructions



#### CONNECTION DIAGRAM:



Order-No. – P.U.

ROLINE KVM Extender over Fiber Optic, HDMI 4K, USB

14.01.3363 – 1

**roline**<sup>®</sup>  
Designed for Professionals

## ROLINE Dual Head KVM Switch, 1 User - 2 PCs, DP/HDMI, Audio

NEW

The 2-Port 4K Dual Head HDMI/DP KVM Switch allows the control of two computers with 4K dual HDMI video output via a single console set of USB keyboard/mouse/hub, microphone, speaker and display.

Has built-in USB 2.0 compliant and 3.5mm mini stereo ports, which allows the sharing of USB keyboard/mouse/hub, speaker and microphone among the connected computers.

- Support video resolution up to Ultra HD 4K/ 60Hz, 3840x2160@60Hz 4:4:4
- One USB console controls two PC sources
- Support Dual-monitor, DisplayPort-in / HDMI-in ( PC side) and HDMI-out (Console side)
- Displayport 1.2 and HDCP 2.2 compliant
- Human Interface Devices (HID) x 2 for Keyboard/Mouse, and USB 2.0 Hub x 2 for peripherals sharing
- Audio/Microphone enabled
- Selection switching ways: pushbutton and keyboard hotkeys
- LED status
- Instant switching interval
- No software needed
- Easy to install - no software required
- Hot-pluggable
- Supported Operating Systems: Windows, Mac

#### Console Port:

- 2x HDMI female for video output
- 2x USB Type A female for HID devices
- 2x USB Type A female for USB2.0 hub
- 2x 3.5-mm audio phone jack

#### PC Port:

- 2x HDMI female for video input
- 2x DisplayPort female for video input
- 2x USB Type B female
- 4x 3.5-mm audio phone jack

#### Other: 2.1-mm barrel plug for power

- Contents: Switch, power supply, manual



**roline**<sup>®</sup>  
Designed for Professionals

Order-No. – P.U.

ROLINE Dual Head KVM Switch, 1 User - 2 PCs, DP/HDMI, Audio

14.01.3047 – 1

## VALUE Manual USB 2.0 Printer Switches

- This USB Switch offers the possibility for 2 PCs to share a single USB device such as a printer, scanner or digital camera
- Access to the USB device manually via button on the switch
- Supports USB 2.0
- Two LEDs indicate the active Port
- Bus-powered mode

• Contents: USB Switch

|                              |                   |                   |
|------------------------------|-------------------|-------------------|
| <b>Technical information</b> | <b>14.99.5032</b> | <b>14.99.5034</b> |
| Input connections            | 2x USB Type B     | 4x USB Type B     |
| Output connections           | 1x USB Type A     | 1x USB Type A     |
| Dimensions (HxWxD)           | 90 x 70 x 25 mm   | 90 x 70 x 25 mm   |



**Value**<sup>®</sup>

Order-No. – P.U.

|  |                 |
|--|-----------------|
| VALUE Manual USB 2.0 Printer Switch, 2 Ports | 14.99.5032 – 10 |
| VALUE Manual USB 2.0 Printer Switch, 4 Ports | 14.99.5034 – 10 |

## VALUE Manual USB 3.2 Gen 1 Switch

### Manual USB 3.0 / USB 3.2 Gen 1 switch to access a USB device from different computers

- To use a peripheral device such as a printer/scanner on two PCs without using a print server
- Also suitable for SSDs, USB sticks or other data carriers
- Supports USB 3.0 / USB 3.2 Gen 1 and therefore data transfer rates of up to 5Gbps
- The assignment of the PC to the device is done by a switch on the device.
- No additional power supply required
- Contents: Switch, manual



**Value**<sup>®</sup>

Order-No. – P.U.

|  |                 |
|--|-----------------|
| VALUE Manual USB 3.2 Gen 1 Switch, 2 Ports | 14.99.2015 – 10 |
|--|-----------------|

## ROLINE USB 3.2 Gen 1 Peripheral Sharing Device, 4x USB 3.2 Gen 1 Ports



### Manual USB 3.0 / USB 3.2 Gen 1 switch to access four different USB devices from different computers

- Enables 4 computers to share 4 USB 3.0 devices
- Simple port selection via remote port selector for a convenient switch placement
- USB 3.0 / USB 3.2 Gen 1 compliant, supp. data transfer rates of up to 5Gbps
- Backwards compatible with USB 2.0 and USB 1.1
- LEDs indicates which computer is active
- Over-current protection
- Multiplatform support – Windows (Vista/7/8/8.1/10) and Mac OS X 10.3+
- Bus-powered
- Micro USB power jack for additional power supply
- Hot pluggable, no additional driver or software required
- Contents:
  - Switch, 4x USB 3.0 cables (Type A/B, 1.1m),
  - 1x remote port selector, manual



**roline**<sup>®</sup>  
Designed for Professionals

Order-No. – P.U.

**Technical information**  
Input connections  
Output connections

|  |                |   |
|--|----------------|---|
| ROLINE USB 3.2 Gen 1 Sharing Device, 4 PCs, 4x USB 3.2 Gen 1 Ports | 14.01.2314 – 3 | <b>14.01.2314</b><br>4x USB Type B<br>4x USB Type A |
|--|----------------|---|

## VALUE USB 2.0 Notebook Hub, 4 Ports



- This hub can connect up to four USB devices
- Compact and nice design with attached USB cable
- Fully backwards compatible with USB 1.1
- Automatically switches to the highest speed supported by the connected device
- LED display for power and port-status
- Power is supplied by PC interface
- Contents: Hub, attached USB cable (3 cm)

**Value**

**Technical data:**

|                                |                                |
|--------------------------------|--------------------------------|
| PC connection:                 | 1x USB type A (attached cable) |
| Input:                         | 4x USB type A                  |
| Dimensions (WxDxH):            | 90 x 44 x 14 mm                |
| Power supply (for 14.99.5016): | 5 VDC, 2 A                     |

480Mbit/s



Order-No. – P.U.

VALUE USB 2.0 Notebook Hub, 4 Ports

14.99.5015 – 20

## ROLINE USB 2.0 Notebook Hub, Type A+C Connection Cable

**4-Port USB 2.0 Notebook Hub with Type A+C connection cable for data and power supply.**

- This hub can connect up to four USB devices via USB type A or C
- Compact and nice design with attached USB cable
- Fully backwards compatible with USB 1.1
- Automatically switches to the highest speed supported by the connected device

- LED display for power
- Power is supplied by PC interface or main adapter (A or C port)
- Contents: Hub, attached USB cable (30 cm Type A)



480Mbit/s

**roline**  
Designed for Professionals

Order-No. – P.U.

ROLINE USB 2.0 Notebook Hub, 4 Ports, Type A+C Connection Cable 14.02.5037 – 10

## ROLINE USB Hubs „Black and White“



- These hubs allow you to connect up to 4 USB peripheral devices to your computer or notebook over one USB port
- Stylish „Black and White“ design and compact size
- USB 2.0, compatible with USB 1.1
- Power LED
- Plug & play
- Bus-power and self-power mode (power supply included)
- **Contents:** Hub, power supply, USB 2.0 cable, manual

|                     |                       |                  |
|---------------------|-----------------------|------------------|
| Technical data:     | 14.02.5013            | 14.02.5027       |
| PC connection:      | 1x USB 2.0 5-Pin Mini | 1x USB 3 Type B  |
| Input:              | 4x USB 2.0 Type A     | 4x USB 3 Type A  |
| Dimensions (WxDxH): | 18 x 65 x 40 mm       | 23 x 100 x 63 mm |

480Mbit/s

5 Gbit/s



Order-No. – P.U.

ROLINE USB 2.0 Hub „Black and White“, 4 Ports, with Power Supply A 14.02.5013 – 20

ROLINE USB 3.2 Gen 1 Hub „Black &amp; White“, 4 Ports, with Power Supply B 14.02.5027 – 10



## ROLINE USB 2.0 Hub, with Repeater

480Mbit/s

**This hub with an active repeater cable extends the distance between the hub and the computer up to 12 m.**

- Active extension of USB 2.0 bus
- The extension acts like a USB hub with 12 m cable
- Full compliance with USB 2.0, USB 1.1
- Plug & play, no additional drivers required
- Power over USB port from the PC

- Additional extension: With its unique design, this hub can lock to USB 2.0 active repeater cable 12.04.1086 by clipping - which offers another 12 m of length. With up to 5 of this hub & repeater cables chained together, you can reach a maximum distance of up to 60 m. The active repeater cable 12.04.1086 is only compatible with 12.04.1085 and can't be separately used.

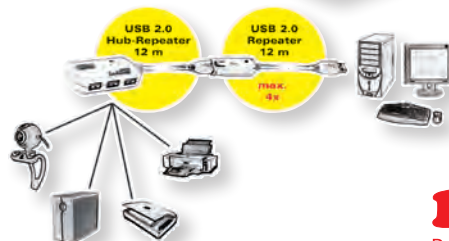
**Technical information**

|                                 |                      |               |
|---------------------------------|----------------------|---------------|
|                                 | 12.04.1085           | 12.04.1086    |
| Side A connection (PC)          | 1x USB Type A Male   | Type A Male   |
| Side B connection (Peripherals) | 4x USB Type A Female | Type A Female |
| Length                          | 12 m                 | 12 m          |

Order-No. – P.U.

ROLINE USB 2.0 Hub, 4 Ports, with Repeater, 12,0 m 12.04.1085 – 10

ROLINE USB 2.0 Active Repeater Cable for 12.04.1085, 12,0 m 12.04.1086 – 10



**roline**  
Designed for Professionals



## VALUE USB 3.2 Gen 1 Desktop Hubs

5 Gbit/s

These hubs can connect up to seven USB devices with SuperSpeed

- 7x USB 3.2 Gen 1 Type A SuperSpeed ports
- Data transfer rates of up to 5.0 Gbit/s
- Fully backwards compatible with USB 2.0
- Hot-swappable
- Battery charger function
- Dimensions (HxWxD): 15 x 85 x 59 mm
- Power supply (5V, 2A/4A) included
- Colour: Black
- Contents: Hub, power supply, USB cable (1.1 m), manual

|                     |                       |
|---------------------|-----------------------|
| Technical data:     | 14.99.5047            |
| PC connection:      | 1x USB 3 Micro Type B |
| Input:              | 7x USB 3 Type A       |
| Dimensions (HxWxD): | 15 x 85 x 59 mm       |
| Power supply:       | 5V 4A                 |

Order-No. – P.U.

VALUE USB 3.2 Gen 1 Desktop Hub, 7 Ports, with Power Supply 14.99.5047 – 5



## VALUE USB 3.2 Gen1 Hub, 4 Ports (2x A + 2x C), with Extension Cable, 3m / 5m / 10m

5 Gbit/s

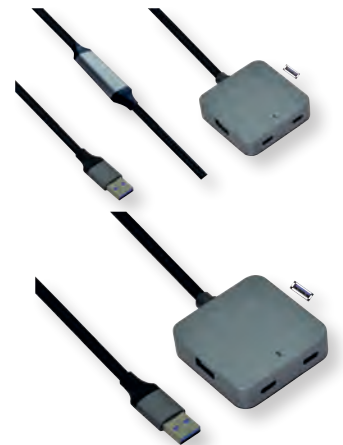
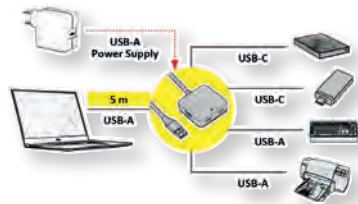
The handy hub with up to 5m/10m long USB connection cable allows the connection of up to four USB peripherals at a greater distance from the PC. This makes the user almost independent of the location of the devices to be connected (e.g. printer).

This hub with an active repeater cable extends the distance between the hub and the computer up to 5m/10 m.

- 4x USB ports
  - 2x port USB3.2Gen1 type A Female 5Gbps
  - 2x port USB3.2Gen1 type C Female 5Gbps
- Full compliance with USB 2.0 / 1.1 specification
- Plug & play. no additional drivers required
- USB Bus powered
- Cable length: 3m/5m/10 m
- Housing dimensions: 81 x 40 x 17 mm
- Connectors:
  - 1x USB Type A Male and 2x USB Type A + 2x USB Type C Female
- Supports Windows XP / 7 / 8 / 10

Note: According to the current specifications of USB.org we have adapted the technical data of our USB 3 products. The new designation for the already known USB specifications has been changed to USB 3.2 Gen 1 (formerly USB 3.0 / USB 3.1 Gen 1) and USB 3.2 Gen 2 (formerly USB 3.1 / USB 3.1 Gen 2).

- Contents: Cable, USB power cable



Order-No. – P.U.

VALUE USB 3.2 Gen1 Hub, 4 Ports (2x A + 2x C), with Extension Cable, black, 3 m 12.99.1126 – 10

VALUE USB 3.2 Gen1 Hub, 4 Ports (2x A + 2x C), with Extension Cable, black, 5 m 12.99.1124 – 10

VALUE USB 3.2 Gen1 Hub, 4 Ports (2x A + 2x C), with Extension Cable, black, 10 m 12.99.1125 – 10

## VALUE USB 3.2 Gen 1 to Gigabit Ethernet Converter + 3x USB Hub

5 Gbit/s

This converter is a cost effective solution to convert a USB 3.2 Gen 1 port type C into a 10/100/1000Base-T Ethernet port

- Supports 10/100/1000 Mbit/s auto-sensing capability

- Supports USB 3.2 Gen 1
- Bus powered
- Supports both full-duplex and half-duplex operation in Gigabit Ethernet
- Hub function, 3x
- Supports Windows XP/7/8, Mac OS X
- Contents: Converter



Order-No. – P.U.

VALUE USB 3.2 Gen 1 to Gigabit Eth. Converter + 3x USB Hub 12.99.1109 – 10

## ROLINE USB 3.2 Gen 1 Hub with Repeater

5 Gbit/s

This hub with an active repeater cable extends the distance between the hub and the computer up to 10 m.

- Active extension of USB 3.2 Gen 1 bus
- The extension acts like a USB hub with 10 m cable
- Full compliance with USB 2.0, USB 1.1

- Plug & play, no additional drivers required
- USB Bus powered
- Cascadable one time
- Power adapter (5V/3.5A, included) for heavy power consumption devices
- Compatible with Win XP / 7 / 10
- Contents: Cable



Technical data:

- Connectors: 1x USB type A M, 4x USB Type A F
- Cable length: 10 m
- Housing dimensions: 81 x 40 x 17 mm

Designed for Professionals

Order-No. – P.U.

ROLINE USB 3.2 Gen 1 Hub, 4 Ports, with Repeater, black, 10 m 12.04.1098 – 4

## VALUE USB 3.2 Gen 1 Hub, 4 Ports, Type C

5 Gbit/s

With this hub up to four USB 3.0 / USB 3.2 Gen 1 peripheral devices can be connected to the USB Type C port of a PC.

- Fixed USB cable with type C connector for host connection
- Four USB Type A ports for connecting peripheral devices
- One Port USB Type C PD (Power Delivery) to charge your MacBook, Ultrabook or mobile devices (only 14.99.5038)
- Data transfer rates of up to 5 Gbps (USB 3.0 / USB 3.2 Gen 1)
- Automatic determination of the optimal transmission rate
- Aluminium housing
- Contents: Hub

Note: According to the current specifications of USB.org we have adapted the technical data of our USB 3 products. The new designation for the already known USB specifications has been changed to USB 3.2 Gen 1 (formerly USB 3.0 / USB 3.1 Gen 1) and USB 3.2 Gen 2 (formerly USB 3.1 / USB 3.1 Gen 2).



Order-No. – P.U.

VALUE USB 3.2 Gen 1 Hub, 4 Ports, Type C, with (PD)

14.99.5038 – 10

VALUE USB 3.2 Gen 1 Hub, 4 Ports, Type C

14.99.5039 – 10

Value



## VALUE USB 3.2 Gen 1 Hub, 7 Ports, Type C, with Power Supply

5 Gbit/s

With this USB 3.0 / USB 3.2 Gen 1 Hub up to seven USB peripheral devices can be connected to the USB port of a PC.

This hub can connect up to 7 USB 3.0 / USB 3.2 Gen 1 devices to a USB Type C port

- Data transfer rates of up to 5 Gbit/s
- LED status indicator
- Hot-swappable
- Colour: Black
- Contents: Hub, power supply, USB3.2 Gen1 cable

Note: According to the current specifications of USB.org we have adapted the technical data of our USB 3 products. The new designation for the already known USB specifications has been changed to USB 3.2 Gen 1 (formerly USB 3.0 / USB 3.1 Gen 1) and USB 3.2 Gen 2 (formerly USB 3.1 / USB 3.1 Gen 2).



Order-No. – P.U.

VALUE USB 3.2 Gen 1 Hub, 7 Ports, Type C, with Power Supply

14.99.5040 – 10

Value



## ROLINE USB 3.2 Gen 1 Hub

5 Gbit/s

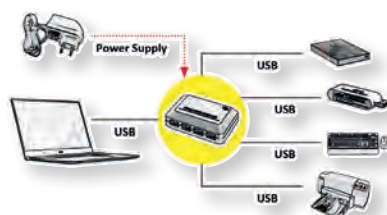
This hub can connect up to four USB devices with SuperSpeed

- Data transfer rates of up to 5 Gbit/s
- Fully backwards compatible with USB 2.0, USB 1.1
- PC connection: 1x USB 3 Type B
- Input: 4x USB 3 Type A SuperSpeed ports
- LED status indicator for each port
- Hot-swappable
- Colour: Black
- Contents: Hub, power supply, USB cable

**roline**  
Designed for Professionals

## Technical data:

PC connection: 1x USB 3 Type B  
Input: 4x USB 3 Type A  
Dimensions (HxWxD): 24 x 95 x 55 mm  
Power supply: 5V 4A



Order-No. – P.U.

ROLINE USB 3.2 Gen 1 Hub, 4 Ports, with Power Supply

14.02.5015 – 10



## ROLINE USB 3.2 Gen 1 Hub, 4x Ports + 1x Charging Port (QC), Switchable

5 Gbit/s

This hub can connect up to four USB devices with SuperSpeed

- Data transfer rates of up to 5 Gbit/s
- 1x Quick charge port (QC) support max. 2.4A
- Fully backwards compatible with USB 2.0, USB 1.1
- PC connection: 1x USB 3.0 Type B
- Input: 4 USB 3.0 Type A SuperSpeed ports
- Hot-swappable
- Housing: Aluminum
- Colour: Black

Note: According to the current specifications of USB.org we have adapted the technical data of our USB 3 products. The new designation for the already known USB specifications has been changed to USB 3.2 Gen 1 (formerly USB 3.0 / USB 3.1 Gen 1) and USB 3.2 Gen 2 (formerly USB 3.1 / USB 3.1 Gen 2).

- Contents: Hub, power supply (12V/2A), USB 3.0 cable (A- B, 1m)



**roline**<sup>®</sup>  
Designed for Professionals

Order-No. – P.U.

ROLINE USB 3.2 Gen 1 Hub, 4x Ports + 1x Charging Port (QC)

14.02.5058 – 5

## ROLINE USB 3.2 Gen 1 Hub, 4 / 7 Ports, Switchable

5 Gbit/s

This hub can connect up to four / seven USB devices with SuperSpeed

- Data transfer rates of up to 5 Gbit/s
- Fully backwards compatible with USB 2.0, USB 1.1
- PC connection: 1x USB 3.0 Type A
- Input: 4 / 7 USB 3.0 Type A SuperSpeed ports
- LED status indicator for each port
- Hot-swappable
- Individual power switch and blue LED indicators controlling each port.
- Supports auto switching between self-power and bus-power mode
- Housing: Aluminum
- Colour: Black

Note: According to the current specifications of USB.org we have adapted the technical data of our USB 3 products. The new designation for the already known USB specifications has been changed to USB 3.2 Gen 1 (formerly USB 3.0 / USB 3.1 Gen 1) and USB 3.2 Gen 2 (formerly USB 3.1 / USB 3.1 Gen 2).

- Contents: Hub, power supply, USB 3.0 cable (A-B, 1m)



**roline**<sup>®</sup>  
Designed for Professionals

Order-No. – P.U.

ROLINE USB 3.2 Gen 1 Hub, 4 Ports, switchable

14.02.5056 – 5

ROLINE USB 3.2 Gen 1 Hub, 7 Ports, switchable

14.02.5057 – 5

## ROLINE USB 3.2 Gen 1 Hub, 3 Ports, Type C, + Card Reader, Switchable

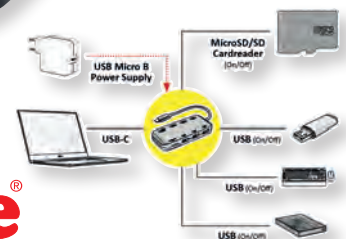
5 Gbit/s

3-Port USB 3.2 Gen 1 Hub with USB Type C connection cable - for connecting up to three peripheral or storage devices to a tablet (like an Apple iPad Pro), Ultrabook, Notebook/Laptop or PC via USB Type C. Including a Card Reader for connecting a micro SD card.

- 3-Port USB 3.2 Gen 1 Type A Hub with data rates up to 5Gbit/s
- Suitable for Tablets, Macs/MacBooks, Ultrabooks, Notebooks/Laptops or PCs via USB Type C
- One Micro SD card reader port
- Suitable for peripherals such as keyboard, mouse and printer or for mass storage devices such as USB sticks and external hard drives
- Individual power switch and blue LED indicators controlling each port.
- Power supply via USB Type C

Note: According to the current specifications of USB.org we have adapted the technical data of our USB 3 products. The new designation for the already known USB specifications has been changed to USB 3.2 Gen 1 (formerly USB 3.0 / USB 3.1 Gen 1) and USB 3.2 Gen 2 (formerly USB 3.1 / USB 3.1 Gen 2).

- Contents: Hub



**roline**<sup>®</sup>  
Designed for Professionals

Order-No. – P.U.

ROLINE USB 3.2 Gen 1 Hub, 3 Ports, Type C, + Card Reader, switchable

14.02.5059 – 10



## ROLINE USB 3.2 Gen 1 Hub, Type C

5 Gbit/s

This ROLINE hub can connect up to four USB 3.2 Gen 1 devices (Type A) to a USB Type C port

- Data transfer rates of up to 5 Gbit/s
- Fully backwards compatible with USB 2.0, USB 1.1
- LED status indicator for each port
- Hot-swappable
- Colour: Black
- Contents: Hub, power supply, USB cable

|                              |                   |
|------------------------------|-------------------|
| <b>Technical information</b> | <b>14.02.5035</b> |
| PC connection                | 1x USB Type C     |
| Device connection            | 4x USB Type A     |
| Dimensions (HxWxD)           | 15 x 90 x 40 mm   |



Order-No. – P.U.

ROLINE USB 3.2 Gen 1 Hub, 4 Ports, Type C Connection, with Power Supply 14.02.5035 – 5

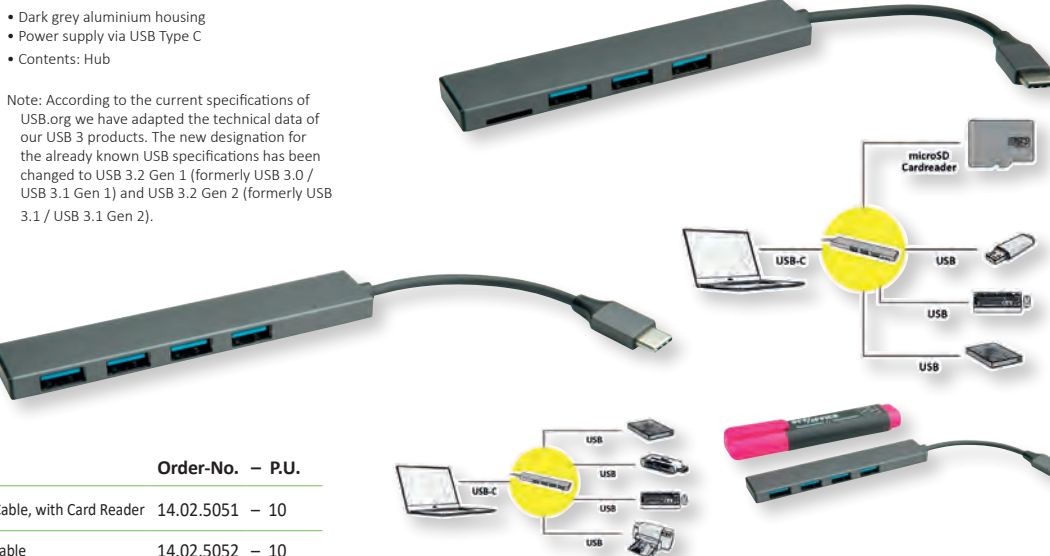
**roline**<sup>®</sup>  
Designed for Professionals

## ROLINE USB 3.2 Gen 1 Hub, 3 / 4 Ports, Type C Connection Cable

5 Gbit/s

**3-Port USB 3.2 Gen 1 Slim Hub made of dark grey aluminium with USB Type C connection cable - for connecting up to three peripheral or storage devices to a tablet (like an Apple iPad Pro), Ultrabook, Notebook/Laptop or PC via USB Type C. Including a Card Reader for connecting a micro SD card.**

- 3-Port USB 3.2 Gen 1 Type A Hub with data rates up to 5Gbit/s
- Suitable for Tablets, Macs/MacBooks, Ultrabooks, Notebooks/Laptops or PCs via USB Type C
- One Micro SD card reader port
- Suitable for peripherals such as keyboard, mouse and printer or for mass storage devices such as USB sticks and external hard drives
- Slim Hub with extremely small housing



Note: According to the current specifications of USB.org we have adapted the technical data of our USB 3 products. The new designation for the already known USB specifications has been changed to USB 3.2 Gen 1 (formerly USB 3.0 / USB 3.1 Gen 1) and USB 3.2 Gen 2 (formerly USB 3.1 / USB 3.1 Gen 2).

**roline**<sup>®</sup>  
Designed for Professionals

Order-No. – P.U.

ROLINE USB3.2 Gen 1 Hub, 3 Ports, Type C Connection Cable, with Card Reader 14.02.5051 – 10

ROLINE USB3.2 Gen 1 Hub, 4 Ports, Type C Connection cable 14.02.5052 – 10

## ROLINE USB 3.2 Gen 1 Hub, 4 Ports (4x USB A), Type C

5 Gbit/s

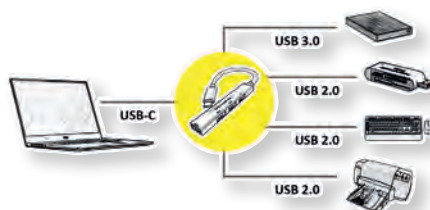
**4-Port USB 3.2 Gen 1 Slim Hub made of dark grey aluminium with USB Type C connection cable - for connecting up to four peripheral or storage devices to a tablet (like an Apple iPad Pro), Ultrabook, Notebook/Laptop or PC via USB Type C.**

- 4-ports USB (1x USB Type A with USB 3.2 Gen1 (5 Gbit/s) / 3x USB Type A with USB 2.0 (480 Mbit/s))
- Suitable for Tablets, Macs/MacBooks, Ultrabooks, Notebooks/Laptops or PCs via USB Type C
- Suitable for peripherals such as keyboard, mouse and printer or for mass storage devices such as USB sticks and external hard drives
- Slim Hub with extremely small and slim housing
- Dark grey aluminium housing

- Power supply via USB Type C

Note: According to the current specifications of USB.org we have adapted the technical data of our USB 3 products. The new designation for the already known USB specifications has been changed to USB 3.2 Gen 1 (formerly USB 3.0 / USB 3.1 Gen 1) and USB 3.2 Gen 2 (formerly USB 3.1 / USB 3.1 Gen 2).

- Contents: Hub



Order-No. – P.U.

ROLINE USB 3.2 Gen 1 Hub, 4 Ports, Type C

14.02.5053 – 10



**ROLINE USB 3.2 Gen 1 Hub, Type C, with PD** 5 Gbit/s

This ROLINE hub can connect up to four USB 3.2 Gen 1 devices (Type A) to a USB Type C port and has 1 additional Type C Power Delivery port (1x PD)

- Data transfer rates of up to 5 Gbit/s
- Fully backwards compatible with USB 2.0, USB 1.1

- Hot-swappable
- Colour: silver
- Contents: Hub



|                              |                  |
|------------------------------|------------------|
| <b>Technical information</b> | <b>14.02.506</b> |
| PC connection                | 1x USB Type C    |
| Device connection            | 4x USB Type A    |
| Dimensions (HxWxD)           | 11 x 94 x 181 mm |

**roline**  
Designed for Professionals

Order-No. – P.U.

ROLINE USB 3.2 Gen 1 Hub, 4 Ports, Type C Connection, w. Power Delivery (PD) 14.02.5061 – 10

**ROLINE USB 3.2 Gen 1 Hub, Type C** 5 Gbit/s

This ROLINE hub can connect up to four USB 3.2 Gen 1 devices (Type A) to a USB Type C port

- Data transfer rates of up to 5 Gbit/s
- Fully backwards compatible with USB 2.0, USB 1.1
- LED status indicator for each port
- Hot-swappable
- USB Micro B connector for optional power supply via power supply unit
- Dimensions: 11 x Ø 60 x 200 mm
- Colour: silver
- Contents: Hub, power supply, USB cable



**roline**  
Designed for Professionals

Order-No. – P.U.

ROLINE USB 3.2 Gen 1 Hub, 4 Ports, Type C Connection Cable 14.02.5036 – 10

**ROLINE USB 3.2 Gen 1 Hub, 4 Ports (3x USB A + 1x C), PD+Data** 5 Gbit/s

3-Port USB 3.2 Gen 1 Hub with USB Type C connection cable and additional USB Type C PD (Power Delivery) Port for MacBook, Ultrabook, Notebook/Laptop or PC with USB Type C.

- This hub can connect up to three USB 3.2 Gen 1 devices (Type A) to a USB Type C port

- Data transfer rates of up to 5 Gbit/s
- USB Type C PD (Power Delivery) for up to 100W of power transmission to your connected device
- Fully backwards compatible with USB 2.0, USB 1.1
- Hot-swappable
- Contents: Hub



**roline**  
Designed for Professionals

Order-No. – P.U.

ROLINE USB 3.2 Gen 1 Hub, 4 Ports (3x USB A + 1x C), PD+Data 14.02.5038 – 10

**ROLINE GOLD USB 3.2 Gen 1 Hub, 4 Ports, Type C**

ROLINE GOLD USB 3.0 / USB 3.2 Gen 1 Hub with 4 ports and data transfer rates up to 5Gbit/s! Eye-catching, high-quality design thanks to the golden aluminium housing and the black/golden nylon sheathed cable.

- 4-Port USB 3.0 / USB 3.2 Gen 1 Hub
- Data transfer rates of up to 5 Gbps
- Narrow, flat design
- Golden aluminium case
- Black/golden nylon braid around the cable
- Golden shield plates and contacts



**roline**  
Designed for Professionals

Order-No. – P.U.

ROLINE GOLD USB 3.2 Gen 1 Hub, 4 Ports, Type C 14.02.5049 – 5

**VALUE USB 3.2 Gen 2 Hub, 4 Ports (2x A + 2x C), Type C** 10Gbit/s

With this USB 3.1 / USB 3.2 Gen 2 Hub up to four USB peripheral devices can be connected to the USB port of a PC.

This hub can connect up to 4 USB 3.1 / USB 3.2 Gen 2 devices to a USB Type C port

- Data transfer rates of up to 10 Gbit/s
- 2x USB Type A + 2x USB Type C
- LED status indicator
- Hot-swappable
- Colour: Black
- DP Alt Mode is not supported



Note: According to the current specifications of USB.org we have adapted the technical data of our USB 3 products. The new designation for the already known USB specifications has been changed to USB 3.2 Gen 1 (formerly USB 3.0 / USB 3.1 Gen 1) and USB 3.2 Gen 2 (formerly USB 3.1 / USB 3.1 Gen 2).

- Contents: Hub

Order-No. – P.U.

VALUE USB 3.2 Gen 2 Hub, 4 Ports (2x A + 2x C), Type C 14.99.5041 – 5

**Value**  
®

## ROLINE USB 3.2 Gen 2 Hub, 7 Ports, (3x Type C + 4x Type A)

10Gbit/s

With this hub up to seven USB 3.1 / USB 3.2 Gen 2 peripheral devices can be connected to the USB Type C port of a PC.

- Four (4x) USB Type A ports for connecting peripheral devices
- Three (3x) USB Type C ports for connecting peripheral devices
- USB cable with type C connector for host connection
- Data transfer rates of up to 10 Gbit/s (USB 3.1 / USB 3.2 Gen 2)
- Automatic determination of the optimal transmission rate

Note: According to the current specifications of USB.org we have adapted the technical data of our USB 3 products. The new designation for the already known USB specifications has been changed to USB 3.2 Gen 1 (formerly USB 3.0 / USB 3.1 Gen 1) and USB 3.2 Gen 2 (formerly USB 3.1 / USB 3.1 Gen 2).

- Contents: Hub, USB C connection cable, power supply (5VDC / 4A)



**roline**<sup>®</sup>  
Designed for Professionals

Order-No. – P.U.

ROLINE USB 3.2 Gen 2 Hub, 7 Ports, (3x Type C + 4x Type A)

14.02.5055 – 5

## ROLINE USB 3.2 Gen 2 Hub, 5 Ports, Type C

10Gbit/s

ROLINE USB 3.0 / USB 3.2 Gen 2 Hub with 5 ports and data transfer rates of up to 10 Gbit/s!

- Hub with 5 ports USB 3.0 / USB 3.2 Gen 2 (3x Type A + 1x Type C female + 1x Type C female PD)
- Connection cable with USB Type C connector
- Data transfer rates of up to 10 Gbit/s
- Narrow, flat design
- 3x USB 3.0 / USB 3.2 Gen 2 Type A ports (data transfer rate up to 10 Gbit/s), for connecting e.g. keyboard/mouse, USB HDD/SSD, etc.
- 1x USB 3.2 Gen 2 Type C (10 Gbit/s)
- 1x Type C PD (Power Delivery, max. 100W)

Note: According to the current specifications of USB.org we have adapted the technical data of our USB 3 products. The new designation for the already known USB specifications has been changed to USB 3.2 Gen 1 (formerly USB 3.0 / USB 3.1 Gen 1) and USB 3.2 Gen 2 (formerly USB 3.1 / USB 3.1 Gen 2).

- Contents: Hub



**roline**<sup>®</sup>  
Designed for Professionals

Order-No. – P.U.

ROLINE USB 3.2 Gen 2 Hub, 5 Ports, Type C

14.02.5048 – 10

## ROLINE USB 3.2 Gen2 Hub, 4 Ports (2x A + 2x C), +PD (100W)

NEW

10Gbit/s

The hub with USB C connection cable allows the connection of up to four USB peripherals.

- 4x USB ports
- 2x port USB3.2Gen2 type A Female 10Gbps
- 2x port USB3.2Gen2 type C Female 10Gbps
- Supports PD (Power Delivery) 100W
- Full compliance with USB 2.0 / 1.1 specification
- Plug & play, no additional drivers required
- USB Bus powered
- Housing dimensions: 70 x 46 x 15 mm
- Connectors: 1x USB Type C Male and 2x USB Type A + 2x USB Type C Female
- Supports Windows XP / 7 / 8 / 10

Note: According to the current specifications of USB.org we have adapted the technical data of our USB 3 products. The new designation for the already known USB specifications has been changed to USB 3.2 Gen 1 (formerly USB 3.0 / USB 3.1 Gen 1) and USB 3.2 Gen 2 (formerly USB 3.1 / USB 3.1 Gen 2).

- Contents: hub



**roline**<sup>®</sup>  
Designed for Professionals

Order-No. – P.U.

ROLINE USB 3.2 Gen2 Hub, 4 Ports (2x A + 2x C), +PD (100W),

14.02.5060 – 10





## Computer Cables / Connectors / Adapters

3

|  |                                      |
|--|--------------------------------------|
| ROLINE- THE difference . . . . .                   | 3.02 – 3.03                          |
| USB Cables . . . . .                               | 3.04 – 3.21, 3.34, 3.46 – 3.47       |
| USB Extenders . . . . .                            | 3.09 – 3.13                          |
| 9-pole / 25-pole / Serial /-Link Cables . . . . .  | 3.23                                 |
| Printer Cables, parallel . . . . .                 | 3.23                                 |
| Keyboard Cables PS/2 . . . . .                     | 3.24                                 |
| Monitor Connection Cables VGA . . . . .            | 3.24 – 3.25                          |
| Monitor Connection Cables DVI . . . . .            | 3.24 – 3.26, 3.48 – 3.49             |
| HDMI Cables . . . . .                              | 3.26 – 3.30, 3.31, 3.33, 3.50 – 3.51 |
| DisplayPort Cables . . . . .                       | 3.37 – 3.41, 3.32, 3.43 – 3.45       |
| Thunderbolt Cables . . . . .                       | 3.42                                 |
| Adapters VGA/DVI/HDMI/DP . . . . .                 | 3.52, 3.54 – 3.57                    |
| USB Type C Display Adapters . . . . .              | 3.55 – 3.56, 3.58                    |
| Type C Audio Cables . . . . .                      | 3.61 – 3.62                          |
| Audio / Video Cables / Adapters . . . . .          | 3.62 – 3.63                          |
| SATA Cables . . . . .                              | 3.64 – 3.65                          |
| Internal Power Cables . . . . .                    | 3.66                                 |
| Power Cords . . . . .                              | 3.67 – 3.69                          |
| Telephone Cables / Accessories; Ferrites . . . . . | 3.70                                 |
| Gender Changers . . . . .                          | 3.22, 3.71                           |
| Adapters / Converters . . . . .                    | 3.72 – 3.76                          |

## ROLINE – Quality is the Difference!

ROLINE products are developed for professional users and differ considerably in their quality from comparable products in the IT environment. Their high compatibility in combination with other devices is excellent.

ROLINE sets standards for high-quality, practical, user-friendly products, suitable for continuous use at a reasonable price.

ROLINE products comply with EU standards and directives such as CE, ErP, RoHS and REACH. The specifications and defaults of the various standards and technologies are strictly adhered, too.

The difference between ROLINE and cheap standard products is exemplified in the following product categories.

**roline**<sup>®</sup>  
Designed for Professionals

Well Shielded  
ROLINE Cable



Bad Shielded  
Cheap Cable



## USB Cables: Facts and Comparison

### USB 2.0

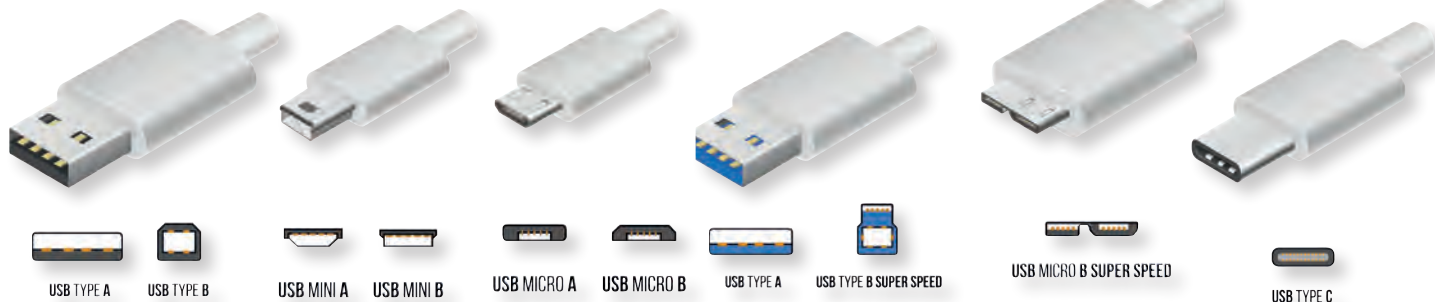
USB 2.0 is still the most widely used standard, but is on the decline due to the advance of USB 3.0 / 3.2 Gen 1 or Gen 2. USB 2.0 achieves data transfer rates of up to 480Mbit/s and is backwards compatible with USB 1.1. There are two connector types for this: Type A, which always („upstream“) points towards the „host“, i.e. the PC, and Type B, which („downstream“) leads towards the peripheral device. In addition, there are different so-called USB mini or micro connectors for connecting e.g. small cameras or hard drives.

### USB 3.0 -> USB 3.2 Gen 1

With USB 3.0 or 3.1, a standard was adopted that brings far-reaching changes: faster transfer rates of up to 5 Gbit/s, new interface designs, improved A/V transmission thanks to the use of the DisplayPort protocol with up to 4K at 60Hz and power supplies with Power Delivery are now possible. USB 3.0 and USB 3.1 Gen 1 use the same cables and protocols and are therefore identical. USB 3.0 was reimaged as USB 3.2 Gen 1 as part of the USB 3.2 launch.

### USB 3.1 -> USB 3.2 Gen 2

USB 3.2 Gen 2 is the further development of USB 3.2 Gen 1 and reserved for the USB Type C connector. The standard supports all the specifications of USB 3.2 Gen 1, as well as the full potential of Power Delivery and thus power supplies of up to 100W. In addition, data transfer rates of up to 10 Gbit/s are supported with the further development.



### USB Type C Connector

- USB Type C is the newest sort of USB connector and is available for the USB standards 2.0, 3.0 / 3.2 Gen 1 / Gen 2 and USB4
- Thanks to the symmetrical construction, a reversible usage is possible, now. This is a significant improvement to the predecessors and allows a longer lifespan of the plugs.
- The data transfer rate and PD function each depend on the USB specification and are not exclusively for the USB Type C plug.
- A Full-Featured USB 3.2 Gen 2 cable has to be with Type C connectors on both ends to grant both, the data transmission rate of 10Gbit/s and the full PD functionality.

### Power Delivery

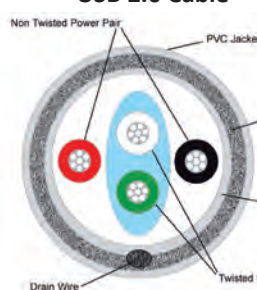
PD (Power Delivery) is a proprietary specification used with USB. PD requires special E-Mark chips in all components and then allows communication between devices, such as between a smartphone and charger, to select a suitable charging profile that releases up to 100W of voltage at 20V 5A.

### Power Delivery Profile

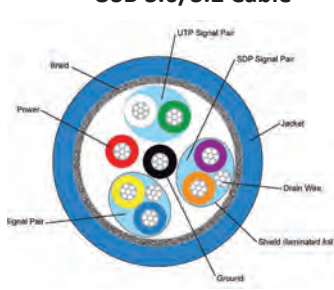
| PD-Profile | Load Voltage/Load Current | Max. Power |
|------------|---------------------------|------------|
| Profile 1  | max. 5 V / 2 A            | 10 W       |
| Profile 2  | max. 2 V / 1,5 A          | 18 W       |
| Profile 3  | max. 12 V / 3 A           | 36 W       |
| Profile 4  | max. 20 V / 3 A           | 60 W       |
| Profile 5  | max. 20 V / 5 A           | 100 W      |

Remark: with USB-PD Revision 3.1 and Extended Power Range (EPR) even 240W are possible.

### USB 2.0 Cable



### USB 3.0/3.2 Cable



### USB4 Gen 3x2 (40Gbit/s) / Gen2x2 (20Gbit/s)

The major benefits of the USB4 includes faster transfer speeds (up to 40 Gbit/s), a better management of video bandwidth (using a process called „protocol tunneling“ that sends DisplayPort, PCIe and USB packets at the same time while allocating bandwidth accordingly) and optional compatibility with Thunderbolt 3 products.

- Supports USB Power Delivery up to 48V / 5A (240W)

Source: Power Delivery: <http://www.usb.org>

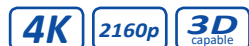
## Interface Standard HDMI – High Definition Multimedia Interface

We have created a legend for you that explains our icons in connection with the corresponding interface standard here in the catalog as well as in the e-shop. This makes it even easier for you to quickly and easily find the right cable for you or your customer at a glance!



### HDMI High Speed

HDMI (High Definition Multimedia Interface) is the standard interface in the multimedia sector for the transmission of HDTV signals and other content. It unifies existing transmission methods and extends the quality features of the previous transmission types. Thanks to the maximum resolution of up to 1080p (1920x1080 / 1920x1200) at up to 60Hz, the „HDMI High Speed“ variant is the current standard in the home user sector and thus offers video displays in Full HD as well as 3D TV.



### HDMI High Speed with Ethernet

The variant „HDMI High Speed with Ethernet“ transmits image signals up to 2160p (3840x2160) at 30Hz and thus offers the capacity for video representations in 4K and 3D TV- the standard is also equipped with an additional HDMI Ethernet Channel (HEC) for network connections and an Audio Return Channel (ARC) for the return of audio signals.



### HDMI Ultra HD with Ethernet (UHD-1).

An even better video presentation is achieved with „HDMI Ultra HD with Ethernet“, also called UHD-1- the standard transmits image signals up to 2160p (3840x2160) at up to 60Hz and thus offers a much smoother image presentation in UHD as well as in 3D TV. Also used here are the additional HDMI Ethernet Channel (HEC) for network connections, the Audio Return Channel (ARC) for the return of audio signals and the new feature HDR for a much better color space. Cables in this category are essential accessories for anyone who wants to take full advantage of a 4K TV, monitor or projector.



HDMI

Mini HDMI

Micro HDMI



### HDMI Ultra HD with Ethernet (UHD-2)

The „HDMI Ultra HD with Ethernet“ standard also recognizes UHD-2 quality, which supports particularly future-proof resolutions up to 8K (7680x4320) at up to 60Hz. These are dedicated cables, in which all features of UHD-1 are adopted. The first 8K-capable devices are already on the market for private users. Nevertheless, this is a standard intended for professional users for the time being.



### High quality HDMI cable with resolutions up to 10K (10240 x 4320) at 30Hz!

- Supports a resolution of up to 10240x4320 pixels at a refresh rate of up to 30Hz!

## Interface Standard – DisplayPort

We have created a legend for you that explains our icons in connection with the corresponding interface standard here in the catalog as well as in the e-shop. This makes it even easier for you to quickly and easily find the right cable for you or your customer at a glance!



### DisplayPort v1.1

DP (DisplayPort) is a universal standard for the transmission of image and sound signals. Areas of application are in particular the connection of monitors or also televisions to computers and similar devices. DisplayPort and HDMI are competing standards, although originally for different areas of application. An important technical difference: A connection from DisplayPort to HDMI or DVI is not bidirectional and therefore only usable in one direction, because the DisplayPort connector must be used on the data source side due to protocol (e.g. at the graphics card).

DisplayPort v1.1 supports a maximum resolution of 1920x1600 at up to 60Hz and is thus roughly comparable to HDMI High Speed and still perfectly suitable for the current market. An important advantage of DisplayPort is the way it is locked in place, which, unlike DVI, does not need to be screwed in place, but instead clips in securely with tension.



### DisplayPort v1.2

DP v1.2 is the first standard of the interface that enables resolutions in 4K. It achieves up to 3840x2560 at 60Hz, which makes DisplayPort v1.2 predestined for applications with high graphics requirements on the PC or notebook, such as PC games or graphic design. DisplayPort v1.2 is the first to use the daisy chain feature, which allows monitors connected via DisplayPort to be connected in series and used independently of each other, so that only one DP output is required on the PC/notebook.



### DisplayPort v1.3/v1.4

DisplayPort v1.3 and v1.4 use identical cable material. In addition to the already known daisy chain, the standards are supplemented by HDR support and image compression by color subsampling (DSC, Display Screen Compression), which are supported by both standards. DisplayPort v1.4, however, adds FEC (Forward Error Correction), an error correction feature to prevent data loss when using DSC. DisplayPort v1.3 and v1.4

both support a maximum resolution of 5K or 2880p (equivalent to 5120x2880) at 60Hz without the use of compression, and DisplayPort v1.4 even supports up to 8K or 4320p (equivalent to 7680x4320) at 30Hz when DSC is used.



### DisplayPort v2.0

- DisplayPort v2.0 supports Display Stream Compression 1.2a (DSC), Forward Error Correction and the HDR10 standard.

### DisplayPort 2.1

- This version incorporates the new DP40 and DP80 cable certifications, which test DisplayPort cables for proper operation at the UHBR10 (40 Gbit/s) and UHBR20 (80 Gbit/s) speeds introduced in version 2.0. DisplayPort 2.1 has added a new DisplayPort bandwidth management feature to enable DisplayPort tunneling to coexist with other I/O data traffic more efficiently over the USB4 link.

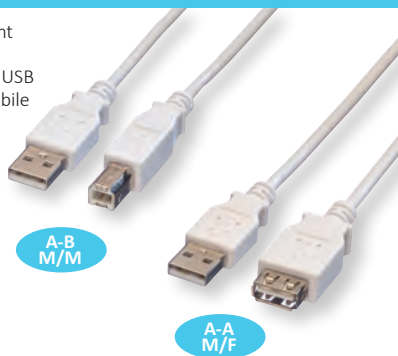
### DisplayPort v1.4





## VALUE USB 2.0 Cables

- High quality USB cable with different types of USB connector
- For the connection of devices with USB connector; e.g. digital cameras, mobile phones, MP3 players or PDAs
- Meets standard USB 2.0 (transfer rate up to 480 Mbit/s)
- Colour: white
- Type: A-B, A-A
- Colour: white



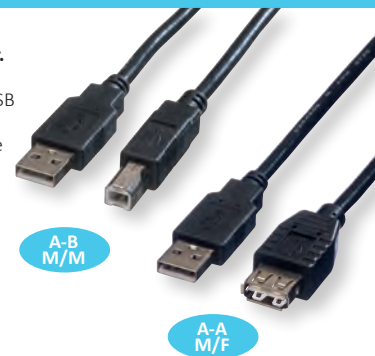
Order-No. – P.U.

|   |                  |
|---|------------------|
| VALUE USB 2.0 Cable, A - B, M/M, white, 0.8 m | 11.99.8809 – 50  |
| VALUE USB 2.0 Cable, A - B, M/M, white, 1.8 m | 11.99.8819 – 100 |
| VALUE USB 2.0 Cable, A - B, M/M, white, 3.0 m | 11.99.8831 – 100 |
| VALUE USB 2.0 Cable, A - B, M/M, white, 4.5 m | 11.99.8841 – 100 |
| VALUE USB 2.0 Cable, A - A, M/M, white, 0.8 m | 11.99.8909 – 50  |
| VALUE USB 2.0 Cable, A - A, M/M, white, 1.8 m | 11.99.8919 – 100 |
| VALUE USB 2.0 Cable, A - A, M/M, white, 3.0 m | 11.99.8931 – 100 |
| VALUE USB 2.0 Cable, A - A, M/M, white, 4.5 m | 11.99.8944 – 100 |
| VALUE USB 2.0 Cable, A - A, M/F, white, 0.8 m | 11.99.8946 – 50  |
| VALUE USB 2.0 Cable, A - A, M/F, white, 1.8 m | 11.99.8949 – 100 |
| VALUE USB 2.0 Cable, A - A, M/F, white, 3.0 m | 11.99.8961 – 100 |

## ROLINE USB 2.0 Cables

**High quality USB cable with one USB Type A and one USB Type B connector.**

- Improved shielding
- For the connection of devices with USB Type B connector; e.g. printer
- Meets standard USB 2.0 (transfer rate up to 480 Mbit/s)
- Type: A-B, A-A
- Colour: black



**roline**  
Designed for Professionals

Order-No. – P.U.

|  |                  |
|--|------------------|
| ROLINE USB 2.0 Cable, A - B, M/M, black, 0.8 m | 11.02.8808 – 50  |
| ROLINE USB 2.0 Cable, A - B, M/M, black, 1.8 m | 11.02.8818 – 100 |
| ROLINE USB 2.0 Cable, A - B, M/M, black, 3.0 m | 11.02.8830 – 100 |
| ROLINE USB 2.0 Cable, A - B, M/M, black, 4.5 m | 11.02.8845 – 100 |
| ROLINE USB 2.0 Cable, A - A, M/M, black, 0.8 m | 11.02.8908 – 50  |
| ROLINE USB 2.0 Cable, A - A, M/M, black, 1.8 m | 11.02.8918 – 100 |
| ROLINE USB 2.0 Cable, A - A, M/M, black, 3.0 m | 11.02.8930 – 100 |
| ROLINE USB 2.0 Cable, A - A, M/M, black, 4.5 m | 11.02.8945 – 100 |
| ROLINE USB 2.0 Cable, A - A, M/F, black, 0.8 m | 11.02.8947 – 50  |
| ROLINE USB 2.0 Cable, A - A, M/F, black, 1.8 m | 11.02.8948 – 100 |
| ROLINE USB 2.0 Cable, A - A, M/F, black, 3.0 m | 11.02.8960 – 100 |

## VALUE USB 2.0 Cables, A - Micro B

- USB Cable with one Type A and one Micro B USB Connector
- Meets standard USB 2.0 (transfer rate up to 480 Mbit/s)
- Colour: white



Order-No. – P.U.

|   |                 |
|---|-----------------|
| VALUE USB 2.0 Cable, A - Micro B, M/M, 0.15 m | 11.99.8751 – 50 |
| VALUE USB 2.0 Cable, A - Micro B, M/M, 0.8 m  | 11.99.8754 – 10 |
| VALUE USB 2.0 Cable, A - Micro B, M/M, 1.8 m  | 11.99.8752 – 10 |
| VALUE USB 2.0 Cable, A - Micro B, M/M, 3.0m   | 11.99.8755 – 10 |

## ROLINE USB 2.0 Cables, A - Micro B

**High quality USB cable with one Type A and one Micro USB connector.**

- Improved shielding
- For the connection of devices with Micro USB connector; e.g. digital cameras / DSLRs or mobile phones / smartphones
- Meets standard USB 2.0 (transfer rate up to 480 Mbit/s)
- Colour: black



Order-No. – P.U.

|   |                 |
|---|-----------------|
| ROLINE USB 2.0 Cable, A - Micro B, M/M, 0.15 m      | 11.02.8310 – 25 |
| ROLINE USB 2.0 Cable, A - Micro B, M/M, 0.8 m       | 11.02.8754 – 10 |
| ROLINE USB 2.0 Cable, A - Micro B, M/M, 1.8 m       | 11.02.8752 – 10 |
| ROLINE USB 2.0 Cable, A - Micro B, M/M, 3.0 m       | 11.02.8755 – 10 |
| ROLINE USB 2.0 Cable, Micro A - Micro B, M/M, 1.8 m | 11.02.8753 – 10 |

## ROLINE USB 2.0 Flat Cables

**USB Flat Cable for connection of an USB peripheral device with the USB port of your PC**

- USB Type A-B cable
- Meets standard USB 2.0 (transfer rate up to 480 Mbps)
- Ultra light and flat, stable cable for use with notebooks

- Just hide it e.g. under the carpet
- Colour: black
- Length: up to 1.8m



A-B M/M

**roline**  
Designed for Professionals

Order-No. – P.U.

|                                  |                 |
|----------------------------------|-----------------|
| ROLINE USB 2.0 Flat Cable, 0.8 m | 11.02.8867 – 10 |
| ROLINE USB 2.0 Flat Cable, 1.8 m | 11.02.8868 – 20 |

## ROLINE USB 2.0 Cables, A - Micro B

- High quality USB cable with one Type A and one Micro USB connector
- For the connection of devices with Micro USB connector; e.g. smartphones / mobile phones, digital cameras / DSLR or other equipment
- Meets standard USB 2.0 (transfer rate up to 480 Mbit/s)
- Elastic and very flexible
- Material: TPE (thermoplastic elastomer)
- Colour: black, white



**roline**  
Designed for Professionals

Order-No. – P.U.

|  |                 |
|--|-----------------|
| ROLINE USB 2.0 Cable, A - Micro B, M/M, black, 1.0 m | 11.02.8760 – 10 |
| ROLINE USB 2.0 Cable, A - Micro B, M/M, white, 1.0 m | 11.02.8761 – 10 |

## VALUE USB 2.0 Cables, A - 5-Pin Mini

- USB cable with one Type A and one USB 5-pin Mini connector
- Meets standard USB 2.0 (transfer rate up to 480 Mbit/s)
- Colour: white



Order-No. – P.U.

|  |                 |
|--|-----------------|
| VALUE USB 2.0 Cable, A - 5-Pin Mini, M/M, white, 0.8 m | 11.99.8708 – 10 |
| VALUE USB 2.0 Cable, A - 5-Pin Mini, M/M, white, 1.8 m | 11.99.8718 – 20 |
| VALUE USB 2.0 Cable, A - 5-Pin Mini, M/M, white, 3.0 m | 11.99.8730 – 10 |

## ROLINE USB 2.0 Cables, A - 5-Pin Mini

- USB cable with one Type A and one USB 5-pin Mini connector
- Meets standard USB 2.0 (transfer rate up to 480 Mbit/s)
- Colour: black



**roline**  
Designed for Professionals

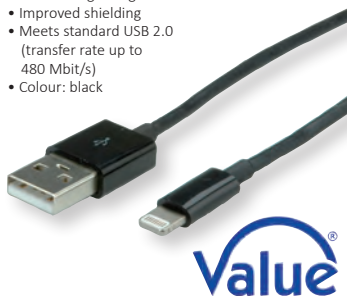
Order-No. – P.U.

|   |                 |
|---|-----------------|
| ROLINE USB 2.0 Cable, A - 5-Pin Mini, M/M, black, 0.8 m | 11.02.8708 – 10 |
| ROLINE USB 2.0 Cable, A - 5-Pin Mini, M/M, black, 1.8 m | 11.02.8719 – 20 |
| ROLINE USB 2.0 Cable, A - 5-Pin Mini, M/M, black, 3.0 m | 11.02.8730 – 10 |

## VALUE Lightning to USB Cable for iPhone, iPod, iPad

- Using 8 pins instead of 30, Lightning is significantly more compact than the 30-pin dock connector and can be inserted with either side facing up
- For the connection of devices like the iPhone on from the iPhone 5 that introduced the Lightning connector, as well as for iPods and iPads on from that generation
- This product is only made for devices with Lightning connector! It is NOT compatible with cables and peripherals designed for its predecessor, unless used with an adapter.

- High quality USB cable with one Type A (male) and one Lightning connector
- Improved shielding
- Meets standard USB 2.0 (transfer rate up to 480 Mbit/s)
- Colour: black



**Value**

Made for iPhone | iPad | iPod

Order-No. – P.U.

|   |                 |
|---|-----------------|
| VALUE Lightning to USB Cable for iPhone, iPod, iPad, 0.15 m | 11.99.8326 – 20 |
| VALUE Lightning to USB Cable for iPhone, iPod, iPad, 1.0 m  | 11.99.8321 – 20 |
| VALUE Lightning to USB Cable for iPhone, iPod, iPad, 1.8 m  | 11.99.8322 – 20 |

## ROLINE Lightning to USB Cable for iPhone, iPod, iPad

- Using 8 pins instead of 30, Lightning is significantly more compact than the 30-pin dock connector and can be inserted with either side facing up
- For the connection of devices like the iPhone on from the iPhone 5 that introduced the Lightning connector, as well as for iPods and iPads on from that generation
- This product is only made for devices with Lightning connector! It is NOT compatible with cables and peripherals designed for its predecessor, unless used with an adapter.

- High quality USB cable with one Type A (male) and one Lightning connector
- Improved shielding
- Meets standard USB 2.0 (transfer rate up to 480 Mbit/s)
- Colour: white



**roline**  
Designed for Professionals

Order-No. – P.U.

|   |                 |
|---|-----------------|
| ROLINE Lightning to USB Cable for iPhone, iPod, iPad, white, 0.15 m | 11.02.8326 – 20 |
| ROLINE Lightning to USB Cable for iPhone, iPod, iPad, white, 1.0 m  | 11.02.8321 – 20 |
| ROLINE Lightning to USB Cable for iPhone, iPod, iPad, white, 1.8 m  | 11.02.8322 – 20 |

## ROLINE USB Type C Sync & Charge Cable for Apple Devices with Lightning Connector

- USB Type C sync & charging cable for Apple devices with Lightning plug - ideal for transferring data from iPhone/iPad to Mac/MacBook!**
- USB Type C cable with MFI certified Apple Lightning connector for all newer iPhones and iPads (except iPad Pro)

- For connecting devices with Lightning jack to Mac/MacBook, PCs, Ultrabooks or other devices with USB Type C port
- Enables wired charging and data exchange
- Colour: white



**roline**  
Designed for Professionals

Made for iPhone | iPad | iPod

Order-No. – P.U.

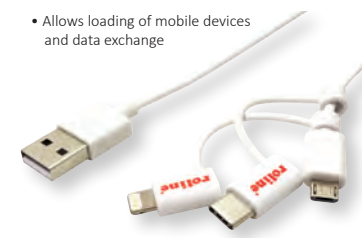
|  |                 |
|--|-----------------|
| ROLINE USB Type C Sync & Charge Cable for Apple Devices with Lightning Connector, white, 1.0 m | 11.02.8335 – 10 |
|--|-----------------|

## ROLINE 8pin + MicroB + Type C to USB Charge & Sync Cable

**Connect almost all popular smartphones or tablets via Apple Lightning, USB Type C or USB Micro B plug to e.g. your PC or charger - suitable for loading and for data transfers!**

- USB 2.0 cable with one USB Type A connector and one Apple Lightning (8pin), USB Micro B and USB Type C connector each
- For the connection of devices with Apple Lightning or Micro USB / USB Type C socket - so almost all common smartphones or tablets can be connected!
- With the revolutionary USB Type C connector you are prepared for future generations of devices.

- Complies with USB 2.0 standard (transmission up to 480 Mbit/s)
- Allows loading of mobile devices and data exchange



**roline**  
Designed for Professionals

Order-No. – P.U.

|  |                 |
|--|-----------------|
| ROLINE 8pin + MicroB + Type C to USB Charge & Sync Cable, white, 1.0 m | 11.02.8329 – 10 |
|--|-----------------|

## ROLINE USB 2.0 Spiral Cable, A - Micro B

**High quality USB cable with one Type A and one Micro USB connector**

- Improved shielding
- For the connection of devices with Micro USB connector; e.g. smartphones / mobile phones or digital cameras / DSLR
- Meets standard USB 2.0 (transfer rate up to 480 Mbit/s)
- Colour: black



**roline**  
Designed for Professionals

Order-No. – P.U.

|  |                 |
|--|-----------------|
| ROLINE USB 2.0 Spiral Cable, A - Micro B, M/M, 1.0 m | 11.02.8317 – 10 |
|--|-----------------|



## VALUE/ROLINE USB 2.0 Cables, OTG

- High quality USB cable with one Type A (female) and one Micro B USB connector
- For the connection of devices with Micro USB connector; e.g. digital cameras, mobile phones, MP3 players or PDAs
- Not suitable for Samsung Galaxy S3 mini (GT-I8190)
- Meets standard USB 2.0 (transfer rate up to 480 Mbit/s)
- Colour: black



Order-No. – P.U.

VALUE USB 2.0 Cable, A - Micro B, F/M, OTG, 0.15 m 11.99.8311 – 100

ROLINE USB 2.0 Cable, A - Micro B, F/M, OTG, 0.15 m 11.02.8311 – 25

## USB 2.0 Charging Cables, Micro B - Micro B

- Charging cable for USB devices with USB Micro B connector
- To connect an USB device with USB Micro B to another device with USB Micro B connector for charging
- Only charging, no data transfer
- Not suitable for NOKIA or BLACKBERRY
- Color: white/black
- Length: 0,3m



Order-No. – P.U.

VALUE USB 2.0 Charging Cable, Micro B - Micro B, M/M, 0.3m A 11.99.8307 – 25

ROLINE USB 2.0 Charging Cable, Micro B - Micro B, M/M, 0.3m B 11.02.8307 – 10

## ROLINE USB 2.0 Cables, C - A

For connecting smartphones or tablets with USB Type C connection to a wall charger or e.g. for connection of hard disks (HDD/SSD) and other end devices.

- USB 2.0 connection cable with Type A to Type C male/male connector
- Suitable for data transfer rates of up to 480 Mbit/s
- Connectors: 1x USB Type A connector, 1x USB type C connector
- Color: silver/ black



Order-No. – P.U.

ROLINE USB 2.0 Cable, C - A, M/M, black, 0.8 m 11.02.9027 – 10

ROLINE USB 2.0 Cable, C - A, M/M, black, 1.8 m 11.02.9028 – 10

ROLINE USB 2.0 Cable, C - A, M/M, black, 3.0 m 11.02.9029 – 10

## ROLINE USB 2.0 Cable Type C, C-B

- For connecting a PC/notebook equipped with USB Type C port to a peripheral device with a USB 2.0 Type B port (e.g. printer/scanner or an external hard disk HDD)
- Supports Hi-Speed USB 2.0 data transfer rate up to 480 Mbit/s
- Fully shielded cable with durable, flexible jacket
- Connectors: 1x USB type C male, 1x USB B male
- Length: 1.8m / 3m / 4.5m



Order-No. – P.U.

ROLINE USB 2.0 Cable Type C, C-B, M/M, black, 1.8 m 11.02.8336 – 20

ROLINE USB 2.0 Cable Type C, C-B, M/M, black, 3 m 11.02.8337 – 10

ROLINE USB 2.0 Cable Type C, C-B, M/M, black, 4.5 m 11.02.8338 – 10

## ROLINE Cable USB Micro B + Type C (M/M) to USB2.0 A (M)

## USB 2.0 cable with 2-in1 connector

- USB Type C and Micro B combo allows the cable to perform 2-in-1 functionality
- Allows you to transfer data from your mobile device
- Connect the cable to your Smartphone or tablet and charge your device by connecting the USB connector into your wall charger or transfer data by connecting it with your computer
- The one end of the cable is equipped with a Micro USB B plug, alternatively by an attachment with a type C connector, the second side has a type A connector
- Complies with the standard USB 2.0 (transmission up to 480 Mbit/s)
- Color: black



Order-No. – P.U.

ROLINE Cable USB Micro B + Type C (M/M) to USB2.0 A (M), black, 1.0 m 11.02.8328 – 10

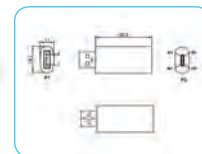
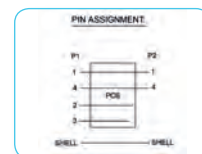
**roline**  
Designed for Professionals



VALUE USB Type A - A / A - C Data Lane Blocker

NEW

- Eliminates the risk of becoming the target of attacks via foreign USB sockets and reduces the risk of malware / malicious software being transferred to the device
- Suitable for IT equipment in any hotel, office or public environment such as schools, museums, trade fairs or other places
- Ideally suited for anchor points such as airports and railway stations
- Does not cause conflict with the existing IT infrastructure
- Prevents data exchange by blocking the data lanes- only power is transmitted to your end device
- Safe charging without complications
- Contents: 1x USB Data Blocker



Order-No. – P.U.

|                                      |                 |
|--------------------------------------|-----------------|
| VALUE USB Type A-A Data Lane Blocker | 11.99.8332 – 20 |
| VALUE USB Type A-C Data Lane Blocker | 11.99.8339 – 20 |

ROLINE USB Type A Port Blocker

Protect unused USB Type A sockets against unauthorized use. The mounting tool, which also serves as a key for the USB plugs, provides additional security.

- Reduces the risk of data leakage / theft and unauthorised uploads of software / malware
- Suitable for IT equipment in any office or public environment, like schools, museums, exhibitions or other places
- Causes no conflict with the existing IT structure
- Reduces the cost of maintenance and control of the IT equipment
- Blocks the access to a USB port physically
- Quick and simple to use
- Set with 4 locks and 1 key
- Optional - set of 10 pieces - only USB blocker without key, to be ordered separately



Order-No. – P.U.

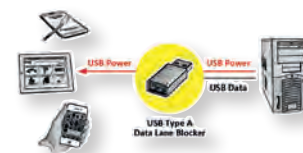
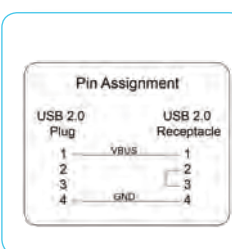
|   |                 |
|---|-----------------|
| ROLINE USB Type A Port Blocker, 4x lock and 1x key    | 11.02.8330 – 10 |
| ROLINE USB Port Lock / Blocker 10x USB for 11.02.8330 | 11.02.8331 – 10 |

ROLINE USB Type A Data Lane Blocker

The USB Type A Port Blocker blocks the data lanes of the used USB port and thus protects your end device from unwanted access or malware - nothing but power is transmitted. The solution is especially useful in foreign environments where USB sockets can be manipulated or hijacked comparatively easily, such as in hotels, or anchorage points like airports or train stations.

- Eliminates the risk of becoming the target of attacks via foreign USB sockets and reduces the risk of malware / malicious software being transferred to the device

- Suitable for IT equipment in any hotel, office or public environment such as schools, museums, trade fairs or other places
- Ideally suited for anchor points such as airports and railway stations
- Does not cause conflict with the existing IT infrastructure
- Prevents data exchange by blocking the data lanes- only power is transmitted to your end device
- Safe charging without complications
- Contents: 1x USB Data Blocker



Order-No. – P.U.

|                                     |                 |
|-------------------------------------|-----------------|
| ROLINE USB Type A Data Lane Blocker | 11.02.8332 – 10 |
|-------------------------------------|-----------------|

ROLINE USB Type C Port Blocker

Protect unused USB Type C sockets against unauthorized use. The mounting tool, which also serves as a key for the USB plugs, provides additional security.

- Reduces the risk of data leakage / theft and unauthorised uploads of software / malware
- Suitable for IT equipment in any office or public environment, like schools, museums, exhibitions or other places

- Causes no conflict with the existing IT structure
- Reduces the cost of maintenance and control of the IT equipment
- Blocks the access to a USB port physically
- Quick and simple to use
- Set with 1 lock and 1 key
- Optional- set of 10 pieces- only USB blocker without key, to be ordered separately



Order-No. – P.U.

|   |                 |
|---|-----------------|
| ROLINE USB Type C Port Blocker, 1x lock and 1x key    | 11.02.8333 – 10 |
| ROLINE USB Port Lock / Blocker 10x USB for 11.02.8333 | 11.02.8334 – 10 |

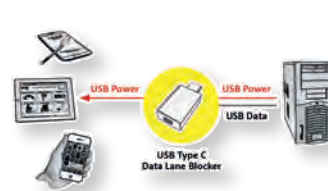
## ROLINE USB Type C - C Data Lane Blocker

NEW

The USB Type C Port Blocker blocks the data lanes of the used USB port and thus protects your end device from unwanted access or malware - nothing but power is transmitted. The solution is especially useful in foreign environments where USB sockets can be manipulated or hijacked comparatively easily, such as in hotels, or anchorage points like airports or train stations.

- Eliminates the risk of becoming the target of attacks via foreign USB sockets and reduces the risk of malware / malicious software being transferred to the device

- Suitable for IT equipment in any hotel, office or public environment such as schools, museums, trade fairs or other places
- Ideally suited for anchor points such as airports and railway stations
- Does not cause conflict with the existing IT infrastructure
- Prevents data exchange by blocking the data lanes- only power is transmitted to your end device
- Safe charging without complications
- Contents: 1x USB Data Blocker



**roline**<sup>®</sup>  
Designed for Professionals

Order-No. – P.U.

ROLINE USB Type C-C Data Lane Blocker

11.02.8339 – 20

## ROLINE USB Data Lane Blocker, A+C

NEW

The USB Type A+C Port Blocker blocks the data lanes of the used USB port and thus protects your end device from unwanted access or malware - nothing but power is transmitted. The solution is especially useful in foreign environments where USB sockets can be manipulated or hijacked comparatively easily, such as in hotels, or anchorage points like airports or train stations.

- Eliminates the risk of becoming the target of attacks via foreign USB sockets and reduces the risk of malware /

- malicious software being transferred to the device
- Suitable for IT equipment in any hotel, office or public environment such as schools, museums, trade fairs or other places
- Ideally suited for anchor points such as airports and railway stations
- Does not cause conflict with the existing IT infrastructure
- Prevents data exchange by blocking the data lanes- only power is transmitted to your end device

- Safe charging without complications
- Contents: 1x USB Data Blocker Cable



**roline**<sup>®</sup>  
Designed for Professionals

Order-No. – P.U.

ROLINE USB Data Lane Blocker, A+C

11.02.8349 – 10

## ROLINE 360° Rotation USB 2.0 Cable, C - A

NEW

480Mbit/s

For connecting smartphones or tablets with USB Type C connection to a wall charger or e.g. for connection of hard disks (HDD/SSD) and other end devices.

- Color: black/red

- USB 2.0 connection cable with Type A to Type C male/male connector
- Suitable for data transfer rates of up to 480 Mbit/s
- Connectors: 1x USB Type A connector, 1x USB type C connector
- Can rotate 360° within the cable bend protection



**roline**<sup>®</sup>  
Designed for Professionals

Order-No. – P.U.

ROLINE 360° Rotation USB 2.0 Cable, C - A, M/M, Red Black, 1 m

11.02.8345 – 10

ROLINE 360° Rotation USB 2.0 Cable, C - A, M/M, Red Black, 2 m

11.02.8346 – 10

## ROLINE 360° Rotation USB 2.0 Cable, C - C

NEW

480Mbit/s

For connecting smartphones or tablets with USB Type C connection to a wall charger or e.g. for connection of hard disks (HDD/SSD) and other end devices.

- Color: black/red

- USB 2.0 connection cable with Type C to Type C male/male connector
- Suitable for data transfer rates of up to 480 Mbit/s
- Connectors: 2x USB type C connector
- Can rotate 360° within the cable bend protection



**roline**<sup>®</sup>  
Designed for Professionals

Order-No. – P.U.

ROLINE 360° Rotation USB 2.0 Cable, C - C, M/M, 60W, Red Black, 1 m

11.02.8347 – 10

ROLINE 360° Rotation USB 2.0 Cable, C - C, M/M, 60W, Red Black, 2 m

11.02.8348 – 10

VALUE USB 2.0 Extension Cables

- Supports USB 2.0
- The cable extends the distance of a USB 2.0 device by 5 m
- Meets USB 2.0 specifications and works with low-speed, high-speed and full-speed devices
- Hot-pluggable
- Cable length: 5 m



Order-No. – P.U.

|   |   |            |      |
|---|---|------------|------|
| VALUE USB 2.0 Extender, 1 Port, white, 5.0 m  | A | 12.99.1100 | – 10 |
| VALUE USB 2.0 Extender, 2 Ports, black, 5.0 m | B | 12.99.1089 | – 10 |

ROLINE USB 2.0 Extension Cables

- Supports USB 2.0
- The cable extends the distance of a USB 2.0 device by 5 m
- The cable acts as a single port hub, which means that multiple cables can be cascaded to increase the distance between your computer and USB 2.0 devices
- Meets USB 2.0 specifications and works with low-speed, high-speed and full-speed devices
- Hot-pluggable
- Contents: Cable

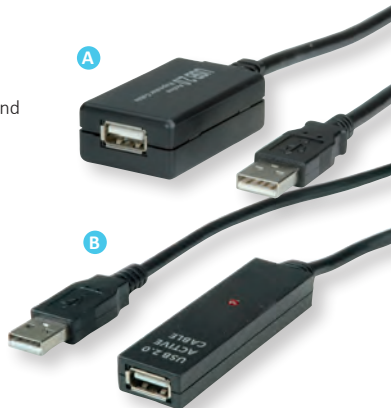


Order-No. – P.U.

|  |   |            |      |
|--|---|------------|------|
| ROLINE USB 2.0 Extension Cable, 1 Port, white, 5.0 m | A | 12.04.1088 | – 10 |
| ROLINE USB 2.0 Extension Cable, 1 Port, black, 5.0 m | B | 12.04.1089 | – 10 |

VALUE USB 2.0 Extension Cables, Active

- Supports USB 2.0
- The cable extends the distance of a USB 2.0 device by 12 m / 30m
- Meets USB 2.0 specifications and works with low-speed, high-speed and full-speed devices
- Hot-pluggable
- Cable length: 12 m / 30m



Order-No. – P.U.

|  |   |            |      |
|--|---|------------|------|
| VALUE USB 2.0 Extension Cable, active, with Repeater, 12.0 m | A | 12.99.1110 | – 10 |
| VALUE USB 2.0 Extension Cable, active, with Repeater, 30.0 m | B | 12.99.1111 | – 5  |

VALUE USB 3.2 Gen1 Hub, 4 Ports (2x A + 2x C), with Extension Cable, 5m / 10m

- The handy hub with up to 5m/10m long USB connection cable allows the connection of up to four USB peripherals at a greater distance from the PC.** This hub with an active repeater cable extends the distance between the hub and the computer up to 5m/10 m.
- 4x USB ports
    - 2x port USB3.2Gen1 type A Female 5Gbps
    - 2x port USB3.2Gen1 type C Female 5Gbps
  - Full compliance with USB 2.0 / 1.1 specification
  - Plug & play. no additional drivers required
  - USB Bus powered
  - Cable length: 5m/10 m

- Housing dimensions: 81 x 40 x 17 mm
- Connectors:
  - 1x USB Type A Male and 2x USB Type A + 2x USB Type C Female
- Supports Windows XP / 7 / 8 / 10
- Contents: Cable, USB power cable



Order-No. – P.U.

|  |            |      |
|--|------------|------|
| VALUE USB 3.2 Gen1 Hub, 4 Ports (2x A + 2x C), with Extension, 5 m | 12.99.1124 | – 10 |
| VALUE USB 3.2 Gen1 Hub, 4 Ports (2x A + 2x C), with Extension,10 m | 12.99.1125 | – 10 |

VALUE USB 2.0 Extension Cable, Active with Repeater, A - C

Active USB 2.0 extension cable with Type C connector and Type A socket for connecting a MacBook/Ultrabook to an external hard disk (SSD/HDD) or a printer.

- Supports USB 2.0
- The cable extends the distance of a USB 2.0 device by up to 20 m
- Meets USB 2.0 specifications and works with low-speed, high-speed and full-speed devices
- Hot-pluggable
- Cable length: 10 / 15 / 20 m



Order-No. – P.U.

|  |            |      |
|--|------------|------|
| VALUE USB 2.0 Extension Cable, Active with Repeater, A - C, 10 m | 12.99.1112 | – 10 |
| VALUE USB 2.0 Extension Cable, Active with Repeater, A - C, 15 m | 12.99.1113 | – 10 |
| VALUE USB 2.0 Extension Cable, Active with Repeater, A - C, 20 m | 12.99.1114 | – 10 |





### ROLINE USB 2.0 Hub with Repeater

This hub with an active repeater cable extends the distance between the hub and the computer up to 12 m.

With its unique design, this hub can lock to USB 2.0 Active Repeater Cable 12.04.1086 by clipping- which offers another 12 m of length- between USB A Male and Female end. With up to 5 of this hub & USB Active Repeater Cables chained together, you can reach for a maximum distance up to 60 meters.

- 4x USB 2.0 ports
- Full compliance with USB 2.0 / 1.1 specification
- Plug & play, no additional drivers required
- Cable length: 12 m
- Housing dimensions: 81.7 x 41 x 16.7 mm
- Connectors: 1x USB Type A Male and 4x USB Type A Female
- Supports Windows
- Contents: Cable

**roline**<sup>®</sup>  
Designed for Professionals

Order-No. – P.U.

ROLINE USB 2.0 Hub, 4 Ports, with Repeater, 12.0 m

12.04.1085 – 10

ROLINE USB 2.0 Active Repeater Cable for 12.04.1085, 12.0 m

12.04.1086 – 10



### VALUE USB 1.1 Extender over RJ-45

- Allows you to extend the connection to a USB peripheral device up to 45 meters by using a Cat.5e/6 patch cable
- Applications: e.g. WEB camera, surveillance camera, scanner, printer
- Compliant with USB 1.1
- Supports full-speed (12 Mbit/s) or low-speed (1.5 Mbit/s) USB devices
- Supports Windows 98SE/2000/XP/Vista
- Contents: Master unit (RJ-45 Female; USB Type A Male with 10 cm cable), remote unit (RJ-45 Female; USB Type A Female with 10 cm cable)
- Contents: Master Unit, Remote Unit

**Value**<sup>®</sup>

Order-No. – P.U.

VALUE USB 1.1 Extender over RJ-45

12.99.1121 – 10



### VALUE USB 2.0 Extender over RJ-45, max. 50m

Use this USB 2.0 extender in combination with a RJ45 cable to extend your USB connection up to 50m!

- Extend your USB port over RJ-45 (up to 50 meters)
- For example to connect an USB printer in another room with your PC
- Supports USB 2.0, downwards compatible with USB 1.1/1.0
- Hot plug
- No additional software for extender required
- Connection via Cat.5e/Cat. 6 Twisted Pair cable
- Transmitter: USB A Male connector/ RJ-45, Receiver: USB A Female connector/RJ-45
- Supports data rates up to 480Mbit/s

- Contents: Master unit (RJ-45 Female; USB Type A Male with 21 cm cable), remote unit (RJ-45 Female; USB Type A Female)

**Value**<sup>®</sup>

Order-No. – P.U.

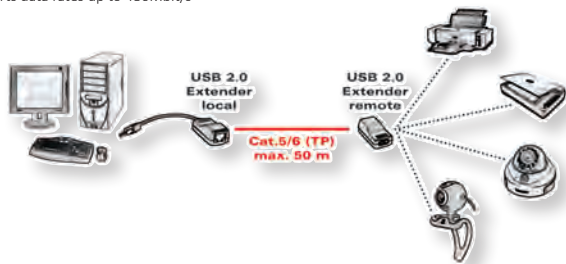
VALUE USB 2.0 Extender over RJ-45, max. 50m

12.99.1123 – 5



### ROLINE USB 2.0 Extender over RJ-45, max. 50m

- Extend your USB port over RJ-45 (up to 50 meters)
- For example to connect a USB printer in another room with your PC
- Supports USB 2.0, downwards compatible with USB 1.1/1.0
- Hot plug
- No additional software for extender required
- Connection via Cat.5e/Cat. 6 Twisted Pair cable
- Supports data rates up to 480Mbit/s



|   | Order-No.    | P.U. |
|---|--------------|------|
| ROLINE USB 2.0 Extender over RJ-45, max. 50m              | A 12.04.1100 | - 5  |
| ROLINE USB 2.0 Extender over RJ-45, PoC, 1x USB, max. 50m | B 12.04.1102 | - 4  |
| ROLINE USB 2.0 Extender over RJ-45, PoC, 4x USB, max. 50m | C 12.04.1101 | - 4  |

**roline**<sup>®</sup>  
Designed for Professionals

### ROLINE USB 3.2 Gen 1 Hub with Repeater

This hub with an active repeater cable extends the distance between the hub and the computer up to 10 m.

- 4x USB 3.2 Gen 1 ports
- Full compliance with USB 2.0 / 1.1 specification
- Plug & play, no additional drivers required
- USB Bus powered
- Cable length: 10 m
- Housing dimensions: 81 x 40 x 17 mm
- Connectors: 1x USB Type A Male and 4x USB Type A Female
- Supports Windows XP / 7
- Power adapter (5V/3.5A, included) for heavy power consumption devices
- Contents: Cable



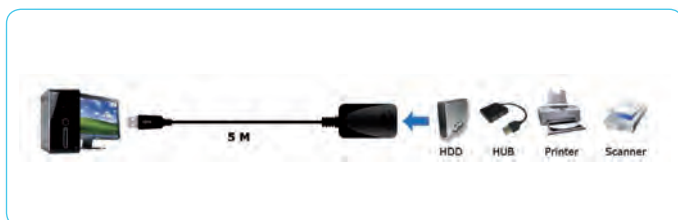
|  | Order-No.  | P.U. |
|--|------------|------|
| ROLINE USB 3.2 Gen 1 Hub, 4 Ports, with Repeater, 10,0 m | 12.04.1098 | - 4  |

**roline**<sup>®</sup>  
Designed for Professionals

### ROLINE USB 3.2 Gen 1 Active Repeater Cable

Extends the connection distance of an external HDD, hub, printer, scanner or other USB 3 device to your computer by 5 meters.

- Active USB extension cable - ensures good signal quality
- Compliant with SuperSpeed USB 3.2 Gen 1, USB 2.0, USB 1.1
- Supports data rates up to 5 Gbit/s
- Plug & play
- Supported Operating Systems: Windows 2000/XP/Vista/7, Mac OS
- Contents: USB Active repeater cable



|  | Order-No.  | P.U. |
|--|------------|------|
| ROLINE USB 3.2 Gen 1 Active Repeater Cable, black, 5.0 m | 12.04.1096 | - 8  |

**roline**<sup>®</sup>  
Designed for Professionals

### ROLINE USB 3.2 Gen 1 Active Repeater Cable, A - A

Active USB 3.0 / USB 3.2 Gen 1 extension cable - for data rates up to 5 Gbit/s over a distance of 20m!

- Active USB extension cable - ensures good signal quality
- Compliant with SuperSpeed USB 3.2 Gen 1, USB 2.0, USB 1.1
- Supports data rates up to 5 Gbit/s
- Plug & play
- Supported Operating Systems: Windows 2000 / XP / Vista / 7 / 8 / 10, Mac OS
- Contents: USB 3.2 Gen 1 Active repeater cable



Order-No. – P.U.

|   |                |
|---|----------------|
| ROLINE USB 3.2 Gen 1 Active Repeater Cable, black, 10 m | 12.04.1070 – 5 |
| ROLINE USB 3.2 Gen 1 Active Repeater Cable, black, 15 m | 12.04.1071 – 5 |
| ROLINE USB 3.2 Gen 1 Active Repeater Cable, black, 20 m | 12.04.1072 – 5 |

**roline**<sup>®</sup>  
Designed for Professionals



### ROLINE USB 3.2 Gen 1 Active Repeater Cable, C - A

Active USB 3.0 / USB 3.2 Gen 1 extension cable - for data rates up to 5Gbit/s over a distance of up to 20m!

- Active USB 3.0 / USB 3.2 Gen 1 extension cable, 5 / 10 / 15 or 20 meter length
  - For hubs, USB sticks, external hard drives, printers or other devices that are to be connected via USB
  - Automatic determination of the optimal transmission rate
  - Compatible with USB 3.0 / USB 3.2 Gen 1, USB 2.0, USB 1.1
  - Supports data rates of up to 5 Gbps
  - Plug & play
  - Incl. external power supply (5V 1A DC)
- Note: According to the current specifications of USB.org we have adapted the technical data of our USB 3 products. The new designation for the already known USB specifications has been changed to USB 3.2 Gen 1 (formerly USB 3.0 / USB 3.1 Gen 1) and USB 3.2 Gen 2 (formerly USB 3.1 / USB 3.1 Gen 2).
- Contents: USB 3.0 Repeater cable, USB power supply cable

Order-No. – P.U.

|   |                 |
|---|-----------------|
| ROLINE USB 3.2 Gen 1 Active Repeater Cable, black, 5 m  | 12.04.1065 – 10 |
| ROLINE USB 3.2 Gen 1 Active Repeater Cable, black, 10 m | 12.04.1066 – 5  |
| ROLINE USB 3.2 Gen 1 Active Repeater Cable, black, 15 m | 12.04.1067 – 5  |
| ROLINE USB 3.2 Gen 1 Active Repeater Cable, black, 20 m | 12.04.1068 – 5  |

**roline**<sup>®</sup>  
Designed for Professionals



### ROLINE USB 3.2 Gen 1 Extension Cable, AOC, A-A, M/F, up to 20m

Active optical USB 3.0 / USB 3.2 Gen 1 extension cable - with data transfer rates of up to 5Gbit/s at up to 20m distance!

- Active USB extension over up to 20 meters
- Small cable cross section thanks to glass fibre
- Solid metal connector housing
- The extension behaves like a USB hub
- Automatic determination of the optimum transmission rate- the cable supports data rates of up to 5 Gbps
- Optional power supply of the AOC cable via the included USB cable (USB type A to Micro B)

Note: According to the current specifications of USB.org we have adapted the technical data of our USB 3 products. The new designation for the already known USB specifications has been changed to USB 3.2 Gen 1 (formerly USB 3.0 / USB 3.1 Gen 1) and USB 3.2 Gen 2 (formerly USB 3.1 / USB 3.1 Gen 2).

- Contents: AOC USB cable, USB cable for power supply

Order-No. – P.U.

|  |                |
|--|----------------|
| ROLINE USB 3.2 Gen 1 Extension Cable, 1 Port, AOC, M/F, 10 m | 12.04.1075 – 5 |
| ROLINE USB 3.2 Gen 1 Extension Cable, 1 Port, AOC, M/F, 15 m | 12.04.1076 – 5 |
| ROLINE USB 3.2 Gen 1 Extension Cable, 1 Port, AOC, M/F, 20 m | 12.04.1077 – 5 |

**roline**<sup>®</sup>  
Designed for Professionals





**ROLINE USB 3.2 Gen 1 Extension Cable, C-C, M/F, Only Data**

5 Gbit/s

**USB 3.2 Gen 1 extension cable - with data transfer rates of up to 5Gbit/s at up to 5m distance!**

- USB extension over 5 meters
- Automatic determination of the optimum transmission rate- the cable supports data rates of up to 5 Gbps

Note: According to the current specifications of USB.org we have adapted the technical data of our USB 3 products. The new designation for the already known USB specifications has been changed to USB 3.2 Gen 1 (formerly USB 3.0 / USB 3.1 Gen 1) and USB 3.2 Gen 2 (formerly USB 3.1 / USB 3.1 Gen 2).

- Contents: USB cable



| Order-No. – P.U.   |                |
|--|----------------|
| ROLINE USB 3.2 Gen 1 Extension Cable, C-C, M/F, only data, 5 m | 12.04.1105 – 5 |

**VALUE USB 3.2 Gen 1 „DOME“ Cable**

5 Gbit/s

- Brings your computer's USB port directly on your desktop
- Two USB 3.0 / USB 3.2 Gen 1 ports: One for data, one for power/charging
- Supports SuperSpeed USB 3.2 Gen 1 with data rates of up to 5 Gbit/s
- Backwards compatible with USB 2.0, USB 1.1
- Integrated magnet, which allows you to „stick“ it on metal surfaces or furniture

Note: According to the current specifications of USB.org we have adapted the technical data of our USB 3 products. The new designation for the already known USB specifications has been changed to USB 3.2 Gen 1 (formerly USB 3.0 / USB 3.1 Gen 1) and USB 3.2 Gen 2 (formerly USB 3.1 / USB 3.1 Gen 2).



| Order-No. – P.U.                               |                 |
|--|-----------------|
| VALUE USB 3.2 Gen 1 „DOME“ Cable, black, 1.5 m | 11.99.8999 – 12 |

**VALUE USB 3.2 Gen 1 SuperSpeed Cables**

A new major feature of USB 3.0 / USB 3.2 Gen 1 is SuperSpeed bus, which increases the maximum transfer rate to 5.0 Gbit/s. USB 3.2 Gen 1 receptacles are partly compatible with USB 2.0 device plugs for the respective physical form factors. The cables can be used with PCs with the actual Type A F.

- Color: white

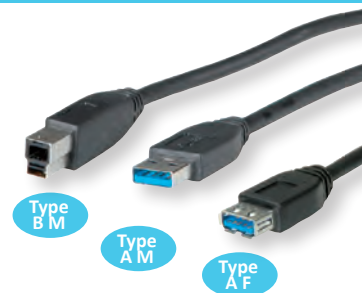


| Order-No. – P.U.                                    |                 |
|---|-----------------|
| VALUE USB 3.2 Gen 1 Cable, A - B, M/M, 0.8 m        | 11.99.8869 – 10 |
| VALUE USB 3.2 Gen 1 Cable, A - B, M/M, 1.8 m        | 11.99.8870 – 50 |
| VALUE USB 3.2 Gen 1 Cable, A - B, M/M, 3.0 m        | 11.99.8871 – 50 |
| VALUE USB 3.2 Gen 1 Cable, A - A, M/M, 1.8 m        | 11.99.8975 – 50 |
| VALUE USB 3.2 Gen 1 Cable, A - A, M/M, 3.0 m        | 11.99.8976 – 50 |
| VALUE USB 3.2 Gen 1 Cable, A - A, M/F, 0.8 m        | 11.99.8977 – 50 |
| VALUE USB 3.2 Gen 1 Cable, A - A, M/F, 1.8 m        | 11.99.8978 – 50 |
| VALUE USB 3.2 Gen 1 Cable, A - Micro B, M/M, 0.15 m | 11.99.8876 – 10 |
| VALUE USB 3.2 Gen 1 Cable, A - Micro B, M/M, 0.8 m  | 11.99.8873 – 10 |
| VALUE USB 3.2 Gen 1 Cable, A - Micro B, M/M, 2.0 m  | 11.99.8875 – 10 |
| VALUE USB 3.2 Gen 1 Cable, A - Micro B, M/M, 3.0 m  | 11.99.8877 – 10 |

**ROLINE USB 3.2 Gen 1 SuperSpeed Cables**

USB 3.0 / USB 3.2 Gen 1 SuperSpeed cables with high quality and improved shielding for transfer rates of up to 5 Gbit/s. USB 3.2 Gen 1 receptacles are partly compatible with USB 2.0 device plugs for the respective physical form factors. The cables can be used with PCs with the actual type A interface. The new USB 3.2 Gen 1 Type B connectors are not downwards compatible.

- Colour: black



| Order-No. – P.U.                                     |                 |
|--|-----------------|
| ROLINE USB 3.2 Gen 1 Cable, A - B, M/M, 0.8 m        | 11.02.8869 – 10 |
| ROLINE USB 3.2 Gen 1 Cable, A - B, M/M, 1.8 m        | 11.02.8870 – 50 |
| ROLINE USB 3.2 Gen 1 Cable, A - B, M/M, 3.0 m        | 11.02.8871 – 50 |
| ROLINE USB 3.2 Gen 1 Cable, A - A, M/M, 1.8 m        | 11.02.8970 – 50 |
| ROLINE USB 3.2 Gen 1 Cable, A - A, M/M, 3.0 m        | 11.02.8971 – 50 |
| ROLINE USB 3.2 Gen 1 Cable, A - A, M/F, 0.8 m        | 11.02.8977 – 50 |
| ROLINE USB 3.2 Gen 1 Cable, A - A, M/F, 1.8 m        | 11.02.8978 – 50 |
| ROLINE USB 3.2 Gen 1 Cable, A - Micro A, M/M, 0.8 m  | 11.02.8872 – 10 |
| ROLINE USB 3.2 Gen 1 Cable, A - Micro A, M/M, 2.0 m  | 11.02.8874 – 10 |
| ROLINE USB 3.2 Gen 1 Cable, A - Micro B, M/M, 0.15 m | 11.02.8876 – 25 |
| ROLINE USB 3.2 Gen 1 Cable, A - Micro B, M/M, 0.8 m  | 11.02.8873 – 10 |
| ROLINE USB 3.2 Gen 1 Cable, A - Micro B, M/M, 2.0 m  | 11.02.8875 – 10 |
| ROLINE USB 3.2 Gen 1 Cable, A - Micro B, M/M, 3.0 m  | 11.02.8877 – 10 |

## VALUE USB 3.2 Gen 1 Cables

The new SuperSpeed specification adds a 5 Gbit/s speed mode that uses a more efficient data encoding and will deliver more than twice the effective data through-put performance of existing SuperSpeed USB over enhanced, fully backward compatible USB connectors and cables.

- High quality cable with improved shielding
- With the new reversible Type C connectors at both ends
- Gold-plated contacts for low wear at high plugging cycles
- Suitable for data transfer rates of up to 5 Gbit/s



**Value**

Order-No. – P.U.

|  |                 |
|--|-----------------|
| VALUE USB 3.2 Gen 1 Cable, A-C, M/M, 0.5 m | 11.99.9010 – 20 |
| VALUE USB 3.2 Gen 1 Cable, A-C, M/M, 1 m   | 11.99.9011 – 10 |
| VALUE USB 3.2 Gen 1 Cable, A-C, M/M, 2 m   | 11.99.9035 – 10 |
| VALUE USB 3.2 Gen 1 Cable, A-C, M/M, 3 m   | 11.99.9036 – 10 |

## ROLINE USB 3.2 Gen 1 Cables

The new SuperSpeed specification adds a 5 Gbit/s speed mode that uses a more efficient data encoding and will deliver more than twice the effective data through-put performance of existing SuperSpeed USB over enhanced, fully backward compatible USB connectors and cables.

- High quality cable with improved shielding
- With the new reversible Type C connectors at both ends
- Gold-plated contacts for low wear at high plugging cycles
- Suitable for data transfer rates of up to 5 Gbit/s



**roline**  
Designed for Professionals

Order-No. – P.U.

|  |                 |
|--|-----------------|
| ROLINE USB 3.2 Gen 1 Cable, A-C, M/M, black, 0.5 m | 11.02.9010 – 20 |
| ROLINE USB 3.2 Gen 1 Cable, A-C, M/M, black, 1.0 m | 11.02.9011 – 10 |

## VALUE USB 3.2 Gen 2 Cable, PD (Power Delivery) 20V5A, with Emark, C-C

**Full-featured USB 3.2 Gen 2 cable, including TID and with a data transmission rate of up to 10 Gbit/s and full Power Delivery support of up to 20V 5A!**

- High quality cable with improved shielding
- With the new reversible Type C connectors at both ends
- Gold-plated contacts for low wear at high plugging cycles
- Suitable for data transfer rates of up to 10 Gbit/s
- Supports USB Power Delivery to 20V / 5A



**Value**

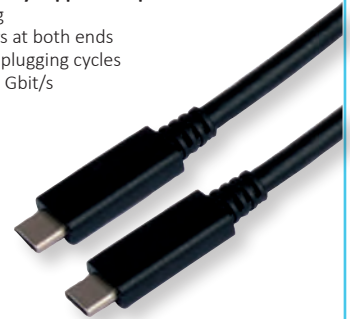
Order-No. – P.U.

|   |                 |
|---|-----------------|
| VALUE USB 3.2 Gen 2 Cable, PD 20V5A, with Emark, C-C, 0.5 m | 11.99.9056 – 20 |
| VALUE USB 3.2 Gen 2 Cable, PD 20V5A, with Emark, C-C, 1.0 m | 11.99.9057 – 10 |

## ROLINE USB 3.2 Gen 2 Cable, PD (Power Delivery) 20V5A, with Emark, C-C

**Full-featured USB 3.2 Gen 2 cable, including TID and with a data transmission rate of up to 10 Gbit/s and full Power Delivery support of up to 20V 5A!**

- High quality cable with improved shielding
- With the new reversible Type C connectors at both ends
- Gold-plated contacts for low wear at high plugging cycles
- Suitable for data transfer rates of up to 10 Gbit/s
- Supports USB Power Delivery to 20V / 5A



**roline**  
Designed for Professionals

Order-No. – P.U.

|  |                 |
|--|-----------------|
| ROLINE USB 3.2 Gen 2 Cable, PD 20V5A, with Emark, C-C, 0.5 m | 11.02.9056 – 20 |
| ROLINE USB 3.2 Gen 2 Cable, PD 20V5A, with Emark, C-C, 1.0 m | 11.02.9057 – 10 |
| ROLINE USB 3.2 Gen 2 Cable, PD 20V5A, with Emark, C-C, 2.0 m | 11.02.9055 – 10 |

## VALUE Cable Compatible USB3.2 Gen2, PD (Power Delivery) 20V3A, with Emark, C-C

**Full-featured USB 3.1 / USB 3.2 Gen 2 cable with a data transmission rate of up to 10 Gbit/s and full Power Delivery support of up to 60W!**

- High quality USB 3.1 / USB 3.2 Gen 2 cable with improved shielding
- With the new reversible Type C connectors at both ends
- Gold-plated contacts for low wear at high plugging cycles
- Suitable for data transfer rates of up to 10 Gbit/s
- Supports USB Power Delivery to 60W
- Supports video transfer



**Value**



Order-No. – P.U.

|  |                 |
|--|-----------------|
| VALUE Cable Compatible USB3.2 Gen2, PD (Power Delivery) 20V3A, with Emark, C-C, M/M, 3 m | 11.99.9065 – 10 |
| VALUE Cable Compatible USB3.2 Gen2, PD (Power Delivery) 20V3A, with Emark, C-C, M/M, 5 m | 11.99.9066 – 10 |

## ROLINE Cable Compatible USB3.2 Gen2, PD (Power Delivery) 20V5A, with Emark, C-C

**Full-featured USB 3.1 / USB 3.2 Gen 2 cable with a data transmission rate of up to 10 Gbit/s and full Power Delivery support of up to 20V 5A!**

- High quality USB 3.1 / USB 3.2 Gen 2 cable with improved shielding
- With the new reversible Type C connectors at both ends
- Gold-plated contacts for low wear at high plugging cycles
- Suitable for data transfer rates of up to 10 Gbit/s
- Supports USB Power Delivery to 20V / 5A
- Supports video transfer



**roline**  
Designed for Professionals



Order-No. – P.U.

|   |                 |
|---|-----------------|
| ROLINE Cable Compatible USB3.2 Gen2, PD (Power Delivery) 20V5A, with Emark, C-C, M/M, 3 m | 11.02.9065 – 10 |
| ROLINE Cable Compatible USB3.2 Gen2, PD (Power Delivery) 20V5A, with Emark, C-C, M/M, 5 m | 11.02.9066 – 10 |
| ROLINE Cable Compatible USB3.2 Gen2, PD (Power Delivery) 20V5A, with Emark, C-C, M/M, 7 m | 11.02.9067 – 10 |

**ROLINE USB 3.2 Gen 1 Cable, A-C**

5 Gbit/s

**ROLINE USB 3.0 / USB 3.2 Gen 1 silicone cable with data transfer rates of up to 5 Gbit/s. The silicone-sheathed flat cable not only looks great, but also allows extremely flexible usage thanks to its small bending radius.**

- USB 3.0 / USB 3.2 Gen 1 cable in high quality
- With USB Type C and a classic USB Type A plug
- Suitable for data transfer rates of up to 5 Gbit/s
- Rugged aluminum plugs and a flexible, flat silicone cable for optimal durability
- Type: A - C
- Length: 11 cm
- Colour: black

Note: According to the current specifications of USB.org we have adapted the technical data of our USB 3 products. The new designation for the already known USB specifications has been changed to USB 3.2 Gen 1 (formerly USB 3.0 / USB 3.1 Gen 1) and USB 3.2 Gen 2 (formerly USB 3.1 / USB 3.1 Gen 2).



**roline**<sup>®</sup>  
Designed for Professionals

|  | Order-No. – P.U. |
|--|------------------|
| ROLINE USB 3.2 Gen 1 Cable, A-C, M/M, black, 11 cm | 11.02.9014 – 10  |

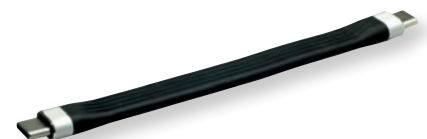
**ROLINE USB 3.2 Gen 2 Cable, PD (Power Delivery) 20V3A, with Emark, C-C, M/M**

10Gbit/s

**ROLINE USB 3.1 / USB 3.2 Gen 2 silicone cable with data transfer rates of up to 10 Gbit/s and support of PD (Power Delivery) at up to 20V3A. The silicone-sheathed flat cable not only looks great, but also allows extremely flexible use thanks to its small bending radius.**

- High quality USB 3.1 / USB 3.2 Gen 2 cable with improved shielding
- With the new reversible Type C connectors at both ends
- Gold-plated contacts for low wear at high plugging cycles
- Suitable for data transfer rates of up to 10 Gbit/s
- Supports USB Power Delivery to 20V / 3A

Note: According to the current specifications of USB.org we have adapted the technical data of our USB 3 products. The new designation for the already known USB specifications has been changed to USB 3.2 Gen 1 (formerly USB 3.0 / USB 3.1 Gen 1) and USB 3.2 Gen 2 (formerly USB 3.1 / USB 3.1 Gen 2).



**roline**<sup>®</sup>  
Designed for Professionals

|   | Order-No. – P.U. |
|---|------------------|
| ROLINE USB 3.2 Gen 2 Cable, PD (Power Delivery) 20V3A, with Emark, C-C, M/M, black, 11 cm | 11.02.9054 – 10  |

**ROLINE USB 3.2 Gen 2 Silicone Cable, Emark, C-A, M/F**

10Gbit/s

**ROLINE USB 3.1 / USB 3.2 Gen 2 silicone cable with data transfer rates of up to 10 Gbit/s. The silicone-sheathed flat cable not only looks great, but also allows extremely flexible use thanks to its small bending radius.**

- USB 3.1 / USB 3.2 Gen 2 cable in high quality
- With USB type C / A connectors
- Suitable for data transfer rates of up to 10 Gbit/s
- Rugged aluminum plugs and a flexible, flat silicone cable for optimal durability
- Colour: black

Note: According to the current specifications of USB.org we have adapted the technical data of our USB 3 products. The new designation for the already known USB specifications has been changed to USB 3.2 Gen 1 (formerly USB 3.0 / USB 3.1 Gen 1) and USB 3.2 Gen 2 (formerly USB 3.1 / USB 3.1 Gen 2).



**roline**<sup>®</sup>  
Designed for Professionals

|  | Order-No. – P.U. |
|--|------------------|
| ROLINE USB 3.2 Gen 2 Silicone Cable, Emark, C-A, M/F, black, 11 cm | 11.02.9016 – 20  |
| ROLINE USB 3.2 Gen 2 Silicone Cable, Emark, C-A, M/M, black, 11 cm | 11.02.9017 – 20  |

**VALUE Cable USB 2.0, C – C, 60W**

480Mbit/s

60W  
20V / 3A

- High quality USB 2.0 cable with improved shielding
- With the reversible Type C connectors at both ends
- Gold-plated contacts for low wear at high plugging cycles
- Suitable for data transfer rates of up to 480 Mbit/s
- Supports USB Power Delivery to 20V / 3A (60W)



**Value**<sup>®</sup>

|  | Order-No. – P.U. |
|--|------------------|
| VALUE Cable USB 2.0, C-C, M/M, 60W, white, 1 m | 11.99.8340 – 10  |
| VALUE Cable USB 2.0, C-C, M/M, 60W, white, 2 m | 11.99.8341 – 10  |
| VALUE Cable USB 2.0, C-C, M/M, 60W, white, 3 m | 11.99.8342 – 10  |



## VALUE / ROLINE USB Charging / Data Cables - Overview

- USB-C standards have changed in the past few years which includes an improvement of technology and hardware and the new devices which need faster data and charging support
- Previous versions of USB (1.1 / 2.0 / 3.0) could only handle a lower amount of power, USB-C has changed that.
- The newest type of connection with USB-C connector(s) is able to provide enough power (up to max. 240W / Extended Power Range (EPR) standard- 48V at 5A), that's why laptop charging (for most of the laptops types) will be easy to handle
- For some high power devices the previous standard with maximum of 100W (20V/5A) wasn't sufficient enough – for something like charging a laptop via USB-C connection, it could take a while until the device was fully charged
- The newest USB C cables in this range are to cover the needs of faster data and charging support with a length up to 3m
- Available options (the cable types vary in their specifications and capabilities)
  - lower data transfer with higher/faster charging possibility
  - higher data transfer with lower data transfer possibility
  - higher data transfer + faster charging possibility



**roline**<sup>®</sup>  
Designed for Professionals

**Value**<sup>®</sup>

## Max. Supported Power



## Max. Supported Data Transfer Rates



| Brand        | Order-No. – P.U. | Compliant     | Connector Type | Data Transfer Rates | max. Power [W] | Length [m] | Color | Page |
|--------------|------------------|---------------|----------------|---------------------|----------------|------------|-------|------|
| VALUE        | 11.99.8308 – 10  | USB2.0        | C – C          | 480 Mbit/s          | 100            | 1          | black | 3.17 |
| VALUE        | 11.99.8309 – 10  | USB2.0        | C – C          | 480 Mbit/s          | 100            | 2          | black | 3.17 |
| VALUE        | 11.99.8310 – 10  | USB2.0        | C – C          | 480 Mbit/s          | 100            | 3          | black | 3.17 |
| VALUE        | 11.99.9010 – 10  | USB3.2 Gen1   | A – C          | 5 Gbit/s            | 15             | 0.5        | white | 3.14 |
| VALUE        | 11.99.9011 – 10  | USB3.2 Gen1   | A – C          | 5 Gbit/s            | 15             | 1          | white | 3.14 |
| VALUE        | 11.99.9035 – 10  | USB3.2 Gen1   | A – C          | 5 Gbit/s            | 15             | 2          | white | 3.14 |
| VALUE        | 11.99.9036 – 10  | USB3.2 Gen1   | A – C          | 5 Gbit/s            | 15             | 3          | white | 3.14 |
| ROLINE       | 11.02.9010 – 10  | USB3.2 Gen1   | A – C          | 5 Gbit/s            | 15             | 0.5        | black | 3.14 |
| ROLINE       | 11.02.9011 – 10  | USB3.2 Gen1   | A – C          | 5 Gbit/s            | 15             | 1          | black | 3.14 |
| ROLINE GREEN | 11.44.9010 – 10  | USB3.2 Gen1   | A – C          | 5 Gbit/s            | 15             | 0.5        | black | 3.31 |
| ROLINE GREEN | 11.44.9011 – 10  | USB3.2 Gen1   | A – C          | 5 Gbit/s            | 15             | 1          | black | 3.31 |
| VALUE        | 11.99.9056 – 20  | USB3.2 Gen2   | C – C          | 10 Gbit/s           | 100            | 0.5        | white | 3.14 |
| VALUE        | 11.99.9057 – 10  | USB3.2 Gen2   | C – C          | 10 Gbit/s           | 100            | 1          | white | 3.14 |
| ROLINE       | 11.02.9056 – 20  | USB3.2 Gen2   | C – C          | 10 Gbit/s           | 100            | 0.5        | black | 3.14 |
| ROLINE       | 11.02.9057 – 10  | USB3.2 Gen2   | C – C          | 10 Gbit/s           | 100            | 1          | black | 3.14 |
| ROLINE       | 11.02.9055 – 10  | USB3.2 Gen2   | C – C          | 10 Gbit/s           | 100            | 2          | black | 3.14 |
| ROLINE GREEN | 11.44.9056 – 20  | USB3.2 Gen2   | C – C          | 10 Gbit/s           | 100            | 0.5        | black | 3.31 |
| ROLINE GREEN | 11.44.9057 – 10  | USB3.2 Gen2   | C – C          | 10 Gbit/s           | 100            | 1          | black | 3.31 |
| ROLINE       | 11.02.9070 – 10  | USB3.2 Gen2x2 | C – C          | 20 Gbit/s           | 100            | 0.5        | black | 3.17 |
| ROLINE       | 11.02.9071 – 10  | USB3.2 Gen2x2 | C – C          | 20 Gbit/s           | 100            | 1          | black | 3.17 |
| ROLINE       | 11.02.9072 – 10  | USB3.2 Gen2x2 | C – C          | 20 Gbit/s           | 100            | 1.5        | black | 3.17 |
| ROLINE GREEN | 11.44.9070 – 10  | USB3.2 Gen2x2 | C – C          | 20 Gbit/s           | 100            | 0.5        | black | 3.18 |
| ROLINE GREEN | 11.44.9071 – 10  | USB3.2 Gen2x2 | C – C          | 20 Gbit/s           | 100            | 1          | black | 3.18 |
| ROLINE GREEN | 11.44.9072 – 10  | USB3.2 Gen2x2 | C – C          | 20 Gbit/s           | 100            | 1.5        | black | 3.18 |
| ROLINE GREEN | 11.44.9073 – 10  | USB3.2 Gen2x2 | C – C          | 20 Gbit/s           | 100            | 2          | black | 3.18 |
| ROLINE       | 11.02.9075 – 10  | USB3.2 Gen2x2 | C – C (90°)    | 20 Gbit/s           | 100            | 1          | black | 3.17 |
| ROLINE       | 11.02.9076 – 10  | USB3.2 Gen2x2 | C – C          | 20 Gbit/s           | 240            | 1          | black | 3.17 |
| ROLINE       | 11.02.9077 – 10  | USB3.2 Gen2x2 | C – C          | 20 Gbit/s           | 240            | 1.5        | black | 3.17 |

## VALUE Cables USB 2.0, with Emark, C-C

480Mbit/s

100W  
20V / 5A

- High quality USB 2.0 cable with improved shielding
- With the reversible Type C connectors at both ends
- Gold-plated contacts for low wear at high plugging cycles
- Suitable for data transfer rates of up to 480 Mbit/s
- Supports USB Power Delivery to 20V / 5A

Note: According to the current specifications of USB.org we have adapted the technical data of our USB 3 products. The new designation for the already known USB specifications has been changed to USB 3.2 Gen 1 (formerly USB 3.0 / USB 3.1 Gen 1) and USB 3.2 Gen 2 (formerly USB 3.1 / USB 3.1 Gen 2).

|   | Order-No. – P.U. |
|---|------------------|
| VALUE Cable USB 2.0, C-C, M/M, 100W, black, 1 m | 11.99.8308 – 10  |
| VALUE Cable USB 2.0, C-C, M/M, 100W, black, 2 m | 11.99.8309 – 10  |
| VALUE Cable USB 2.0, C-C, M/M, 100W, black, 3 m | 11.99.8310 – 10  |




## ROLINE USB 3.2 Gen 2x2 Cables, with Emark, C-C

20Gbit/s

100W  
20V / 5A

**USB 3.2 Gen 2x2 cable with up to 20 Gbit/s speed mode that uses a more efficient data encoding and will deliver more than twice the effective data throughput performance of existing, fully backward compatible USB connectors and cables.**

- High quality USB 3.1 / USB 3.2 Gen 2x2 cable with improved shielding
- With the reversible Type C connectors at both ends
- Gold-plated contacts for low wear at high plugging cycles
- Suitable for data transfer rates of up to 20 Gbit/s
- Supports USB Power Delivery to 20V / 5A

|  | Order-No. – P.U. |
|--|------------------|
| ROLINE USB 3.2 Gen 2x2 Cable, PD (Power Delivery) 20V5A, with Emark, C-C, M/M, 0.5 m | 11.02.9070 – 10  |
| ROLINE USB 3.2 Gen 2x2 Cable, PD (Power Delivery) 20V5A, with Emark, C-C, M/M, 1 m   | 11.02.9071 – 10  |
| ROLINE USB 3.2 Gen 2x2 Cable, PD (Power Delivery) 20V5A, with Emark, C-C, M/M, 1.5 m | 11.02.9072 – 10  |

Note: According to the current specifications of USB.org we have adapted the technical data of our USB 3 products. The new designation for the already known USB specifications has been changed to USB 3.2 Gen 1 (formerly USB 3.0 / USB 3.1 Gen 1) and USB 3.2 Gen 2 (formerly USB 3.1 / USB 3.1 Gen 2).



Designed for Professionals



## ROLINE USB 3.2 Gen 2x2 Cables, w. Emark, C-C, 1x 90° angled

20Gbit/s

100W  
20V / 5A

**USB 3.2 Gen 2x2 cable with up to 20 Gbit/s speed mode that uses a more efficient data encoding and will deliver more than twice the effective data throughput performance of existing, fully backward compatible USB connectors and cables.**

- High quality USB 3.1 / USB 3.2 Gen 2x2 cable with improved shielding
- With the reversible Type C connectors at both ends
- 1x Type C male connector (L-Shape, 90° angled)
- Gold-plated contacts for low wear at high plugging cycles
- Suitable for data transfer rates of up to 20 Gbit/s
- Supports USB Power Delivery to 20V / 5A

|  | Order-No. – P.U. |
|--|------------------|
| ROLINE USB 3.2 Gen 2x2 Cable, PD (Power Delivery) 20V5A, with Emark, C-C, M/M, 1x 90° angled, 20 Gbit/s, 1 m | 11.02.9075 – 10  |

Note: According to the current specifications of USB.org we have adapted the technical data of our USB 3 products. The new designation for the already known USB specifications has been changed to USB 3.2 Gen 1 (formerly USB 3.0 / USB 3.1 Gen 1) and USB 3.2 Gen 2 (formerly USB 3.1 / USB 3.1 Gen 2).



Designed for Professionals



## ROLINE USB 3.2 Gen2x2 Cables, w. Emark, C-C

20Gbit/s

240W  
48V / 5A

- High quality USB 3.2 Gen 2x2 cable with improved shielding
- With the reversible Type C connectors at both ends
- Gold-plated contacts for low wear at high plugging cycles
- Suitable for data transfer rates of up to 20 Gbit/s
- Supports USB Power Delivery to 48V / 5A

Note: According to the current specifications of USB.org we have adapted the technical data of our USB 3 products. The new designation for the already known USB specifications has been changed to USB 3.2 Gen 1 (formerly USB 3.0 / USB 3.1 Gen 1) and USB 3.2 Gen 2 (formerly USB 3.1 / USB 3.1 Gen 2).

|  | Order-No. – P.U. |
|--|------------------|
| ROLINE Cable USB3.2 Gen2x2, C-C, M/M, 240W, black, 1 m   | 11.02.9076 – 10  |
| ROLINE Cable USB3.2 Gen2x2, C-C, M/M, 240W, black, 1.5 m | 11.02.9077 – 10  |



Designed for Professionals



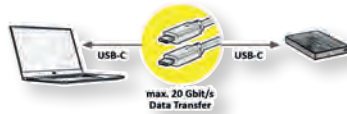
### ROLINE USB 3.2 Gen 2x2 Cable, with Emark, C – C

20Gbit/s

100W  
20V / 5A

USB 3.2 Gen 2x2 cable with up to 20 Gbit/s speed mode that uses a more efficient data encoding and will deliver more than twice the effective data through-put performance of existing, fully backward compatible USB connectors and cables.

- High quality USB 3.1 / USB 3.2 Gen 2x2 cable with improved shielding
- With the reversible Type C connectors at both ends
- Gold-plated contacts for low wear at high plugging cycles
- Suitable for data transfer rates of up to 20 Gbit/s
- Supports USB Power Delivery to 20V / 5A



Order-No. – P.U.

|  |            |      |
|--|------------|------|
| ROLINE USB 3.2 Gen 2x2 Cable, 20 Gbit/s, with Emark, C-C, M/M, 100W, 0.5 m | 11.44.9070 | – 10 |
|--|------------|------|

|  |            |      |
|--|------------|------|
| ROLINE USB 3.2 Gen 2x2 Cable, 20 Gbit/s, with Emark, C-C, M/M, 100W, 1 m | 11.44.9071 | – 10 |
|--|------------|------|

|  |            |      |
|--|------------|------|
| ROLINE USB 3.2 Gen 2x2 Cable, 20 Gbit/s, with Emark, C-C, M/M, 100W, 1.5 m | 11.44.9072 | – 10 |
|--|------------|------|

|  |            |      |
|--|------------|------|
| ROLINE USB 3.2 Gen 2x2 Cable, 20 Gbit/s, with Emark, C-C, M/M, 100W, 2 m | 11.44.9073 | – 10 |
|--|------------|------|

### ROLINE USB2.0 Y - Splitter Charging Cable, Type C Connectors, C – C, max. 100W

100W  
20V / 5A

- Y- USB splitter allows simultaneous charging of two different devices, such as a notebook, smartphone/tablet...
- Fully shielded cable with durable, braided flexible jacket
- Connectors: 1x USB type C, 2x USB type C
- Length: 1.83m (1.5m + 0.33m)

Note: According to the current specifications of USB.org we have adapted the technical data of our USB 3 products. The new designation for the already known USB specifications has been changed to USB 3.2 Gen 1 (formerly USB 3.0 / USB 3.1 Gen 1) and USB 3.2 Gen 2 (formerly USB 3.1 / USB 3.1 Gen 2).



Designed for Professionals

Order-No. – P.U.

|  |            |      |
|--|------------|------|
| ROLINE USB2.0 Y - Splitter Charging Cable, Type C Connectors, C-C, M/M, max. 100W, black, 1.85 m | 11.02.8308 | – 10 |
|--|------------|------|

### VALUE Cable USB4 Gen3x2, with Emark, C – C

20Gbit/s

40Gbit/s

100W  
20V / 5A

High quality USB 4 Gen 3x2 cable with the reversible USB-C connector on both ends for data transfer rates of up to 40 Gbit/s and USB Power Delivery up to 20V / 5A.

- High quality USB4 Gen 3 cable with improved shielding
- With the reversible Type C connectors at both ends
- Gold-plated contacts for low wear at high plugging cycles
- Suitable for data transfer rates of up to 40 Gbit/s
- Supports USB Power Delivery to 20V / 5A



Order-No. – P.U.

|   |            |      |
|---|------------|------|
| VALUE Cable USB4 Gen3x2, 40Gbit/s, w.Emark, C-C, M/M, 100W, 0.5 m | 11.99.9091 | – 10 |
|---|------------|------|

|   |            |      |
|---|------------|------|
| VALUE Cable USB4 Gen3x2, 40Gbit/s, w.Emark, C-C, M/M, 100W, 0.8 m | 11.99.9092 | – 10 |
|---|------------|------|

|   |            |      |
|---|------------|------|
| VALUE Cable USB4 Gen3x2, 40Gbit/s, w.Emark, C-C, M/M, 100W, 1 m | 11.99.9082 | – 10 |
|---|------------|------|

|   |            |      |
|---|------------|------|
| VALUE Cable USB4 Gen2x2, 20Gbit/s, w.Emark, C-C, M/M, 100W, 2 m | 11.99.9083 | – 10 |
|---|------------|------|

### ROLINE Cable USB4 Gen3x2, with Emark, C – C

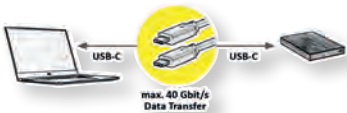
20Gbit/s

40Gbit/s

100W  
20V / 5A

High quality USB 4 Gen 3x2 cable with the reversible USB-C connector on both ends for data transfer rates of up to 40 Gbit/s and USB Power Delivery up to 20V / 5A.

- High quality USB4 Gen 3 cable with improved shielding
- With the reversible Type C connectors at both ends
- Gold-plated contacts for low wear at high plugging cycles
- Suitable for data transfer rates of up to 40 Gbit/s
- Supports USB Power Delivery to 20V / 5A



Designed for Professionals

Order-No. – P.U.

|   |            |      |
|---|------------|------|
| ROLINE Cable USB4 Gen3x2, with Emark, C-C, M/M, 100W, 0.5 m | 11.02.9091 | – 10 |
|---|------------|------|

|   |            |      |
|---|------------|------|
| ROLINE Cable USB4 Gen3x2, with Emark, C-C, M/M, 100W, 0.8 m | 11.02.9092 | – 10 |
|---|------------|------|

|   |            |      |
|---|------------|------|
| ROLINE Cable USB4 Gen3x2, with Emark, C-C, M/M, 100W, 1 m | 11.02.9082 | – 10 |
|---|------------|------|

|   |            |      |
|---|------------|------|
| ROLINE Cable USB4 Gen2x2, with Emark, C-C, M/M, 100W, 2 m | 11.02.9083 | – 10 |
|---|------------|------|



VALUE / ROLINE USB Charging / Data Cables - Overview

- USB-C standards have changed in the past few years which includes an improvement of technology and hardware and the new devices which need faster data and charging support
- Previous versions of USB (1.1 / 2.0 / 3.0) could only handle a lower amount of power, USB-C has changed that.
- The newest type of connection with USB-C connector(s) is able to provide enough power (up to max. 240W / Extended Power Range (EPR) standard- 48V at 5A), that's why laptop charging (for most of the laptops types) will be easy to handle
- For some high power devices the previous standard with maximum of 100W (20V/5A) wasn't sufficient enough – for something like charging a laptop via USB-C connection, it could take a while until the device was fully charged
- The newest USB C cables in this range are to cover the needs of faster data and charging support with a length up to 3m
- Available options (the cable types vary in their specifications and capabilities)
  - lower data transfer with higher/faster charging possibility
  - higher data transfer with lower data transfer possibility
  - higher data transfer + faster charging possibility



Max. Supported Power

15W 5V / 3A    100W 20V / 5A    240W 48V / 5A

Max. Supported Data Transfer Rates

480Mbit/s    5 Gbit/s    10Gbit/s    20Gbit/s    40Gbit/s    80Gbit/s

| Brand  | Order-No. – P.U. | Compliant               | Connector Type | Data Transfer Rates | max. Power [W] | Length [m] | Color | Page |
|--------|------------------|-------------------------|----------------|---------------------|----------------|------------|-------|------|
| VALUE  | 11.99.9091-10    | USB4 Gen3x2             | C – C          | 40 Gbit/s           | 100            | 0.5        | black | 3.18 |
| VALUE  | 11.99.9092-10    | USB4 Gen3x2             | C – C          | 40 Gbit/s           | 100            | 0.8        | black | 3.18 |
| VALUE  | 11.99.9082-10    | USB4 Gen3x2             | C – C          | 40 Gbit/s           | 100            | 1          | black | 3.18 |
| VALUE  | 11.99.9083-10    | USB4 Gen2x2             | C – C          | 20 Gbit/s           | 100            | 2          | black | 3.18 |
| ROLINE | 11.02.9091-10    | USB4 Gen3x2             | C – C          | 40 Gbit/s           | 100            | 0.5        | black | 3.18 |
| ROLINE | 11.02.9092-10    | USB4 Gen3x2             | C – C          | 40 Gbit/s           | 100            | 0.8        | black | 3.18 |
| ROLINE | 11.02.9082-10    | USB4 Gen3x2             | C – C          | 40 Gbit/s           | 100            | 1          | black | 3.18 |
| ROLINE | 11.02.9083-10    | USB4 Gen2x2             | C – C          | 20 Gbit/s           | 100            | 2          | black | 3.18 |
| VALUE  | 11.99.9088-10    | USB4 Gen3x2             | C – C          | 40 Gbit/s           | 240            | 0.5        | black | 3.20 |
| VALUE  | 11.99.9089-10    | USB4 Gen3x2             | C – C          | 40 Gbit/s           | 240            | 0.8        | black | 3.20 |
| VALUE  | 11.99.9086-10    | USB4 Gen3x2             | C – C          | 40 Gbit/s           | 240            | 1          | black | 3.20 |
| VALUE  | 11.99.9087-10    | USB4 Gen2x2             | C – C          | 20 Gbit/s           | 240            | 2          | black | 3.20 |
| ROLINE | 11.02.9100-5     | USB4 Gen3x2             | C – C          | 40 Gbit/s           | 240            | 0.5        | black | 3.20 |
| ROLINE | 11.02.9101-5     | USB4 Gen3x2             | C – C          | 40 Gbit/s           | 240            | 0.8        | black | 3.20 |
| ROLINE | 11.02.9104-10    | USB4 Gen3x2             | C – C          | 40 Gbit/s           | 240            | 1          | black | 3.20 |
| ROLINE | 11.02.9105-10    | USB4 Gen2x2             | C – C          | 20 Gbit/s           | 240            | 2          | black | 3.20 |
| ROLINE | 11.02.9078-10    | USB4 Gen3x2             | C – C          | 40 Gbit/s           | 100            | 0.12       | black | 3.20 |
| ROLINE | 11.02.9079-10    | USB4 Gen3x2             | C – C          | 40 Gbit/s           | 100            | 0.12       | black | 3.20 |
| VALUE  | 11.99.9085-10    | USB4 Gen3x2             | C – C          | 40 Gbit/s           | 100            | 0.5        | black | 3.20 |
| ROLINE | 11.02.9110-10    | Thunderbolt™ 5          | C – C          | 80 Gbit/s           | 100            | 0.5        | black | 3.42 |
| ROLINE | 11.02.9111-10    | Thunderbolt™ 5          | C – C          | 80 Gbit/s           | 100            | 0.8        | black | 3.42 |
| ROLINE | 11.02.9112-10    | Thunderbolt™ 5          | C – C          | 80 Gbit/s           | 100            | 1          | black | 3.42 |
| ROLINE | 11.02.9043-10    | Thunderbolt™ 4          | C – C          | 40 Gbit/s           | 100            | 0.5        | black | 3.42 |
| ROLINE | 11.02.9044-10    | Thunderbolt™ 4          | C – C          | 40 Gbit/s           | 100            | 0.8        | black | 3.42 |
| ROLINE | 11.02.9046-10    | Thunderbolt™ 4          | C – C          | 40 Gbit/s           | 100            | 1          | black | 3.42 |
| ROLINE | 11.02.9047-10    | Thunderbolt™ 4 / active | C – C          | 40 Gbit/s           | 100            | 1.5        | black | 3.42 |
| ROLINE | 11.02.9048-10    | Thunderbolt™ 4 / active | C – C          | 40 Gbit/s           | 100            | 2          | black | 3.42 |

## VALUE Cable USB4 Gen3x2, with Emark, C-C, M/M, 240W

20Gbit/s

40Gbit/s

240W  
48V / 5A

High quality USB 4 Gen 3x2 cable with the reversible USB-C connector on both ends for data transfer rates of up to 40 Gbit/s and USB Power Delivery up to 48V / 5A (240 W).

- High quality USB4 Gen 3x2 cable with improved shielding
- With the reversible Type C connectors at both ends
- Gold-plated contacts for low wear at high plugging cycles
- Suitable for data transfer rates of up to 40 Gbit/s
- Supports USB Power Delivery to 48V / 5A

The major benefits of the USB4 includes faster transfer speeds (up to 40 Gbit/s), a better management of video bandwidth (using a process called „protocol tunneling“ that sends DisplayPort, PCIe and USB packets at the same time while allocating bandwidth accordingly) and optional compatibility with Thunderbolt 3 products.



Order-No. – P.U.

|  |                 |
|--|-----------------|
| VALUE Cable USB4 Gen3x2, with Emark, C-C, M/M, 240W, 0.5 m | 11.99.9088 – 10 |
| VALUE Cable USB4 Gen3x2, with Emark, C-C, M/M, 240W, 0.8 m | 11.99.9089 – 10 |
| VALUE Cable USB4 Gen3x2, with Emark, C-C, M/M, 240W, 1 m   | 11.99.9086 – 10 |
| VALUE Cable USB4 Gen2x2, with Emark, C-C, M/M, 240W, 2 m   | 11.99.9087 – 10 |

## ROLINE Cable USB4 Gen3x2, with Emark, C-C, M/M, 240W

20Gbit/s

40Gbit/s

240W  
48V / 5A

High quality USB 4 Gen 3x2 cable with the reversible USB-C connector on both ends for data transfer rates of up to 40 Gbit/s and USB Power Delivery up to 48V / 5A (240 W).

- High quality USB4 Gen 3x2 cable with improved shielding
- With the reversible Type C connectors at both ends
- Gold-plated contacts for low wear at high plugging cycles
- Suitable for data transfer rates of up to 40 Gbit/s
- Supports USB Power Delivery to 48V / 5A

The major benefits of the USB4 includes faster transfer speeds (up to 40 Gbit/s), a better management of video bandwidth (using a process called „protocol tunneling“ that sends DisplayPort, PCIe and USB packets at the same time while allocating bandwidth accordingly) and optional compatibility with Thunderbolt 3 products.



Order-No. – P.U.

|   |                 |
|---|-----------------|
| ROLINE Cable USB4 Gen3x2, with Emark, C-C, M/M, 240W, 0.5 m | 11.02.9100 – 5  |
| ROLINE Cable USB4 Gen3x2, with Emark, C-C, M/M, 240W, 0.8 m | 11.02.9101 – 5  |
| ROLINE Cable USB4 Gen3x2, with Emark, C-C, M/M, 240W, 1 m   | 11.02.9104 – 10 |
| ROLINE Cable USB4 Gen2x2, with Emark, C-C, M/M, 240W, 2 m   | 11.02.9105 – 10 |

## ROLINE Cable USB4 Gen3x2 / 2x2, with Emark, C-C, 240W

20Gbit/s

40Gbit/s

240W  
48V / 5A

High quality USB 4 Gen 3x2 cable with the reversible USB-C connector on both ends for data transfer rates of up to 40 Gbit/s and USB Power Delivery up to 48V / 5A (240 W).

- High quality USB4 Gen 3x2 cable with improved shielding
- With the reversible Type C connectors at both ends
- Gold-plated contacts for low wear at high plugging cycles
- Suitable for data transfer rates of up to 40 Gbit/s
- Supports USB Power Delivery to 48V / 5A

The major benefits of the USB4 includes faster transfer speeds (up to 40 Gbit/s), a better management of video bandwidth (using a process called „protocol tunneling“ that sends DisplayPort, PCIe and USB packets at the same time while allocating bandwidth accordingly) and optional compatibility with Thunderbolt 3 products.



Order-No. – P.U.

|  |                 |
|--|-----------------|
| ROLINE Cable USB4 Gen3x2, with Emark, C-C, M/M, 240W, black, 2 m | 11.02.9087 – 10 |
| ROLINE Cable USB4 Gen2x2, with Emark, C-C, M/M, 240W, black, 3 m | 11.02.9088 – 10 |

## ROLINE USB4 Gen3x2 Cable, PD (Power Delivery) 20V5A, with Emark, C-C, flat

40Gbit/s

100W  
20V / 5A

ROLINE USB4 Gen 3x2 silicone cable with data transfer rates of up to 40 Gbit/s and support of PD (Power Delivery) at up to 20V5A. The silicone-sheathed flat cable not only looks great, but also allows extremely flexible use thanks to its small bending radius.

- With USB type C connectors on both sides
- Suitable for data transfer rates of up to 40 Gbit/s
- USB power supply with up to 20V5A
- Rugged aluminum plugs and a flexible, flat silicone cable for optimal durability
- Supports video transfer
- Colour: black

Order-No. – P.U.

|  |                 |
|--|-----------------|
| ROLINE USB4 Gen3x2 Cable, PD (Power Delivery) 20V5A, with Emark, C-C, M/M, 13 cm | 11.02.9078 – 10 |
| ROLINE USB4 Gen3x2 Cable, PD (Power Delivery) 20V5A, with Emark, C-C, M/F, 11 cm | 11.02.9079 – 10 |



**VALUE USB4 Gen 3x2 Cable, PD (Power Delivery) 20V5A, with Emark, C-C, flat**

40Gbit/s

100W  
20V / 5A

The major benefits of the USB4 includes faster transfer speeds (up to 40 Gbit/s), a better management of video bandwidth (using a process called „protocol tunneling“ that sends DisplayPort, PCIe and USB packets at the same time while allocating bandwidth accordingly) and optional compatibility with Thunderbolt 3 products.

- High quality USB4 Gen3x2 cable with improved shielding
- With the reversible Type C connectors at both ends
- Gold-plated contacts for low wear at high plugging cycles
- Suitable for data transfer rates of up to 40 Gbit/s
- Supports USB Power Delivery to 20V / 5A
- **Flat design**



Order-No. – P.U.

VALUE USB4 Gen3x2 Cable, with Emark, C-C, M/M, 40 Gbit/s, flat, 0.5 m

11.99.9085 – 5

**ROLINE Cable USB4 Gen3x2, with Emark, C – C, 240W**

40Gbit/s

240W  
48V / 5A

High quality USB 4 Gen 3x2 cable with the reversible USB-C connector on both ends for data transfer rates of up to 40 Gbit/s and USB Power Delivery up to 48V / 5A (240 W).

- High quality USB4 Gen 3x2 cable with improved shielding
- With the reversible Type C connectors at both ends
- Gold-plated contacts for low wear at high plugging cycles
- Suitable for data transfer rates of up to 40 Gbit/s
- Supports USB Power Delivery to 48V / 5A

The major benefits of the USB4 includes faster transfer speeds (up to 40 Gbit/s), a better management of video bandwidth (using a process called „protocol tunneling“ that sends DisplayPort, PCIe and USB packets at the same time while allocating bandwidth accordingly) and optional compatibility with Thunderbolt 3 products.



Order-No. – P.U.

ROLINE Cable USB4 Gen3x2, with Emark, C-C, M/M, 240W, white, 1 m

11.02.8340 – 10

ROLINE Cable USB4 Gen3x2, with Emark, C-C, M/M, 240W, white, 2 m

11.02.8341 – 10

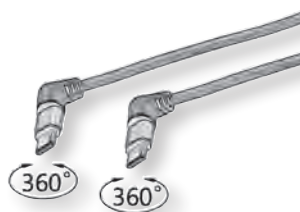
**ROLINE 360° Rotation USB 2.0 Cable, C - C, Spiral**

NEW

480Mbit/s

For connecting smartphones or tablets with USB Type C connection to a wall charger or e.g. for connection of hard disks (HDD/SSD) and other end devices.

- USB 2.0 connection cable with Type C to Type C male/male connector
- Suitable for data transfer rates of up to 480 Mbit/s
- Connectors: 2x USB type C connector
- **Can rotate 360° within the cable bend protection**
- Color: black/red



Order-No. – P.U.

ROLINE 360° Rotation USB 2.0 Cable, C - C, M/M, 60W, Red Black, 1.5 m

11.02.8350 – 10

**ROLINE USB2.0 Retractable Cable Type C, 60W, C-C, M/M**

NEW

480Mbit/s

- High quality USB 2.0 cable with improved shielding
- With the reversible Type C connectors at both ends
- Gold-plated contacts for low wear at high plugging cycles
- Suitable for data transfer rates of up to 480 Mbit/s
- Supports USB Power Delivery to 20V / 3A



Order-No. – P.U.

ROLINE USB 2.0 Retractable Cable Type C, 60W, C-C, M/M, black, 1.2 m

11.02.8420 – 10



## VALUE / ROLINE USB Adapters

Use these adapters/cableadapters to easily connect your smartphone or tablet with USB Micro B with a charger or other suitable devices, like MacBooks, Ultrabooks, Notebooks/Laptops or PCs

**Note:** According to the current specifications of USB.org we have adapted the technical data of our USB 3 products. The new designation for the already known USB specifications has been changed to USB 3.2 Gen 1 (formerly USB 3.0 / USB 3.1 Gen 1) and USB 3.2 Gen 2 (formerly USB 3.1 / USB 3.1 Gen 2).

• Colour: black /white



**roline**  
Designed for Professionals

**Value**



12.99.3192



12.03.2995



12.99.3191



12.99.2997



12.99.9030



12.99.2996 / 12.03.2996



12.99.2998



12.03.2997



12.99.3190



11.99.9030



11.02.9030



11.02.9031



11.02.9015



11.02.9005



12.99.2995



12.03.2945



12.03.2946

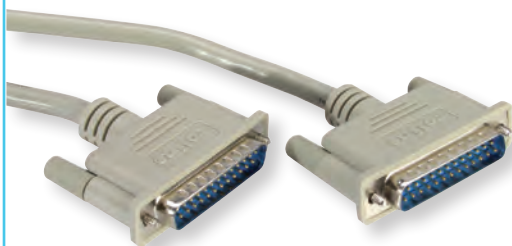


12.03.2947

| Brand  | Order-No. – P.U. | Adapter / Cableadapter | Compliant     | Type               | Connector | Functionality | Length | Color |
|--------|------------------|------------------------|---------------|--------------------|-----------|---------------|--------|-------|
| VALUE  | 12.99.3192 – 25  | Adapter                | USB 2.0       | Micro B - C        | M/F       |               | –      | black |
| ROLINE | 12.03.2995 – 10  | Adapter                | USB 3.2 Gen 1 | A - C              | M/F       |               | –      | black |
| VALUE  | 12.99.3191 – 25  | Adapter                | USB 2.0       | C - Micro B        | M/F       |               | –      | black |
| VALUE  | 12.99.2997 – 20  | Gender Changer         | USB 3.2 Gen 1 | A - A              | F/F       |               | –      | black |
| VALUE  | 12.99.9030 – 25  | Adapter                | USB 3.2 Gen 1 | C - A              | M/F       | OTG           | –      | black |
| VALUE  | 12.99.2996 – 25  | Adapter                | USB 3.2 Gen 2 | C - C              | M/F, 90°  |               | –      | black |
| ROLINE | 12.03.2996 – 10  | Adapter                | USB 3.2 Gen 2 | C - C              | M/F, 90°  |               | –      | white |
| VALUE  | 12.99.2998 – 10  | Adapter                | USB 3.2 Gen 1 | A - C              | M/F       |               | –      | black |
| ROLINE | 12.03.2997 – 10  | Adapter                | USB 3.2 Gen 1 | A - C              | F/M       |               | –      | black |
| VALUE  | 12.99.3190 – 10  | Adapter                | USB 2.0       | C - Micro B        | M/F       | OTG           | –      | black |
| VALUE  | 11.99.9030 – 25  | Cableadapter           | USB 3.2 Gen 1 | C - A              | M/F       | OTG           | 0.15 m | black |
| ROLINE | 11.02.9030 – 10  | Cable                  | USB 3.2 Gen 1 | C - A              | M/F       | OTG           | 0.15 m | black |
| ROLINE | 11.02.9031 – 10  | Cableadapter           | USB           | C - A              | M/F       | OTG           | 0.15 m | black |
| ROLINE | 11.02.9015 – 10  | Cable                  | USB 3.2 Gen 2 | C - C              | M/F       |               | 0.15 m | black |
| ROLINE | 11.02.9005 – 20  | Cable                  | USB 3.2 Gen 1 | C - Micro B        | M/M       |               | 0.5 m  | black |
| ROLINE | 11.02.9006 – 10  | Cable                  | USB 3.2 Gen 1 | C - Micro B        | M/M       |               | 1 m    | black |
| VALUE  | 12.99.2995 – 25  | Adapter                | USB 2.0       | A - C              | M/F       |               | –      | black |
| ROLINE | 12.03.2945 – 10  | Adapter                | USB 3.2 Gen 2 | 2x C - 2x C        | M/F       |               | –      | black |
| ROLINE | 12.03.2946 – 10  | Adapter                | USB 3.2 Gen 2 | 2x C - 1x C + 1x A | M/F       |               | –      | black |
| ROLINE | 12.03.2947 – 10  | Adapter                | USB 3.2 Gen 2 | 2x C - 2x A        | M/F       |               | –      | black |

## ROLINE RS232 Cables

- Cable with two 25-pole D-Sub connectors
- Connector casing moulded with special plastic for best strain relief
- Very good screening prevents data loss and electromagnetic interference
- Hand locking screws
- Bronze contacts with gold coating
- Connects a switchbox with a computer or two serial interfaces
- 25 lines connected 1:1
- Screen line connected to the cable foil screen and both connectors



|                                  | Order-No. – P.U. |
|----------------------------------|------------------|
| ROLINE RS232 Cable, M - M, 1.8 m | 11.01.3518 – 50  |
| ROLINE RS232 Cable, M - M, 3 m   | 11.01.3530 – 50  |
| ROLINE RS232 Cable, M - M, 4.5 m | 11.01.3545 – 25  |
| ROLINE RS232 Cable, M - M, 6 m   | 11.01.3560 – 25  |
| ROLINE RS232 Cable, M - M, 9 m   | 11.01.3590 – 25  |
| ROLINE RS232 Cable, M - F, 1.8 m | 11.01.3618 – 25  |
| ROLINE RS232 Cable, M - F, 3 m   | 11.01.3630 – 50  |
| ROLINE RS232 Cable, M - F, 4.5 m | 11.01.3645 – 25  |
| ROLINE RS232 Cable, M - F, 6 m   | 11.01.3660 – 25  |
| ROLINE RS232 Cable, M - F, 9 m   | 11.01.3690 – 20  |
| ROLINE RS232 Cable, F - F, 1.8 m | 11.01.3718 – 50  |
| ROLINE RS232 Cable, F - F, 3 m   | 11.01.3730 – 50  |

## ROLINE Parallel Printer Cables

- For printers with Centronics connection
- Cable with 25-pole D-Sub plug and 36-pole Centronics plug
- 25 lines
- Screen line connected with the foil screen and both plugs
- Connector casing moulded with special plastic, for optimal strain reduction, cable break not possible
- Very good screening prevents data loss and electromagnetic interference
- Thumbscrews
- Bronze contacts with gold coating



**Connection list for parallel printer cable**  
 25-pole connector: 1-14|15|16|17|18|19|20|21|22|23|24|25  
 36-pole connector: 1-14|32|31|36|33|19|21|23|25|27|29|30

|  | Order-No. – P.U. |
|--|------------------|
| ROLINE Parallel Printer Cable, DB25 M - C36 M, grey, 1.8 m | 11.01.1018 – 50  |
| ROLINE Parallel Printer Cable, DB25 M - C36 M, grey, 3 m   | 11.01.1030 – 50  |
| ROLINE Parallel Printer Cable, DB25 M - C36 M, grey, 4.5 m | 11.01.1045 – 25  |
| ROLINE Parallel Printer Cable, DB25 M - C36 M, grey, 6 m   | 11.01.1060 – 25  |
| ROLINE Parallel Printer Cable, DB25 M - C36 M, grey, 9 m   | 11.01.1090 – 20  |

## ROLINE Serial Link Cables

- Connects two PCs via the serial interface, whereby the cable acts as a null modem
- Two 9-pole D-Sub sockets
- Connector casing moulded with special plastic, so optimal strain reduction, cable break not possible
- Very good screening prevents data loss and electromagnetic interference

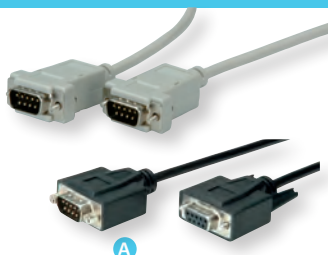


9-pole F: 1|7|2|3| 4 |6/8|5|9  
 9-pole F: 7|1|3|2|6/8| 4 |5|9

|  | Order-No. – P.U. |
|--|------------------|
| ROLINE Serial Link Cable, DB9 F/F, 1.8 m | 11.01.9018 – 50  |
| ROLINE Serial Link Cable, DB9 F/F, 3 m   | 11.01.9030 – 50  |

## VALUE RS232 Cables

- Cable with two 9-pole D-Sub connectors, assembled
- Connects e.g. the serial IBM AT interface with a switchbox
- All lines connected 1:1
- Screen line connected with the foil screen and both connectors



|  | Order-No. – P.U.  |
|--|-------------------|
| VALUE RS232 Cable, DB9 M - M, 1.8 m          | 11.99.6018 – 50   |
| VALUE RS232 Cable, DB9 M - F, 1.8 m          | 11.99.6218 – 50   |
| VALUE RS232 Cable, DB9 M - F, 3 m            | 11.99.6233 – 50   |
| VALUE RS232 Cable, DB9 M - F, 1 m Screw/Nuts | A 11.99.6210 – 50 |

## ROLINE RS232 Cables

- Cable with two 9-pole D-Sub connectors
- Connects e.g. the serial IBM AT interface with a switchbox
- All lines connected 1:1
- Screen line connected with the foil screen and both connectors



|                                      | Order-No. – P.U. |
|--------------------------------------|------------------|
| ROLINE RS232 Cable, DB9 M - M, 1.8 m | 11.01.6018 – 50  |
| ROLINE RS232 Cable, DB9 M - F, 1.8 m | 11.01.6218 – 50  |
| ROLINE RS232 Cable, DB9 M - F, 3 m   | 11.01.6230 – 50  |
| ROLINE RS232 Cable, DB9 M - F, 6 m   | 11.01.6260 – 25  |
| ROLINE RS232 Cable, DB9 M - F, 10 m  | 11.01.6290 – 25  |
| ROLINE RS232 Cable, DB9 F - F, 1.8 m | 11.01.5918 – 50  |

## ROLINE Modem Cables

- Cable with a 9-pole D-Sub socket and a 25-pole D-Sub plug
- Connects PC and modem
- Connector casing moulded with special plastic, thus optimal strain reduction, no cable breaks
- Very good screening prevents data loss and electromagnetic interference
- Hand locking screws
- Bronze contacts with gold coating



DB9 F 1|2|3| 4 |5|6|7|8|9  
 DB25 M 8|3|2|20|7|6|4|5|22

|   | Order-No. – P.U. |
|---|------------------|
| ROLINE Modem Cable, DB9 F - DB25 M, 1.8 m | 11.01.4518 – 50  |
| ROLINE Modem Cable, DB9 F - DB25 M, 3 m   | 11.01.4530 – 50  |
| ROLINE Modem Cable, DB9 F - DB25 M, 6 m   | 11.01.4560 – 20  |

## ROLINE Serial Printer Cables

- Cable with a 9-pole D-Sub socket and a 25-pole D-Sub plug
- Connects PC and modem
- Connector casing moulded with special plastic, thus optimal strain reduction, no cable breaks
- Very good screening prevents data loss and electromagnetic interference
- Hand locking screws
- Bronze contacts with gold coating



DB9 F: 1|2|3| 4 |5|6|7|8|9  
 DB25 M: 8|3|2|20|7|6|4|5|22

|  | Order-No. – P.U. |
|--|------------------|
| ROLINE Serial Printer Cable, DB9 F - DB25 M, 1.8 m | 11.01.4618 – 50  |
| ROLINE Serial Printer Cable, DB9 F - DB25 M, 3 m   | 11.01.4630 – 50  |

## ROLINE PS/2 Cables

- Extends the keyboard or mouse cable of a PC, e.g. for location of the computer under a table or for connection to a switchbox
- Cable with 6-pole Mini DIN plug and socket, 1:1



**roline**<sup>®</sup>  
Designed for Professionals

Order-No. – P.U.

|                                 |                 |
|---------------------------------|-----------------|
| ROLINE PS/2 Cable, M - F, 1.8 m | 11.01.5618 – 50 |
| ROLINE PS/2 Cable, M - F, 3 m   | 11.01.5630 – 50 |
| ROLINE PS/2 Cable, M - F, 6 m   | 11.01.5660 – 25 |
| ROLINE PS/2 Cable, M - F, 10 m  | 11.01.5690 – 25 |
| ROLINE PS/2 Cable, M - M, 1.8 m | 11.01.5818 – 50 |
| ROLINE PS/2 Cable, M - M, 3 m   | 11.01.5830 – 50 |
| ROLINE PS/2 Cable, M - M, 6 m   | 11.01.5860 – 25 |

## ROLINE VGA Cables, HD15

- Cable for connection of a monitor to a graphics card or to a switch
- 14 lines and additionally a screen line which is connected to the foil screen of the cable and to both connectors
- Moulded connector casings
- Hand-locking screws



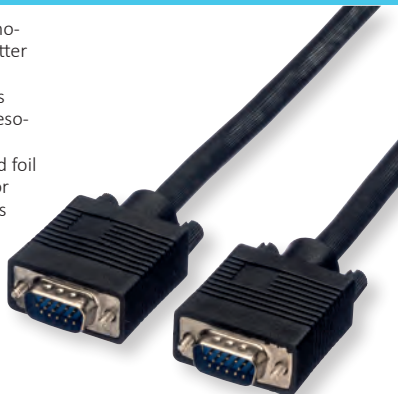
**roline**<sup>®</sup>  
Designed for Professionals

Order-No. – P.U.

|                                    |                 |
|------------------------------------|-----------------|
| ROLINE VGA Cable, HD15, F/M, 1.8 m | 11.01.6518 – 50 |
| ROLINE VGA Cable, HD15, F/M, 3 m   | 11.01.6530 – 50 |
| ROLINE VGA Cable, HD15, F/M, 6 m   | 11.01.6560 – 25 |
| ROLINE VGA Cable, HD15, F/M, 10 m  | 11.01.6590 – 25 |
| ROLINE VGA Cable, HD15, M/M, 1.8 m | 11.01.6618 – 50 |
| ROLINE VGA Cable, HD15, M/M, 3 m   | 11.01.6630 – 50 |

## VALUE SVGA Cables, HD15

- Quality cable for connection of a monitor to a graphics card or VGA splitter or amplifier
- Suitable for covering long distances (depending on graphics card and resolution) with high resolution
- Double-shielded cable (braided and foil shield) consisting of: 3 coax lines for the RGB signals and 7 AWG28 wires
- Thumbscrews



**Value**<sup>®</sup>

Order-No. – P.U.

|                                   |                 |
|-----------------------------------|-----------------|
| VALUE SVGA Cable, HD15, M/M, 2 m  | 11.99.5252 – 20 |
| VALUE SVGA Cable, HD15, M/M, 3 m  | 11.99.5253 – 20 |
| VALUE SVGA Cable, HD15, M/M, 6 m  | 11.99.5256 – 10 |
| VALUE SVGA Cable, HD15, M/M, 10 m | 11.99.5257 – 5  |
| VALUE SVGA Cable, HD15, M/M, 20 m | 11.99.5259 – 2  |

## ROLINE SVGA Cables, HD15

- High quality cable for connection of a monitor to a graphics card or VGA splitter or amplifier
- Suitable for covering long distances (depending on graphics card and resolution) with high resolution; with amplifier up to 100 m
- Double-shielded cable (braided and foil shield)
- **3 coax lines for the RGB signals and 7 AWG28 wires (13 wires connected)**
- **Pin 9 (missing) and Pin 15 (not connected)**
- Thumbscrews



**roline**<sup>®</sup>  
Designed for Professionals

Order-No. – P.U.

|                                    |                 |
|------------------------------------|-----------------|
| ROLINE SVGA Cable, HD15, M/M, 2 m  | 11.04.5202 – 20 |
| ROLINE SVGA Cable, HD15, M/M, 3 m  | 11.04.5203 – 20 |
| ROLINE SVGA Cable, HD15, M/M, 6 m  | 11.04.5206 – 10 |
| ROLINE SVGA Cable HD15, M/M, 10 m  | 11.04.5210 – 5  |
| ROLINE SVGA Cable HD15, M/M, 15 m  | 11.04.5215 – 2  |
| ROLINE SVGA Cable, HD15, M/M, 20 m | 11.04.5220 – 2  |
| ROLINE SVGA Cable, HD15, M/F, 2 m  | 11.04.5302 – 20 |
| ROLINE SVGA Cable, HD15, M/F, 3 m  | 11.04.5303 – 20 |
| ROLINE SVGA Cable, HD15, M/F, 6 m  | 11.04.5306 – 10 |
| ROLINE SVGA Cable, HD15, M/F, 10 m | 11.04.5310 – 5  |
| ROLINE SVGA Cable, HD15, M/F, 20 m | 11.04.5320 – 2  |

## ROLINE SVGA Cables + Ferrite, HD15

- High quality cable for connection of a monitor to a graphics card or VGA splitter or amplifier
- As monitor connection cable with two additional ferrite cores
- **3 coax lines for the RGB signals and 7 AWG28 wires (13 wires connected)**
- **Pin 9 (missing) and Pin 15 (not connected)**
- Connector casings moulded
- Double screened cable (braided and foil shield)
- Hand locking screws

**roline**<sup>®</sup>  
Designed for Professionals



Order-No. – P.U.

|  |                 |
|--|-----------------|
| ROLINE SVGA Cable + Ferrite, HD15, M/M, 2 m  | 11.04.5252 – 20 |
| ROLINE SVGA Cable + Ferrite, HD15, M/M, 3 m  | 11.04.5253 – 20 |
| ROLINE SVGA Cable + Ferrite, HD15, M/M, 6 m  | 11.04.5256 – 10 |
| ROLINE SVGA Cable + Ferrite, HD15, M/M, 10 m | 11.04.5260 – 5  |
| ROLINE SVGA Cable + Ferrite, HD15, M/M, 15 m | 11.04.5265 – 2  |
| ROLINE SVGA Cable + Ferrite, HD15, M/M, 20 m | 11.04.5270 – 2  |
| ROLINE SVGA Cable + Ferrite, HD15, M/F, 2 m  | 11.04.5352 – 20 |
| ROLINE SVGA Cable + Ferrite, HD15, M/F, 3 m  | 11.04.5353 – 20 |
| ROLINE SVGA Cable + Ferrite, HD15, M/F, 6 m  | 11.04.5356 – 10 |
| ROLINE SVGA Cable + Ferrite, HD15, M/F, 10 m | 11.04.5360 – 5  |
| ROLINE SVGA Cable + Ferrite, HD15, M/F, 20 m | 11.04.5370 – 2  |

## ROLINE SVGA Cables + Ferrite + DDC, HD15

- High quality cable for connection of a monitor to a graphics card or VGA splitter or amplifier
- Additionally with two ferrite cores and DDC functionality
- **3 coax lines for the RGB signals and 9 AWG28 wires (all pins connected, incl. pin 9 and pin 15)**
- Double screened cable (braided and foil shielding)
- Thumbscrews

**roline**<sup>®</sup>  
Designed for Professionals



Order-No. – P.U.

|  |                 |
|--|-----------------|
| ROLINE SVGA Cable + Ferrite + DDC, HD15, M/M, 2 m  | 11.04.5652 – 20 |
| ROLINE SVGA Cable + Ferrite + DDC, HD15, M/M, 3 m  | 11.04.5653 – 20 |
| ROLINE SVGA Cable + Ferrite + DDC, HD15, M/M, 6 m  | 11.04.5656 – 10 |
| ROLINE SVGA Cable + Ferrite + DDC, HD15, M/M, 10 m | 11.04.5660 – 5  |
| ROLINE SVGA Cable + Ferrite + DDC, HD15, M/M, 15 m | 11.04.5665 – 2  |
| ROLINE SVGA Cable + Ferrite + DDC, HD15, M/M, 20 m | 11.04.5670 – 2  |



**VALUE DVI Cables, DVI (18+5) - HD15**

- Used for the connection of a TFT monitor with an analogue DVI connector to a standard VGA graphic card
- Cable with one DVI male connector and one HD15 male connector



**Order-No. – P.U.**

|  |                 |
|--|-----------------|
| VALUE DVI Cable, DVI (18+5) - HD15, M/M, 2.0 m | 11.99.5420 – 25 |
| VALUE DVI Cable, DVI (18+5) - HD15, M/M, 3.0 m | 11.99.5430 – 20 |
| VALUE DVI Cable, DVI (18+5) - HD15, M/M, 5.0 m | 11.99.5449 – 10 |

**ROLINE DVI Cables, DVI (12+5) - HD15**

**VGA / DVI connection cable to use a VGA monitor with a DVI-I output on the graphics card. The cable is connected between the VGA graphics card and the digital monitor or between the VGA graphics card and the DVI-I interface of the monitor.**

- Used for the connection of a monitor with a DVI connector to a standard VGA graphics card
- Cable with one DVI Male connector and one HD15 Male connector



**Order-No. – P.U.**

|   |                 |
|---|-----------------|
| ROLINE DVI Cable, DVI (12+5) - HD15, M/M, 2.0 m | 11.04.5420 – 25 |
| ROLINE DVI Cable, DVI (12+5) - HD15, M/M, 3.0 m | 11.04.5430 – 20 |
| ROLINE DVI Cable, DVI (12+5) - HD15, M/M, 5.0 m | 11.04.5450 – 10 |

**VALUE DVI Cables, DVI (24+1), Dual Link**

- DVI is the standard for the digital transmission between graphic card and digital monitor (e.g. TFT)
- Advantage: No quality loss during digital/analog conversion
- Colour: black



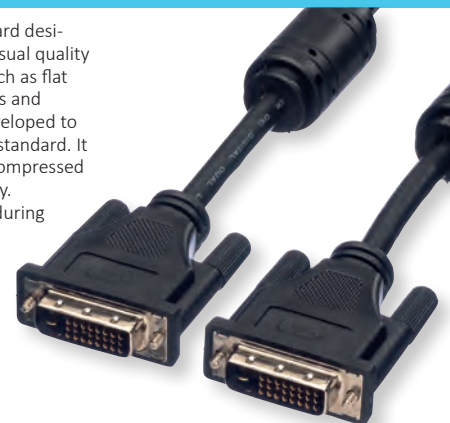
**Order-No. – P.U.**

|   |                 |
|---|-----------------|
| VALUE Monitor DVI Cable, DVI (24+1), Dual Link, M/M, 1.0 m  | 11.99.5521 – 40 |
| VALUE Monitor DVI Cable, DVI (24+1), Dual Link, M/M, 2.0 m  | 11.99.5525 – 25 |
| VALUE Monitor DVI Cable, DVI (24+1), Dual Link, M/M, 3.0 m  | 11.99.5535 – 20 |
| VALUE Monitor DVI Cable, DVI (24+1), Dual Link, M/M, 5.0 m  | 11.99.5555 – 10 |
| VALUE Monitor DVI Cable, DVI (24+1), Dual Link, M/M, 7.5 m  | 11.99.5556 – 10 |
| VALUE Monitor DVI Cable, DVI (24+1), Dual Link, M/M, 10.0 m | 11.99.5595 – 10 |
| VALUE Monitor DVI Cable, DVI (24+1), Dual Link, M/F, 1.0 m  | 11.99.5562 – 10 |
| VALUE Monitor DVI Cable, DVI (24+1), Dual Link, M/F, 2.0 m  | 11.99.5563 – 10 |
| VALUE Monitor DVI Cable, DVI (24+1), Dual Link, M/F, 3.0 m  | 11.99.5564 – 10 |
| VALUE Monitor DVI Cable, DVI (24+1), Dual Link, M/F, 5.0 m  | 11.99.5565 – 5  |

**ROLINE DVI Cables, DVI (24+1), Dual Link**

DVI is a video interface standard designed to provide very high visual quality on digital display devices such as flat panel LCD computer displays and digital projectors. It was developed to replace the VGA connector standard. It is designed for carrying uncompressed digital video data to a display.

- Advantage: No quality loss during digital/analog conversion
- Colour: Black



**Order-No. – P.U.**

|  |                 |
|--|-----------------|
| ROLINE Monitor Cable, DVI (24+1), Dual Link, M/M, 1.0 m  | 11.04.5521 – 25 |
| ROLINE Monitor Cable, DVI (24+1), Dual Link, M/M, 2.0 m  | 11.04.5525 – 25 |
| ROLINE Monitor Cable, DVI (24+1), Dual Link, M/M, 3.0 m  | 11.04.5535 – 20 |
| ROLINE Monitor Cable, DVI (24+1), Dual Link, M/M, 5.0 m  | 11.04.5555 – 10 |
| ROLINE Monitor Cable, DVI (24+1), Dual Link, M/M, 7.5 m  | 11.04.5556 – 10 |
| ROLINE Monitor Cable, DVI (24+1), Dual Link, M/M, 10.0 m | 11.04.5595 – 10 |
| ROLINE Monitor Cable, DVI (24+1), Dual Link, M/M, 15.0 m | 11.04.5598 – 4  |
| ROLINE Monitor Cable, DVI (24+1), Dual Link, M/M, 20.0 m | 11.04.5599 – 3  |

**VALUE DVI Cables, DVI (18+1) - HDMI**

**VALUE HDMI to DVI cable for connecting an ultrabook, notebook/laptop or PC to a monitor, TV or projector - for screen transmissions in excellent quality with a resolution of up to 1920x1080 @60Hz!**

- The connector requires less space and is therefore more suitable for portable display devices (ultrabooks, notebooks/laptops) or for 2 connectors on a graphics card (on a slot plate).
- High-quality, double-shielded cable (foil+braided) with gold-plated contacts for optimum transmission of image signals
- Connectors: DVI-D (18+1) to HDMI

re more suitable for portable display devices (ultrabooks, notebooks/laptops) or for 2 connectors on a graphics card (on a slot plate).

**Order-No. – P.U.**

|   |                 |
|---|-----------------|
| VALUE DVI Cable, DVI (18+1) - HDMI, M/M, black, 1 m   | 11.99.5519 – 20 |
| VALUE DVI Cable, DVI (18+1) - HDMI, M/M, black, 1.5 m | 11.99.5516 – 20 |
| VALUE DVI Cable, DVI (18+1) - HDMI, M/M, black, 2 m   | 11.99.5522 – 20 |
| VALUE DVI Cable, DVI (18+1) - HDMI, M/M, black, 3 m   | 11.99.5532 – 20 |
| VALUE DVI Cable, DVI (18+1) - HDMI, M/M, black, 5 m   | 11.99.5552 – 10 |
| VALUE DVI Cable, DVI (18+1) - HDMI, M/M, black, 10 m  | 11.99.5553 – 5  |



## ROLINE DVI Cables, DVI (18+1) - HDMI

2K 1080p FULL HD

**ROLINE HDMI to DVI cable for connecting an ultrabook, notebook/laptop or PC to a monitor, TV or projector - for screen transmissions in excellent quality with a resolution of up to 1920x1080 @60Hz!**

- The connector requires less space and is therefore more suitable for portable display devices (ultrabooks, notebooks/laptops) or for 2 connectors on a graphics card (on a slot plate).
- High-quality, double-shielded cable (foil+braid) with gold-plated contacts for optimum transmission of image signals
- Connectors: DVI-D (18+1) to HDMI



**roline**<sup>®</sup>  
Designed for Professionals

Order-No. – P.U.

|  |                 |
|--|-----------------|
| ROLINE DVI Cable, DVI (18+1) - HDMI, M/M, black, 1 m   | 11.04.5519 – 20 |
| ROLINE DVI Cable, DVI (18+1) - HDMI, M/M, black, 1.5 m | 11.04.5516 – 20 |
| ROLINE DVI Cable, DVI (18+1) - HDMI, M/M, black, 2 m   | 11.04.5522 – 20 |
| ROLINE DVI Cable, DVI (18+1) - HDMI, M/M, black, 3 m   | 11.04.5532 – 20 |
| ROLINE DVI Cable, DVI (18+1) - HDMI, M/M, black, 5 m   | 11.04.5552 – 10 |
| ROLINE DVI Cable, DVI (18+1) - HDMI, M/M, black, 10 m  | 11.04.5553 – 5  |

## ROLINE Monitor Cables, DVI (24+1) - HDMI

4K 2160p UHD-1

**ROLINE HDMI to DVI cable for connecting an ultrabook, notebook/laptop or PC to a monitor, TV or projector - for screen transmissions in excellent quality with a resolution of up to 3840x2160 @30Hz!**

- The rugged nylon braid protects the cable effectively and makes it look stunning.
- High-quality, double-shielded cable (foil+braid) with gold-plated contacts for optimum transmission of image signals
- Connectors: DVI-D (24+1) to HDMI



**roline**<sup>®</sup>  
Designed for Professionals

Order-No. – P.U.

|  |                 |
|--|-----------------|
| ROLINE Monitor Cable, DVI (24+1) - HDMI, M/M, black /silver, 1 m   | 11.04.5870 – 10 |
| ROLINE Monitor Cable, DVI (24+1) - HDMI, M/M, black /silver, 1.5 m | 11.04.5876 – 10 |
| ROLINE Monitor Cable, DVI (24+1) - HDMI, M/M, black /silver, 2 m   | 11.04.5871 – 10 |
| ROLINE Monitor Cable, DVI (24+1) - HDMI, M/M, black /silver, 3 m   | 11.04.5872 – 10 |
| ROLINE Monitor Cable, DVI (24+1) - HDMI, M/M, black /silver, 5 m   | 11.04.5873 – 10 |
| ROLINE Monitor Cable, DVI (24+1) - HDMI, M/M, black /silver, 7.5 m | 11.04.5874 – 5  |
| ROLINE Monitor Cable, DVI (24+1) - HDMI, M/M, black /silver, 10 m  | 11.04.5875 – 5  |

## VALUE HDMI High Speed Cables

2K 1080p FULL HD 3D capable

- HDMI supports standard, enhanced, or high-definition video, plus multi-channel digital audio on a single cable. It transmits all ATSC HDTV standards and supports 8-channel digital audio, with bandwidth to spare to accommodate future enhancements and requirements.
- Maximum resolution: 1920x1080 @60Hz
- HDMI High Speed increases single-link bandwidth to 340 MHz (10.2 Gbit/s)



**Value**<sup>®</sup>

Order-No. – P.U.

|   |                 |
|---|-----------------|
| VALUE HDMI High Speed Cable, M/M, black, 1 m  | 11.99.5526 – 20 |
| VALUE HDMI High Speed Cable, M/M, black, 2 m  | 11.99.5527 – 20 |
| VALUE HDMI High Speed Cable, M/M, black, 3 m  | 11.99.5537 – 20 |
| VALUE HDMI High Speed Cable, M/M, black, 5 m  | 11.99.5557 – 10 |
| VALUE HDMI High Speed Cable, M/M, black, 10 m | 11.99.5558 – 10 |
| VALUE HDMI High Speed Cable, M/M, black, 15 m | 11.99.5534 – 5  |
| VALUE HDMI High Speed Cable, M/M, black, 20 m | 11.99.5536 – 5  |

## ROLINE HDMI High Speed Cables

2K 1080p FULL HD 3D capable

**HDMI (High-Definition Multimedia Interface) supports standard, enhanced, or high-definition video, plus multi-channel digital audio on a single cable.**

- Maximum resolution: 1920x1080 @60Hz
- HDMI High Speed increases single-link bandwidth to 340 MHz (10.2 Gbit/s)
- HDMI High Speed supports 10-bit, 12-bit and 16-bit (RGB or YCbCr) color depths, for stunning rendering of over one billion colors in unprecedented detail
- ROLINE cable with high quality shielding
- Colour: black



**roline**<sup>®</sup>  
Designed for Professionals

Order-No. – P.U.

|   |                 |
|---|-----------------|
| ROLINE HDMI High Speed Cable, M/M, 1 m  | 11.04.5571 – 20 |
| ROLINE HDMI High Speed Cable, M/M, 2 m  | 11.04.5572 – 20 |
| ROLINE HDMI High Speed Cable, M/M, 3 m  | 11.04.5573 – 20 |
| ROLINE HDMI High Speed Cable, M/M, 5 m  | 11.04.5575 – 10 |
| ROLINE HDMI High Speed Cable, M/M, 10 m | 11.04.5576 – 5  |
| ROLINE HDMI High Speed Cable, M/M, 15 m | 11.04.5577 – 5  |
| ROLINE HDMI High Speed Cable, M/M, 20 m | 11.04.5578 – 5  |

VALUE HDMI High Speed Cables + Ethernet

Allowing a maximum video resolution of up to 3840x2160 @30Hz! (for length up to 5m)

- HDMI Ethernet Channel- Adds high-speed networking to an HDMI link, allowing users to take full advantage of their IP-enabled devices without a separate ethernet cable
- Audio Return Channel
- 3D- Defines input/output protocols for major 3D video formats, paving the way for true 3D gaming and 3D home theater applications
- Additional Color Spaces- Adds support for additional color models used in digital photography and computer graphics
- Colour: black / white



Order-No. - P.U.

|  |            |      |
|--|------------|------|
| VALUE HDMI High Speed Cable + Ethernet, M/F, 1 m               | 11.99.5574 | - 10 |
| VALUE HDMI High Speed Cable + Ethernet, M/F, 1.5 m             | 11.99.5571 | - 10 |
| VALUE HDMI High Speed Cable + Ethernet, M/F, 2 m               | 11.99.5575 | - 10 |
| VALUE HDMI High Speed Cable + Ethernet, M/F, 3 m               | 11.99.5576 | - 10 |
| VALUE HDMI High Speed Cable + Ethernet, M/F, 5 m               | 11.99.5577 | - 5  |
| VALUE HDMI High Speed Cable + Ethernet, M/M, black, 1 m        | 11.99.5541 | - 10 |
| VALUE HDMI High Speed Cable + Ethernet, M/M, black, 1.5 m      | 11.99.5531 | - 10 |
| VALUE HDMI High Speed Cable + Ethernet, M/M, black, 2 m        | 11.99.5542 | - 10 |
| VALUE HDMI High Speed Cable + Ethernet, M/M, black, 3 m        | 11.99.5543 | - 10 |
| VALUE HDMI High Speed Cable + Ethernet, M/M, black, 5 m        | 11.99.5545 | - 10 |
| VALUE HDMI High Speed Cable + Ethernet, M/M, white, 1 m        | 11.99.5701 | - 10 |
| VALUE HDMI High Speed Cable + Ethernet, M/M, white, 1.5 m      | 11.99.5704 | - 10 |
| VALUE HDMI High Speed Cable + Ethernet, M/M, white, 2 m        | 11.99.5702 | - 10 |
| VALUE HDMI High Speed Cable + Ethernet, M/M, white, 3 m        | 11.99.5703 | - 10 |
| VALUE HDMI High Speed Cable + Ethernet, M/M, white, 5 m        | 11.99.5705 | - 10 |
| VALUE HDMI High Speed Cable + Ethernet, LSOH*, M/M, black, 1 m | 11.99.5731 | - 10 |
| VALUE HDMI High Speed Cable + Ethernet, LSOH*, M/M, black, 2 m | 11.99.5732 | - 10 |
| VALUE HDMI High Speed Cable + Ethernet, LSOH*, M/M, black, 3 m | 11.99.5733 | - 10 |
| VALUE HDMI High Speed Cable + Ethernet, LSOH*, M/M, black, 5 m | 11.99.5735 | - 10 |



Order-No. - P.U.

|  |            |      |
|--|------------|------|
| VALUE HDMI High Speed Cable + Ethernet, M/M, black, 7.5 m        | 11.99.5544 | - 10 |
| VALUE HDMI High Speed Cable + Ethernet, M/M, black, 10 m         | 11.99.5546 | - 5  |
| VALUE HDMI High Speed Cable + Ethernet, M/M, black, 15 m         | 11.99.5547 | - 5  |
| VALUE HDMI High Speed Cable + Ethernet, M/M, black, 20 m         | 11.99.5548 | - 5  |
| VALUE HDMI High Speed Cable + Ethernet, M/M, white, 7.5 m        | 11.99.5706 | - 10 |
| VALUE HDMI High Speed Cable + Ethernet, M/M, white, 10 m         | 11.99.5710 | - 5  |
| VALUE HDMI High Speed Cable + Ethernet, M/M, white, 15 m         | 11.99.5715 | - 5  |
| VALUE HDMI High Speed Cable + Ethernet, M/M, white, 20 m         | 11.99.5720 | - 5  |
| VALUE HDMI High Speed Cable + Ethernet, LSOH*, M/M, black, 7.5 m | 11.99.5736 | - 10 |
| VALUE HDMI High Speed Cable + Ethernet, LSOH*, M/M, black, 10 m  | 11.99.5740 | - 5  |

ROLINE HDMI High Speed Cables + Ethernet

ROLINE HDMI High Speed Cables with Ethernet - offering even more HDTV features, at a resolution of up to 3840x2160 @30Hz! (for length up to 5m)



- HDMI Ethernet Channel
- Audio Return Channel
- 3D- Defines input/output protocols for major 3D video formats
- Quality cable with improved shielding
- Colour: black/white
- Cable with HDMI male connector on both sides



Designed for Professionals



Order-No. - P.U.

|   |            |      |
|---|------------|------|
| ROLINE HDMI High Speed Cable + Ethernet, M/M, black, 1 m        | 11.04.5541 | - 10 |
| ROLINE HDMI High Speed Cable + Ethernet, M/M, black, 1.5 m      | 11.04.5531 | - 10 |
| ROLINE HDMI High Speed Cable + Ethernet, M/M, black, 2 m        | 11.04.5542 | - 10 |
| ROLINE HDMI High Speed Cable + Ethernet, M/M, black, 3 m        | 11.04.5543 | - 10 |
| ROLINE HDMI High Speed Cable + Ethernet, M/M, black, 5 m        | 11.04.5545 | - 10 |
| ROLINE HDMI High Speed Cable + Ethernet, LSOH*, M/M, black, 1 m | 11.04.5731 | - 10 |
| ROLINE HDMI High Speed Cable + Ethernet, LSOH*, M/M, black, 2 m | 11.04.5732 | - 10 |
| ROLINE HDMI High Speed Cable + Ethernet, LSOH*, M/M, black, 3 m | 11.04.5733 | - 10 |
| ROLINE HDMI High Speed Cable + Ethernet, LSOH*, M/M, black, 5 m | 11.04.5735 | - 10 |



Order-No. - P.U.

|   |            |      |
|---|------------|------|
| ROLINE HDMI High Speed Cable + Ethernet, M/M, black, 7.5 m        | 11.04.5544 | - 10 |
| ROLINE HDMI High Speed Cable + Ethernet, M/M, black, 10 m         | 11.04.5547 | - 5  |
| ROLINE HDMI High Speed Cable + Ethernet, M/M, black, 15 m         | 11.04.5548 | - 5  |
| ROLINE HDMI High Speed Cable + Ethernet, M/M, black, 20 m         | 11.04.5549 | - 5  |
| ROLINE HDMI High Speed Cable + Ethernet, M/M, black, 30 m         | 11.04.5546 | - 2  |
| ROLINE HDMI High Speed Cable + Ethernet, LSOH*, M/M, black, 7.5 m | 11.04.5736 | - 10 |
| ROLINE HDMI High Speed Cable + Ethernet, LSOH*, M/M, black, 10 m  | 11.04.5740 | - 5  |

VALUE HDMI High Speed Cables + Ethernet, Type C/D



For the connection of e. g. mobile phones, smart phones, PDAs, digital cameras.

- Video resolution: 1920 x 1080 Pixel
- Connectors:
  - HDMI Type A M to HDMI Type C (Mini HDMI) M
  - HDMI Type A M to HDMI Type D (Micro HDMI) M
- Quality cable with gold plated contacts for enhanced durability



Order-No. - P.U.

|   |            |      |
|---|------------|------|
| VALUE HDMI High Speed Cable + Ethernet, A - C, M/M, 2 m | 11.99.5580 | - 10 |
| VALUE HDMI High Speed Cable + Ethernet, A - D, M/M, 2 m | 11.99.5581 | - 10 |



## ROLINE HDMI High Speed Cables + Ethernet, Type C/D

2K 1080p FULL HD 3D capable

For the connection of e. g. mobile phones, smart phones, PDAs, digital cameras.

- Video resolution: 1920 x 1080 Pixel
- Connectors:
  - HDMI Type A M to HDMI Type C (Mini HDMI) M
  - HDMI Type A M to HDMI Type D (Micro HDMI) M
- Quality cable with improved shielding



HDMI

Mini  
HDMI (C)Micro  
HDMI (D)

**roline**<sup>®</sup>  
Designed for Professionals

Order-No. – P.U.

|  |            |      |
|--|------------|------|
| ROLINE HDMI High Speed Cable + Ethernet, A - C, M/M, 0.8 m | 11.04.5568 | – 10 |
| ROLINE HDMI High Speed Cable + Ethernet, A - C, M/M, 2 m   | 11.04.5580 | – 10 |
| ROLINE HDMI High Speed Cable + Ethernet, A - D, M/M, 2 m   | 11.04.5581 | – 10 |

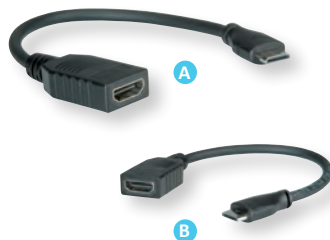
## VALUE /ROLINE HDMI High Speed Cables + Ethernet, Type C/D

2K 1080p FULL HD 3D capable

For the connection of e. g. mobile phones, smart phones, PDAs, digital cameras.

- HDMI Ethernet Channel
- Audio Return Channel
- 3D- Defines input/output protocols for major 3D video formats
- Connectors: HDMI Type A F to HDMI Type C (Mini HDMI) M or Type D (Micro HDMI) M

- Quality cable with improved shielding
- Colour: black



**Value**<sup>®</sup>

Order-No. – P.U.

|   |   |            |      |
|---|---|------------|------|
| VALUE HDMI High Speed Cable + Ethernet, A - C, F/M, 0.15 m  | A | 11.99.5586 | – 25 |
| VALUE HDMI High Speed Cable + Ethernet, A - D, F/M, 0.15 m  | B | 11.99.5584 | – 25 |
| Order-No. – P.U.  |   |            |      |
| ROLINE HDMI High Speed Cable + Ethernet, A - C, F/M, 0.15 m | A | 11.04.5586 | – 10 |
| ROLINE HDMI High Speed Cable + Ethernet, A - D, F/M, 0.15 m | B | 11.04.5584 | – 10 |

## ROLINE HDMI High Speed Cable + Ethernet, TPE

4K 2160p 3D capable

High-quality HDMI cable for resolutions up to 3840x2160 @30Hz in a very flexible TPE cable sheath.

- Supports 3D video transmission
- HDMI Ethernet Channel
- Audio return channel for signal forwarding to the audio/video receiver
- Cable with HDMI plug on both sides
- Improved cable shielding
- Elastic and very flexible thanks to TPE outer sheath- best properties for cable

ducts and similar applications where not much space is available

- Material: TPE (Thermoplastic Elastomer)

**roline**<sup>®</sup>  
Designed for Professionals

Order-No. – P.U.

|  |            |      |
|--|------------|------|
| ROLINE HDMI High Speed Cable + Ethernet, TPE, black, 1 m   | 11.04.5930 | – 10 |
| ROLINE HDMI High Speed Cable + Ethernet, TPE, black, 1.5 m | 11.04.5931 | – 10 |
| ROLINE HDMI High Speed Cable + Ethernet, TPE, black, 2 m   | 11.04.5932 | – 10 |
| ROLINE HDMI High Speed Cable + Ethernet, TPE, black, 3 m   | 11.04.5933 | – 10 |
| ROLINE HDMI High Speed Cable + Ethernet, TPE, black, 5 m   | 11.04.5934 | – 10 |
| ROLINE HDMI High Speed Cable + Ethernet, TPE, black, 7.5 m | 11.04.5935 | – 10 |
| ROLINE HDMI High Speed Cable + Ethernet, TPE, black, 10 m  | 11.04.5936 | – 5  |

## ROLINE HDMI High Speed Cables Ethernet

4K 2160p 3D capable

ROLINE HDMI cable with double-sided HDMI connection for connecting an ultrabook, notebook/laptop or PC to a monitor, TV or projector - for screen transmissions in excellent quality with a resolution of up to 3840x2160 @30Hz!

- The rugged nylon braid protects the HDMI cable effectively and makes it look stunning.
- High-quality, double-shielded cable (foil+braid) with gold-plated contacts for optimum transmission of image signals

- Supports 3D video
- HDMI Ethernet channel
- Audio return channel for forwarding signals to the audio/video receiver.
- Black metallic connector housing



Order-No. – P.U.

|  |            |      |
|--|------------|------|
| ROLINE HDMI High Speed Cable + Ethernet, M/M, black /silver, 1 m   | 11.04.5850 | – 10 |
| ROLINE HDMI High Speed Cable + Ethernet, M/M, black /silver, 1.5 m | 11.04.5856 | – 10 |
| ROLINE HDMI High Speed Cable + Ethernet, M/M, black /silver, 2 m   | 11.04.5851 | – 10 |
| ROLINE HDMI High Speed Cable + Ethernet, M/M, black /silver, 3 m   | 11.04.5852 | – 10 |
| ROLINE HDMI High Speed Cable + Ethernet, M/M, black /silver, 5 m   | 11.04.5853 | – 10 |

2K 1080p FULL HD

|  |            |     |
|--|------------|-----|
| ROLINE HDMI High Speed Cable + Ethernet, M/M, black /silver, 7.5 m | 11.04.5854 | – 5 |
| ROLINE HDMI High Speed Cable + Ethernet, M/M, black /silver, 10 m  | 11.04.5855 | – 5 |

## ROLINE HDMI High Speed Cable + Ethernet, Slim

4K 2160p 3D capable

ROLINE HDMI cable with double-sided HDMI connection for connecting an ultrabook, notebook/laptop or PC to a monitor, TV or projector - for screen transmissions in excellent quality with a resolution of up to 3840x2160 @60Hz!

- HDMI is a universal connection standard for the transmission of video and audio signals. Applications include mainly the connection of monitors and televisions to computers, BluRay players and similar devices.

- The connector requires less space and is therefore more suitable for portable display devices (ultrabooks, notebooks/laptops) or for 2 connectors on a graphics card (on a slot plate).
- High-quality, double-shielded cable (foil+braid) with gold-plated contacts for optimum transmission of image signals
- Supports 3D video
- HDMI Ethernet channel
- Audio return channel for forwarding signals to the audio/video receiver.

**roline**<sup>®</sup> **NEW**  
Designed for Professionals



Order-No. – P.U.

|  |            |      |
|--|------------|------|
| ROLINE HDMI High Speed Cable + Ethernet, Slim, M/M, black, 1 m   | 11.04.6015 | – 20 |
| ROLINE HDMI High Speed Cable + Ethernet, Slim, M/M, black, 1.5 m | 11.04.6016 | – 20 |
| ROLINE HDMI High Speed Cable + Ethernet, Slim, M/M, black, 2 m   | 11.04.6017 | – 20 |
| ROLINE HDMI High Speed Cable + Ethernet, Slim, M/M, black, 3 m   | 11.04.6018 | – 20 |

**VALUE HDMI Ultra HD Cables + Ethernet**



**High-quality HDMI connection cable with HDMI connectors for optimal transmission of digital HDTV signals at data rates up to 18 Gbit/s (600MHz). For the transmission of films in digital cinema-quality, with a resolution of up to 3840x2160 @60Hz!**

- HDMI Ethernet Channel- Adds high-speed networking to an HDMI link, allowing users to take full advantage of their IP-enabled devices without a separate ethernet cable
- Audio Return Channel- Allows an HDMI-connected TV with a built-in tuner to send audio data „upstream“ to a surround audio system, eliminating the need for a separate audio cable
- 3D- Defines input/output protocols for major 3D video formats

- High quality cable with a gold plated metal connector housing and shell for better shielding
- Gold plated contacts for higher durability



**Order-No. – P.U.**

|   |                 |
|---|-----------------|
| VALUE HDMI Ultra HD Cable + Ethernet, M/M, black, 1 m   | 11.99.5680 – 10 |
| VALUE HDMI Ultra HD Cable + Ethernet, M/M, black, 1.5 m | 11.99.5688 – 10 |
| VALUE HDMI Ultra HD Cable + Ethernet, M/M, black, 2 m   | 11.99.5681 – 10 |
| VALUE HDMI Ultra HD Cable + Ethernet, M/M, black, 3 m   | 11.99.5682 – 10 |
| VALUE HDMI Ultra HD Cable + Ethernet, M/M, black, 5 m   | 11.99.5683 – 10 |

**ROLINE HDMI Ultra HD Cables + Ethernet**



**High-quality HDMI connection cable with HDMI connectors for optimal transmission of digital HDTV signals at data rates up to 18 Gbit/s (600MHz). For the transmission of films in digital cinema-quality, with a resolution of up to 3840x2160 @60Hz!**

- HDMI Ethernet Channel- Adds high-speed networking to an HDMI link, allowing users to take full advantage of their IP-enabled devices without a separate ethernet cable
- Audio Return Channel- Allows an HDMI-connected TV with a built-in tuner

- to send audio data „upstream“ to a surround audio system, eliminating the need for a separate audio cable
- 3D- Defines input/output protocols for major 3D video formats
- High quality cable with golden metal connector housing and shell for better shielding
- Gold plated contacts for higher durability



Designed for Professionals

**Order-No. – P.U.**

|  |                 |
|--|-----------------|
| ROLINE HDMI Ultra HD Cable + Ethernet, M/M, black, 1 m   | 11.04.5680 – 10 |
| ROLINE HDMI Ultra HD Cable + Ethernet, M/M, black, 1.5 m | 11.04.5688 – 10 |
| ROLINE HDMI Ultra HD Cable + Ethernet, M/M, black, 2 m   | 11.04.5681 – 10 |
| ROLINE HDMI Ultra HD Cable + Ethernet, M/M, black, 3 m   | 11.04.5682 – 10 |
| ROLINE HDMI Ultra HD Cable + Ethernet, M/M, black, 5 m   | 11.04.5683 – 10 |
| ROLINE HDMI Ultra HD Cable + Ethernet, M/M, black, 7.5 m | 11.04.5684 – 10 |



**Max. Resolution: 3840 x 2160@30Hz**

|   |                 |
|---|-----------------|
| ROLINE HDMI Ultra HD Cable + Ethernet, M/M, black, 10 m | 11.04.5685 – 10 |
| ROLINE HDMI Ultra HD Cable + Ethernet, M/M, black, 15 m | 11.04.5686 – 10 |
| ROLINE HDMI Ultra HD Cable + Ethernet, M/M, black, 20 m | 11.04.5687 – 10 |

**ROLINE PREMIUM HDMI Ultra HD Cables + Ethernet**



- HDMI Ethernet Channel- Adds high-speed networking to an HDMI link, allowing users to take full advantage of their IP-enabled devices without a separate ethernet cable
- Audio Return Channel- Allows an HDMI-connected TV with a built-in tuner to send audio data „upstream“ to a surround audio system, eliminating the need for a separate audio cable
- 3D- Defines input/output protocols for major 3D video formats
- 4k support- Enables video resolutions up to 3840 x 2160 @60Hz far beyond 1080p, supporting next-generation displays
- Cable with HDMI male connector on both sides
- High quality cable with golden metal connector housing and shell for better shielding



Designed for Professionals



**Order-No. – P.U.**

|   |                 |
|---|-----------------|
| ROLINE PREMIUM HDMI Ultra HD Cable + Ethernet, M/M, 1 m   | 11.04.5801 – 10 |
| ROLINE PREMIUM HDMI Ultra HD Cable + Ethernet, M/M, 2 m   | 11.04.5802 – 10 |
| ROLINE PREMIUM HDMI Ultra HD Cable + Ethernet, M/M, 3 m   | 11.04.5803 – 10 |
| ROLINE PREMIUM HDMI Ultra HD Cable + Ethernet, M/M, 4.5 m | 11.04.5804 – 10 |
| ROLINE PREMIUM HDMI Ultra HD Cable + Ethernet, M/M, 7.5 m | 11.04.5805 – 5  |
| ROLINE PREMIUM HDMI Ultra HD Cable + Ethernet, M/M, 9 m   | 11.04.5806 – 5  |

**VALUE HDMI Ultra HD Cable + Ethernet, M/M, Resistant Plug**



**HDMI UHD cable for optimal transmission of films, with a resolution of up to 3840x2160 @60Hz! The metal connector housing comes with mechanical resistance to increase the cables tensile strength!**

- HDMI Ethernet Channel- Adds high-speed networking to an HDMI link, allowing users to take full advantage of their IP-enabled devices without a separate ethernet cable
- Audio Return Channel- Allows an HDMI-connected TV with a built-in tuner to send audio data „upstream“ to a surround audio system, eliminating the need for a separate audio cable
- 3D- Defines input/output protocols for major 3D video formats
- Cable with HDMI male connector on both sides
- High quality cable with a gold plated metal connector housing and shell for better shielding
- Gold plated contacts for higher durability



**Order-No. – P.U.**

|   |                 |
|---|-----------------|
| VALUE HDMI Ultra HD Cable + Ethernet, M/M, Resistant Plug, black, 1 m   | 11.99.5690 – 30 |
| VALUE HDMI Ultra HD Cable + Ethernet, M/M, Resistant Plug, black, 1.5 m | 11.99.5691 – 30 |
| VALUE HDMI Ultra HD Cable + Ethernet, M/M, Resistant Plug, black, 2 m   | 11.99.5692 – 30 |
| VALUE HDMI Ultra HD Cable + Ethernet, M/M, Resistant Plug, black, 3 m   | 11.99.5693 – 20 |
| VALUE HDMI Ultra HD Cable + Ethernet, M/M, Resistant Plug, black, 5 m   | 11.99.5694 – 20 |
| VALUE HDMI Ultra HD Cable + Ethernet, M/M, Resistant Plug, black, 7.5 m | 11.99.5695 – 10 |
| VALUE HDMI Ultra HD Cable + Ethernet, M/M, Resistant Plug, black, 10 m  | 11.99.5696 – 10 |

## VALUE Ultra HD HDMI + Ethernet Cable, 8K(7680 x 4320), Flat

8K 4320p

**High quality Flat HDMI cable with HDMI connectors for optimal transmission of digital UHD signals at very high data rates. For transfer of films in digital cinema quality with up to 8K at 60Hz.**

- HDMI Ethernet Channel- Adds high-speed networking to an HDMI link, allowing users to take full advantage of their IP-enabled devices without a separate ethernet cable
- Audio Return Channel- Allows an HDMI-connected TV with a built-in tuner to send audio data „upstream“ to a surround audio system, eliminating the need for a separate audio cable
- 3D- Defines input/output protocols for major 3D video formats
- 8K support- Enables video resolutions up to 8K (7680x4320) far beyond 1080p, supporting next-generation displays
- **Flat design**

- Cable with HDMI male connector on both sides
- High quality cable with golden metal connector housing and shell for better shielding
- Gold plated contacts for higher durability

Value



Order-No. – P.U.

|  |                 |
|--|-----------------|
| VALUE Ultra HD HDMI + Ethernet Cable, 8K(7680 x 4320), Flat, M/M, black, 1 m | 11.99.5906 – 20 |
| VALUE Ultra HD HDMI + Ethernet Cable, 8K(7680 x 4320), Flat, M/M, black, 2 m | 11.99.5907 – 10 |
| VALUE Ultra HD HDMI + Ethernet Cable, 8K(7680 x 4320), Flat, M/M, black, 3 m | 11.99.5908 – 10 |

## VALUE HDMI 8K (7680 x 4320) Ultra HD Cables + Ethernet

8K 4320p UHD-2 3D capable

**High quality HDMI cable with HDMI connectors for optimal transmission of digital UHD signals at very high data rates. For transfer of films in digital cinema quality with up to 8K at 60Hz.**

- HDMI Ethernet Channel- Adds high-speed networking to an HDMI link, allowing users to take full advantage of their IP-enabled devices without a separate ethernet cable
- Audio Return Channel- Allows a HDMI-connected TV with a built-in tuner to send audio data „upstream“ to a surround audio system, eliminating the need for a separate audio cable
- 3D- Defines input/output protocols for major 3D video formats
- 8k support- Enables video resolutions up to 4320p @60Hz far beyond 1080p, supporting next-generation displays
- Cable with HDMI male connector on both sides



Value



Order-No. – P.U.

|  |                 |
|--|-----------------|
| VALUE HDMI 8K (7680 x 4320) Ultra HD Cable + Ethernet, M/M, black, 0,5 m | 11.99.5900 – 10 |
| VALUE HDMI 8K (7680 x 4320) Ultra HD Cable + Ethernet, M/M, black, 1 m   | 11.99.5901 – 10 |
| VALUE HDMI 8K (7680 x 4320) Ultra HD Cable + Ethernet, M/M, black, 2 m   | 11.99.5902 – 10 |
| VALUE HDMI 8K (7680 x 4320) Ultra HD Cable + Ethernet, M/M, black, 3 m   | 11.99.5903 – 10 |
| VALUE HDMI 8K (7680 x 4320) Ultra HD Cable + Ethernet, M/M, black, 5 m   | 11.99.5904 – 10 |
| VALUE HDMI 8K (7680 x 4320) Ultra HD Cable + Ethernet, M/M, black, 10 m  | 11.99.5905 – 10 |

## ROLINE HDMI 8K (7680 x 4320) Ultra HD Cables + Ethernet

8K 4320p UHD-2 3D capable

**High quality HDMI cable with HDMI connectors for optimal transmission of digital UHD signals at data rates up to 35.8 Gbit/s. For transfer of films in digital cinema quality with up to 8K at 60Hz.**

- HDMI Ethernet Channel- Adds high-speed networking to an HDMI link, allowing users to take full advantage of their IP-enabled devices without a separate ethernet cable
- Audio Return Channel- Allows a HDMI-connected TV with a built-in tuner to send audio data „upstream“ to a surround audio system, eliminating the need for a separate audio cable
- 3D- Defines input/output protocols for major 3D video formats
- 8k support- Enables video resolutions up to 4320p @60Hz far beyond 1080p, supporting next-generation displays
- Cable with HDMI male connector on both sides

roline  
Designed for Professionals

Order-No. – P.U.

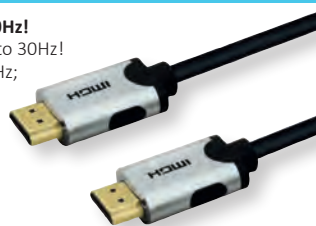
|   |                 |
|---|-----------------|
| ROLINE HDMI 8K (7680 x 4320) Ultra HD Cable + Ethernet, M/M, red, 1 m | 11.04.5901 – 10 |
| ROLINE HDMI 8K (7680 x 4320) Ultra HD Cable + Ethernet, M/M, red, 2 m | 11.04.5902 – 10 |
| ROLINE HDMI 8K (7680 x 4320) Ultra HD Cable + Ethernet, M/M, red, 3 m | 11.04.5903 – 10 |
| ROLINE HDMI 8K (7680 x 4320) Ultra HD Cable + Ethernet, M/M, red, 5 m | 11.04.5905 – 10 |

## VALUE / ROLINE HDMI 10K Ultra High Speed Cables

10K 7760p UHS

**High quality HDMI cable with resolutions up to 10K (10240 x 4320) at 30Hz!**

- Supports a resolution of up to 10240x4320 pixels at a refresh rate of up to 30Hz!
- Maximum resolutions: 10K (10240x4320) @30Hz; 8K (7680x4320) @30Hz; 5K (5120x2880) @120Hz; 4K (3840x2160) @240Hz
- Dynamic HDR for particularly rich colours
- Display Stream Compression (DSC) 1.2 at particularly high resolutions on from 8K
- Variable refresh rate (VRR), to eliminate delays and jerky images
- Supports 3D video output
- Gold-plated contacts for secure data transmission



Value

roline  
Designed for Professionals

Order-No. – P.U.

|  |                 |   |                 |
|--|-----------------|---|-----------------|
| VALUE HDMI 10K Ultra High Speed Cable, M/M, black, 1 m   | 11.99.5940 – 10 | ROLINE HDMI 10K Ultra High Speed Cable, M/M, black, 1 m   | 11.04.5940 – 10 |
| VALUE HDMI 10K Ultra High Speed Cable, M/M, black, 1.5 m | 11.99.5941 – 10 | ROLINE HDMI 10K Ultra High Speed Cable, M/M, black, 1.5 m | 11.04.5941 – 10 |
| VALUE HDMI 10K Ultra High Speed Cable, M/M, black, 2 m   | 11.99.5942 – 10 | ROLINE HDMI 10K Ultra High Speed Cable, M/M, black, 2 m   | 11.04.5942 – 10 |
| VALUE HDMI 10K Ultra High Speed Cable, M/M, black, 3 m   | 11.99.5943 – 10 | ROLINE HDMI 10K Ultra High Speed Cable, M/M, black, 3 m   | 11.04.5943 – 10 |
| VALUE HDMI 10K Ultra High Speed Cable, M/M, black, 5 m   | 11.99.5943 – 10 | ROLINE HDMI 10K Ultra High Speed Cable, M/M, black, 5 m   | 11.04.5944 – 10 |



## ROLINE GREEN USB 2.0 Cables, A - B, M/M

High quality USB cable with one USB Type A and one USB Type B connector.

- Improved shielding
- For the connection of devices with USB Type B connector; e.g. printer
- Meets standard USB 2.0 (transfer rate up to 480 Mbit/s)
- Colour: Black

ROLINE GREEN products are marked only with a paper tag and build with halogen-free TPE material, without plastic bags and without plastic cable straps for use in eco-friendly environments.



**roline**  
green

|  | Order-No. – P.U. |
|--|------------------|
| ROLINE GREEN USB 2.0 Cable, A - B, M/M, black, 0.8 m | 11.44.8808 – 50  |
| ROLINE GREEN USB 2.0 Cable, A - B, M/M, black, 1.8 m | 11.44.8818 – 100 |

## ROLINE GREEN USB 3.2 Gen 1 Cables, A-C

- Improved data encoding for more efficient data transfer leading to higher through-put and improved I/O power efficiency
- Compatible with existing USB 3.0 / USB 3.2 Gen 1 software stacks and device protocols
- Works with both existing 5 Gbit/s USB 3.0 / USB 3.2 Gen 1 hubs and devices, as well as USB 2.0 products
- The USB type-C defines a new small reversible-plug connector for USB 3.0 / USB 3.2 Gen 1 devices
- USB 3.1 high-speed cable in high quality with improved shielding
- Data transfer rates up to 5 Gbit/s
- Only suitable for USB standard power supply to 5V / 900mA!
- Type: A-C
- Length: 0.5 m / 1 m

- Colour: black

Note: According to the current specifications of USB.org we have adapted the technical data of our USB 3 products. The new designation for the already known USB specifications has been changed to USB 3.2 Gen 1 (formerly USB 3.0 / USB 3.1 Gen 1) and USB 3.2 Gen 2 (formerly USB 3.1 / USB 3.1 Gen 2).



**roline**  
green

|  | Order-No. – P.U. |
|--|------------------|
| ROLINE GREEN USB 3.2 Gen 1 Cable, A-C, M/M, black, 0.5 m | 11.44.9010 – 20  |
| ROLINE GREEN USB 3.2 Gen 1 Cable, A-C, M/M, black, 1 m   | 11.44.9011 – 10  |

## ROLINE GREEN USB 3.2 Gen 2 Cables, PD (Power Delivery) 20V5A, with Emark, C-C

Full-featured USB 3.1 / USB 3.2 Gen 2 cable with a data transmission rate of up to 10 Gbit/s and full Power Delivery support of up to 20V 5A!

- High quality USB 3.1 / USB 3.2 Gen 2 cable with improved shielding
- With the new reversible Type C connectors at both ends
- Gold-plated contacts for low wear at high plugging cycles
- Suitable for data transfer rates of up to 10 Gbit/s
- Supports USB Power Delivery to 20V / 5A
- Supports video transfer

Note: According to the current specifications of USB.org we have adapted the technical data of our USB 3 products. The new designation for the already known USB specifications has been changed to USB 3.2 Gen 1 (formerly USB 3.0 / USB 3.1 Gen 1) and USB 3.2 Gen 2 (formerly USB 3.1 / USB 3.1 Gen 2).



**roline**  
green

|   | Order-No. – P.U. |
|---|------------------|
| ROLINE GREEN USB 3.2 Gen 2 Cable, PD (Power Delivery) 20V5A, with Emark, C-C, M/M, black, 0.5 m | 11.44.9056 – 20  |
| ROLINE GREEN USB 3.2 Gen 2 Cable, PD (Power Delivery) 20V5A, with Emark, C-C, M/M, black, 1 m   | 11.44.9057 – 10  |

## ROLINE GREEN HDMI High Speed Cables

**2K** **1080p**  
Full HD

HDMI (High-Definition Multimedia Interface) supports standard, enhanced, or high-definition video, plus multi-channel digital audio on a single cable.

- By delivering crystal-clear, all-digital audio and video via a single cable, HDMI dramatically simplifies cabling and helps provide consumers with the highest-quality home theater experience.
- Maximum resolution: 1920x1080 @60Hz
- HDMI High Speed increases single-link bandwidth to 340 MHz (10.2 Gbit/s)

- HDMI High Speed supports 10-bit, 12-bit and 16-bit (RGB or YCbCr) color depths, for stunning rendering of over one billion colors in unprecedented detail
- Cable with high quality shielding
- Colour: black



**roline**  
green

|   | Order-No. – P.U. |
|---|------------------|
| ROLINE GREEN HDMI High Speed Cable, M/M, black, 1 m | 11.44.5571 – 20  |
| ROLINE GREEN HDMI High Speed Cable, M/M, black, 2 m | 11.44.5572 – 20  |
| ROLINE GREEN HDMI High Speed Cable, M/M, black, 3 m | 11.44.5573 – 20  |
| ROLINE GREEN HDMI High Speed Cable, M/M, black, 5 m | 11.44.5575 – 10  |

## ROLINE GREEN HDMI High Speed Cable + Ethernet, TPE

4K 2160p 3D capable

**ROLINE HDMI High Speed Cables with Ethernet - offering even more HDTV features, with a resolution of up to 3840x2160 @30Hz!**

- HDMI Ethernet Channel
- Audio Return Channel
- 3D- Defines input/output protocols for major 3D video formats
- Quality cable with improved shielding
- Colour: black
- Cable with HDMI male connector on both sides

- Elastic and very flexible thanks to TPE outer sheath- best properties for cable ducts and similar applications where not much space is available
- Material: TPE (Thermoplastic Elastomer)



Order-No. – P.U.

|   |                 |
|---|-----------------|
| ROLINE GREEN HDMI High Speed Cable + Ethernet, TPE, M/M, black, 1 m | 11.44.5731 – 10 |
| ROLINE GREEN HDMI High Speed Cable + Ethernet, TPE, M/M, black, 2 m | 11.44.5732 – 10 |
| ROLINE GREEN HDMI High Speed Cable + Ethernet, TPE, M/M, black, 3 m | 11.44.5733 – 10 |
| ROLINE GREEN HDMI High Speed Cable + Ethernet, TPE, M/M, black, 5 m | 11.44.5735 – 10 |

## ROLINE GREEN HDMI High Speed Cable + Ethernet, A - C / A - D

2K 1080p FULL HD 3D capable

**For the connection of e. g. mobile phones / smartphones or digital cameras / DSLRs.**

- HDMI Ethernet Channel
- Audio Return Channel
- 3D- Defines input/output protocols for major 3D video formats
- Video resolution: 1920 x 1080 Pixel
- Connectors: HDMI Type A M to HDMI Type C (Mini HDMI) M / Type D (Micro HDMI)
- Quality cable with improved shielding
- Colour: black

**ROLINE GREEN products are marked only with a paper tag and build with halogen-free TPE material, without plastic bags and without plastic cable straps for use in eco-friendly environments.**

Order-No. – P.U.

|  |                 |
|--|-----------------|
| ROLINE GREEN HDMI High Speed Cable + Ethernet, A - C, M/M, 2 m | 11.44.5580 – 10 |
| ROLINE GREEN HDMI High Speed Cable + Ethernet, A - D, M/M, 2 m | 11.44.5581 – 10 |



## ROLINE GREEN DisplayPort Cable, DP - Mini DP, TPE

2K 1600p

**ROLINE DisplayPort Cable with one DP and one Mini DP connection for connecting an Ultrabook, Notebook/Laptop or PC to a monitor, TV or projector - for screen transmissions in excellent quality with resolutions of up to 2560x1600 @60Hz!**

- DisplayPort is a universal connection standard for the transmission of picture and sound signals. Applications include mainly the connection of monitors and televisions to computers, BluRay players and similar devices.
- The connector requires less space and is therefore more suitable for portable display devices (ultrabooks, notebooks/laptops) or for 2 connectors on a graphics card (on a slot plate).

Order-No. – P.U.

|   |                 |
|---|-----------------|
| ROLINE GREEN DisplayPort Cable, DP - Mini DP, M/M, black, 1 m | 11.44.5634 – 20 |
| ROLINE GREEN DisplayPort Cable, DP - Mini DP, M/M, black, 2 m | 11.44.5635 – 20 |
| ROLINE GREEN DisplayPort Cable, DP - Mini DP, M/M, black, 3 m | 11.44.5636 – 20 |
| ROLINE GREEN DisplayPort Cable, DP - Mini DP, M/M, black, 5 m | 11.44.5637 – 10 |

- Mini DisplayPort connectors: Mini DisplayPort connector- DisplayPort connector; Mini DisplayPort is often used on monitors or graphics cards because it takes up less space than the conventional DisplayPort connector, despite having the same technology.
- Elastic and very flexible thanks to TPE outer sheath- best properties for cable ducts and similar applications where not much space is available
- Material: TPE (Thermoplastic Elastomer)
- Compliant DP v1.1 (max. 2560 x 1600 @60Hz)



## ROLINE GREEN DisplayPort Cable, DP-DP, TPE

4K 2160p

**ROLINE DisplayPort Cable with DP connection on both sides for connecting an Ultrabook, Notebook/Laptop or PC to a monitor, TV or projector - for screen transmissions in excellent quality with resolutions of up to 3840x2160 / 4096x2560 @60Hz!**

- DisplayPort is a universal connection standard for the transmission of picture and sound signals. Applications include mainly the connection of monitors and televisions to computers, BluRay players and similar devices.

Order-No. – P.U.

|   |                 |
|---|-----------------|
| ROLINE GREEN DisplayPort Cable, DP-DP, TPE, M/M, black, 1 m | 11.44.5761 – 20 |
| ROLINE GREEN DisplayPort Cable, DP-DP, TPE, M/M, black, 2 m | 11.44.5762 – 20 |
| ROLINE GREEN DisplayPort Cable, DP-DP, TPE, M/M, black, 3 m | 11.44.5763 – 20 |
| ROLINE GREEN DisplayPort Cable, DP-DP, TPE, M/M, black, 5 m | 11.44.5764 – 10 |

- The connector requires less space and is therefore more suitable for portable display devices (ultrabooks, notebooks/laptops) or for 2 connectors on a graphics card (on a slot plate).
- The practical plug design prevents the cable from slipping out of the DisplayPort socket.
- Elastic and very flexible thanks to TPE outer sheath- best properties for cable ducts and similar applications where not much space is available
- Material: TPE (Thermoplastic Elastomer)
- Compliant DP v1.2 (max. 4096 x 2560 @60Hz)



## ROLINE GREEN DisplayPort Cable, v1.4, DP-DP

8K 4320p

**ROLINE DisplayPort Cable with DP connection on both sides for connecting an Ultra-book, Notebook/Laptop or PC to a monitor, TV or projector - for screen transmissions in excellent quality with resolutions of up to 7680x4320 @60Hz!**

• DisplayPort is a universal connection standard for the transmission of picture and sound signals, widely known and appreciated in computer, industry and modern house wiring. Applications include mainly the connection of monitors or projectors to computers, notebooks/laptops, ultrabooks, NUCs and similar devices.

- The connector requires less space than VGA or DVI and is therefore more suitable for portable devices for two connectors on a graphics card (on one slot plate).
- DisplayPort v1.4 supports Display Stream Compression 1.2a (DSC), Forward Error Correction and the HDR10 standard.
- Compliant DP v1.4 can reach a maximum resolution of 8K (7680x4320) @60Hz or 4K (3840x2160) @120Hz
- The practical plug design prevents the cable from slipping out of the DisplayPort socket and guarantees a stable audio and video transmission.



|  | Order-No. – P.U. |
|--|------------------|
| ROLINE GREEN DisplayPort Cable, v1.4, DP-DP, M/M, black, 1 m | 11.44.5810 – 20  |
| ROLINE GREEN DisplayPort Cable, v1.4, DP-DP, M/M, black, 2 m | 11.44.5811 – 10  |
| ROLINE GREEN DisplayPort Cable, v1.4, DP-DP, M/M, black, 3 m | 11.44.5812 – 10  |
| ROLINE GREEN DisplayPort Cable, v1.4, DP-DP, M/M, black, 5 m | 11.44.5813 – 10  |



## ROLINE GREEN DisplayPort Cable, DP - HDTV

2K 1080p

**DisplayPort to HDTV cable for transferring content from your graphics card (DisplayPort) to your TV (HDTV) - with a quality of up to 1920x1080 @60Hz, incl. audio transmission!**

• HDTV is the standard for digital video transmission in the TV/multimedia sector for e. g.: Connection of a TV set with HDMI interface to a player with DisplayPort connection.

- Cable with one DisplayPort and one HDTV plug.
- Note: A DisplayPort HDTV cable can only be used in one direction: the DisplayPort connector can only be used on the data source side (e. g. graphics card).



|  | Order-No. – P.U. |
|--|------------------|
| ROLINE GREEN DisplayPort Cable, DP - HDTV, M/M, black, 1 m | 11.44.5780 – 10  |
| ROLINE GREEN DisplayPort Cable, DP - HDTV, M/M, black, 2 m | 11.44.5781 – 10  |
| ROLINE GREEN DisplayPort Cable, DP - HDTV, M/M, black, 3 m | 11.44.5782 – 10  |



## ROLINE GREEN ATC HDMI 8K (7680 x 4320) Ultra HD Cable + Ethernet

8K 4320p UHD-2 3D capable

**High quality HDMI cable with HDMI connectors for optimal transmission of digital UHD signals at data rates up to 35.8 Gbit/s. For transfer of films in digital cinema quality with up to 8k at 60Hz.**

- HDMI Ethernet Channel- Adds high-speed networking to an HDMI link, allowing users to take full advantage of their IP-enabled devices without a separate ethernet cable
- Audio Return Channel- Allows a HDMI-connected TV with a built-in tuner to send audio data „upstream“ to a surround audio system, eliminating the need for a separate audio cable
- 3D- Defines input/output protocols for major 3D video formats
- 8k support- Enables video resolutions up to 4320p @60Hz far beyond 1080p, supporting next-generation displays
- Cable with HDMI male connector on both sides
- High quality cable with golden metal connector housing and shell for better shielding
- Gold plated contacts for higher durability

ATC cables (Authorized Test Centers cables)- only authorized HDMI adopters /suppliers who participate in this HDMI cable certification program can carry these certification labels on the cables. These HDMI ATC-tested High Speed HDMI Cables have a unique anti-counterfeiting authentication label on their products, and make sure cables are authentic and certified throughout the supply chain giving end users confidence when purchasing new HDMI cables for their 4K/UltraHD products.

**ROLINE GREEN products are marked only with a paper tag and build with halogen-free TPE material, without plastic bags and without plastic cable straps for use in eco-friendly environments.**



|   | Order-No. – P.U. |
|---|------------------|
| ROLINE GREEN ATC HDMI 8K (7680 x 4320) Ultra HD Cable + Ethernet, M/M, black, 1 m | 11.44.6010 – 20  |
| ROLINE GREEN ATC HDMI 8K (7680 x 4320) Ultra HD Cable + Ethernet, M/M, black, 2 m | 11.44.6011 – 20  |
| ROLINE GREEN ATC HDMI 8K (7680 x 4320) Ultra HD Cable + Ethernet, M/M, black, 3 m | 11.44.6012 – 20  |





**ROLINE RECYCLED MATERIAL – A New Brand For a Sustainable Future!**

We believe in a greener future and are pleased to introduce our latest development: **The ROLINE Recycled Material Product Line. This product line shows our commitment to sustainability and is contributing to a reduction of our environmental footprint.**

**Our ROLINE Recycled Material Products are made from more than 50% recycled materials.**

- By incorporating recycled material into our products, we are taking a big step towards a more sustainable and circular economy.
- With ROLINE Recycled Material we can conserve additional natural resources, save energy and reduce the production of new material.

**Environmentally friendly packaging:**

- Our commitment also concerns the packaging in which these environmentally responsible products are packed.
- ROLINE Recycled Material packaging is made from 100% recycled material, minimizing waste and underlining our engagement to responsible packaging.

**ROLINE RECYCLED MATERIAL USB 2.0 Cable, A - B, M/M****NEW**

**High quality USB cable with one USB Type A and one USB Type B connector.**

- Improved shielding
- For the connection of devices with USB Type B connector; e.g. printer
- Meets standard USB 2.0 (transfer rate up to 480 Mbit/s)
- Colour: Black

**Our ROLINE Recycled Material products are made from more than 50% recycled materials.**

- By incorporating recycled material into our products, we are taking a big step towards a more sustainable and circular economy.
- With ROLINE Recycled Material we can conserve additional natural resources, save energy and reduce the production of new material.

**Environmentally friendly packaging:**

- Our commitment also concerns the packaging in which these environmentally responsible products are packed.
- ROLINE Recycled Material packaging is made from 100% recycled material, minimizing waste and underlining our engagement to responsible packaging.



|   | Order-No.  | P.U.  |
|---|------------|-------|
| ROLINE RM USB 2.0 Cable, A - B, M/M, black, 0.8 m | 11.45.8808 | - 100 |
| ROLINE RM USB 2.0 Cable, A - B, M/M, black, 1.8 m | 11.45.8818 | - 100 |

**roline**<sup>®</sup>  
recycled material 

**ROLINE RECYCLED MATERIAL USB 3.2 Gen 1 Cable, A-C, M/M****NEW**

- Improved data encoding for more efficient data transfer leading to higher through-put and improved I/O power efficiency
- Compatible with existing USB 3.0 / USB 3.2 Gen 1 software stacks and device protocols
- Works with both existing 5 Gbit/s USB 3.0 / USB 3.2 Gen 1 hubs and devices, as well as USB 2.0 products
- The USB type-C defines a new small reversible-plug connector for USB 3.0 / USB 3.2 Gen 1 devices
- The type-C plug can be used at both host and device side, replacing multiple type-B and type-A connectors and cables
- USB 3.1 high-speed cable in high quality with improved shielding
- Data transfer rates up to 5 Gbit/s
- Type: A-C

Note: According to the current specifications of USB.org we have adapted the technical data of our USB 3 products. The new designation for the already known USB specifications has been changed to USB 3.2 Gen 1 (formerly USB 3.0 / USB 3.1 Gen 1) and USB 3.2 Gen 2 (formerly USB 3.1 / USB 3.1 Gen 2).

|   | Order-No.  | P.U. |
|---|------------|------|
| ROLINE RM USB 3.2 Gen 1 Cable, A-C, M/M, black, 0.5 m | 11.45.9010 | - 20 |
| ROLINE RM USB 3.2 Gen 1 Cable, A-C, M/M, black, 1 m   | 11.45.9011 | - 10 |



**roline**<sup>®</sup>  
recycled material 



**ROLINE RECYCLED MATERIAL USB 3.2 Gen 2 Cable, PD 100W, with Emark, C-C** NEW 10Gbit/s 100W  
20V / 5A

**Full-featured USB 3.1 / USB 3.2 Gen 2 cable with a data transmission rate of up to 10 Gbit/s and full Power Delivery support of up to 20V 5A!**

- High quality USB 3.1 / USB 3.2 Gen 2 cable with improved shielding
- With the new reversible Type C connectors at both ends
- Gold-plated contacts for low wear at high plugging cycles
- Suitable for data transfer rates of up to 10 Gbit/s
- Supports USB Power Delivery to 20V / 5A
- Supports video transfer

Note: According to the current specifications of USB.org we have adapted the technical data of our USB 3 products. The new designation for the already known USB specifications has been changed to USB 3.2 Gen 1 (formerly USB 3.0 / USB 3.1 Gen 1) and USB 3.2 Gen 2 (formerly USB 3.1 / USB 3.1 Gen 2).



|  | Order-No.  | - | P.U. |
|--|------------|---|------|
| ROLINE RM USB 3.2 Gen 2 Cable, PD (Power Delivery) 20V5A, with Emark, C-C, M/M, black, 0.5 m | 11.45.9052 | - | 20   |
| ROLINE RM USB 3.2 Gen 2 Cable, PD (Power Delivery) 20V5A, with Emark, C-C, M/M, black, 1 m   | 11.45.9053 | - | 10   |



**ROLINE RECYCLED MATERIAL HDMI Cable + Ethernet** NEW 4K 2160p 3D  
capable

**ROLINE HDMI High Speed Cables with Ethernet - offering even more HDTV features, at a resolution of up to 3840x2160 @30Hz!**

- HDMI Ethernet Channel
- For transmission of films as with digital cinema technology.
- Audio Return Channel
- 3D- Defines input/output protocols for major 3D video formats
- Quality cable with improved shielding
- Colour: black
- Cable with HDMI male connector on both sides



|   | Order-No.  | - | P.U. |
|---|------------|---|------|
| ROLINE RM HDMI High Speed Cable + Ethernet, M/M, black, 1 m | 11.45.5731 | - | 10   |
| ROLINE RM HDMI High Speed Cable + Ethernet, M/M, black, 2 m | 11.45.5732 | - | 10   |
| ROLINE RM HDMI High Speed Cable + Ethernet, M/M, black, 3 m | 11.45.5733 | - | 10   |
| ROLINE RM HDMI High Speed Cable + Ethernet, M/M, black, 5 m | 11.45.5735 | - | 10   |



**ROLINE RECYCLED MATERIAL HDMI Ultra HD Cable + Ethernet** NEW 8K 4320p  
UHD-2 3D  
capable

**High quality HDMI cable with HDMI connectors for optimal transmission of digital UHD signals at data rates up to 35.8 Gbit/s. For transfer of films in digital cinema quality with up to 8k at 60Hz.**

- HDMI Ethernet Channel- Adds high-speed networking to an HDMI link, allowing users to take full advantage of their IP-enabled devices without a separate ethernet cable
- Audio Return Channel- Allows a HDMI-connected TV with a built-in tuner to send audio data „upstream“ to a surround audio system, eliminating the need for a separate audio cable
- 3D- Defines input/output protocols for major 3D video formats
- 8k support- Enables video resolutions up to 4320p @60Hz far beyond 1080p, supporting next-generation displays
- Cable with HDMI male connector on both sides
- High quality cable with golden metal connector housing and shell for better shielding
- Gold plated contacts for higher durability



|  | Order-No.  | - | P.U. |
|--|------------|---|------|
| ROLINE RM HDMI 8K (7680 x 4320) Ultra HD Cable + Ethernet, M/M, black, 1 m | 11.45.5901 | - | 10   |
| ROLINE RM HDMI 8K (7680 x 4320) Ultra HD Cable + Ethernet, M/M, black, 2 m | 11.45.5902 | - | 10   |
| ROLINE RM HDMI 8K (7680 x 4320) Ultra HD Cable + Ethernet, M/M, black, 3 m | 11.45.5903 | - | 10   |
| ROLINE RM HDMI 8K (7680 x 4320) Ultra HD Cable + Ethernet, M/M, black, 5 m | 11.45.5905 | - | 10   |



**ROLINE RECYCLED MATERIAL DisplayPort Cable, v1.4, DP-DP**

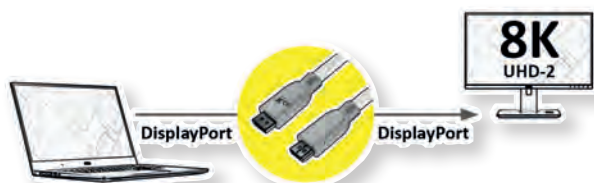
NEW

8K

4320p

**ROLINE DisplayPort Cable with DP connection on both sides for connecting an Ultra-book, Notebook/Laptop or PC to a monitor, TV or projector - for screen transmissions in excellent quality with resolutions of up to 7680x4320 @60Hz!**

- DisplayPort is a universal connection standard for the transmission of picture and sound signals, widely known and appreciated in computer, industry and modern house wiring. Applications include mainly the connection of monitors or projectors to computers, notebooks/laptops, ultrabooks, NUCs and similar devices.
- The connector requires less space than VGA or DVI and is therefore more suitable for portable devices for two connectors on a graphics card (on one slot plate).
- DisplayPort v1.4 supports Display Stream Compression 1.2a (DSC), Forward Error Correction and the HDR10 standard.
- DP v1.4 can reach a maximum resolution of 8K (7680x4320) @60Hz or 4K (3840x2160) @120Hz
- The practical plug design prevents the cable from slipping out of the DisplayPort socket and guarantees a stable audio and video transmission.
- Compliant DP v1.4 (max. 7680 x 4320 @60Hz)



Order-No. – P.U.

|   |                 |
|---|-----------------|
| ROLINE RM DisplayPort Cable, v1.4, DP-DP, M/M, black, 1 m | 11.45.5810 – 20 |
| ROLINE RM DisplayPort Cable, v1.4, DP-DP, M/M, black, 2 m | 11.45.5811 – 10 |
| ROLINE RM DisplayPort Cable, v1.4, DP-DP, M/M, black, 3 m | 11.45.5812 – 10 |
| ROLINE RM DisplayPort Cable, v1.4, DP-DP, M/M, black, 5 m | 11.45.5813 – 10 |

roline<sup>®</sup>  
recycled material

**ROLINE RECYCLED MATERIAL DisplayPort Cable, DP - HDTV**

NEW

2K

1080p  
FULL HD

**DisplayPort to HDTV cable for transferring content from your graphics card (DisplayPort) to your TV (HDTV) - with a quality of up to 1920x1080 @60Hz, incl. audio transmission!**

- HDTV is the standard for digital video transmission in the TV/multimedia sector for e. g.: Connection of a TV set with HDMI interface to a player with DisplayPort connection.
- Cable with one DisplayPort and one HDTV plug.
- Note: A DisplayPort HDTV cable can only be used in one direction: the DisplayPort connector can only be used on the data source side (e. g. graphics card).



Order-No. – P.U.

|   |                 |
|---|-----------------|
| ROLINE RM DisplayPort Cable, DP - HDTV, M/M, black, 1 m | 11.45.5780 – 10 |
| ROLINE RM DisplayPort Cable, DP - HDTV, M/M, black, 2 m | 11.45.5781 – 10 |
| ROLINE RM DisplayPort Cable, DP - HDTV, M/M, black, 3 m | 11.45.5782 – 10 |

roline<sup>®</sup>  
recycled material



## ROLINE ATC HDMI 8K (7680 x 4320) Ultra HD Cable + Ethernet

**8K** **4320p** **3D**  
UHD-2 capable

**High quality HDMI cable with HDMI connectors for optimal transmission of digital UHD signals at data rates up to 35.8 Gbit/s. For transfer of films in digital cinema quality with up to 8k at 60Hz.**

- HDMI Ethernet Channel- Adds high-speed networking to an HDMI link, allowing users to take full advantage of their IP-enabled devices without a separate ethernet cable
- Audio Return Channel- Allows a HDMI-connected TV with a built-in tuner to send audio data „upstream“ to a surround audio system, eliminating the need for a separate audio cable
- 3D- Defines input/output protocols for major 3D video formats
- 8k support- Enables video resolutions up to 4320p @60Hz far beyond 1080p, supporting next-generation displays
- Cable with HDMI male connector on both sides
- High quality cable with golden metal connector housing and shell for better shielding
- Gold plated contacts for higher durability

ATC cables (Authorized Test Centers cables) - only authorized HDMI adopters /suppliers who participate in this HDMI cable certification program can carry these certification labels on the cables. These HDMI ATC-tested High Speed HDMI Cables have a unique anti-counterfeiting authentication label on their products, and make sure cables are authentic and certified throughout the supply chain giving end users confidence when purchasing new HDMI cables for their 4K/UltraHD products.



**roline**<sup>®</sup>  
Designed for Professionals

Order-No. – P.U.

|   |                 |
|---|-----------------|
| ROLINE ATC HDMI 8K (7680 x 4320) Ultra HD Cable + Ethernet, M/M, black, 1 m | 11.04.6010 – 20 |
| ROLINE ATC HDMI 8K (7680 x 4320) Ultra HD Cable + Ethernet, M/M, black, 2 m | 11.04.6011 – 20 |
| ROLINE ATC HDMI 8K (7680 x 4320) Ultra HD Cable + Ethernet, M/M, black, 3 m | 11.04.6012 – 20 |

## VALUE DisplayPort Cables, DP-DP

**4K** **2160p**  
ULTRA HD



**VALUE DisplayPort Cable with DP connection on both sides for connecting an Ultrabook, Notebook/Laptop or PC to a monitor, TV or projector - for screen transmissions in excellent quality with resolutions of up to 3840x2160 @60Hz!**

- DisplayPort is a universal connection standard for the transmission of picture and sound signals. Applications include mainly the connection of monitors and televisions to computers, BluRay players and similar devices.
- The connector requires less space and is therefore more suitable for portable display devices (ultrabooks, notebooks/laptops) or for 2 connectors on a graphics card (on a slot plate).
- The practical plug design prevents the cable from slipping out of the DisplayPort socket.
- Compliant DP v1.2 (max. 3840 x 2160 @60Hz)



Order-No. – P.U.

|   |                 |
|---|-----------------|
| VALUE DisplayPort Cable, DP-DP, M/M, black, 1 m   | 11.99.5601 – 20 |
| VALUE DisplayPort Cable, DP-DP, M/M, black, 1.5 m | 11.99.5629 – 20 |
| VALUE DisplayPort Cable, DP-DP, M/M, black, 2 m   | 11.99.5602 – 10 |
| VALUE DisplayPort Cable, DP-DP, M/M, black, 3 m   | 11.99.5603 – 10 |
| VALUE DisplayPort Cable, DP-DP, M/M, black, 5 m   | 11.99.5605 – 10 |
| VALUE DisplayPort Cable, DP-DP, M/M, black, 7.5 m | 11.99.5604 – 6  |
| VALUE DisplayPort Cable, DP-DP, M/M, black, 10 m  | 11.99.5609 – 5  |

**\*Halogenfree  
Flame Retardant  
Low Smoke**

Order-No. – P.U.

|  |                 |
|--|-----------------|
| VALUE DisplayPort Cable, DP-DP, LSOH, M/M, 1 m   | 11.99.5761 – 20 |
| VALUE DisplayPort Cable, DP-DP, LSOH, M/M, 1.5 m | 11.99.5767 – 20 |
| VALUE DisplayPort Cable, DP-DP, LSOH, M/M, 2 m   | 11.99.5762 – 10 |
| VALUE DisplayPort Cable, DP-DP, LSOH, M/M, 3 m   | 11.99.5763 – 10 |
| VALUE DisplayPort Cable, DP-DP, LSOH, M/M, 5 m   | 11.99.5764 – 10 |
| VALUE DisplayPort Cable, DP-DP, LSOH, M/M, 7.5 m | 11.99.5765 – 10 |
| VALUE DisplayPort Cable, DP-DP, LSOH, M/M, 10 m  | 11.99.5766 – 5  |

## ROLINE DisplayPort Cables, DP-DP

**4K** **2160p**  
ULTRA HD



**ROLINE DisplayPort Cable with DP connection on both sides for connecting an Ultrabook, Notebook/Laptop or PC to a monitor, TV or projector - for screen transmissions in excellent quality with resolutions of up to 3840x2160 @60Hz!**

- DisplayPort is a universal connection standard for the transmission of picture and sound signals. Applications include mainly the connection of monitors and televisions to computers, BluRay players and similar devices.
- The connector requires less space and is therefore more suitable for portable display devices (ultrabooks, notebooks/laptops) or for 2 connectors on a graphics card (on a slot plate).
- The practical plug design prevents the cable from slipping out of the DisplayPort socket.
- Compliant DP v1.2 (max. 3840 x 2160 @60Hz)

**roline**<sup>®</sup>  
Designed for Professionals

Order-No. – P.U.

|  |                 |
|--|-----------------|
| ROLINE DisplayPort Cable, DP-DP, M/M, black, 1 m   | 11.04.5601 – 20 |
| ROLINE DisplayPort Cable, DP-DP, M/M, black, 1.5 m | 11.04.5629 – 20 |
| ROLINE DisplayPort Cable, DP-DP, M/M, black, 2 m   | 11.04.5602 – 20 |
| ROLINE DisplayPort Cable, DP-DP, M/M, black, 3 m   | 11.04.5603 – 20 |
| ROLINE DisplayPort Cable, DP-DP, M/M, black, 5 m   | 11.04.5605 – 10 |
| ROLINE DisplayPort Cable, DP-DP, M/M, black, 7.5 m | 11.04.5604 – 10 |
| ROLINE DisplayPort Cable, DP-DP, M/M, black, 10 m  | 11.04.5609 – 5  |

**\*Halogenfree  
Flame Retardant  
Low Smoke**

Order-No. – P.U.

|   |                 |
|---|-----------------|
| ROLINE DisplayPort Cable, DP-DP, LSOH, M/M, 1 m   | 11.04.5761 – 20 |
| ROLINE DisplayPort Cable, DP-DP, LSOH, M/M, 1.5 m | 11.04.5767 – 20 |
| ROLINE DisplayPort Cable, DP-DP, LSOH, M/M, 2 m   | 11.04.5762 – 20 |
| ROLINE DisplayPort Cable, DP-DP, LSOH, M/M, 3 m   | 11.04.5763 – 20 |
| ROLINE DisplayPort Cable, DP-DP, LSOH, M/M, 5 m   | 11.04.5764 – 10 |
| ROLINE DisplayPort Cable, DP-DP, LSOH, M/M, 7.5 m | 11.04.5765 – 10 |
| ROLINE DisplayPort Cable, DP-DP, LSOH, M/M, 10 m  | 11.04.5766 – 5  |

## ROLINE DisplayPort Cables, v1.2, DP-DP

4K

For the connection of e. g. mobile phones / smartphones or digital cameras / DSLRs.

- Cable with DisplayPort male connector on both sides
- Double shielded
- High quality cable with golden shell for better shielding
- Gold plated contacts for enhanced durability
- Nylon-reinforced outer material for a better stability



Order-No. – P.U.

|   |                 |
|---|-----------------|
| ROLINE DisplayPort Cable, DP-DP, v1.2, M/M, 1 m   | 11.04.5880 – 20 |
| ROLINE DisplayPort Cable, DP-DP, v1.2, M/M, 1.5 m | 11.04.5886 – 20 |
| ROLINE DisplayPort Cable, DP-DP, v1.2, M/M, 2 m   | 11.04.5881 – 20 |
| ROLINE DisplayPort Cable, DP-DP, v1.2, M/M, 3 m   | 11.04.5882 – 20 |

**roline**<sup>®</sup>  
Designed for Professionals

## ROLINE DisplayPort Cables, v1.2, TPE, DP-DP

4K

2160p  
UHD-1

**ROLINE DisplayPort v1.2 cable with DP connection on both sides and highly flexible TPE outer jacket for connecting an Ultrabook, Notebook/Laptop or PC with a monitor, TV, beamer or projector - for screen transmissions in excellent quality with a resolution of up to 3840x2160 / 4096x2560 @60Hz!**

- The cable complies with the DisplayPort v1.2 standard and therefore easily reaches resolutions in the range of 4K@60Hz

- The connection requires little space and is therefore best suited for portable display devices (ultrabooks, notebooks/laptops) or for 2 connections on a graphics card (on one slot level)
- The practical plug design prevents the cable from slipping out of the DisplayPort socket
- Elastic and very flexible thanks to TPE outer sheath- best properties for cable ducts and similar applications where space is limited
- Material: TPE (Thermoplastic Elastomer)
- Compliant DP v1.2 (max. 4096 x 2560 @60Hz)



Order-No. – P.U.

|   |                 |
|---|-----------------|
| ROLINE DisplayPort Cable, v1.2, TPE, DP-DP, M/M, black, 1 m   | 11.04.5980 – 20 |
| ROLINE DisplayPort Cable, v1.2, TPE, DP-DP, M/M, black, 1.5 m | 11.04.5981 – 20 |
| ROLINE DisplayPort Cable, v1.2, TPE, DP-DP, M/M, black, 2 m   | 11.04.5982 – 20 |
| ROLINE DisplayPort Cable, v1.2, TPE, DP-DP, M/M, black, 3 m   | 11.04.5983 – 20 |
| ROLINE DisplayPort Cable, v1.2, TPE, DP-DP, M/M, black, 5 m   | 11.04.5984 – 10 |
| ROLINE DisplayPort Cable, v1.2, TPE, DP-DP, M/M, black, 7.5 m | 11.04.5985 – 10 |
| ROLINE DisplayPort Cable, v1.2, TPE, DP-DP, M/M, black, 10 m  | 11.04.5986 – 5  |

**roline**<sup>®</sup>  
Designed for Professionals

## VALUE DisplayPort Cables, v1.4, DP-DP

8K

4320p

**DisplayPort Cables with DP connection on both sides for connecting an Ultrabook, Notebook/Laptop or PC to a monitor, TV or projector - for screen transmissions in excellent quality with resolutions of up to 7680x4320 @30Hz!**

- The practical plug design prevents the cable from slipping out of the DisplayPort socket.
- Compliant to DP v1.4 (max. 7680x4320 @30Hz)

**Value**<sup>®</sup>

Order-No. – P.U.

|   |                 |
|---|-----------------|
| VALUE DisplayPort Cable, v1.4, DP-DP, M/M, black, 1 m   | 11.99.5810 – 20 |
| VALUE DisplayPort Cable, v1.4, DP-DP, M/M, black, 1.5 m | 11.99.5798 – 20 |
| VALUE DisplayPort Cable, v1.4, DP-DP, M/M, black, 2 m   | 11.99.5811 – 10 |
| VALUE DisplayPort Cable, v1.4, DP-DP, M/M, black, 3 m   | 11.99.5812 – 10 |
| VALUE DisplayPort Cable, v1.4, DP-DP, M/M, black, 5 m   | 11.99.5813 – 10 |



## ROLINE DisplayPort Cables, v1.4, DP-DP

8K 4320p

**DisplayPort Cables with DP connection on both sides for connecting an Ultrabook, Notebook/Laptop or PC to a monitor, TV or projector - for screen transmissions in excellent quality with resolutions of up to 7680x4320 @30Hz!**

- The practical plug design prevents the cable from slipping out of the DisplayPort socket.
- Compliant to DP v1.4 (max. 7680x4320 @30Hz)



## Order-No. – P.U.

|  |                 |
|--|-----------------|
| ROLINE DisplayPort Cable, v1.4, DP-DP, M/M, black, 1 m   | 11.04.5810 – 20 |
| ROLINE DisplayPort Cable, v1.4, DP-DP, M/M, black, 1.5 m | 11.04.5798 – 20 |
| ROLINE DisplayPort Cable, v1.4, DP-DP, M/M, black, 2 m   | 11.04.5811 – 10 |
| ROLINE DisplayPort Cable, v1.4, DP-DP, M/M, black, 3 m   | 11.04.5812 – 10 |
| ROLINE DisplayPort Cable, v1.4, DP-DP, M/M, black, 5 m   | 11.04.5813 – 10 |

**roline**<sup>®</sup>  
Designed for Professionals

## ROLINE DisplayPort Cable, v1.4, DP-DP

8K 4320p

**ROLINE DisplayPort Cable with DP connection on both sides for connecting an Ultrabook, Notebook/Laptop or PC to a monitor, TV or projector - for screen transmissions in excellent quality with resolutions of up to 7680x4320 @60Hz!**

- DisplayPort is a universal connection standard for the transmission of picture and sound signals, widely known and appreciated in computer, industry and modern house wiring. Applications include mainly the connection of monitors or projectors to computers, notebooks/laptops, ultrabooks, NUCs and similar devices.
- The connector requires less space than VGA or DVI and is therefore more suitable for portable devices for two connectors on a graphics card (on one slot plate).
- DisplayPort v1.4 supports Display Stream Compression 1.2a (DSC), Forward Error Correction and the HDR10 standard.
- The robust nylon braid protects the DisplayPort cable effectively and sets it in scene visually.
- DP v1.4 can reach a maximum resolution of 8K (7680x4320) @60Hz or 4K (3840x2160) @120Hz
- The practical plug design prevents the cable from slipping out of the DisplayPort socket and guarantees a stable audio and video transmission.

- Compliant DP v1.4 (max. 7680 x 4320 @60Hz)



## Order-No. – P.U.

|  |                 |
|--|-----------------|
| ROLINE DisplayPort Cable, v1.4, DP-DP, M/M, black, 1 m | 11.04.5866 – 20 |
| ROLINE DisplayPort Cable, v1.4, DP-DP, M/M, black, 2 m | 11.04.5867 – 20 |
| ROLINE DisplayPort Cable, v1.4, DP-DP, M/M, black, 3 m | 11.04.5868 – 20 |

**roline**<sup>®</sup>  
Designed for Professionals

## ROLINE DisplayPort Cables, v1.4, DP-DP, SLIM

8K 4320p

**ROLINE DisplayPort Cable with DP connection on both sides for connecting an Ultrabook, Notebook/Laptop or PC to a monitor, TV or projector - for screen transmissions in excellent quality with resolutions of up to 7680x4320 @60Hz!**

- DisplayPort v1.4 supports Display Stream Compression 1.2a (DSC), Forward Error Correction and the HDR10 standard.
- DP v1.4 can reach a maximum resolution of 8K (7680x4320) @60Hz or 4K (3840x2160) @120Hz
- The practical plug design prevents the cable from slipping out of the DisplayPort socket and guarantees a stable audio and video transmission.
- This particular cable has a slim outer diameter to allow an even more flexible wiring and on the go usage
- The red connector fillings mark the cable as a high quality product and may help to identify it fast in an environment with a lot of different DisplayPort cables
- Compliant DP v1.4 (max. 7680 x 4320 @60Hz)



## Order-No. – P.U.

|  |                 |
|--|-----------------|
| ROLINE DisplayPort Cable, v1.4, DP-DP, M/M, SLIM, black, 1 m   | 11.04.5960 – 20 |
| ROLINE DisplayPort Cable, v1.4, DP-DP, M/M, SLIM, black, 1.5 m | 11.04.5961 – 20 |

**roline**<sup>®</sup>  
Designed for Professionals



## ROLINE DisplayPort Cables, v2.0, DP-DP

8K 4320p

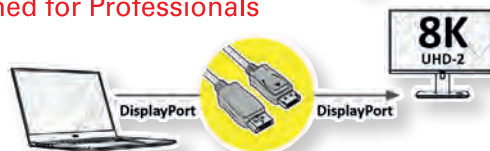
**ROLINE DisplayPort Cable with DP connection on both sides for connecting an Ultrabook, Notebook/Laptop or PC to a monitor, TV or projector - for screen transmissions in excellent quality with resolutions of up to 7680x4320 @60Hz!**

- DisplayPort is a universal connection standard for the transmission of picture and sound signals, widely known and appreciated in computer, industry and modern house wiring. Applications include mainly the connection of monitors or projectors to computers, notebooks/laptops, ultrabooks, NUCs and similar devices.
- The connector requires less space than VGA or DVI and is therefore more suitable for portable devices for two connectors on a graphics card (on one slot plate).
- DisplayPort v2.0 supports Display Stream Compression 1.2a (DSC), Forward Error Correction and the HDR10 standard.
- The practical plug design prevents the cable from slipping out of the DisplayPort socket and guarantees a stable audio and video transmission.
- Compliant DP v2.0 (max. 7680 x 4320 @60Hz)

Order-No. – P.U.

|  |                 |
|--|-----------------|
| ROLINE DisplayPort Cable, v2.0, DP-DP, M/M, black, 1 m   | 11.04.6000 – 10 |
| ROLINE DisplayPort Cable, v2.0, DP-DP, M/M, black, 1.5 m | 11.04.6001 – 10 |
| ROLINE DisplayPort Cable, v2.0, DP-DP, M/M, black, 2 m   | 11.04.6002 – 10 |
| ROLINE DisplayPort Cable, v2.0, DP-DP, M/M, black, 3 m   | 11.04.6003 – 10 |
| ROLINE DisplayPort Cable, v2.0, DP-DP, M/M, black, 5 m   | 11.04.6004 – 10 |

**roline**<sup>®</sup>  
Designed for Professionals



## ROLINE DisplayPort Cables, DP - UHDTV, Slim, M/M

4K 2160p

**DisplayPort to UHDTV cable for transferring content from your graphics card (DisplayPort) to your TV (UHDTV) - with a quality of up to 3840x2160 @60Hz, incl. audio transmission!**

- HDTV is the standard for digital video transmission in the TV/multimedia sector for e. g.: Connection of a TV set with HDMI interface to a player with DisplayPort connection.
- Cable with one DisplayPort and one HDTV plug.
- Note: A DisplayPort HDTV cable can only be used in one direction: the DisplayPort connector can only be used on the data source side (e. g. graphics card).

**roline**<sup>®</sup>  
Designed for Professionals

Order-No. – P.U.

|   |                 |
|---|-----------------|
| ROLINE DisplayPort Cable, DP - UHDTV, Slim, M/M, black, 1 m | 11.04.5995 – 10 |
| ROLINE DisplayPort Cable, DP - UHDTV, Slim, M/M, black, 2 m | 11.04.5996 – 10 |
| ROLINE DisplayPort Cable, DP - UHDTV, Slim, M/M, black, 3 m | 11.04.5997 – 10 |



## VALUE DisplayPort Cable, v1.4, 8K (7680 x 4320), DP-DP, Flat

8K 4320p

**VALUE Flat DisplayPort Cable with DP connection on both sides for connecting an Ultrabook, Notebook/Laptop or PC to a monitor, TV or projector - for screen transmissions in excellent quality with resolutions of up to 7680x4320 @60Hz!**

- DisplayPort is a universal connection standard for the transmission of picture and sound signals, widely known and appreciated in computer, industry and modern house wiring. Applications include mainly the connection of monitors or projectors to computers, notebooks/laptops, ultrabooks, NUCs and similar devices.
- The connector requires less space than VGA or DVI and is therefore more suitable for portable devices for two connectors on a graphics card (on one slot plate).
- DisplayPort v1.4 supports Display Stream Compression 1.2a (DSC), Forward Error Correction and the HDR10 standard.
- DP v1.4 can reach a maximum resolution of 8K (7680x4320) @60Hz or 4K (3840x2160) @120Hz
- **Flat design**
- The practical plug design prevents the cable from slipping out of the DisplayPort socket and guarantees a stable audio and video transmission.
- Compliant with DP v1.4 (max. 7680 x 4320 @60Hz)

Order-No. – P.U.

|   |                 |
|---|-----------------|
| VALUE DisplayPort Cable, v1.4, DP-DP, Flat, M/M, black, 1 m | 11.99.5861 – 20 |
| VALUE DisplayPort Cable, v1.4, DP-DP, Flat, M/M, black, 2 m | 11.99.5862 – 10 |
| VALUE DisplayPort Cable, v1.4, DP-DP, Flat, M/M, black, 3 m | 11.99.5863 – 10 |
| VALUE DisplayPort Cable, v1.4, DP-DP, Flat, M/M, black, 5 m | 11.99.5864 – 10 |

**Value**<sup>®</sup>



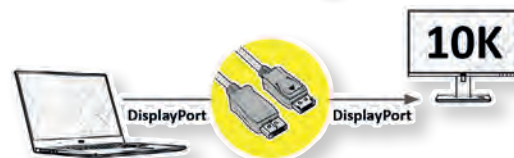
## VALUE / ROLINE DisplayPort Cable, v2.1, 10K, DP-DP

10K 4320p

**DisplayPort Cable with DP connection on both sides for connecting an Ultrabook, Notebook/Laptop or PC to a monitor, TV or projector - for screen transmissions in excellent quality with resolutions of up to 10240x4320 @60Hz!**

- DisplayPort is a universal connection standard for the transmission of picture and sound signals, widely known and appreciated in computer, industry and modern house wiring. Applications include mainly the connection of monitors or projectors to computers, notebooks/laptops, ultrabooks, NUCs and similar devices.
- The connector requires less space than VGA or DVI and is therefore more suitable for portable devices for two connectors on a graphics card (on one slot plate).
- DisplayPort v2.1 supports Display Stream Compression 1.2a (DSC), Forward Error Correction and the HDR10 standard.
- DP v2.1 can reach a maximum resolution of 10K (10240x4320) @60Hz or 4K (3840x2160) @120Hz
- The practical plug design prevents the cable from slipping out of the DisplayPort socket and guarantees a stable audio and video transmission.
- Compliant DP v2.1 (max. 10240 x 4320 @60Hz)

|   | Order-No.  | – P.U. |
|---|------------|--------|
| VALUE DisplayPort Cable, v2.1, 10K@60Hz, 40Gbit/s, UHBR10, DP-DP, M/M, black, 1 m | 11.99.6020 | – 10   |
| VALUE DisplayPort Cable, v2.1, 10K@60Hz, 40Gbit/s, UHBR10, DP-DP, M/M, black, 2 m | 11.99.6022 | – 10   |
| VALUE DisplayPort Cable, v2.1, 10K@60Hz, 40Gbit/s, UHBR10, DP-DP, M/M, black, 3 m | 11.99.6023 | – 10   |
| VALUE DisplayPort Cable, v2.1, 10K@60Hz, 40Gbit/s, UHBR10, DP-DP, M/M, black, 5 m | 11.99.6024 | – 10   |
| Order-No.   | – P.U.     |        |
| ROLINE DisplayPort Cable, v2.1, 10K, DP-DP, M/M, black, 1 m                       | 11.04.6020 | – 10   |
| ROLINE DisplayPort Cable, v2.1, 10K, DP-DP, M/M, black, 1.5 m                     | 11.04.6021 | – 10   |
| ROLINE DisplayPort Cable, v2.1, 10K, DP-DP, M/M, black, 2 m                       | 11.04.6022 | – 10   |
| ROLINE DisplayPort Cable, v2.1, 10K, DP-DP, M/M, black, 3 m                       | 11.04.6023 | – 10   |
| ROLINE DisplayPort Cable, v2.1, 10K, DP-DP, M/M, black, 5 m                       | 11.04.6024 | – 10   |



**roline**<sup>®</sup>  
Designed for Professionals

**Value**<sup>®</sup>

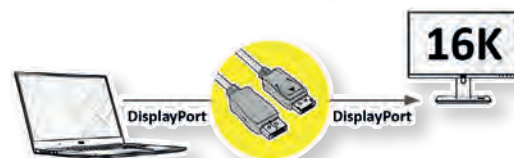
## VALUE / ROLINE DisplayPort Cable, v2.1, 16K, DP-DP

16K 8640p

**DisplayPort Cable with DP connection on both sides for connecting an Ultrabook, Notebook/Laptop or PC to a monitor, TV or projector - for screen transmissions in excellent quality with resolutions of up to 15360x8640 @60Hz!**

- DisplayPort is a universal connection standard for the transmission of picture and sound signals, widely known and appreciated in computer, industry and modern house wiring. Applications include mainly the connection of monitors or projectors to computers, notebooks/laptops, ultrabooks, NUCs and similar devices.
- The connector requires less space than VGA or DVI and is therefore more suitable for portable devices for two connectors on a graphics card (on one slot plate).
- DisplayPort v2.1 supports Display Stream Compression 1.2a (DSC), Forward Error Correction and the HDR10 standard.
- DP v2.1 can reach a maximum resolution of 16K (15360x8640 @60Hz) or 4K (3840x2160) @120Hz
- The practical plug design prevents the cable from slipping out of the DisplayPort socket and guarantees a stable audio and video transmission.
- Compliant DP v2.1 (max. 15360x8640 @60Hz)

|   | Order-No.  | – P.U. |
|---|------------|--------|
| VALUE DisplayPort Cable, v2.1, 16K@60Hz, 80Gbit/s, UHBR20, DP-DP, M/M, black, 1 m | 11.99.6025 | – 10   |
| VALUE DisplayPort Cable, v2.1, 16K@60Hz, 80Gbit/s, UHBR20, DP-DP, M/M, black, 2 m | 11.99.6026 | – 10   |
| VALUE DisplayPort Cable, v2.1, 16K@60Hz, 80Gbit/s, UHBR20, DP-DP, M/M, black, 3 m | 11.99.6027 | – 10   |
| VALUE DisplayPort Cable, v2.1, 16K@60Hz, 80Gbit/s, UHBR20, DP-DP, M/M, black, 5 m | 11.99.6028 | – 10   |
| Order-No.   | – P.U.     |        |
| ROLINE DisplayPort Cable, v2.1, 16K, DP-DP, M/M, black, 1 m                       | 11.04.6025 | – 10   |
| ROLINE DisplayPort Cable, v2.1, 16K, DP-DP, M/M, black, 2 m                       | 11.04.6026 | – 10   |
| ROLINE DisplayPort Cable, v2.1, 16K, DP-DP, M/M, black, 3 m                       | 11.04.6027 | – 10   |



**roline**<sup>®</sup>  
Designed for Professionals

**Value**<sup>®</sup>

### ROLINE Thunderbolt™ 4 Cable, 40Gbit/s, 100W, C-C, passive / active

**8K** 4320p

Thunderbolt 4 cables with the USB Type C connector offer you the currently highest possible data transfer rate of up to 40Gbit/s and full Power Delivery support (PD up to 20V 5A / 100W)! The cables also feature DP mode for particularly high-resolution image and sound transmission of up to 7680x4320 @60Hz (8K).

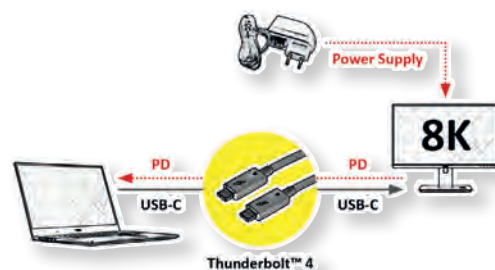
- Thunderbolt protocols allow maximum data transfer rates of up to 40Gbit/s
- DP mode for connecting a monitor with USB Type C / Thunderbolt 4 connector, with a maximum resolution of 7680x4320 @60Hz (8K)
- One of the best applications is to connect your Thunderbolt 4 cable with a Thunderbolt device like a corresponding MacBook and matching USB Type C monitor; If Thunderbolt 4 is supported, the full 8K resolution is possible (8K, 7680x4320 @60Hz with USB 3.1 support) and your device gets powered at the same time
- Supports USB Power Delivery up to 20V 5A / 100W, for powering your Macbook, Ultrabook or notebook/laptop
- High-quality cable with improved shielding
- With reversible USB type C connector at both ends
- Gold plated contacts for low wear at high mating cycles
- Colour: black

Thunderbolt and the Thunderbolt logo are trademarks of Intel Corporation in the U.S. and/or other countries.

**roline**<sup>®</sup>  
Designed for Professionals

**Order-No. – P.U.**

|  |                 |
|--|-----------------|
| ROLINE Thunderbolt™ 4 Cable, 40Gbit/s, 100W, C-C, M/M, passive, black, 0.5 m | 11.02.9043 – 10 |
| ROLINE Thunderbolt™ 4 Cable, 40Gbit/s, 100W, C-C, M/M, passive, black, 0.8 m | 11.02.9044 – 10 |
| ROLINE Thunderbolt™ 4 Cable, 40Gbit/s, 100W, C-C, M/M, passive, black, 1 m   | 11.02.9046 – 10 |
| ROLINE Thunderbolt™ 4 Cable, 40Gbit/s, 100W, C-C, M/M, active, black, 1.5 m  | 11.02.9047 – 10 |
| ROLINE Thunderbolt™ 4 Cable, 40Gbit/s, 100W, C-C, M/M, active, black, 2 m    | 11.02.9048 – 10 |



### ROLINE Thunderbolt™ 5 Cable, 80Gbit/s, 240W, C-C, Passive

**16K** 8640p

**NEW**

Thunderbolt 5 cables with the USB Type C connector offer you the currently highest possible data transfer rate of up to 80Gbit/s and full Power Delivery support (PD up to 240W)! The cables also feature DP mode for particularly high-resolution image and sound transmission of up to 7680x4320 @60Hz (8K).

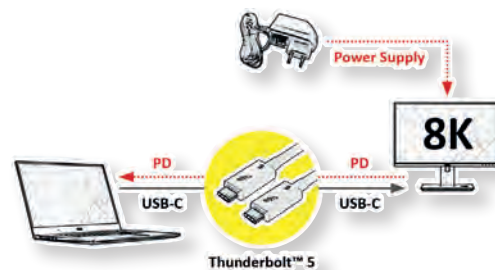
- Thunderbolt 5 protocols allow maximum data transfer rates of up to 80Gbit/s and Bandwidth Boost with 120Gbit/s in asynchronous mode
- Display support is up to 3 x 4K@144 Hz or dual 8K @60 Hz
- DP mode for connecting a monitor with USB Type C / Thunderbolt 5 connector, with a maximum resolution of 7680x4320 @60Hz (8K)
- One of the best applications is to connect your Thunderbolt 5 cable with a Thunderbolt device like a corresponding MacBook and matching USB Type C monitor; If Thunderbolt 5 is supported, the full 8K resolution is possible (8K, 7680x4320 @60Hz with USB 3.1 support) and your device gets powered at the same time
- Supports USB Power Delivery up to 240W, for powering your Macbook, Ultrabook or notebook/laptop
- High-quality cable with improved shielding
- With reversible USB type C connector at both ends
- Gold plated contacts for low wear at high mating cycles
- Colour: black

Thunderbolt and the Thunderbolt logo are trademarks of Intel Corporation in the U.S. and/or other countries.

**roline**<sup>®</sup>  
Designed for Professionals

**Order-No. – P.U.**

|  |                 |
|--|-----------------|
| ROLINE Thunderbolt™ 5 Cable, 80Gbit/s, 240W, C-C, M/M, passive, black, 0.5 m | 11.02.9110 – 10 |
| ROLINE Thunderbolt™ 5 Cable, 80Gbit/s, 240W, C-C, M/M, passive, black, 0.8 m | 11.02.9111 – 10 |
| ROLINE Thunderbolt™ 5 Cable, 80Gbit/s, 240W, C-C, M/M, passive, black, 1 m   | 11.02.9112 – 10 |





VALUE DisplayPort Cables, DP - Mini DP

2K 1600p

DisplayPort is a digital display interface standard that defines a new digital audio/video interconnection. The intension of the DisplayPort is to be used primarily between a computer and its display monitor, or a computer and a home-theater. The DisplayPort and the HDMI signal are compatible.

- Cable with DisplayPort male to Mini DisplayPort male (e.g. for MAC)
- **Compliant DP v1.1**



Order-No. – P.U.

|  |                 |
|--|-----------------|
| VALUE DisplayPort Cable, DP - Mini DP, M/M, black, 1 m   | 11.99.5634 – 20 |
| VALUE DisplayPort Cable, DP - Mini DP, M/M, black, 1.5 m | 11.99.5638 – 20 |
| VALUE DisplayPort Cable, DP - Mini DP, M/M, black, 2 m   | 11.99.5635 – 20 |
| VALUE DisplayPort Cable, DP - Mini DP, M/M, black, 3 m   | 11.99.5636 – 20 |
| VALUE DisplayPort Cable, DP - Mini DP, M/M, black, 5 m   | 11.99.5637 – 10 |

ROLINE DisplayPort Cables, DP - Mini DP

2K 1600p

DisplayPort is a digital display interface standard that defines a new digital audio/video interconnection. The intension of the DisplayPort is to be used primarily between a computer and its display monitor, or a computer and a home-theater. The DisplayPort and the HDMI signal are compatible.

- Cable with DisplayPort male to Mini DisplayPort male (e.g. for MAC)
- **Compliant DP v1.1**



Order-No. – P.U.

|   |                 |
|---|-----------------|
| ROLINE DisplayPort Cable, DP - Mini DP, M/M, black, 1 m   | 11.04.5634 – 20 |
| ROLINE DisplayPort Cable, DP - Mini DP, M/M, black, 1.5 m | 11.04.5638 – 20 |
| ROLINE DisplayPort Cable, DP - Mini DP, M/M, black, 2 m   | 11.04.5635 – 20 |
| ROLINE DisplayPort Cable, DP - Mini DP, M/M, black, 3 m   | 11.04.5636 – 20 |
| ROLINE DisplayPort Cable, DP - Mini DP, M/M, black, 5 m   | 11.04.5637 – 10 |

ROLINE Mini DisplayPort Cables, v1.4, Mini DP - DP

8K 4320p

**ROLINE DisplayPort cable with a Mini DP and a DP connector for connecting an ultrabook, notebook/laptop or PC to a monitor, TV or projector - for screen transmissions in excellent quality with a resolution of up to 7680x4320 @30Hz!**

- DisplayPort is a universal connection standard for the transmission of picture and sound signals. Applications include mainly the connection of monitors and televisions to computers, BluRay players and similar devices.
- The connector requires less space and is therefore more suitable for portable display devices (ultrabooks, notebooks/laptops) or for 2 connectors on a graphics card (on a slot plate).
- The practical plug design prevents the cable from slipping out of the DisplayPort socket.
- Compliant to DP v1.4 (max. 7680x4320 @30Hz)

Order-No. – P.U.

|  |                 |
|--|-----------------|
| ROLINE Mini DisplayPort Cable, v1.4, Mini DP - DP, M/M, black, 1 m | 11.04.5814 – 20 |
| ROLINE Mini DisplayPort Cable, v1.4, Mini DP - DP, M/M, black, 2 m | 11.04.5815 – 10 |

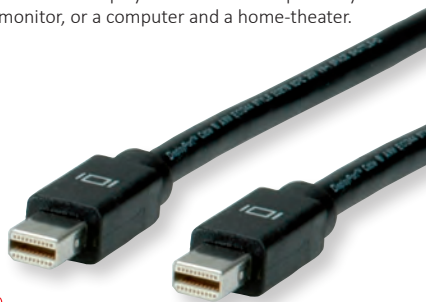


ROLINE Mini DisplayPort Cables, v1.1, Mini DP - Mini DP

2K 1600p

DisplayPort is a digital display interface standard that defines a new digital audio/video interconnection. The intension of the DisplayPort is to be used primarily between a computer and its display monitor, or a computer and a home-theater.

- **Compliant DP v1.1**



Order-No. – P.U.

|  |                 |
|--|-----------------|
| ROLINE Mini DisplayPort Cable, Mini DP - Mini DP, M/M, 2 m | 11.04.5640 – 20 |
| ROLINE Mini DisplayPort Cable, Mini DP - Mini DP, M/M, 3 m | 11.04.5641 – 20 |

ROLINE Mini DisplayPort Cables, v1.4, Mini DP - Mini DP

8K 4320p

**ROLINE DisplayPort Cable with Mini DP connection on both sides for connecting an Ultrabook, Notebook/Laptop or PC to a monitor, TV or projector - for screen transmissions in excellent quality with resolutions of up to 7680x4320 @30Hz!**

- DisplayPort is a universal connection standard for the transmission of picture and sound signals. Applications include mainly the connection of monitors and televisions to computers, BluRay players and similar devices.



- The connector requires less space and is therefore more suitable for portable display devices (ultrabooks, notebooks/laptops) or for 2 connectors on a graphics card (on a slot plate).
- Compliant to DP v1.4 (max. 7680 x 4320 @30Hz)



Order-No. – P.U.

|   |                 |
|---|-----------------|
| ROLINE Mini DisplayPort Cable, v1.4, Mini DP - Mini DP, M/M, black, 1 m | 11.04.5817 – 20 |
| ROLINE Mini DisplayPort Cable, v1.4, Mini DP - Mini DP, M/M, black, 2 m | 11.04.5818 – 10 |

## VALUE / ROLINE DisplayPort Cable, DP-DVI (24+1)

Connect your graphics card to a monitor with DVI connection via DisplayPort - with a maximum resolution of up to 1920x1080 @60Hz!

- DVI is the standard for digital video transmission in the computer sector.
- Display Port is the new standard for digital audio/video transmission in the TV and multimedia sector, e. g. for connecting a monitor with DVI interface to a graphic card with DisplayPort connection. The DisplayPort is signal compatible to DVI.
- Cable with one DisplayPort connector and one DVI connector
- Compliant DP v1.1 (max. 1920 x 1080 / 1920 x 1200 @60Hz)

**Remark: The DisplayPort to DVI cable is only working in one direction: the DisplayPort plug has to be connected to the source device (e.g. graphic card)**



**Value**<sup>®</sup>

\*Halogenfree  
Flame Retardant  
Low Smoke

2K 1080p  
FULL HD

Order-No. – P.U.

|  |                 |
|--|-----------------|
| VALUE DisplayPort Cable, DP-DVI (24+1), M/M, black, 1.0 m        | 11.99.5613 – 10 |
| VALUE DisplayPort Cable, DP-DVI (24+1), M/M, black, 1.5 m        | 11.99.5619 – 10 |
| VALUE DisplayPort Cable, DP-DVI (24+1), M/M, black, 2.0 m        | 11.99.5610 – 10 |
| VALUE DisplayPort Cable, DP-DVI (24+1), M/M, black, 3.0 m        | 11.99.5611 – 10 |
| VALUE DisplayPort Cable, DP-DVI (24+1), M/M, black, 5.0 m        | 11.99.5612 – 10 |
| VALUE DisplayPort Cable, DP-DVI (24+1), LSOH*, M/M, black, 1.0 m | 11.99.5614 – 10 |
| VALUE DisplayPort Cable, DP-DVI (24+1), LSOH*, M/M, black, 1.5 m | 11.99.5608 – 10 |
| VALUE DisplayPort Cable, DP-DVI (24+1), LSOH*, M/M, black, 2.0 m | 11.99.5615 – 10 |
| VALUE DisplayPort Cable, DP-DVI (24+1), LSOH*, M/M, black, 3.0 m | 11.99.5616 – 10 |
| VALUE DisplayPort Cable, DP-DVI (24+1), LSOH*, M/M, black, 5.0 m | 11.99.5617 – 10 |

**roline**<sup>®</sup>  
Designed for Professionals

\*Halogenfree  
Flame Retardant  
Low Smoke

2K 1080p  
FULL HD

Order-No. – P.U.

|   |                 |
|---|-----------------|
| ROLINE DisplayPort Cable, DP-DVI (24+1), M/M, black, 1.0 m        | 11.04.5613 – 10 |
| ROLINE DisplayPort Cable, DP-DVI (24+1), M/M, black, 1.5 m        | 11.04.5619 – 10 |
| ROLINE DisplayPort Cable, DP-DVI (24+1), M/M, black, 2.0 m        | 11.04.5610 – 10 |
| ROLINE DisplayPort Cable, DP-DVI (24+1), M/M, black, 3.0 m        | 11.04.5611 – 10 |
| ROLINE DisplayPort Cable, DP-DVI (24+1), M/M, black, 5.0 m        | 11.04.5612 – 10 |
| ROLINE DisplayPort Cable, DP-DVI (24+1), LSOH*, M/M, black, 1.0 m | 11.04.5771 – 20 |
| ROLINE DisplayPort Cable, DP-DVI (24+1), LSOH*, M/M, black, 1.5 m | 11.04.5775 – 20 |
| ROLINE DisplayPort Cable, DP-DVI (24+1), LSOH*, M/M, black, 2.0 m | 11.04.5772 – 20 |
| ROLINE DisplayPort Cable, DP-DVI (24+1), LSOH*, M/M, black, 3.0 m | 11.04.5773 – 20 |
| ROLINE DisplayPort Cable, DP-DVI (24+1), LSOH*, M/M, black, 5.0 m | 11.04.5774 – 10 |

## VALUE / ROLINE (Mini-) DisplayPort - VGA Cable, (Mini-) DP - VGA

Mini DisplayPort to VGA cable for connecting a graphics card with MiniDP to a monitor with VGA connector - with a resolution of up to 1920x1080@60Hz!

- For connecting a graphic card with Mini DisplayPort connector to a VGA monitor
- Supports maximum resolutions of up to 1920x1080 @60Hz
- The lock mechanisms of VGA prevent the plugs from slipping out of the source/ display and secure the connection
- Connectors: Mini DisplayPort Male and VGA Male

**• Remark: The Mini DisplayPort-VGA cable is only working in one direction: the Mini DisplayPort plug has to be connected to the source device (e.g. graphic card)**



**Value**<sup>®</sup>

2K 1080p  
FULL HD

Order-No. – P.U.

|  |                 |
|--|-----------------|
| VALUE Cable DisplayPort - VGA, M / M, black, 1 m   | 11.99.5800 – 20 |
| VALUE Cable DisplayPort - VGA, M / M, black, 1.5 m | 11.99.5801 – 15 |
| VALUE Cable DisplayPort - VGA, M / M, black, 2 m   | 11.99.5802 – 10 |
| VALUE Cable DisplayPort - VGA, M / M, black, 3 m   | 11.99.5803 – 10 |
| VALUE Cable DisplayPort - VGA, M / M, black, 5 m   | 11.99.5804 – 10 |

Order-No. – P.U.

|  |                 |
|--|-----------------|
| VALUE Cable MiniDisplayPort - VGA, Mini DP M - VGA M, black, 1 m   | 11.99.5805 – 20 |
| VALUE Cable MiniDisplayPort - VGA, Mini DP M - VGA M, black, 1.5 m | 11.99.5806 – 15 |
| VALUE Cable MiniDisplayPort - VGA, Mini DP M - VGA M, black, 2 m   | 11.99.5807 – 10 |
| VALUE Cable MiniDisplayPort - VGA, Mini DP M - VGA M, black, 5 m   | 11.99.5809 – 10 |

**roline**<sup>®</sup>  
Designed for Professionals

2K 1080p  
FULL HD

Order-No. – P.U.

|   |                 |
|---|-----------------|
| ROLINE Cable MiniDisplayPort - VGA, Mini DP M - VGA M, black, 1 m   | 11.04.5975 – 20 |
| ROLINE Cable MiniDisplayPort - VGA, Mini DP M - VGA M, black, 1.5 m | 11.04.5976 – 15 |
| ROLINE Cable MiniDisplayPort - VGA, Mini DP M - VGA M, black, 2 m   | 11.04.5977 – 10 |
| ROLINE Cable MiniDisplayPort - VGA, Mini DP M - VGA M, black, 3 m   | 11.04.5978 – 10 |
| ROLINE Cable MiniDisplayPort - VGA, Mini DP M - VGA M, black, 5 m   | 11.04.5979 – 10 |

Order-No. – P.U.

|   |                 |
|---|-----------------|
| ROLINE Cable DisplayPort - VGA, M / M, black, 1 m   | 11.04.5970 – 20 |
| ROLINE Cable DisplayPort - VGA, M / M, black, 1.5 m | 11.04.5971 – 15 |
| ROLINE Cable DisplayPort - VGA, M / M, black, 2 m   | 11.04.5972 – 10 |
| ROLINE Cable DisplayPort - VGA, M / M, black, 3 m   | 11.04.5973 – 10 |
| ROLINE Cable DisplayPort - VGA, M / M, black, 5 m   | 11.04.5974 – 10 |

**VALUE ROLINE Mini-/DisplayPort Cable, DP - HDTV**

**2K** **1080p**  
FULL HD

**DisplayPort to HDTV cable for transferring content from your graphics card (DisplayPort) to your TV (HDTV) - with a quality of up to 1920x1080 @60Hz, incl. audio transmission!**

- HDTV is the standard for digital video transmission in the TV/multimedia sector for e. g.: Connection of a TV set with HDMI interface to a playback device with DisplayPort connection.
- Cable with one DisplayPort and one HDTV plug. DisplayPort is signal compatible with HDMI.
- Note: A DisplayPort HDTV cable can only be used in one direction: the DisplayPort connector can only be used on the data source side (e.g. graphics card).



**Order-No. – P.U.**

|   |                 |
|---|-----------------|
| VALUE DisplayPort Cable, DP - HDTV, M/M, black, 1 m           | 11.99.5780 – 10 |
| VALUE DisplayPort Cable, DP - HDTV, M/M, black, 1.5 m         | 11.99.5779 – 10 |
| VALUE DisplayPort Cable, DP - HDTV, M/M, black, 2 m           | 11.99.5781 – 10 |
| VALUE DisplayPort Cable, DP - HDTV, M/M, black, 3 m           | 11.99.5782 – 10 |
| VALUE DisplayPort Cable, DP - HDTV, M/M, black, 4.5 m         | 11.99.5783 – 10 |
| VALUE DisplayPort Cable, DP - HDTV, M/M, black, 10 m          | 11.99.5784 – 5  |
| VALUE Mini DisplayPort Cable, Mini DP-HDTV, M/M, black, 1 m   | 11.99.5790 – 10 |
| VALUE Mini DisplayPort Cable, Mini DP-HDTV, M/M, black, 2 m   | 11.99.5791 – 10 |
| VALUE Mini DisplayPort Cable, Mini DP-HDTV, M/M, black, 3 m   | 11.99.5792 – 10 |
| VALUE Mini DisplayPort Cable, Mini DP-HDTV, M/M, black, 4.5 m | 11.99.5793 – 10 |

**Order-No. – P.U.**

|  |                 |
|--|-----------------|
| ROLINE DisplayPort Cable, DP - HDTV, M/M, black, 1 m           | 11.04.5780 – 10 |
| ROLINE DisplayPort Cable, DP - HDTV, M/M, black, 1.5 m         | 11.04.5779 – 10 |
| ROLINE DisplayPort Cable, DP - HDTV, M/M, black, 2 m           | 11.04.5781 – 10 |
| ROLINE DisplayPort Cable, DP - HDTV, M/M, black, 3 m           | 11.04.5782 – 10 |
| ROLINE DisplayPort Cable, DP - HDTV, M/M, black, 4.5 m         | 11.04.5783 – 10 |
| ROLINE Mini DisplayPort Cable, Mini DP-HDTV, M/M, black, 1 m   | 11.04.5790 – 10 |
| ROLINE Mini DisplayPort Cable, Mini DP-HDTV, M/M, black, 1.5 m | 11.04.5789 – 10 |
| ROLINE Mini DisplayPort Cable, Mini DP-HDTV, M/M, black, 2 m   | 11.04.5791 – 10 |
| ROLINE Mini DisplayPort Cable, Mini DP-HDTV, M/M, black, 3 m   | 11.04.5792 – 10 |
| ROLINE Mini DisplayPort Cable, Mini DP-HDTV, M/M, black, 4.5 m | 11.04.5793 – 10 |

**VALUE / ROLINE DP/Mini DisplayPort Cable, DP/Mini DP-UHDTV**

**4K** **2160p**  
UHD-1

**Mini DisplayPort to UHDTV cable for transferring content from your graphics card (DisplayPort) to your TV (UHDTV) - with a quality of up to 3840x2160 @60Hz, incl. audio transmission!**

- UHDTV is the standard for digital video transmission in the TV/multimedia sector for e. g.: Connection of a TV set with HDMI interface to a player with Mini DisplayPort connection.
- Cable with one Mini DisplayPort and one HDTV plug. DisplayPort is signal compatible with HDMI.
- Note: A DisplayPort UHDTV cable can only be used in one direction: the Mini DisplayPort connector can only be used on the data source side (e.g. graphics card, Macbook, Ultrabook, laptop/notebook or PC).



**Order-No. – P.U.**

|  |                 |
|--|-----------------|
| VALUE DisplayPort Cable, DP - UHDTV, M/M, black, 1 m         | 11.99.5785 – 10 |
| VALUE DisplayPort Cable, DP - UHDTV, M/M, black, 2 m         | 11.99.5786 – 10 |
| VALUE DisplayPort Cable, DP - UHDTV, M/M, black, 3 m         | 11.99.5787 – 10 |
| VALUE DisplayPort Cable, DP - UHDTV, M/M, black, 5 m         | 11.99.5788 – 10 |
| VALUE DisplayPort Cable, DP - UHDTV, M/M, black, 7.5 m       | 11.99.5789 – 10 |
| VALUE Mini DisplayPort Cable, Mini DP-UHDTV, M/M, black, 1 m | 11.99.5795 – 10 |
| VALUE Mini DisplayPort Cable, Mini DP-UHDTV, M/M, black, 2 m | 11.99.5796 – 10 |
| VALUE Mini DisplayPort Cable, Mini DP-UHDTV, M/M, black, 3 m | 11.99.5797 – 10 |

**Order-No. – P.U.**

|   |                 |
|---|-----------------|
| ROLINE DisplayPort Cable, DP - UHDTV, M/M, black, 1 m         | 11.04.5785 – 10 |
| ROLINE DisplayPort Cable, DP - UHDTV, M/M, black, 2 m         | 11.04.5786 – 10 |
| ROLINE DisplayPort Cable, DP - UHDTV, M/M, black, 3 m         | 11.04.5787 – 10 |
| ROLINE DisplayPort Cable, DP - UHDTV, M/M, black, 5 m         | 11.04.5788 – 10 |
| ROLINE DisplayPort Cable, DP - UHDTV, M/M, black, 7.5 m       | 11.04.5776 – 10 |
| ROLINE DisplayPort Cable, DP - UHDTV, M/M, black, 10 m        | 11.04.5777 – 10 |
| ROLINE Mini DisplayPort Cable, Mini DP-UHDTV, M/M, black, 1 m | 11.04.5795 – 10 |
| ROLINE Mini DisplayPort Cable, Mini DP-UHDTV, M/M, black, 2 m | 11.04.5796 – 10 |
| ROLINE Mini DisplayPort Cable, Mini DP-UHDTV, M/M, black, 3 m | 11.04.5797 – 10 |

**ROLINE Cables, UHDTV - DisplayPort, 4K**

**4K** **2160p**  
UHD-1

**UHDTV to DisplayPort cable for transferring content from your graphics card (UHDTV) to your monitor (DisplayPort) - with a quality of up to 3840x2160 @60Hz, incl. audio transmission!**

- HDTV is the standard for digital video transmission in the TV/multimedia sector for e. g.: Connection of a device with HDMI interface to a monitor with DisplayPort connection.
- Cable with one DisplayPort and one HDTV plug.
- Note: A UHDTV cable can only be used in one direction: the HDMI connector can only be used on the data source side (e.g. graphics card).



**Order-No. – P.U.**

|  |                 |
|--|-----------------|
| ROLINE Cable, UHDTV - DisplayPort, M/M, black, 1 m | 11.04.5991 – 10 |
| ROLINE Cable, UHDTV - DisplayPort, M/M, black, 2 m | 11.04.5992 – 10 |
| ROLINE Cable, UHDTV - DisplayPort, M/M, black, 3 m | 11.04.5993 – 10 |





# roline®

Designed for Professionals



## roline® GOLD

# Light

# Right

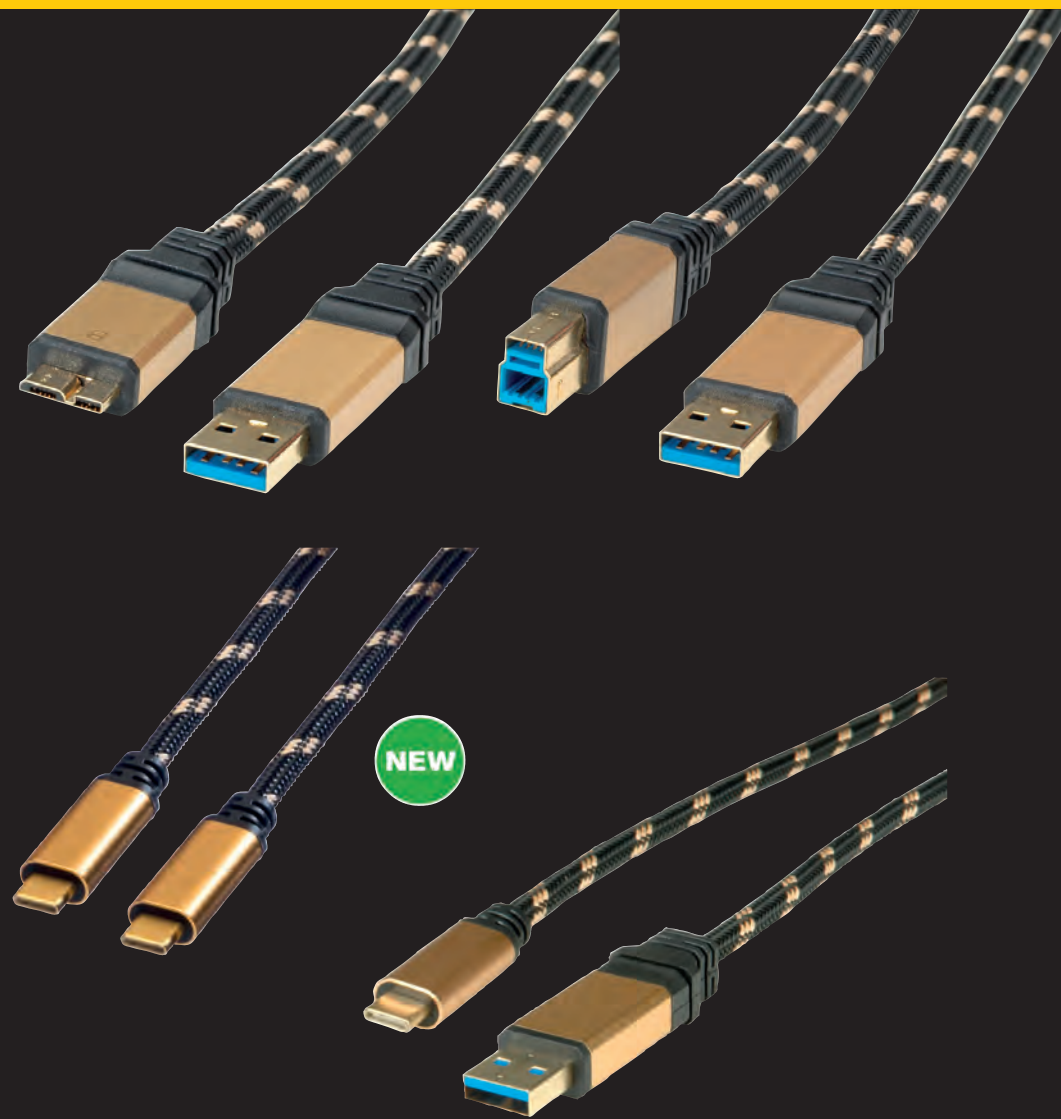
### ROLINE GOLD USB 2.0 Cables

**ROLINE GOLD - Top quality without any compromises!** Cables in ROLINE GOLD quality come with high quality shielding and gilded contacts for contact safety even at high plug-in cycles. The plugs are gold coated to enhance their contact durability. Nylon-reinforced outer material in golden/black provides a better stability and gives the cable a stunning look.

- The plugs are gold coated to enhance their contact durability
- Nylon-reinforced outer material for a better stability
- Supports data transfer rates of up to 480 Mbit/s



|  | Order-No.  | - P.U. |
|--|------------|--------|
| ROLINE GOLD USB 2.0 Cable, A - B, M/M, 1.8 m                       | 11.02.8802 | - 10   |
| ROLINE GOLD USB 2.0 Cable, A - B, M/M, 3.0 m                       | 11.02.8803 | - 10   |
| ROLINE GOLD USB 2.0 Cable, A - B, M/M, 4.5 m                       | 11.02.8805 | - 5    |
| ROLINE GOLD USB 2.0 Cable, A - 5-Pin Mini, M/M, 0.8 m              | 11.02.8821 | - 10   |
| ROLINE GOLD USB 2.0 Cable, A - 5-Pin Mini, M/M, 1.8 m              | 11.02.8822 | - 10   |
| ROLINE GOLD USB 2.0 Cable, A - 5-Pin Mini, M/M, 3.0 m              | 11.02.8823 | - 10   |
| ROLINE GOLD USB 2.0 Cable, A - Micro B, M/M, 0.8 m                 | 11.02.8825 | - 10   |
| ROLINE GOLD USB 2.0 Cable, A - Micro B, M/M, 1.8 m                 | 11.02.8826 | - 10   |
| ROLINE GOLD USB 2.0 Cable, reversible A - C 90° angled, M/M, 0.8 m | 11.02.9060 | - 10   |
| ROLINE GOLD USB 2.0 Cable, reversible A - C 90° angled, M/M, 1.8 m | 11.02.9061 | - 10   |
| ROLINE GOLD USB 2.0 Cable, reversible A - C 90° angled, M/M, 3 m   | 11.02.9062 | - 10   |
| ROLINE GOLD USB 2.0 Cable, A - Micro B (reversible), M/M, 0.8 m    | 11.02.8819 | - 10   |
| ROLINE GOLD USB 2.0 Cable, A - Micro B (reversible), M/M, 1.8 m    | 11.02.8820 | - 10   |
| ROLINE GOLD USB 2.0 A - Type C SELF-STAND Cable, M/M, 1m           | 11.02.8920 | - 10   |
| ROLINE GOLD USB 2.0 A - 8pin SELF-STAND Cable, M/M, 1m             | 11.02.8923 | - 10   |



NEW

**roline**<sup>®</sup> GOLD



**usb  
4  
gen  
3  
x  
2**

## ROLINE GOLD USB 3.2 Gen 1 / USB4 Gen 3x2 Cables

**ROLINE GOLD - Top quality without any compromises!** Cables in ROLINE GOLD quality come with high quality shielding and gilded contacts for contact safety even at high plug-in cycles. The plugs are gold coated to enhance their contact durability.

Nylon-reinforced outer material in golden/black provides a better stability and gives the cable a stunning look.

### ROLINE GOLD USB 3.0 / USB4 Cables

- The plugs are gold coated to enhance their contact durability
- Nylon-reinforced outer material for a better stability
- Supports data transfer rates of up to 40 Gbit/s
- Improved data encoding for more efficient data transfer leading to higher through-put and improved I/O power efficiency
- The contact plugs are gold coated to enhance their contact durability

- Only suitable for USB standard power supply to 5V / 900mA! (A - C version)

**Note:** According to the current specifications of USB.org we have adapted the technical data of our USB 3 products. The new designation for the already known USB specifications has been changed to USB 3.2 Gen 1 (formerly USB 3.0 / USB 3.1 Gen 1) and USB 3.2 Gen 2 (formerly USB 3.1 / USB 3.1 Gen 2).

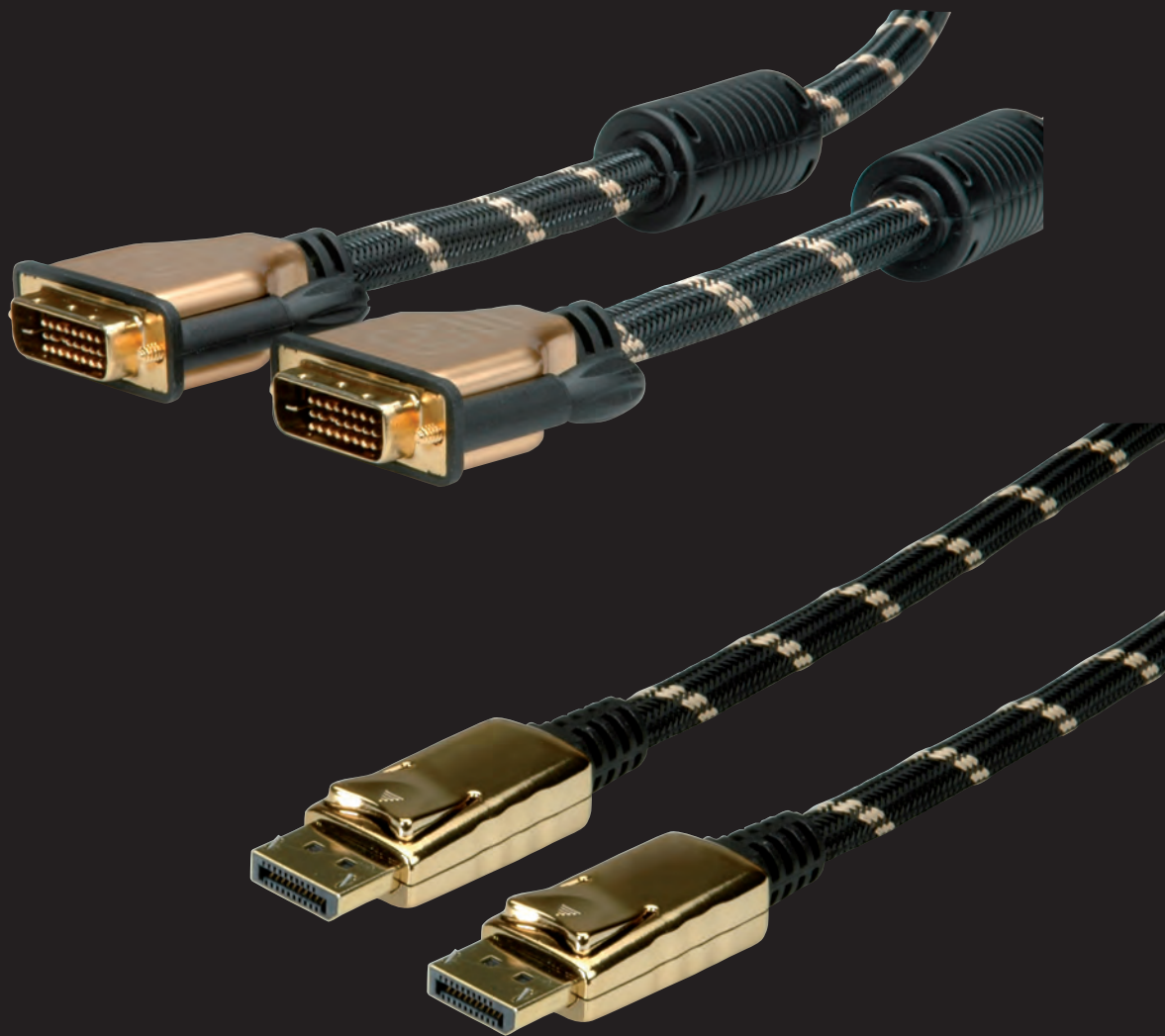
**roline**<sup>®</sup>  
Designed for Professionals

|  | Order-No.        | - P.U.        |
|--|------------------|---------------|
| ROLINE GOLD USB3.2 Gen1 Cable, A - B, M/M, 0.8 m                             | 11.02.8900       | - 10          |
| ROLINE GOLD USB3.2 Gen1 Cable, A - B, M/M, 1.8 m                             | 11.02.8902       | - 10          |
| ROLINE GOLD USB3.2 Gen1 Cable, A - B, M/M, 3 m                               | 11.02.8903       | - 10          |
| ROLINE GOLD USB3.2 Gen1 Cable, A - Micro B, M/M, 0.8 m                       | 11.02.8878       | - 10          |
| ROLINE GOLD USB3.2 Gen1 Cable, A - Micro B, M/M, 2 m                         | 11.02.8879       | - 10          |
| ROLINE GOLD USB3.2 Gen1 Cable, A-C, M/M, 0.5 m                               | 11.02.9012       | - 20          |
| ROLINE GOLD USB3.2 Gen1 Cable, A-C, M/M, 1 m                                 | 11.02.9013       | - 10          |
|  | <b>Order-No.</b> | <b>- P.U.</b> |
| ROLINE GOLD Cable USB4 Gen3x2, with Emark, C-C, M/M, 100W, black / gold, 1 m | 11.02.9038       | - 10          |
| ROLINE GOLD Cable USB4 Gen3x2, with Emark, C-C, M/M, 100W, black / gold, 2 m | 11.02.9039       | - 10          |



# Light

# Right



**roline**<sup>®</sup> GOLD

## ROLINE GOLD DVI and DisplayPort Monitor Cables

**ROLINE GOLD** - Top quality without any compromises! Cables in **ROLINE GOLD** quality come with high quality shielding and gilded contacts for contact safety even at high plug-in cycles. The plugs are gold coated to enhance their contact durability.

Nylon-reinforced outer material in golden/black provides a better stability and gives the cable a stunning look.

### ROLINE GOLD DVI Monitor Cables

- DVI-D dual link version with (24+1)-pin assignment, recommended for monitors with bigger screen sizes
- ROLINE Gold cable with gold plated contacts and metal connector housing
- Nylon-reinforced cable outer material for a better stability
- Ferrite cores
- Thumbscrews

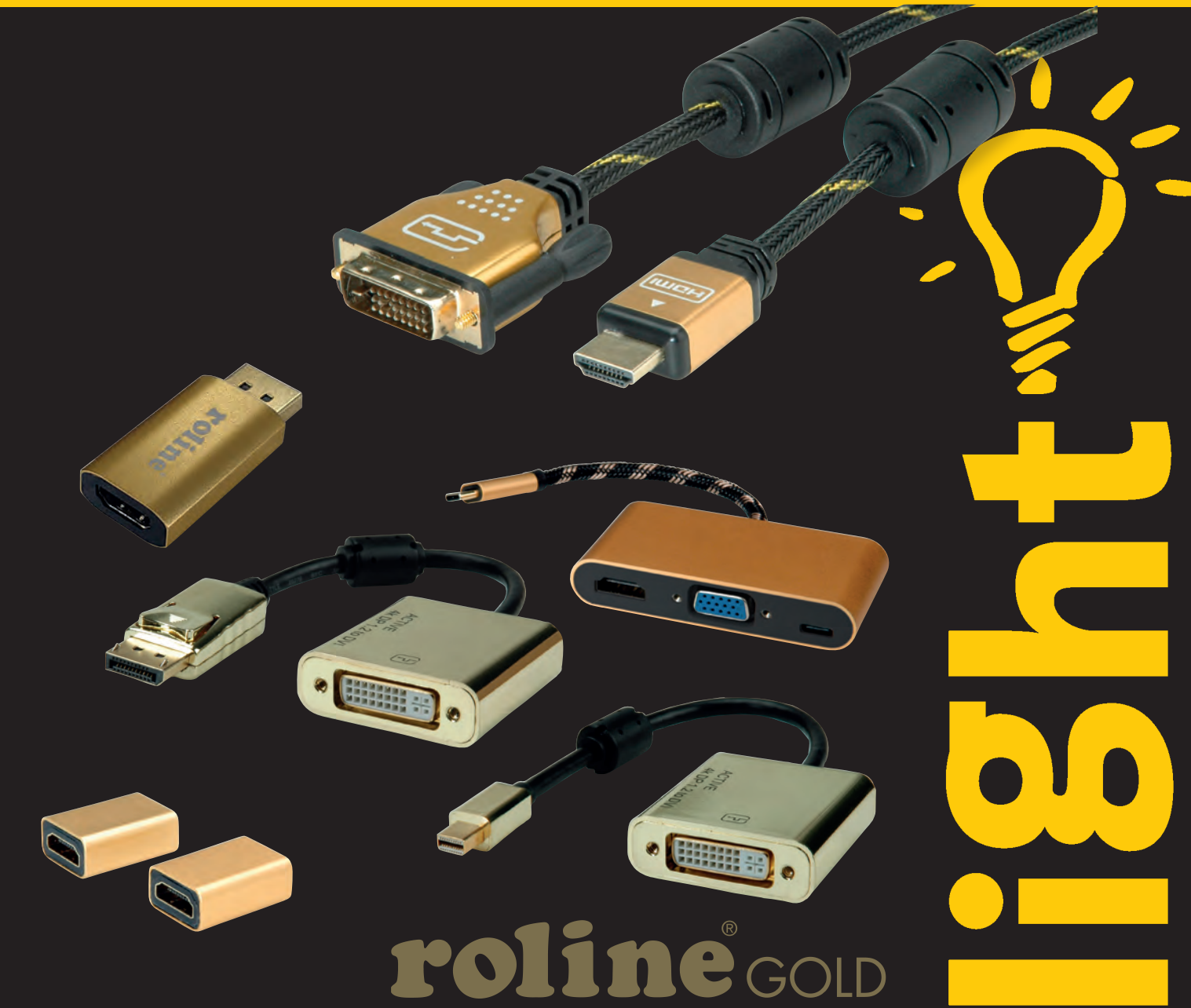
### ROLINE GOLD DisplayPort Cables

- Cable with DisplayPort male connector on both sides
- Gold plated contacts for enhanced durability
- Nylon-reinforced outer material for a better stability
- **Compliant DP v1.2 / v1.4**

**roline**<sup>®</sup>  
Designed for Professionals

|   | Order-No.  | - P.U. |
|---|------------|--------|
| ROLINE GOLD Monitor Cable, DVI (24+1), Dual Link, M/M, 1 m  | 11.04.5511 | - 10   |
| ROLINE GOLD Monitor Cable, DVI (24+1), Dual Link, M/M, 2 m  | 11.04.5512 | - 10   |
| ROLINE GOLD Monitor Cable, DVI (24+1), Dual Link, M/M, 3 m  | 11.04.5513 | - 10   |
| ROLINE GOLD Monitor Cable, DVI (24+1), Dual Link, M/M, 5 m  | 11.04.5514 | - 10   |
| ROLINE GOLD Monitor Cable, DVI (24+1), Dual Link, M/M, 10 m | 11.04.5518 | - 5    |
| ROLINE GOLD DisplayPort Cable, DP-DP, M/M, 1 m              | 11.04.5644 | - 10   |
| ROLINE GOLD DisplayPort Cable, DP-DP, M/M, 1.5 m            | 11.04.5639 | - 10   |
| ROLINE GOLD DisplayPort Cable, DP-DP, M/M, 2 m              | 11.04.5645 | - 10   |
| ROLINE GOLD DisplayPort Cable, DP-DP, M/M, 3 m              | 11.04.5646 | - 10   |
| ROLINE GOLD DisplayPort Cable, DP-DP, M/M, 5 m              | 11.04.5647 | - 5    |
| ROLINE GOLD DisplayPort Cable, DP-DP, M/M, 7.5 m            | 11.04.5648 | - 6    |
| ROLINE GOLD DisplayPort Cable, DP-DP, M/M, 10 m             | 11.04.5649 | - 5    |
| ROLINE GOLD DisplayPort Cable, v1.4, DP-DP, M/M, 1 m        | 11.04.5920 | - 20   |
| ROLINE GOLD DisplayPort Cable, v1.4, DP-DP, M/M, 2 m        | 11.04.5921 | - 10   |
| ROLINE GOLD DisplayPort Cable, v1.4, DP-DP, M/M, 3 m        | 11.04.5922 | - 10   |





roline  
 DisplayPort

## ROLINE GOLD DisplayPort-Adapter and Monitor Cables DVI-HDMI

**ROLINE GOLD HDMI to DVI cable for connecting an ultrabook, notebook/laptop or PC to a monitor, TV or projector - for screen transmissions in excellent quality with a resolution of up to 3840x2160 @30Hz!**

- The rugged nylon braid protects the cable effectively and makes it look stunning.
- High-quality, double-shielded cable (foil+braid) with gold-plated contacts for optimum transmission of image signals
- Supports 3D video
- HDMI Ethernet channel
- Audio return channel for forwarding signals to the audio/video receiver
- Golden connector housing
- Connectors: DVI-D (24+1) to HDMI

**ROLINE GOLD DisplayPort to HDMI cable adapter for connecting a graphics card with DP to a monitor with HDMI connection - with a resolution of up to 3840x2160 @30Hz!**

- If you want to connect a graphic card with DisplayPort Female to a monitor by using a HDMI cable, you need this DisplayPort to HDMI adapter
- Connectors: DisplayPort Male, HDMI Female
- DisplayPort version 1.2 allows increased resolutions, higher refresh rates, and greater color depth
- Max. resolution: 3840 x 2160 (@30Hz)
- Active

**ROLINE GOLD Mini DisplayPort to VGA cable adapter for connecting a graphics card with Mini DP to a monitor with VGA connector - with a resolution of up to 1920x1080 / 1920x1200 @60Hz!**

- Remark: The DisplayPort-HDMI adapter is only working in one direction: the DisplayPort plug has to be connected to the source device (e.g. graphic card)

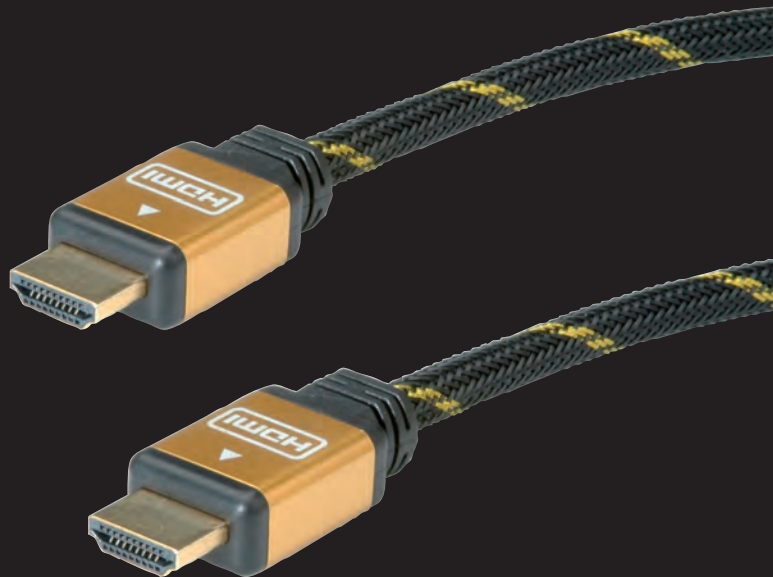
**roline**<sup>®</sup>  
 Designed for Professionals

|   | Order-No.  | P.U. |
|---|------------|------|
| ROLINE GOLD 4K DisplayPort-DVI Adapter, DP M - DVI F                | 12.03.3175 | - 10 |
| ROLINE GOLD 4K Mini DisplayPort-DVI Adapter, MiniDP M - DVI F       | 12.03.3176 | - 10 |
| ROLINE GOLD HDMI Adapter, HDMI F - HDMI F                           | 12.03.3153 | - 20 |
| ROLINE GOLD HDMI Adapter, HDMI F - HDMI Mini M                      | 12.03.3154 | - 20 |
| ROLINE GOLD Type C - VGA / HDMI / Type C PD Adapter, M/F            | 12.03.3155 | - 10 |
| ROLINE GOLD Type C - HDMI/VGA Adapter, M/F                          | 12.03.3165 | - 5  |
| ROLINE GOLD Adapter, DP-HDMI, v1.2, M/F                             | 12.03.3158 | - 20 |
| ROLINE GOLD Monitor Cable, DVI (24+1) - HDMI, Dual Link, M/M, 1 m   | 11.04.5890 | - 10 |
| ROLINE GOLD Monitor Cable, DVI (24+1) - HDMI, Dual Link, M/M, 1.5 m | 11.04.5896 | - 10 |
| ROLINE GOLD Monitor Cable, DVI (24+1) - HDMI, Dual Link, M/M, 2 m   | 11.04.5891 | - 10 |
| ROLINE GOLD Monitor Cable, DVI (24+1) - HDMI, Dual Link, M/M, 3 m   | 11.04.5892 | - 10 |
| ROLINE GOLD Monitor Cable, DVI (24+1) - HDMI, Dual Link, M/M, 5 m   | 11.04.5893 | - 10 |
| ROLINE GOLD Monitor Cable, DVI (24+1) - HDMI, Dual Link, M/M, 7.5 m | 11.04.5894 | - 5  |
| ROLINE GOLD Monitor Cable, DVI (24+1) - HDMI, Dual Link, M/M, 10 m  | 11.04.5895 | - 5  |



# Light

# High



## roline<sup>®</sup> GOLD

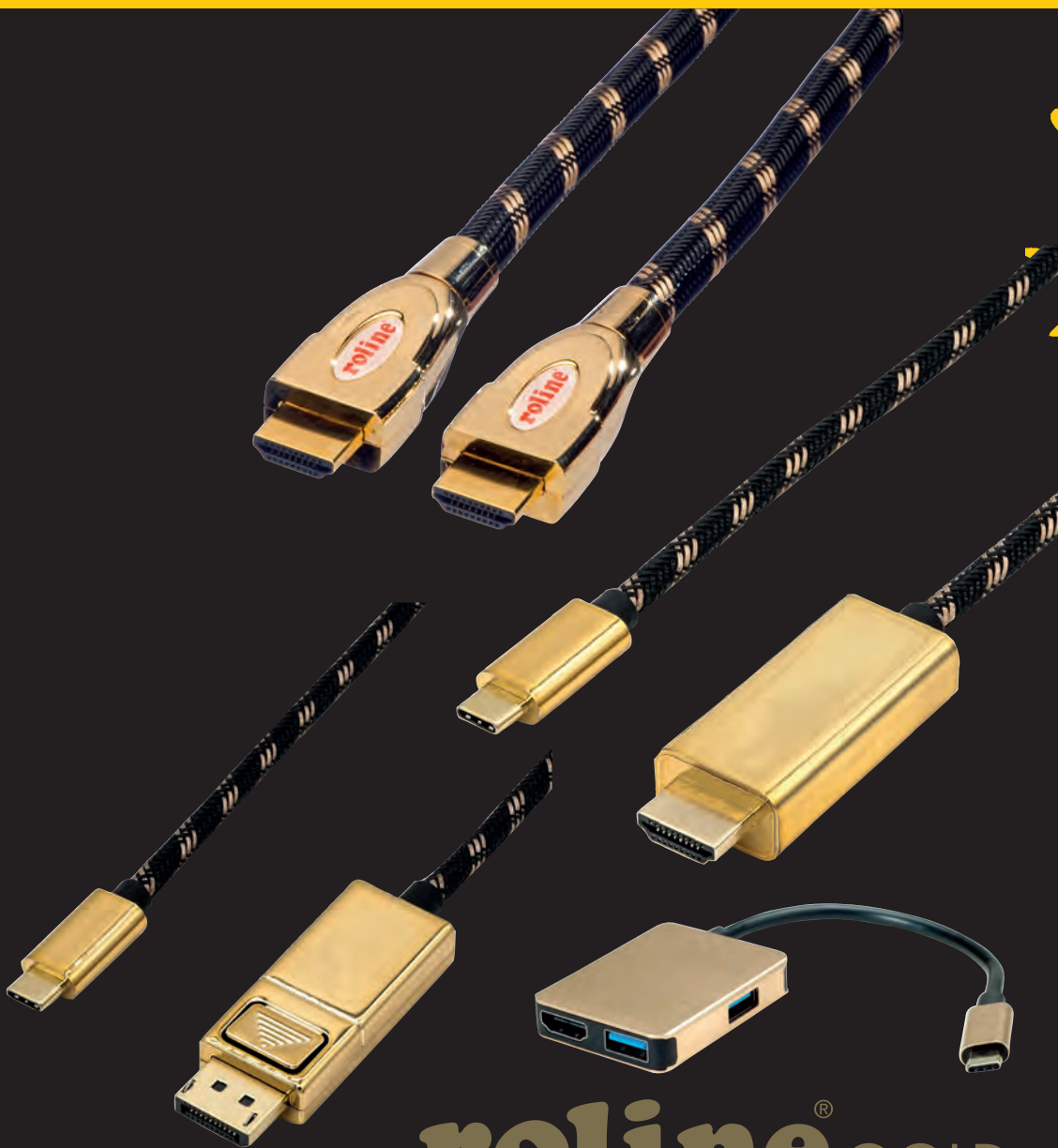
### ROLINE GOLD HDMI High Speed Cables / with Ethernet

1080p  
FULL HD

**ROLINE GOLD - Top quality without any compromises!** Cables in ROLINE GOLD quality come with high quality shielding and gilded contacts for contact safety even at high plug-in cycles. The plugs are gold coated to enhance their contact durability. Nylon-reinforced outer material in golden/black provides a better stability and gives the cable a stunning look.

- Cable with HDMI male connector on both sides
- HDMI Ethernet Channel- Adds high-speed networking to an HDMI link, allowing users to take full advantage of their IP-enabled devices without a separate ethernet cable
- Audio Return Channel- Allows an HDMI-connected TV with a built-in tuner to send audio data „upstream“ to a surround audio system, eliminating the need for a separate audio cable
- 3D- Defines input/output protocols for major 3D video formats

|   | Order-No.  | - P.U. |
|---|------------|--------|
| ROLINE GOLD HDMI High Speed Cable, M/M, 1.0 m             | 11.04.5561 | - 20   |
| ROLINE GOLD HDMI High Speed Cable, M/M, 2.0 m             | 11.04.5562 | - 20   |
| ROLINE GOLD HDMI High Speed Cable, M/M, 3.0 m             | 11.04.5563 | - 20   |
| ROLINE GOLD HDMI High Speed Cable, M/M, 5.0 m             | 11.04.5565 | - 10   |
| ROLINE GOLD HDMI High Speed Cable, M/M, 10.0 m            | 11.04.5566 | - 5    |
| ROLINE GOLD HDMI High Speed Cable, M/M, 15.0 m            | 11.04.5560 | - 5    |
| ROLINE GOLD HDMI High Speed Cable, M/M, 20.0 m            | 11.04.5564 | - 5    |
| ROLINE GOLD HDMI High Speed Cable + Ethernet, M/M, 1.0 m  | 11.04.5501 | - 20   |
| ROLINE GOLD HDMI High Speed Cable + Ethernet, M/M, 1.5 m  | 11.04.5500 | - 20   |
| ROLINE GOLD HDMI High Speed Cable + Ethernet, M/M, 2.0 m  | 11.04.5502 | - 20   |
| ROLINE GOLD HDMI High Speed Cable + Ethernet, M/M, 3.0 m  | 11.04.5503 | - 20   |
| ROLINE GOLD HDMI High Speed Cable + Ethernet, M/M, 5.0 m  | 11.04.5505 | - 10   |
| ROLINE GOLD HDMI High Speed Cable + Ethernet, M/M, 7.5 m  | 11.04.5504 | - 6    |
| ROLINE GOLD HDMI High Speed Cable + Ethernet, M/M, 10.0 m | 11.04.5506 | - 5    |
| ROLINE GOLD HDMI High Speed Cable + Ethernet, M/M, 15.0 m | 11.04.5508 | - 5    |
| ROLINE GOLD HDMI High Speed Cable + Ethernet, M/M, 20.0 m | 11.04.5510 | - 5    |



roline<sup>®</sup> GOLD



light

## ROLINE GOLD HDMI Ultra HD Cables with Ethernet

4K 3D capable 2160p UHD-1

**ROLINE GOLD** - Top quality without any compromises! Cables in ROLINE GOLD quality come with high quality shielding and gilded contacts for contact safety even at high plug-in cycles. The plugs are gold coated to enhance their contact durability.

Nylon-reinforced outer material in golden/black provides a better stability and gives the cable a stunning look.

High-quality HDMI connection cable with HDMI connectors for optimal transmission of digital HDTV signals at data rates up to 18 Gbit/s (600MHz).

For the transmission of films in digital cinema-quality, with a resolution of up to 3840x2160 @60Hz!

- HDMI Ethernet Channel- Adds high-speed networking to an HDMI link, allowing users to take full advantage of their IP-enabled devices without a separate ethernet cable
- Audio Return Channel- Allows an HDMI-connected TV with a built-in tuner to send audio data „upstream“ to a surround audio system, eliminating the need for a separate audio cable
- The rugged nylon braid protects the HDMI cable effectively and makes it look stunning.
- 3D- Defines input/output protocols for major 3D video formats
- Cable with HDMI male connector on both sides
- High quality cable with golden metal connector housing and shell for better shielding
- Gold plated contacts for higher durability

Order-No. – P.U.

|  |            |      |
|--|------------|------|
| ROLINE GOLD HDMI Ultra HD Cable + Ethernet, M/M, 1 m | 11.04.5690 | – 10 |
| ROLINE GOLD HDMI Ultra HD Cable + Ethernet, M/M, 2 m | 11.04.5691 | – 10 |
| ROLINE GOLD HDMI Ultra HD Cable + Ethernet, M/M, 3 m | 11.04.5692 | – 10 |
| ROLINE GOLD HDMI Ultra HD Cable + Ethernet, M/M, 5 m | 11.04.5693 | – 10 |
| ROLINE GOLD Type C - HDMI Cable, M/M, 1 m            | 11.04.5844 | – 10 |
| ROLINE GOLD Type C - HDMI Cable, M/M, 2 m            | 11.04.5847 | – 10 |
| ROLINE GOLD Type C - DisplayPort Cable, M/M, 1 m     | 11.04.5848 | – 10 |
| ROLINE GOLD Type C - DisplayPort Cable, M/M, 2 m     | 11.04.5849 | – 10 |
| ROLINE GOLD USB C Dock, 4K HDMI, 2x USB3 A, 1x PD    | 12.02.1120 | – 10 |

**roline<sup>®</sup>**  
Designed for Professionals

light



## VALUE VGA-DVI-HDMI-DP Adapters

**12.99.3115**

- To connect a DVI cable to an HDMI interface
- Adapter with HDMI plug and 24+1 DVI-D socket

**12.99.3116:**

- To connect an HDMI cable to a DVI interface
- Adapter with HDMI socket and 24+1 DVI-D plug

**12.99.3120/12.99.3152:**

- For combining HDMI cable and components with mini HDMI connector
- Adapter with HDMI socket and HDMI mini plug

**12.99.3123/12.99.3151:**

- For connecting two HDMI cables
- Adapter with HDMI socket and HDMI socket

**12.99.3114/12.99.3113:**

- For connecting a VGA cable to e.g. a notebook with HDMI socket
- Adapter with VGA socket and HDMI plug

**12.99.3135/12.99.3136/12.99.3156:**

- For combining VGA cables and components with display port connection
- Adapter with DisplayPort plug and VGA socket

**12.99.3133/12.99.3137/12.99.3157:**

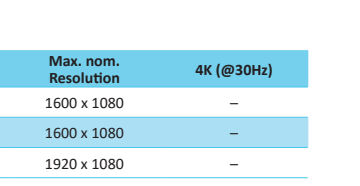
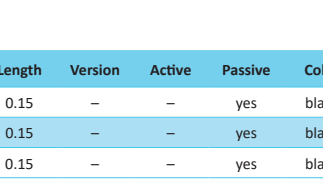
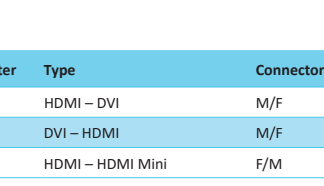
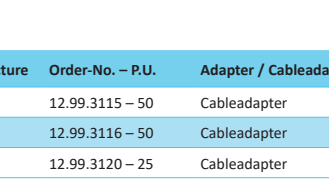
- For combining DVI cable and components with display port connection
- Adapter with DisplayPort connector and 24+1 DVI-D socket

**12.99.3134/12.99.3144/****12.99.3139/12.99.3162/****12.99.3138/12.99.3158:**

- For combining HDMI cable and components with display port connection
- Adapter with DisplayPort plug and HDMI socket
- 12.99.3144: Compliant with DP v1.2

**Notice:**

A DisplayPort to HDMI or DVI connection can only be used in one direction. The DisplayPort connector can only be used on the data source side (e.g. graphics card).



| Picture | Order-No. – P.U. | Adapter / Cableadapter | Type             | Connector | Length | Version | Active | Passive | Color | Max. nom. Resolution | 4K (@30Hz) |
|---------|------------------|------------------------|------------------|-----------|--------|---------|--------|---------|-------|----------------------|------------|
| A       | 12.99.3115 – 50  | Cableadapter           | HDMI – DVI       | M/F       | 0.15   | –       | –      | yes     | black | 1600 x 1080          | –          |
| B       | 12.99.3116 – 50  | Cableadapter           | DVI – HDMI       | M/F       | 0.15   | –       | –      | yes     | black | 1600 x 1080          | –          |
| C       | 12.99.3120 – 25  | Cableadapter           | HDMI – HDMI Mini | F/M       | 0.15   | –       | –      | yes     | black | 1920 x 1080          | –          |
| D       | 12.99.3152 – 20  | Adapter                | HDMI – HDMI Mini | F/M       | –      | –       | –      | yes     | black | 1920 x 1080          | –          |
| E       | 12.99.3123 – 20  | Cableadapter           | HDMI – HDMI      | F/F       | 0.15   | –       | –      | yes     | black | 1920 x 1080          | –          |
| F       | 12.99.3151 – 20  | Adapter                | HDMI – HDMI      | F/F       | –      | –       | –      | yes     | black | 1920 x 1080          | –          |
| G       | 12.99.3114 – 10  | Cableadapter           | HDMI – VGA       | M/F       | 0.15   | –       | yes    | –       | black | 1920 x 1080          | –          |
| H       | 12.99.3113 – 10  | Adapter                | HDMI – VGA       | M/F       | –      | –       | yes    | –       | black | 1920 x 1080          | –          |
| I       | 12.99.3135 – 10  | Cableadapter           | DP – VGA         | M/F       | 0.15   | v 1.1   | yes    | –       | black | 1920 x 1080          | –          |
| I.1     | 12.99.3136 – 10  | Cableadapter           | DP – VGA         | M/F       | –      | –       | –      | yes     | black | 1920 x 1080          | –          |
|         | 12.99.3156 – 10  | Adapter                | DP – VGA         | M/F       | –      | –       | –      | yes     | black | 1920 x 1080          | –          |
|         | 12.99.3137 – 10  | Cableadapter           | DP – DVI         | M/F       | –      | –       | –      | yes     | black | 1920 x 1080          | –          |
| J       | 12.99.3133 – 10  | Cableadapter           | DP – DVI         | M/F       | 0.15   | v 1.1   | –      | yes     | black | 1920 x 1080          | –          |
|         | 12.99.3157 – 10  | Adapter                | DP – DVI         | M/F       | –      | –       | –      | yes     | black | 1920 x 1080          | –          |
| K       | 12.99.3138 – 10  | Cableadapter           | DP – HDMI        | M/F       | –      | –       | –      | yes     | black | 1920 x 1080          | –          |
|         | 12.99.3158 – 10  | Adapter                | DP – HDMI        | M/F       | –      | –       | –      | yes     | black | 1920 x 1080          | –          |
| K.1     | 12.99.3134 – 10  | Cableadapter           | DP – HDMI        | M/F       | 0.15   | v 1.1   | –      | yes     | black | 1920 x 1080          | –          |
|         | 12.99.3139 – 10  | Cableadapter           | DP – HDMI        | M/F       | –      | v 1.2   | –      | yes     | black | 3840 x 2160          | –          |
| L       | 12.99.3144 – 10  | Cableadapter           | DP – HDMI        | M/F       | 0.15   | v 1.2   | –      | yes     | black | 3840 x 2160          | yes        |
| N       | 12.99.3162 – 10  | Cableadapter           | DP – HDMI        | M/F       | –      | v 1.4   | –      | yes     | black | 3840 x 2160          | –          |
|         | 12.99.3160 – 10  | Adapter                | DP – Mini DP     | M/F       | –      | v 1.2   | –      | yes     | black | 3840 x 2160          | –          |
| O       | 12.99.3165 – 10  | Adapter                | DP – DP          | F/F       | –      | v 1.2   | –      | yes     | black | 3840 x 2160          | –          |

VALUE VGA-DVI-HDMI-DP Adapters

12.99.3125/12.99.3126:

- Mini DisplayPort - VGA adapter for connecting a VGA M/M cable to a Mini DisplayPort connector of the graphics card
- Adapter with Mini DisplayPort plug and VGA socket

12.99.3128:

- Mini DisplayPort DVI adapter for connecting a DVI M/M cable to a Mini DisplayPort connector of the graphics card
- Adapter with Mini DisplayPort plug and DVI socket

12.99.3129/12.99.3142/

12.99.3159/12.99.3143:

- Mini DisplayPort HDMI adapter for connecting an HDMI M/M cable to a Mini DisplayPort connector of the graphics card
- Adapter with Mini DisplayPort plug and HDMI socket
- 12.99.3142: Compliant with DP v1.2

12.99.3153:

- The image signal is electronically converted in the adapter.
- Maximum resolution: 3840x2160 @60Hz
- Adapter with DisplayPort connector and VGA, DVI and HDMI jack.

12.99.3154:

- The image signal is electronically converted in the adapter.
- Maximum resolution: 3840x2160 @60Hz
- Adapter with Mini DisplayPort connector and DP, DVI and HDMI jack.

Notice:

A DisplayPort to HDMI or DVI connection can only be used in one direction. The DisplayPort connector can only be used on the data source side (e.g. graphics card).



| Picture | Order-No. – P.U. | Adapter / Cableadapter | Type                     | Connector | Length | Version | Active | Passive | Color | Max. nom. Resolution | 4K (@30Hz) |
|---------|------------------|------------------------|--------------------------|-----------|--------|---------|--------|---------|-------|----------------------|------------|
| A       | 12.99.3125 – 10  | Cableadapter           | Mini DP – VGA            | M/F       | 0.15   | v 1.1   | yes    | –       | black | 1920 x 1080          | –          |
| B       | 12.99.3126 – 10  | Cableadapter           | Mini DP – VGA            | M/F       |        |         |        |         | black | 1920 x 1080          |            |
| C       | 12.99.3128 – 10  | Cableadapter           | Mini DP – DVI            | M/F       | 0.15   | v 1.1   | –      | yes     | black | 1920 x 1080          | –          |
|         | 12.99.3159 – 10  | Adapter                | Mini DP – HDMI           | M/F       |        |         |        |         | black | 1920 x 1080          |            |
| D       | 12.99.3129 – 10  | Cableadapter           | Mini DP – HDMI           | M/F       | 0.15   | v 1.1   | –      | yes     | black | 1920 x 1080          | –          |
| E       | 12.99.3143 – 10  | Cableadapter           | Mini DP – HDMI           | M/F       | 0.15   | v 1.2   |        |         | black | 3840 x 2160          | yes        |
| F       | 12.99.3142 – 10  | Cableadapter           | Mini DP – HDMI           | M/F       | 0.15   | v 1.2   | –      | yes     | black | 3840 x 2160          | yes        |
| H       | 12.99.3153 – 20  | Cableadapter           | DP – VGA/DVI/HDMI**      | M/F       |        | v 1.2   | yes    |         | black | 3840 x 2160          | yes        |
| I       | 12.99.3154 – 20  | Cableadapter           | Mini DP – VGA/DVI/HDMI** | M/F       |        | v 1.2   | yes    |         | black | 3840 x 2160          | yes        |
| J       | 12.99.3160 – 10  | Adapter                | DP – Mini DP             | M/F       |        |         |        |         | black | 3840 x 2160          |            |
| K       | 12.99.3161 – 10  | Adapter                | DP – Mini DP             | F/M       |        |         |        |         | black | 3840 x 2160          |            |

\* HDR10 Functionality

\*\* only ONE single output available (VGA/DVI/HDMI - 12.99.3153/12.99.3154)

## ROLINE VGA-DVI-HDMI-DP Adapters

**12.03.3105:**

- To connect a VGA monitor to a DVI graphics card
- Adapter with HD15-pin socket and DVI-A plug

**12.03.3110:**

- To connect a DVI monitor to a VGA graphics card
- Adapter with HD15-pin plug and DVI-I socket

**12.03.3114:**

- To connect a VGA cable to an HDMI interface
- Adapter with HDMI plug and VGA socket

**12.03.3115:**

- To connect a DVI cable to an HDMI interface
- Adapter with HDMI plug and 24+1 DVI-D socket

**12.03.3116:**

- To connect an HDMI cable to a DVI interface
- Adapter with HDMI socket and 24+1 DVI-D plug

**12.03.3151:**

- For connecting two HDMI cables
- Adapter with HDMI socket and HDMI socket

**12.03.3135/12.03.3146:**

- For combining VGA cables and components with display port connection
- Adapter with DisplayPort plug and VGA socket, cable length approx. 10cm

**12.03.3133/12.03.3136:**

- For combining DVI cable and components with display port connection
- Adapter with DisplayPort connector and 24+1 DVI-D socket

**12.03.3134/3160:**

- For combining HDMI cable and components with display port connection
- Adapter with DisplayPort plug and HDMI socket

**12.03.3125/12.03.3140:**

- Mini DisplayPort VGA adapter for connecting a VGA M/M cable to a Mini DisplayPort connector of the graphics card
- Adapter with Mini DisplayPort plug and VGA socket, cable length approx. 10cm

**12.03.3128/12.03.3137:**

- Mini DisplayPort DVI adapter for connecting a DVI M/M cable to a Mini DisplayPort connector of the graphics card
- Adapter with Mini DisplayPort plug and DVI socket, cable length approx. 10cm

**12.03.3129/12.03.3161:**

- Mini DisplayPort HDMI adapter for connecting an HDMI M/M cable to a Mini DisplayPort connector of the graphics card
- Adapter with Mini DisplayPort plug and HDMI socket, cable length approx. 10cm
- 12.03.3161: additional VGA socket

**12.03.3130/12.03.3163:**

- For connecting a normal DP cable to e.g. a notebook with Mini DP socket
- Adapter with DisplayPort socket and Mini DisplayPort plug

**12.03.3132:**

- For combining a Mini DP cable to a device with DP socket
- Adapter with DisplayPort connector and Mini DisplayPort socket

**Note: A DisplayPort to HDMI or DVI connection can only be used in one direction. The DisplayPort connector can only be used on the data source side (e.g. graphics card).**



A



B



D



E



F



H



J



K



L



M



N



O



P



Q



R



S



T



U



V

**roline**<sup>®</sup>  
Designed for Professionals

| Picture | Order-No. – P.U. | Adapter / Cableadapter | Type                 | Connector | Length | Version | Active | Passive | Color  | Max. nom. Resolution | 4K (@30Hz) |
|---------|------------------|------------------------|----------------------|-----------|--------|---------|--------|---------|--------|----------------------|------------|
| A       | 12.03.3105 – 50  | Adapter                | DVI – VGA            | M/F       | –      | –       | –      | yes     | black  | 1920 x 1080 (*)      | –          |
| B       | 12.03.3110 – 50  | Adapter                | DVI – VGA            | F/M       | –      | –       | –      | yes     | black  | 1920 x 1080 (*)      | –          |
| D       | 12.03.3114 – 10  | Cableadapter           | HDMI – VGA           | M/F       | 0.15   | –       | yes    | –       | white  | 1920 x 1080          | –          |
| E       | 12.03.3115 – 50  | Adapter                | HDMI – DVI           | M/F       | –      | –       | –      | yes     | black  | 1920 x 1080          | –          |
| F       | 12.03.3116 – 50  | Adapter                | DVI – HDMI           | M/F       | –      | –       | –      | yes     | black  | 1920 x 1080          | –          |
| H       | 12.03.3151 – 20  | Adapter                | HDMI – HDMI          | F/F       | –      | –       | –      | yes     | black  | 1920 x 1080          | –          |
| J       | 12.03.3135 – 10  | Cableadapter           | DP – VGA             | M/F       | 0.15   | v 1.1a  | yes    | –       | white  | 1920 x 1080          | –          |
| J       | 12.03.3146 – 10  | Cableadapter           | DP – VGA             | M/F       | 0.15   | v 1.2   | yes    | –       | white  | 1920 x 1080          | –          |
| K       | 12.03.3133 – 10  | Cableadapter           | DP – DVI             | M/F       | 0.1    | v 1.1a  | –      | yes     | white  | 1920 x 1080          | –          |
| L       | 12.03.3136 – 10  | Cableadapter           | DP – DVI             | M/F       | 0.1    | v 1.2   | –      | yes     | white  | 3840 x 2160 (*)      | yes        |
| M       | 12.03.3134 – 10  | Cableadapter           | DP – HDMI            | M/F       | 0.1    | v 1.1a  | –      | yes     | white  | 1920 x 1080          | yes        |
| N       | 12.03.3160 – 10  | Cableadapter           | DP – HDMI            | M/F       | 0.1    | v 1.2   | yes    | –       | white  | 3840 x 2160          | yes        |
| O       | 12.03.3125 – 10  | Cableadapter           | Mini DP – VGA        | M/F       | 0.15   | v 1.1a  | yes    | –       | white  | 1920 x 1080          | –          |
| O       | 12.03.3140 – 10  | Cableadapter           | Mini DP – VGA        | M/F       | 0.15   | v 1.2   | yes    | –       | white  | 1920 x 1080          | –          |
| P       | 12.03.3128 – 10  | Cableadapter           | Mini DP – DVI        | M/F       | 0.1    | v 1.1a  | –      | yes     | white  | 1920 x 1080          | –          |
| Q       | 12.03.3137 – 10  | Cableadapter           | Mini DP – DVI        | M/F       | 0.1    | v 1.2   | –      | yes     | white  | 3840 x 2160          | yes        |
| R       | 12.03.3129 – 10  | Cableadapter           | Mini DP – HDMI       | M/F       | 0.1    | v 1.1a  | –      | yes     | white  | 1920 x 1080          | –          |
| S       | 12.03.3161 – 5   | Cableadapter           | Mini DP – HDMI/VGA** | M/F       | 0.1    | v 1.2   | yes    | –       | silver | 3840 x 2160          | yes        |
| T       | 12.03.3130 – 20  | Adapter                | Mini DP – DP         | M/F       | –      | v 1.2   | –      | yes     | black  | 3840 x 2160          | yes        |
| U       | 12.03.3163 – 10  | Cableadapter           | DP – Mini DP         | F/M       | 0.1    | v 1.2   | –      | –       | white  | 3840 x 2160          | yes        |
| V       | 12.03.3132 – 20  | Cableadapter           | DP – Mini DP         | M/F       | 0.1    | v 1.2   | –      | yes     | white  | 3840 x 2160          | yes        |

\* depends on graphic card / \*\* only ONE single output available (HDMI or VGA - 12.03.3161)



VALUE Display Adapter, USB 3.1 Type C to VGA / DVI / HDMI / DisplayPort

Connect one or more monitors to your tablet - such as a MacBook - with a USB type C port, or Projectors on.

- These display adapters are available for VGA, DVI, HDMI and (Mini-)DisplayPort.
- No software is required; simply connect - ready!
- Portable, compact design
- No power supply required
- Cable length: approx. 10 cm



| Brand | Description / Connection Type       | Video-Connection   | USB3.1 PD Connection | Other Connections          | Max. Resolution   | Picture | Order-No. – P.U. |
|-------|-------------------------------------|--------------------|----------------------|----------------------------|---|---------|------------------|
|       | <b>USB 3.1 Display Adapter Type</b> |                    |                      |                            |   |         |                  |
| VALUE | C - VGA                             | 1x HD15 F          | -                    |                            | 2048 x 1536@50Hz  | A       | 12.99.3200 – 10  |
| VALUE | C - VGA + Audio                     | 1x HD15 F          | -                    | 1x 3.5mm F                 | 1920 x 1080@60Hz  | B       | 12.99.3203 – 10  |
| VALUE | C - HDMI                            | 1x HDMI F          | -                    |                            | 3840 x 2160@30Hz  | C       | 12.99.3210 – 10  |
| VALUE | C - HDMI 4K                         | 1x HDMI F          | -                    |                            | 3840 x 2160@60Hz  | D       | 12.99.3211 – 10  |
| VALUE | C - VGA + HDMI                      | 1x HDMI F          | -                    | 1x HD15 F                  | HDMI:<br>3840 x 2160@30Hz<br>VGA:<br>1920 x 1080@60Hz<br>(2 output using at the same time:<br>1920 x 1080@60Hz) | E       | 12.99.3215 – 10  |
| VALUE | C - HDMI + 2x USB 3.0 A + PD        | 1x HDMI F          | yes                  | 2x USB3.0 A F              | 3840 x 2160@30Hz  | F       | 12.99.1133 – 10  |
| VALUE | C - HDMI + USB 3.0 A + PD           | 1x HDMI F          | yes                  | 1x USB3.0 A F              | 3840 x 2160@30Hz  | G       | 12.99.1141 – 10  |
| VALUE | C - DisplayPort v1.2                | 1x DP F, v1.2      | -                    |                            | 3840 x 2160@60Hz  | H       | 12.99.3220 – 10  |
| VALUE | C - Mini DisplayPort v1.2, white    | 1x Mini DP F, v1.2 | -                    |                            | 3840 x 2160@60Hz  | I       | 12.99.3225 – 10  |
| VALUE | C - VGA + HDMI + DVI                | 1x HDMI F          | -                    | 1x HD15 F + DVI-D F        | 3840 x 2160@60Hz  | J       | 12.99.3229 – 10  |
| VALUE | C - VGA + HDMI + DVI + DP           | 1x HDMI F          | -                    | 1x HD15 F + DVI-D F + DP F | 3840 x 2160@60Hz  | K       | 12.99.3230 – 5   |
| VALUE | C - HDMI + USB A + PD               | 1x HDMI F          | -                    | 1x USB A + 1x PD Type C F  | 3840 x 2160@30Hz  | L       | 12.99.3199 – 10  |



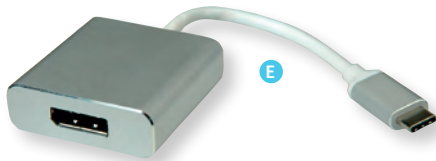
## ROLINE Display Adapter, USB 3.1 Type C to VGA / DVI / HDMI / DisplayPort

Connect one or more monitors or projectors to your tablet - such as a MacBook - with a USB Type C port. These display adapters are available for VGA, DVI, HDMI and (Mini-)DisplayPort.

- No software is required; simply connect ready!
- Portable, compact design
- No power supply required
- Cable length: approx. 10 cm

• Only for 12.03.3201, 12.02.1130:  
The tablet can be charged via USB 3.1 Power Delivery (PD) in parallel to video operation

**roline**<sup>®</sup>  
Designed for Professionals



**NEW**



| Brand  | Description / Connection Type       | Video-Connection   | USB3.1 PD Connection | Other Connections | Max. Resolution                                       | Picture | Order-No. – P.U. |
|--------|-------------------------------------|--------------------|----------------------|-------------------|---|---------|------------------|
|        | <b>USB 3.1 Display Adapter Type</b> |                    |                      |                   |   |         |                  |
| ROLINE | C - VGA                             | 1x HD15 F          | -                    | -                 | 1920 x 1080@60Hz                                      | A       | 12.03.3203 – 10  |
| ROLINE | C - DVI                             | 1x DVI-I F         | -                    | -                 | 3840 x 2160@30Hz                                      | B       | 12.03.3205 – 10  |
| ROLINE | C - HDMI                            | 1x HDMI F          | -                    | -                 | 3840 x 2160@60Hz                                      | C       | 12.03.3210 – 10  |
| ROLINE | C - HDMI + PD                       | 1x HDMI F          | yes                  | -                 | 3840 x 2160@60Hz                                      | D       | 12.03.3211 – 10  |
| ROLINE | C - DisplayPort v1.2                | 1x DP F, v1.2      | -                    | -                 | 3840 x 2160@60Hz                                      | E       | 12.03.3220 – 10  |
| ROLINE | C - Mini-DisplayPort v1.2           | 1x Mini DP F, v1.2 | -                    | -                 | 3840 x 2160@60Hz                                      | F       | 12.03.3225 – 10  |
| ROLINE | C - DisplayPort v1.2 + PD           | 1x DP F, v1.2      | yes                  | -                 | 3840 x 2160@60Hz                                      | G       | 12.03.3221 – 10  |
| ROLINE | C - VGA + HDMI                      | 1x HD15 + HDMI F   | -                    | -                 | HDMI:<br>3480 x 2160@30Hz<br>VGA:<br>1920 x 1080@60Hz | H       | 12.03.3215 – 5   |
| ROLINE | C - HDMI + USB A + PD               | 1x HDMI F          | yes                  | 1x USB A          | 3840 x 2160@60Hz                                      | J       | 12.03.3199 – 10  |

### VALUE Cableadapter, VGA+Audio - HDMI, M/F

- Easy and simple solution to connect media and display devices
- Ideal for projectors, presentations or any other audio/visual project (e.g. multimedia presentation) you may have
- Allows the upscaling of analog VGA signals to digital HDMI signals, ideal for connecting PCs and laptops to HDMI displays such as HDTVs
- Supports both video and audio, 1080p resolution
- The converter takes audio from the computer via 3.5mm connector and embeds it to the HDMI output along with the video
- The cableadapter features a MicroB USB port for an connection to a USB power source (connection is required)

- VGA cable adapter: 0.15m Audio cable length: 0.5m USB cable length: 1m
- Maximum resolution: 1920 x 1080
- Color: black



Order-No. – P.U.

VALUE Cableadapter, VGA+Audio - HDMI, M/F, 0.15 m

12.99.3117 – 10

### VALUE Cableadapter, HDMI - VGA+Audio, M/F, (Stereo)

#### Use modern notebooks with HDMI output on display units which have a VGA input!

- Easy and simple solution to connect media and display devices
- Ideal for projectors, presentations or any other audio/visual project (e.g. multimedia presentation) you may have
- Supports both video and audio, 1080p resolution
- The audio signal from the HDMI source is transmitted to the audio input using a 3.5mm plug
- The cableadapter features a MicroB USB port for an connection to a USB power source (connection is required)
- Maximum resolution: 1920 x 1080 (1080p)
- Color: silver/black

- Length: 0.15m (HDMI)

Note: this adapter works only in one direction from HDMI to VGA



Order-No. – P.U.

VALUE Cableadapter, HDMI - VGA+Audio, M/F, (Stereo)

12.99.3119 – 10

### ROLINE DisplayPort-HDMI Adapter, 4K@60Hz, DP v1.4, DP M - HDMI F

4K

For connecting an HDMI cable to a DisplayPort socket with a resolution of up to 3840x2160 @60Hz and HDR 10 support!

- If you want to connect a graphic card with DisplayPort Female to a monitor by using a HDMI cable, you need this DisplayPort to HDMI adapter
- Connectors: DisplayPort Male, HDMI Female
- DisplayPort Version 1.4 allows increased resolutions, higher refresh rates, and greater color depth
- Support HRD10 (High Dynamic Range 10 static)
- Remark: The DisplayPort-HDMI adapter is only working in one direction: the DisplayPort plug has to be connected to the source device (e.g. graphic card)



**roline**  
Designed for Professionals

Order-No. – P.U.

ROLINE DisplayPort-HDMI Adapter, 4K@60Hz, DP v1.4, DP M - HDMI F

12.03.3164 – 10

### ROLINE GOLD DisplayPort Adapter, 4K, Active, v1.2, DP-HDMI

4K

DisplayPort to HDMI adapter for connecting a graphics card with DP to a monitor with HDMI connection - with a resolution of up to 3840x2160 @60Hz!

- DisplayPort to HDMI Plug Adapter to connect an HDMI cable to a DisplayPort socket of the graphics card
- Active adapter with DisplayPort connector and HDMI socket
- DisplayPort v1.2 with resolutions up to 3840x2160 @60Hz
- Golden aluminium housing, golden plug and socket
- Note: The DisplayPort HDMI adapter only works in one direction: the DisplayPort connector can only be used on the data source side (e.g. graphics card)

What are the benefits of using Active adapters and converters? Active products can have a huge advantage when working with long cable runs and video conversion applications. In terms of video converters, active units generally have hardware inside to improve your image.

**roline**  
Designed for Professionals

Order-No. – P.U.

ROLINE GOLD DisplayPort Adapter, 4K, Active, v1.2, DP-HDMI, M/F

12.03.3158 – 20





### ROLINE Type C - HDMI Adapter, M/F

Connect a TV, monitor or projector via HDMI to your MacBook, Ultrabook, notebook/laptop, PC or mobile device with USB Type C connection - at resolutions up to 3840x2160 @30Hz!

- USB 3.1 / USB 3.2 Gen 2 Type C to HDMI adapter
- To mirror or expand your screen to a TV, monitor or beamer/projector
- Maximum resolution: 3840x2160 @30Hz
- Plug-in adapter with minimal form factor and solid aluminium housing in grey
- No additional power supply required
- Connections: HDMI socket and USB type C connector
- Contents: adapter



Order-No. – P.U.

ROLINE Type C - HDMI Adapter, M/F, grey

12.03.3224 – 20

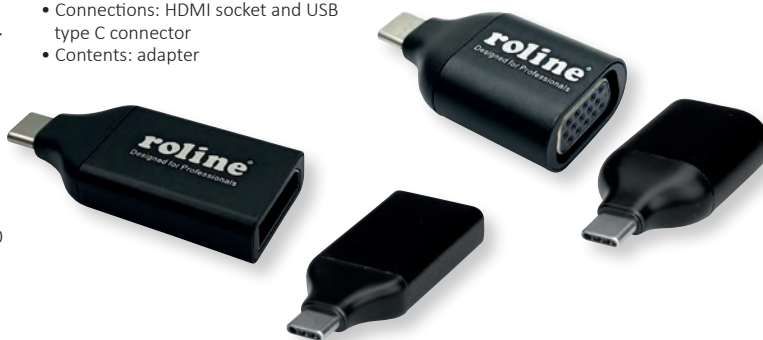
**roline**<sup>®</sup>  
Designed for Professionals

### ROLINE Type C - HDMI / DisplayPort / VGA Adapter, M/F

Connect a TV, monitor or projector via HDMI / DP / VGA to your MacBook, Ultrabook, notebook/laptop, PC or mobile device with USB Type C connection (such as an Android phone or Apple iPad Pro) - with resolutions of up to 3840x2160 @60Hz!

- USB 3.1 / USB 3.2 Gen 2 Type C to HDMI adapter
- To mirror or expand your screen to a TV, monitor or beamer/projector
- Maximum resolution: up to 3840x2160 @60Hz (HDMI/ DP) 1920x1080 (VGA)
- Plug-in adapter with minimal form factor and solid aluminium housing

- No additional power supply required
- Connections: HDMI socket and USB type C connector
- Contents: adapter



Order-No. – P.U.

ROLINE Type C - HDMI Adapter, M/F

12.03.3226 – 10

ROLINE Type C - DisplayPort Adapter, v1.2, M/F

12.03.3227 – 10

ROLINE Type C - VGA Adapter, M/F

12.03.3228 – 10

**roline**<sup>®</sup>  
Designed for Professionals

### ROLINE GOLD Type C - HDMI / DisplayPort / VGA Adapter, M/F

Connect a TV, monitor or projector via HDMI / DisplayPort or VGA to your MacBook, Ultrabook, notebook/laptop, PC or mobile device with USB Type C connection (such as an Android phone or Apple iPad Pro) - with resolutions of up to 3840x2160 @60Hz!

- USB 3.1 / USB 3.2 Gen 2 Type C to HDMI /DisplayPort /VGA adapter
- To mirror or expand your screen to a TV, monitor or beamer/projector
- Maximum resolution: up to 3840x2160 @60Hz (HDMI/ DP) 1920x1080 (VGA)
- Plug-in adapter with minimal form factor and solid aluminium housing
- No additional power supply required
- Connections: HDMI / DisplayPort / VGA socket and USB type C connector
- Contents: adapter



Order-No. – P.U.

ROLINE GOLD Type C - HDMI Adapter, M/F

12.03.3231 – 10

ROLINE GOLD Type C - DisplayPort Adapter, v1.2, M/F

12.03.3232 – 10

ROLINE GOLD Type C - VGA Adapter, M/F

12.03.3233 – 10

**roline**<sup>®</sup>  
Designed for Professionals

VALUE Cables Type C - DVI, HDMI, DisplayPort

- **USB 3.1 Cable Type C to DVI/HDMI/DisplayPort for Macbook**
- Connect your MacBook with USB-C port to any correspondent display or projector
- This adapter allows you to mirror your MacBook display to your TV or display
- No power adapter required
- Supports maximum resolutions up to 3840x2160 @ 30Hz- Type C- DVI
- Supports maximum resolutions up to 3840x2160 @ 60Hz- Type C- HDMI/DP

- Connectors: DVI Male and Type C Male (11.99.5830/11.99.5831)
- Connectors: HDMI Male and Type C Male (11.99.5840/11.99.5841)
- Connectors: DisplayPort Male and Type C Male (11.99.5845/11.99.5846)
- DisplayPort Version 1.2 allows increased resolutions, higher refresh rates, and greater color depth



|  | Order-No. – P.U. |
|--|------------------|
| VALUE USB Type C - DVI Cable, M/M, 1 m | 11.99.5831 – 10  |
| VALUE USB Type C - DVI Cable, M/M, 2 m | 11.99.5832 – 10  |

|  | Order-No. – P.U. |
|--|------------------|
| VALUE Type C - HDMI Cable, M/M, 1 m        | 11.99.5840 – 10  |
| VALUE Type C - HDMI Cable, M/M, 2 m        | 11.99.5841 – 10  |
| VALUE Type C - DisplayPort Cable, M/M, 1 m | 11.99.5845 – 10  |
| VALUE Type C - DisplayPort Cable, M/M, 2 m | 11.99.5846 – 10  |

ROLINE Cables Type C - VGA, DVI, HDMI, DisplayPort

- **USB 3.1 Cable Type C to VGA/DVI/HDMI/DisplayPort for Macbook**
- Connect your MacBook with USB-C port to any correspondent display or projector
- This adapter allows you to mirror your MacBook display to your TV or display
- No power adapter required
- Supports maximum resolutions up to 1920 x 1080 @60Hz (Full HD 1080p) – Type C- VGA
- Supports maximum resolutions up to 3840x2160 @ 30Hz- Type C- DVI
- Supports maximum resolutions up to 3840x2160 @ 60Hz- Type C- HDMI/DP

- Connectors: DVI Male and Type C Male (11.04.5830/11.04.5831)
- Connectors: HDMI Male and Type C Male (11.04.5840/11.04.5841)
- Connectors: DisplayPort Male and Type C Male (11.04.5845/11.04.5846)
- DisplayPort Version 1.2 allows increased resolutions, higher refresh rates, and greater color depth



|   | Order-No. – P.U. |
|---|------------------|
| ROLINE USB Type C - DVI Cable, M/M, 1 m | 11.04.5830 – 10  |
| ROLINE USB Type C - DVI Cable, M/M, 2 m | 11.04.5831 – 10  |

|   | Order-No. – P.U. |
|---|------------------|
| ROLINE Type C - HDMI Cable, M/M, 1 m        | 11.04.5840 – 10  |
| ROLINE Type C - HDMI Cable, M/M, 2 m        | 11.04.5841 – 10  |
| ROLINE Type C - HDMI Cable, M/M, 3 m        | 11.04.5842 – 10  |
| ROLINE Type C - HDMI Cable, M/M, 5 m        | 11.04.5843 – 10  |
| ROLINE Type C - DisplayPort Cable, M/M, 1 m | 11.04.5845 – 10  |
| ROLINE Type C - DisplayPort Cable, M/M, 2 m | 11.04.5846 – 10  |

ROLINE Cable Type C - DisplayPort, v1.4, 8K

8K

**Connect your Macbook, Ultrabook, Notebook/Laptop or PC with USB Type C connector to a DisplayPort monitor or projector with DP - with a maximum resolution of 7680 x 4320 @ 60Hz!**

- USB 3.1 Type C to DisplayPort cable for Macbook, Ultrabook, Notebook/Laptop or PC
- This adapter allows you to mirror or extend the display of your device to any DisplayPort enabled monitor or projector
- Portable design
- No power adapter required
- Connectors: DisplayPort Female and Type C Male
- Cable length: 1 m

- Max. resolution: 7680 x 4320 @ 60Hz
- DisplayPort Version 1.4 allows increased resolutions, higher refresh rates, and greater color depth
- Compliant DP v1.4 (max. 7680 x 4320 @60Hz)



|   | Order-No. – P.U. |
|---|------------------|
| ROLINE Type C - DisplayPort Cable, v1.4, M/M, 1 m | 11.04.5835 – 10  |
| ROLINE Type C - DisplayPort Cable, v1.4, M/M, 2 m | 11.04.5836 – 10  |
| ROLINE Type C - DisplayPort Cable, v1.4, M/M, 3 m | 11.04.5837 – 10  |



### ROLINE GOLD Type C - HDMI Adapter, F/F

Connect a TV, monitor or projector via HDMI to your MacBook, Ultrabook, notebook/laptop, PC or mobile device with USB Type C connection (such as an Android phone or Apple iPad Pro) - with resolutions of up to 7680x4320 @60Hz!

- USB 3.1 / USB 3.2 Gen 2 Type C to HDMI adapter
- To mirror or expand your screen to a TV, monitor or beamer/projector
- Maximum resolution: 7680x4320 @60Hz
- Plug-in adapter with minimal form factor and solid aluminium housing
- No additional power supply required
- Connections: HDMI and USB type C socket

Remark: Support of „Alternate Mode (DP Alt Mode)“ required

- Contents: adapter



Order-No. – P.U.

ROLINE GOLD Type C - HDMI Adapter, F/F 14.01.3477 – 10

ROLINE GOLD Type C - HDMI Adapter, F/F, with Power Supply 14.01.3478 – 10

**roline**<sup>®</sup>  
Designed for Professionals

### ROLINE Type C - HDMI Adapter, M/F

4K 2160p  
ULTRA HD

Connect a monitor or projector with HDMI interface to your MacBook, Ultrabook, notebook/laptop or PC with USB Type C port - with a maximum resolution of up to 3840x2160 @60Hz; The flat silicone cable provides maximum flexibility!

- USB 3.1 Type C to HDMI Cableadapter
- Connect your device with USB-C port to any HDMI display or projector
- This adapter allows you to mirror or extend your display to any HDMI-enabled TV or display
- Portable design
- No power adapter required
- Connectors: HDMI Female and Type C Male
- Cable length: ca. 13 cm



**roline**<sup>®</sup>  
Designed for Professionals

Order-No. – P.U.

ROLINE Type C - HDMI Adapter, M/F, 0.13 m 12.03.3212 – 10

### ROLINE Type C - DP Adapter, M/F

4K 2160p  
ULTRA HD

Connect a monitor or projector with DP interface to your MacBook, Ultrabook, notebook/laptop or PC with USB Type C port - with a maximum resolution of up to 3840x2160 @60Hz; The flat silicone cable provides maximum flexibility!

- USB 3.1 Type C to DP Cableadapter
- Connect your device with USB-C port to any DP display or projector
- This adapter allows you to mirror or extend your display to any DP-enabled TV or display
- Portable design
- No power adapter required
- Connectors: DP Female and Type C Male
- Cable length: ca. 13 cm

Remark: Support of „Alternate Mode“ required

Order-No. – P.U.

ROLINE Type C - DP Adapter, M/F, 0.13 m 12.03.3240 – 10

**roline**<sup>®</sup>  
Designed for Professionals





**ROLINE Type C - DisplayPort Cable / AdapterCable, Bi-Directional, 4K**

- Reversible cable which enables the connection between devices with USB Type-C and DisplayPort connectors
- Bidirectional cable - works in BOTH signal directions with USB Type-C and DisplayPort connectors
- Requires the support of DisplayPort Alternate Mode on the USB Type C connection (laptop / PC / monitor)
- Offers a variety of possible applications
  - monitor or TV connection with DisplayPort socket to a laptop/smartphone with USB Type-C port.
  - connection of an USB Type-C monitor to a device with DisplayPort output (notebook/PC...)
- Plug & Play

- Cable / converter is bus powered, this makes the integration within installations easy, with no additional need for external power supplies or outlets
- Max. resolution: 3840 x2160 @60Hz

**roline**<sup>®</sup>  
Designed for Professionals



Order-No. – P.U.

|  |                 |
|--|-----------------|
| ROLINE Type C - DisplayPort Adaptercable, Bi-Directional, 4K, M/F, 0.2 m | 11.04.5957 – 10 |
| ROLINE Type C - DisplayPort Cable, Bi-Directional, 4K, M/M, 2 m          | 11.04.5958 – 10 |

**ROLINE Type C - 3.5mm Audio Adapter, M/M**

First choice for your Type C USB devices that don't have a 3.5mm jack, such as MacBooks, Ultrabooks, smartphones, and tablets - this cable helps you to connect these devices to headphones, headsets, and Hi-Fi systems!

- The adapter cable converts the USB Type C into a 3.5mm stereo plug.
- Reversible design for the USB Type C connector
- Stable signal transmission for clear sound and voice quality
- Portable for mobile use
- Dark grey aluminium connector housing combined with a black cotton braid around the cable
- Connector: 3.5mm plug and Type C plug

**roline**<sup>®</sup>  
Designed for Professionals



Order-No. – P.U.

|   |                 |
|---|-----------------|
| ROLINE Type C - 3.5mm Audio Adapter, M/M, 1.8 m | 12.03.3217 – 20 |
| ROLINE Type C - 3.5mm Audio Adapter, M/M, 3 m   | 12.03.3218 – 10 |

**VALUE Type C - 2x 3.5mm Audio Adapter, M/F**

First choice for your Type C USB devices that don't have a 3.5mm jack, such as MacBooks or Ultrabooks, as well as smartphones and tablets.

- The adapter cable converts the USB Type C into two 3.5mm audio jacks, one each for microphone and headphones.
- Reversible design for the USB Type C connector
- Stable signal transmission
- Portable for mobile use
- Color-coded jacks with headphone/microphone icons
- Connectors: 2x 3.5mm sockets and 1x type C connector
- Cable length: approx. 13 cm



**Value**<sup>®</sup>

Order-No. – P.U.

|  |                 |
|--|-----------------|
| VALUE Type C - 2x 3.5mm Audio Adapter, M/F, 0.15 m | 12.99.3213 – 10 |
|--|-----------------|

**ROLINE Type C - 2x 3.5mm Audio Adapter, M/F**

First choice for your Type C USB devices that don't have a 3.5mm jack, such as MacBooks or Ultrabooks, as well as smartphones and tablets.

- The adapter cable converts the USB Type C into two 3.5mm audio jacks, one each for microphone and headphones.
- Reversible design for the USB Type C connector
- Stable signal transmission
- Narrow plastic housing for mobile applications
- Color-coded jacks with headphone/microphone icons
- Connectors: 2x 3.5mm sockets and 1x type C connector
- Cable length: approx. 13 cm



**roline**<sup>®</sup>  
Designed for Professionals

Order-No. – P.U.

|   |                 |
|---|-----------------|
| ROLINE Type C - 2x 3.5mm Audio Adapter, M/F, 0.15 m | 12.03.3209 – 20 |
|---|-----------------|

## VALUE / ROLINE / ROLINE GOLD USB Type C - 3.5mm Audio Adapter, M/F

First choice for your USB Type C devices that aren't equipped with a 3.5mm jack, like MacBooks or other Ultrabooks, as well as Smartphones and Tablets.

- The adapter cable converts USB Type C to 3.5mm Audio jack
- Reversible design for the USB Type C connector
- Stable signal transmission
- Portable design
- Connectors: 3.5mm Female and Type C Male
- Cable length: ca. 13 cm

**Value**<sup>®</sup>  
**roline**<sup>®</sup>  
Designed for Professionals

Order-No. – P.U.

|  |   |            |      |
|--|---|------------|------|
| VALUE Adapter USB Typ C - 3,5mm Audio, M/F, 0,13 m       | A | 12.99.3214 | – 10 |
| ROLINE Type C - 3.5mm Audio Adapter, M/F, 0.1 m          | B | 12.03.3241 | – 10 |
| ROLINE GOLD Adapter USB Typ C - 3,5mm Audio, M/F, 0,13 m | C | 12.03.3223 | – 10 |



## ROLINE GOLD Audio / Video Cables

- The plugs are gold coated to enhance their contact durability
- Nylon-reinforced outer material for a better stability
- Color: Black / Gold

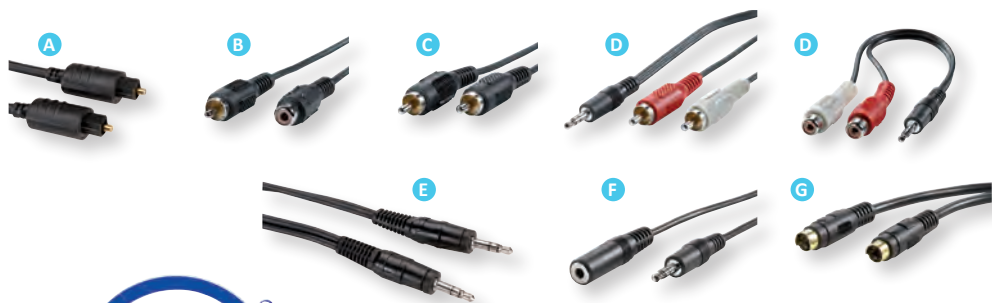
**roline**<sup>®</sup> GOLD

| Audio- / Video Cables  | Length | Order-No. – P.U. |
|--|--------|------------------|
| <b>Cinch Cable (Picture A)</b>                               |        |                  |
| ROLINE GOLD Cinch Cable simplex M / M, red                   | 2.5m   | 11.09.4231 – 10  |
| ROLINE GOLD Cinch Cable simplex M / M, red                   | 5.0m   | 11.09.4251 – 5   |
| ROLINE GOLD Cinch Cable simplex M / M, white                 | 5.0m   | 11.09.4252 – 5   |
| <b>3.5mm-to-Cinch Cable (Picture B)</b>                      |        |                  |
| ROLINE GOLD Audio Cable 3.5mm Stereo – 2x Cinch (RCA), M / M | 2.5m   | 11.09.4273 – 10  |
| ROLINE GOLD Audio Cable 3.5mm Stereo – 2x Cinch (RCA), M / M | 5.0m   | 11.09.4276 – 5   |
| ROLINE GOLD Audio Cable 3.5mm Stereo – 2x Cinch (RCA), M / M | 10m    | 11.09.4279 – 5   |
| <b>3.5mm Cable (Picture C)</b>                               |        |                  |
| ROLINE GOLD 3.5mm Audio Cable M / M                          | 2.5m   | 11.09.4283 – 10  |
| ROLINE GOLD 3.5mm Audio Cable M / M                          | 5.0m   | 11.09.4285 – 5   |
| ROLINE GOLD 3.5mm Audio Cable M / M                          | 10m    | 11.09.4289 – 5   |
| <b>3.5mm Extension Cable (Picture D)</b>                     |        |                  |
| ROLINE GOLD 3.5mm Audio-Extension Cable M / F                | 2.5m   | 11.09.4753 – 10  |
| ROLINE GOLD 3.5mm Audio-Extension Cable M / F                | 5.0m   | 11.09.4755 – 5   |
| ROLINE GOLD 3.5mm Audio-Extension Cable M / F                | 10m    | 11.09.4759 – 5   |
| <b>3.5mm Adapter</b>   |        |                  |
| ROLINE GOLD Stereo Adapter 6.35 mm M – 3.5 mm F (Picture E)  |        | 11.09.4211 – 10  |
| ROLINE GOLD Stereo Adapter 3.5 mm M – 6.35 mm F (Picture F)  |        | 11.09.4212 – 10  |
| ROLINE GOLD 3.5mm Adaptercable (1x M, 2x F) (Picture G)      | 0.2m   | 11.09.4213 – 10  |



VALUE / ROLINE Audio / Video Cables

• Area of application: multimedia, home theater and hi-fi systems (connection between DVD players or game consoles equipped with a Dolby Digital / dts decoder ...)



**roline**<sup>®</sup>  
Designed for Professionals

**Value**<sup>®</sup>

| Audio / Video Cable               | Length | Order-No. – P.U. |
|-----------------------------------|--------|------------------|
| <b>AV-Fiber Cable (Picture A)</b> |        |                  |
| VALUE Fiber Cable Toslink M-M     | 1.0 m  | 11.99.4381 – 50  |
| VALUE Fiber Cable Toslink M-M     | 2.0 m  | 11.99.4382 – 30  |
| VALUE Fiber Cable Toslink M-M     | 3.0 m  | 11.99.4383 – 20  |
| VALUE Fiber Cable Toslink M-M     | 5.0 m  | 11.99.4385 – 10  |
| VALUE Fiber Cable Toslink M-M     | 10.0 m | 11.99.4389 – 5   |
| ROLINE Fiber Cable Toslink M-M    | 1.0 m  | 11.09.4381 – 50  |
| ROLINE Fiber Cable Toslink M-M    | 2.0 m  | 11.09.4382 – 30  |
| ROLINE Fiber Cable Toslink M-M    | 3.0 m  | 11.09.4383 – 20  |
| ROLINE Fiber Cable Toslink M-M    | 5.0 m  | 11.09.4385 – 10  |
| <b>Cinch Cable (Picture B)</b>    |        |                  |
| VALUE Cinch Cable simplex M-F     | 5.0 m  | 11.99.4325 – 30  |
| VALUE Cinch Cable simplex M-F     | 10.0 m | 11.99.4329 – 20  |
| VALUE Cinch Cable duplex M-F      | 5.0 m  | 11.99.4326 – 20  |
| VALUE Cinch Cable duplex M-F      | 10.0 m | 11.99.4330 – 15  |
| <b>Cinch Cable (Picture C)</b>    |        |                  |
| VALUE Cinch Cable simplex M-M     | 2.5 m  | 11.99.4332 – 50  |
| VALUE Cinch Cable simplex M-M     | 5.0 m  | 11.99.4335 – 30  |
| VALUE Cinch Cable simplex M-M     | 10.0 m | 11.99.4339 – 20  |
| VALUE Cinch Cable duplex M-M      | 5.0 m  | 11.99.4336 – 20  |
| VALUE Cinch Cable duplex M-M      | 10.0 m | 11.99.4338 – 15  |
| ROLINE Cinch Cable duplex M-M     | 5.0 m  | 11.09.4336 – 20  |
| ROLINE Cinch Cable duplex M-M     | 10.0 m | 11.09.4338 – 15  |

| Audio / Video Cable                                  | Length | Order-No. – P.U. |
|--|--------|------------------|
| <b>3.5mm Cinch Cable (Picture D)</b>                 |        |                  |
| VALUE 3.5mm (M) Cinch (2x M) Cable                   | 1.5 m  | 11.99.4341 – 50  |
| VALUE 3.5mm (M) Cinch (2x M) Cable                   | 5.0 m  | 11.99.4345 – 30  |
| VALUE 3.5mm (M) Cinch (2x F) Cable                   | 0.2 m  | 11.99.4340 – 100 |
| ROLINE 3.5mm (M) Cinch (2x M) Cable                  | 1.5 m  | 11.09.4341 – 50  |
| ROLINE 3.5mm (M) Cinch (2x M) Cable                  | 5.0 m  | 11.09.4345 – 30  |
| ROLINE 3.5mm (M) Cinch (2x M) Cable                  | 10.0 m | 11.09.4349 – 20  |
| ROLINE 3.5mm (M) Cinch (2x F) Cable                  | 0.2 m  | 11.09.4340 – 100 |
| <b>3.5mm Cable (Picture E)</b>                       |        |                  |
| ROLINE 3.5mm Cable M-M                               | 0.2 m  | 11.09.4500 – 150 |
| ROLINE 3.5mm Cable M-M                               | 1.0 m  | 11.09.4501 – 100 |
| ROLINE 3.5mm Cable M-M                               | 2.0 m  | 11.09.4502 – 50  |
| ROLINE 3.5mm Cable M-M                               | 3.0 m  | 11.09.4503 – 30  |
| ROLINE 3.5mm Cable M-M                               | 5.0 m  | 11.09.4505 – 20  |
| ROLINE 3.5mm Cable M-M                               | 10.0 m | 11.09.4510 – 10  |
| <b>3.5mm Extension Cable (Picture F)</b>             |        |                  |
| VALUE 3.5mm Extension Cable M-F                      | 2.0 m  | 11.99.4352 – 20  |
| VALUE 3.5mm Extension Cable M-F                      | 3.0 m  | 11.99.4353 – 50  |
| VALUE 3.5mm Extension Cable M-F                      | 5.0 m  | 11.99.4355 – 30  |
| VALUE 3.5mm Extension Cable M-F                      | 10.0 m | 11.99.4359 – 20  |
| ROLINE 3.5mm Extension Cable M-F                     | 2.0 m  | 11.09.4352 – 20  |
| ROLINE 3.5mm Extension Cable M-F                     | 3.0 m  | 11.09.4353 – 50  |
| ROLINE 3.5mm Extension Cable M-F                     | 5.0 m  | 11.09.4355 – 30  |
| ROLINE 3.5mm Extension Cable M-F                     | 10.0 m | 11.09.4359 – 20  |
| <b>S-Video Cable, Mini DIN 4pol. M-M (Picture G)</b> |        |                  |
| VALUE S-Video Cable                                  | 3.0 m  | 11.99.4363 – 50  |
| VALUE S-Video Cable                                  | 5.0 m  | 11.99.4365 – 30  |

VALUE / ROLINE Audio Adapters



**Value**<sup>®</sup>

|   | Order-No. – P.U.   |
|---|--------------------|
| VALUE 3.5mm Adapter, 1x 3.5mm M to 2x 3.5mm F                     | A 11.99.4440 – 100 |
| VALUE 3.5mm Adapter, 1x 3.5mm M to 2x RCA F                       | B 11.99.4441 – 100 |
| ROLINE 4 Conductor 3.5 mm Stereo Plug (speaker+microphone), 15 cm | C 11.09.4441 – 20  |
| ROLINE 3.5 mm Stereo Coupler, F/F                                 | D 11.09.4442 – 10  |
| ROLINE Stereo Adapter 3.5 mm Male - 6.35 mm Female                | E 11.09.4443 – 10  |
| ROLINE Stereo Adapter 6.35 mm Male - 3.5 mm Female                | F 11.09.4444 – 10  |

**roline**<sup>®</sup>  
Designed for Professionals



### VALUE Internal SATA 3.0 Gbit/s Cable

- Cables for the connection of a SATA 3.0 Gbit/s (SATA II) HDD to a Serial ATA controller
- Support data transfer rates of up to 3.0 Gbit/s
- Compatible with SATA 1.5 Gbit/s (SATA I)
- Narrow cable design to increase internal air flow
- 4-pin cable with ground wires
- Connectors: 2x internal 7-pin SATA

Order-No. – P.U.

VALUE Internal SATA 3.0 Gbit/s Cable, 0.5 m 11.99.1555 – 100

VALUE Internal SATA 3.0 Gbit/s Cable, 1.0 m  11.99.1560 – 100

VALUE Internal SATA 3.0 Gbit/s Cable, angled, 0.5 m 11.99.1556 – 100



**Value**<sup>®</sup>

### ROLINE Internal SATA 3.0 Gbit/s Cable

The narrow high quality cable design simplifies cable, routing and installation and improves the internal air flow.

- Connect your high-speed Serial ATA device (e. g. HDD) to a Serial ATA Controller
- Support data transfer rates of up to 3.0 Gbit/s (SATA II)
- Compatible with SATA 1.5 Gbit/s (SATA I)
- 4-pin cable with ground wires
- Connectors: 2x internal 7-pin SATA

Order-No. – P.U.

ROLINE Internal SATA 3.0 Gbit/s Cable, 0.5 m 11.03.1555 – 100

ROLINE Internal SATA 3.0 Gbit/s Cable, angled, 0.5 m 11.03.1556 – 100



**roline**<sup>®</sup>  
Designed for Professionals

### VALUE Internal SATA 6.0 Gbit/s Cable with Latch

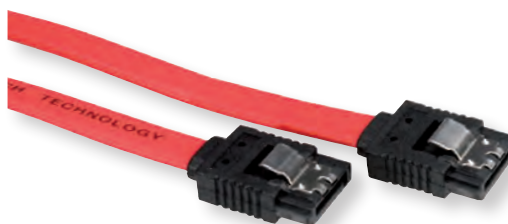
Some of the advantages of the new ATA series (SATA technology) are conditional on the use of relatively thin and flexible cables, which simplifies the use in the computer substantially and also brings a clear improvement to the air flow inside the computer housing.

- Connect your high-speed Serial ATA device (e. g. HDD) to a Serial ATA controller
- Support data transfer rates of up to 6.0 Gbit/s
- Compatible with SATA 1.5 Gbit/s (SATA I) and 3.0 Gbit/s (SATA II)
- 4-pin cable with ground wires
- Connectors: 2x internal 7-pin SATA with latch on both connectors

Order-No. – P.U.

VALUE Internal SATA 6.0 Gbit/s Cable with Latch, 0.5 m 11.99.1550 – 20

VALUE Internal SATA 6.0 Gbit/s Cable with Latch, 1.0 m 11.99.1551 – 20



**Value**<sup>®</sup>

### ROLINE Internal SATA 6.0 Gbit/s Cables with Latch

Utilizing the SATA III specification and with its unique locking latch, you can rest assured your system is safe and secure.

- Connect your high-speed Serial ATA device (e. g. HDD) to a Serial ATA Controller
- Support data transfer rates of up to 6.0 Gbit/s
- Compatible with SATA 1.5 Gbit/s (SATA I) and 3.0 Gbit/s (SATA II)
- Cable With latch on both connectors
- Narrow cable design to increase internal air flow
- 4-pin cable with ground wires
- Connectors: 2x internal 7-pin SATA

Order-No. – P.U.

ROLINE Internal SATA 6.0 Gbit/s Cable with Latch, 0.5 m 11.03.1552 – 50

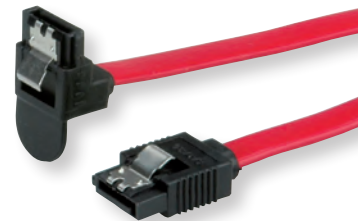


**roline**<sup>®</sup>  
Designed for Professionals

### ROLINE Internal SATA 6.0 Gbit/s Cables, angled, with Latch

Utilizing the SATA III specification and with its unique locking latch, you can rest assured your system is safe and secure.

- Connect your high-speed Serial ATA device (e. g. HDD) to a Serial ATA Controller
- Support data transfer rates of up to 6.0 Gbit/s
- Compatible with SATA 1.5 Gbit/s (SATA I) and 3.0 Gbit/s (SATA II)
- Cable with latch on both connectors
- Cable with connector angled to one side, with pull for easy removal
- Narrow cable design to increase internal air flow
- 4-pin cable with ground wires
- Connectors: 2x internal 7-pin SATA



|  | Order-No. – P.U. |
|--|------------------|
| ROLINE Internal SATA 6.0 Gbit/s Cable, angled, with Latch, 0.5 m | 11.03.1564 – 25  |
| ROLINE Internal SATA 6.0 Gbit/s Cable, angled, with Latch, 1.0 m | 11.03.1565 – 25  |

**roline**<sup>®</sup>  
Designed for Professionals

### ROLINE External SATA 6.0 Gbit/s Cables

ROLINE high quality HDD cables for the connection of an external SATA hard disk.

- Support data transfer rates of up to 6.0 Gbit/s (SATA III)
- Compatible with SATA 3.0 Gbit/s (SATA II), SATA 1.5 Gbit/s (SATA I)
- 4-pin cable with ground wires
- Connectors: 2x external 7-pin SATA 3.0 Gbit/s



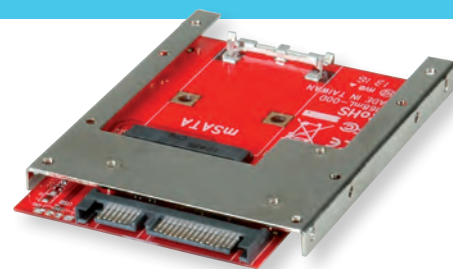
|  | Order-No. – P.U. |
|--|------------------|
| ROLINE External SATA 6.0 Gbit/s Cable, 0.5 m | 11.03.1548 – 50  |
| ROLINE External SATA 6.0 Gbit/s Cable, 1.0 m | 11.03.1549 – 50  |

**roline**<sup>®</sup>  
Designed for Professionals

### ROLINE Adapter, mSATA SSD to 2.5 SATA 22pin

Best Solution that convert and easily retain mSATA SSD as normally standard 2.5 SATA SSD

- Convert Full Size mSATA SSD to 2.5 Form Factor
- Supports up to SATA 6Gb/s
- Compatible with 2.5 SATA drive mechanical specifications
- 22 pin SATA (signals and power) male connector on board
- Transparent to the operating system and no driver required
- Latch mSATA connector on board, a screw to fix the mSATA module isn't necessary
- Contents: adapter, 2.5 drive metal frame (with 8 mounting holes and 4 HDD screws), manual



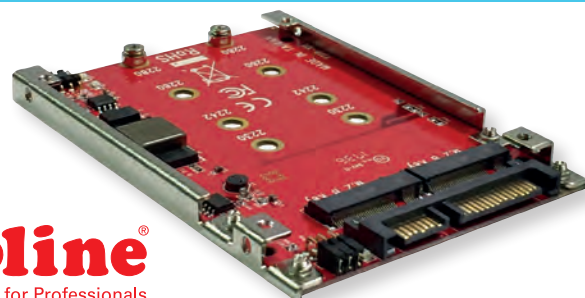
|   | Order-No. – P.U. |
|---|------------------|
| ROLINE Adapter, mSATA SSD to 2.5 SATA 22pin | 11.03.1567 – 10  |

**roline**<sup>®</sup>  
Designed for Professionals

### ROLINE M.2 to SATA III SSD H/W adapter, 2x M.2 NGFF SSD, bootable and RAID-capable

2.5-inch H/W adapter for the installation of two M. 2 SSDs (NGFF), bootable and RAID-compatible and with 6Gbit/s SATA connection!

- Supports two M. 2 NGFF SSDs with form factor 2230, 2242, 2260 and 2280
- M.2 NGFF SATA SSDs can be primary boot device and contain operating system and applications.
- RAID 0 and RAID 1 configurable via hardware or software; configuration on the hardware side via 6 pins with jumper (jumper table on the back of the board)
- The 2.5 inch H/W adapter can be installed in a 2.5" housing and is therefore perfectly suited for mobile use.
- No drivers required
- Contents: HDD adapter

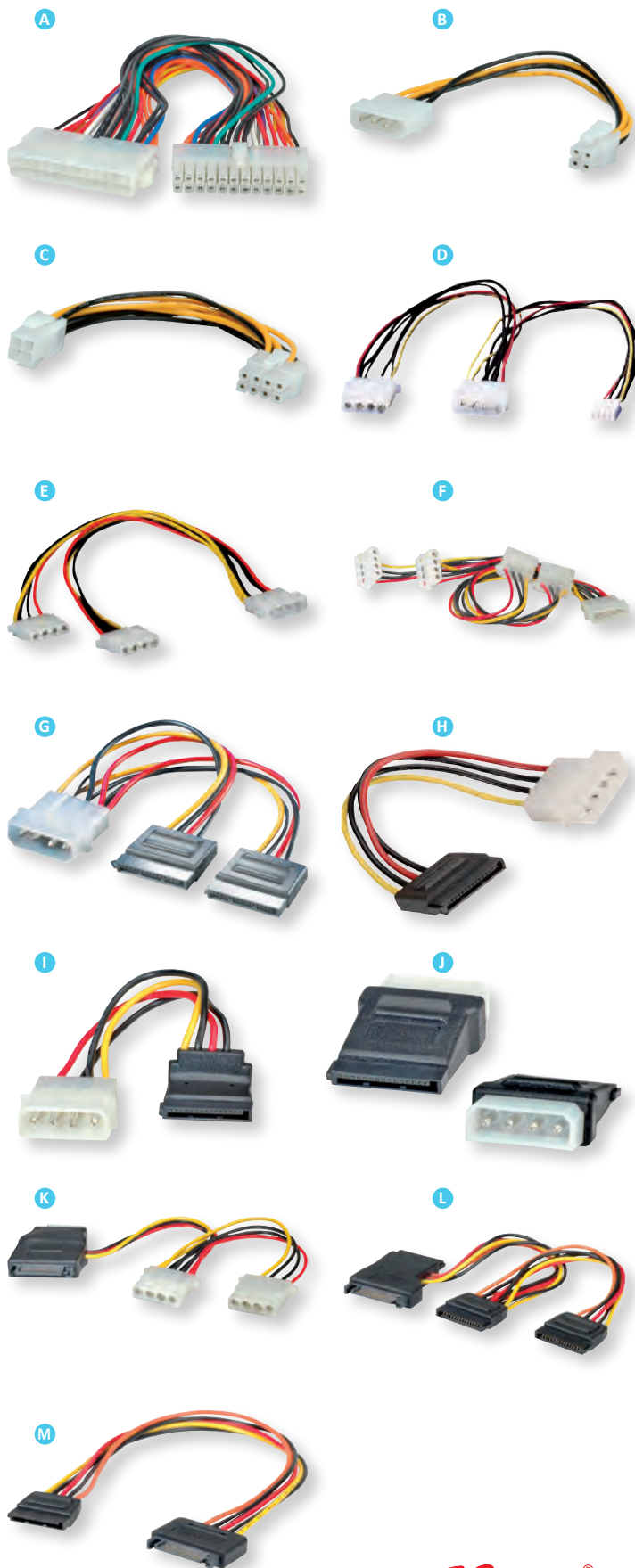


|  | Order-No. – P.U. |
|--|------------------|
| ROLINE M.2 to SATA III SSD H/W adapter, 2x M.2 NGFF SSD, bootable and RAID-capable | 16.01.4145 – 10  |

**roline**<sup>®</sup>  
Designed for Professionals

## ROLINE Internal Power Supply Cables

- **11.03.1016: (A)**
- Extension cable from the power supply to the ATX 2.0 motherboard; 24-pin motherboard connector (M/F); length: 0.3 m
- **11.03.1019: (B)**
- For connection of a power supply to a Intel Pentium mainboard with P4 port via standard power supply and HDD-4-pin power plug; length: 0.15m
- **11.03.1021: (C)**
- Additional power supply cable for mainboard and CPU. Plugs: Power 8 pin PCI Express > HDD-4-pin power plug (3 pin connected); length: 0.15 m
- **11.03.1010: (D)**
- Internal power supply cables for an additional type 5.25 or type 3.5 disk drives; Y-model; 4-pin HDD M to 4-pin HDD F / 4-pin FDD F; length: 0.3 m
- **11.03.1005: (E)**
- Internal power supply cables for two additional type 5.25 disk drives; Y-model; 4-pin HDD M to 2x 4-pin HDD F; length: 0.3 m
- **11.03.1003: (F)**
- To expand the 4-pin HDD plug to four 4-pin HDD plugs, angled (90°); length: 2x 0.45 m; distance between 4-pin HDD plug and first angled 4-pin HDD plug: 0.3 m; distance between first angled 4-pin HDD plug and second angled 4-pin HDD plug: 0.15 m
- **11.03.1050: (G)**
- To convert the 4-pin HDD plug to two SATA power connectors; to connect two SATA devices to one 4-pin HDD plug; length: 2x 0.12 m
- **11.03.1055: (H)**
- Adapter cable for converting the 4-pin HDD interface to the SATA power connector; 4-pin cable, connections: 4-pin HDD plug to 15-pin SATA power connector; length: 0.15 m
- **11.03.1061: (I)**
- Adapter cable for converting the 4-pin HDD interface to the SATA power connector; 4-pin HDD plug to 15-pin SATA power connector; angled (90°); length: 0.1 m
- **11.03.1060: (J)**
- Adapter for converting the 4-pin HDD interface to the SATA power connector
- **11.03.1040: (K)**
- Y-adapter cable for converting the SATA power connector to up to 3 additional 4-pin HDD plugs; 3x 4-pin HDD plug to 1x SATA; length 11.5 cm and 12.5 cm
- **11.03.1041: (L)**
- Y-adapter cable for converting one SATA power connector to up to 3 additional SATA power connectors; 3x SATA M to 1x SATA; length 0.24 m and 0.23 m
- **11.03.1042: (M)**
- Extension cable for a SATA power connection; SATA M to SATA F; length: 0.3 m



## Order-No. – P.U.

|  |                  |
|--|------------------|
| ROLINE ATX 2.0 Power Extension Cable, 24-pin, 0.3 m                    | 11.03.1016 – 50  |
| ROLINE Internal Power Cable, 4-pin HDD/ ATX12V-P4 4-pin Power, 0.15 m  | 11.03.1019 – 10  |
| ROLINE Internal Power Cable, 8 pin PCI Express Plug - P4 Plug, 0.15 m  | 11.03.1021 – 10  |
| ROLINE Int. Y-Power Cable, 4-pin HDD to 4-pin HDD+4-pin FDD, 0.3 m     | 11.03.1010 – 100 |
| ROLINE Internal Y-Power Cable, 4-pin HDD to 2x 4-pin HDD, 0.3 m        | 11.03.1005 – 100 |
| ROLINE Internal Y-Power Cable, 4-pin HDD to 4x 4-pin HDD (90°), 0.15 m | 11.03.1003 – 50  |
| ROLINE Internal Y-Power Cable, 4-Pin HDD to 2x SATA, 0.12 m            | 11.03.1050 – 50  |
| ROLINE Power Adapter Cable, 4-Pin HDD to SATA, 0.15 m                  | 11.03.1055 – 50  |
| ROLINE Power Adapter Cable, 4-pin HDD to SATA (90°), 0.1 m             | 11.03.1061 – 25  |
| ROLINE Power Adapter, 4-pin HDD to SATA                                | 11.03.1060 – 25  |
| ROLINE Internal Y-Power Cable, SATA to 3x 4-pin HDD                    | 11.03.1040 – 25  |
| ROLINE Internal Y-Power Cable, SATA to 3x SATA                         | 11.03.1041 – 25  |
| ROLINE SATA Power Extension Cable, 0.3 m                               | 11.03.1042 – 25  |



VALUE / ROLINE Monitor Power Cables, IEC 320 C14 - C13

- Monitor power cable with moulded plugs
- Connectors: IEC 320-C14 plug to IEC 320-C13 plug
- Nominal data: 250V AC/10A

|  | Order-No.  | P.U. |
|--|------------|------|
| VALUE Monitor Power Cable, IEC 320 C14 - C13, black, 0.5 m   | 19.99.1505 | - 20 |
| VALUE Monitor Power Cable, IEC 320 C14 - C13, black, 1 m     | 19.99.1510 | - 20 |
| VALUE Monitor Power Cable, IEC 320 C14 - C13, black, 1.8 m   | 19.99.1515 | - 50 |
| VALUE Monitor Power Cable, IEC 320 C14 - C13, black, 3 m     | 19.99.1530 | - 50 |
| ROLINE Monitor Power Cable, IEC 320 C14 - C13, black, 0.5 m  | 19.08.1505 | - 50 |
| ROLINE Monitor Power Cable, IEC 320 C14 - C13, black, 1 m    | 19.08.1510 | - 30 |
| ROLINE Monitor Power Cable, IEC 320 C14 - C13, black, 1.8 m  | 19.08.1515 | - 50 |
| ROLINE Monitor Power Cable, IEC 320 C14 - C13, black, 3 m    | 19.08.1530 | - 50 |
| VALUE Monitor Power Cable, IEC 320 C14 - C13, white, 1.8 m   | 19.99.1516 | - 50 |
| ROLINE Monitor Power Cable, IEC 320 C14 - C13, red, 0.8 m    | 19.08.1525 | - 25 |
| ROLINE Monitor Power Cable, IEC 320 C14 - C13, red, 1.8 m    | 19.08.1520 | - 25 |
| ROLINE Monitor Power Cable, IEC 320 C14 - C13, red, 3 m      | 19.08.1531 | - 25 |
| ROLINE Monitor Power Cable, IEC 320 C14 - C13, yellow, 0.8 m | 19.08.1526 | - 25 |
| ROLINE Monitor Power Cable, IEC 320 C14 - C13, yellow, 1.8 m | 19.08.1521 | - 25 |
| ROLINE Monitor Power Cable, IEC 320 C14 - C13, yellow, 3 m   | 19.08.1532 | - 25 |
| ROLINE Monitor Power Cable, IEC 320 C14 - C13, blue, 0.8 m   | 19.08.1527 | - 25 |
| ROLINE Monitor Power Cable, IEC 320 C14 - C13, blue, 1.8 m   | 19.08.1522 | - 25 |
| ROLINE Monitor Power Cable, IEC 320 C14 - C13, blue, 3 m     | 19.08.1533 | - 25 |
| ROLINE Monitor Power Cable, IEC 320 C14 - C13, green, 0.8 m  | 19.08.1528 | - 25 |
| ROLINE Monitor Power Cable, IEC 320 C14 - C13, green, 1.8 m  | 19.08.1523 | - 25 |
| ROLINE Monitor Power Cable, IEC 320 C14 - C13, green, 3 m    | 19.08.1534 | - 25 |



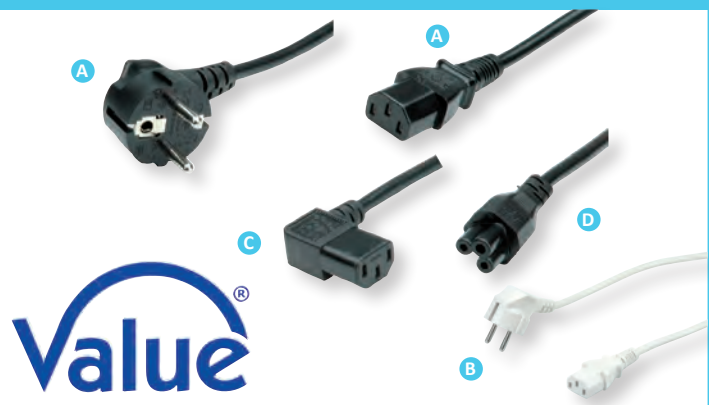
VALUE Power Cables, straight IEC Connector



Cable with safety plug 90° angulate (Schuko plug) and IEC 320-C13

- Plugs: Schuko plug to C13 plug
- Nominal data: 250V AC/2.5A

|  | Order-No.    | P.U. |
|--|--------------|------|
| VALUE Power Cable, straight IEC Connector, black, 0.6 m          | A 19.99.1017 | - 50 |
| VALUE Power Cable, straight IEC Connector, black, 1.8 m          | A 19.99.1018 | - 50 |
| VALUE Power Cable, straight IEC Connector, white, 0.6 m          | B 19.99.1016 | - 50 |
| VALUE Power Cable, straight IEC Connector, white, 1.8 m          | B 19.99.1019 | - 50 |
| VALUE Power Cable, angled IEC Connector, black, 1.8 m            | C 19.99.1118 | - 50 |
| VALUE Power Cable, straight Compaq Connector, black, 1.8 m       | D 19.99.1028 | - 20 |
| VALUE Power Cable, IEC Connector, black, 1.5mm2, 3 m             | 19.99.1014   | - 20 |
| VALUE Power Cable, straight 3P GER + IEC Connector, black, 0.6 m | 19.99.1023   | - 50 |
| VALUE Power Cable, straight 3P GER + IEC Connector, black, 1.8 m | 19.99.1024   | - 50 |



ROLINE Power Cables, straight IEC Connector



Cable with safety plug 90° angulate (Schuko plug) and IEC 320-C13

- Plugs: Schuko plug to C13 plug
- Nominal data: 250V AC/10A
- Colour: black

|   | Order-No.    | P.U. |
|---|--------------|------|
| ROLINE Power Cable, straight IEC Connector, black, 1.8 m          | A 19.08.1018 | - 50 |
| ROLINE Power Cable, straight IEC Connector, 3 m                   | A 19.08.1030 | - 50 |
| ROLINE Power Cable, angled IEC Connector, 1.8 m                   | B 19.08.1118 | - 50 |
| ROLINE Power Cable, straight Compaq Connector, 1.8 m              | C 19.08.1028 | - 20 |
| ROLINE Power Cable, IEC Connector, black, 1.5mm2, 3 m             | 19.08.1014   | - 10 |
| ROLINE Power Cable, straight 3P GER + IEC Connector, black, 1.8 m | 19.08.1024   | - 50 |
| ROLINE Power Cable, straight 3P GER + IEC Connector, black, 3 m   | 19.08.1029   | - 10 |



### ROLINE Power Cables, straight IEC Connector



A great solution for neat cable management in any data center! We recommend our colored monitor power cables, e.g. 19.08.1520 (C14-C13), as additional products.

Cable with safety plug 90° angulate (german type) and IEC 320-C13

- Plugs: safety plug to C13 plug
- Nominal data: 250V AC/2.5A

**roline**<sup>®</sup>  
Designed for Professionals

Order-No. – P.U.

|   |                 |
|---|-----------------|
| ROLINE Power Cable, straight IEC Connector, red, 1.8 m    | 19.08.1010 – 25 |
| ROLINE Power Cable, straight IEC Connector, yellow, 1.8 m | 19.08.1011 – 25 |
| ROLINE Power Cable, straight IEC Connector, blue, 1.8 m   | 19.08.1012 – 25 |
| ROLINE Power Cable, straight IEC Connector, green, 1.8 m  | 19.08.1013 – 25 |



### VALUE / ROLINE Euro Power Cables, 2-pin

- Suitable e.g. for notebook power supply
- Connectors: Europlug to IEC320-C7 plug
- Moulded plugs
- 250V AC/2.5A

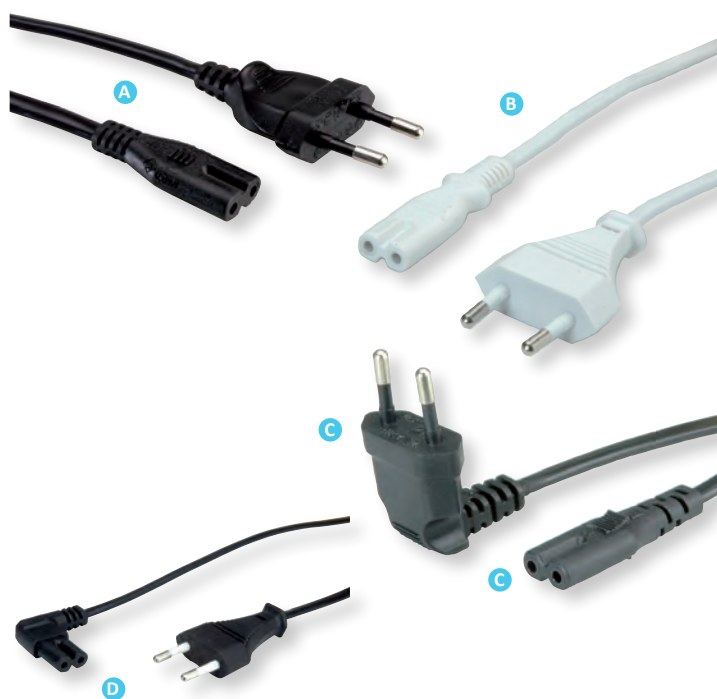
**roline**<sup>®</sup>  
Designed for Professionals

**Value**<sup>®</sup>



Order-No. – P.U.

|  |                    |
|--|--------------------|
| VALUE Euro Power Cable, 2-pin, black, 1 m                            | A 19.99.2089 – 100 |
| VALUE Euro Power Cable, 2-pin, black, 1.8 m                          | A 19.99.2096 – 100 |
| VALUE Euro Power Cable, 2-pin, black, 3 m                            | A 19.99.2092 – 50  |
| VALUE Euro Power Cable, 2-pin, black, 5 m                            | A 19.99.2094 – 50  |
| VALUE Euro Power Cable, 2-pin, white, 1 m                            | B 19.99.2090 – 100 |
| VALUE Euro Power Cable, 2-pin, white, 1.8 m                          | B 19.99.2095 – 100 |
| VALUE Euro Power Cable, 2-pin, white, 3 m                            | B 19.99.2091 – 50  |
| ROLINE Euro Power Cable, 2-pin, black, 1.8 m                         | A 19.07.2096 – 100 |
| ROLINE Euro Power Cable, 2-pin, black, 3 m                           | A 19.07.2073 – 50  |
| ROLINE Euro Power Cable, 2-pin, black, 5 m                           | A 19.07.2078 – 50  |
| VALUE Euro Power Cable, 2-pin, C/ connector 90° angled, black, 1.8 m | D 19.99.2088 – 100 |
| ROLINE Euro Power Cable, 2-pin, angled, black, 1.8 m                 | C 19.07.2093 – 100 |



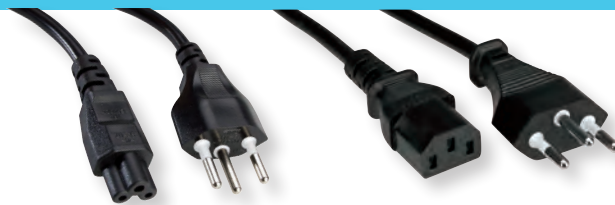
### VALUE Notebook Power Cable, Swiss, 3-pin



- Molded, SEV-tested power cord for connecting notebooks
- Rated data: 2.5 A / 250V AC
- Color: black / white

Order-No. – P.U.

|  |                 |
|--|-----------------|
| VALUE Notebook Power Cable, 3-pin, CH, black, 1 m    | 19.99.2097 – 50 |
| ROLINE Notebook Power Cable, 3-pin, CH, black, 1.8 m | 19.07.2097 – 50 |
| VALUE Power Cable, Straight IEC, CH, black, 0.8 m    | 19.99.1221 – 50 |
| VALUE Power Cable, Straight IEC, CH, black, 1.8 m    | 19.99.1220 – 50 |
| VALUE Power Cable, Straight IEC, CH, black, 3 m      | 19.99.1222 – 50 |
| VALUE Power Cable, Straight IEC, CH, white, 1.8 m    | 19.99.1223 – 50 |



**roline**<sup>®</sup>  
Designed for Professionals

**Value**<sup>®</sup>

## VALUE / ROLINE Y-Power Cable, 2x straight IEC Connector

Cable with safety plug 90° angled (3P German Plug) and 2x IEC 320-C13 plug straight

- Suitable for PC and monitor power connection
- Connectors: 3P German plug to 2x C13 plug
- Nominal data: 250V AC/10A



Order-No. – P.U.

|   |                 |
|---|-----------------|
| VALUE Y-Power Cable, 2x straight IEC Connector, black, 2 m  | 19.99.1022 – 50 |
| ROLINE Y-Power Cable, 2x straight IEC Connector, black, 2 m | 19.08.1022 – 50 |
| ROLINE Y-Power Cable, 2x straight IEC Connector, white, 2 m | 19.08.1023 – 50 |

**roline**<sup>®</sup>  
Designed for Professionals

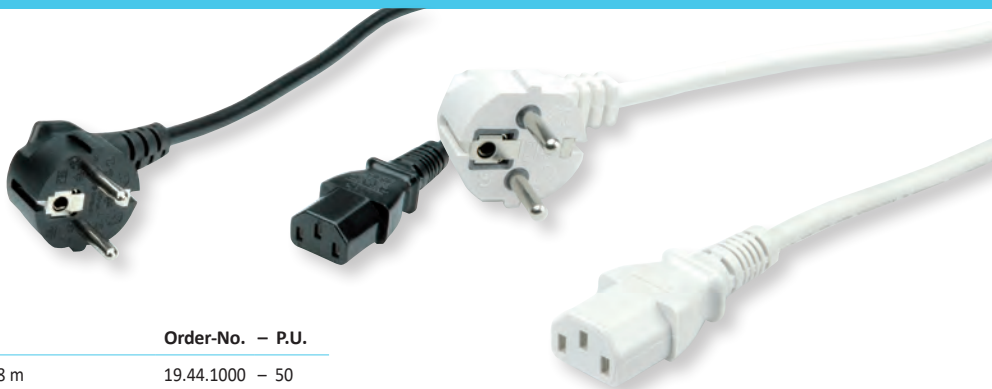
**Value**<sup>®</sup>

## ROLINE GREEN Power Cable, straight IEC Connector, LSOH

Cable with safety plug 90° angulate (Schuko plug) and IEC 320-C13

- Plugs: 3 Pole German Type plug to C13 plug
- Nominal data: 250V AC/10A
- Colour: black / white

**ROLINE GREEN** products are marked only with a paper tag and build with halogen-free TPE material, without plastic bags and without plastic cable straps for use in eco-friendly environments.



Order-No. – P.U.

|  |                 |
|--|-----------------|
| ROLINE GREEN Power Cable, straight IEC Connector, black, 0.8 m | 19.44.1000 – 50 |
| ROLINE GREEN Power Cable, straight IEC Connector, black, 1.8 m | 19.44.1001 – 50 |
| ROLINE GREEN Power Cable, straight IEC Connector, black, 3 m   | 19.44.1002 – 50 |
| ROLINE GREEN Power Cable, straight IEC Connector, white, 0.8 m | 19.44.1005 – 50 |
| ROLINE GREEN Power Cable, straight IEC Connector, white, 1.8 m | 19.44.1006 – 50 |
| ROLINE GREEN Power Cable, straight IEC Connector, white, 3 m   | 19.44.1007 – 50 |

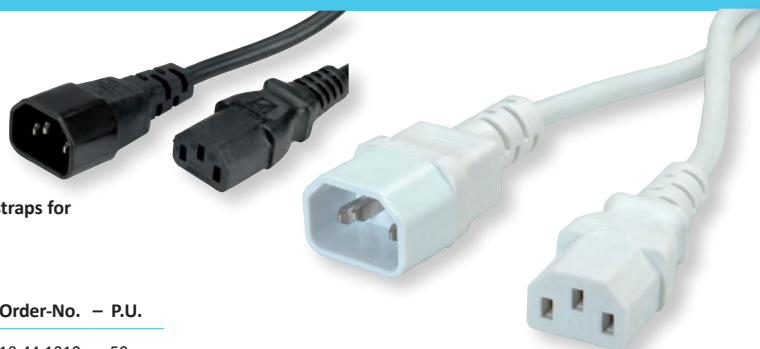
**roline**<sup>®</sup>  
green

Halogenfree  
Flame retardant  
Low Smoke

## ROLINE GREEN Monitor Power Cable, IEC 320 C14 - C13, LSOH

- Monitor power cable with moulded plugs
- Connectors: IEC 320-C14 plug to IEC 320-C13 plug
- Nominal data: 250V AC/10A
- Colour: black / white

**ROLINE GREEN** products are marked only with a paper tag and build with halogen-free TPE material, without plastic bags and without plastic cable straps for use in eco-friendly environments.



Order-No. – P.U.

|   |                 |
|---|-----------------|
| ROLINE GREEN Monitor Power Cable, IEC 320 C14 - C13, black, 0.8 m | 19.44.1010 – 50 |
| ROLINE GREEN Monitor Power Cable, IEC 320 C14 - C13, black, 1.8 m | 19.44.1011 – 50 |
| ROLINE GREEN Monitor Power Cable, IEC 320 C14 - C13, black, 3 m   | 19.44.1012 – 50 |
| ROLINE GREEN Monitor Power Cable, IEC 320 C14 - C13, white, 0.8 m | 19.44.1015 – 50 |
| ROLINE GREEN Monitor Power Cable, IEC 320 C14 - C13, white, 1.8 m | 19.44.1016 – 50 |
| ROLINE GREEN Monitor Power Cable, IEC 320 C14 - C13, white, 3 m   | 19.44.1017 – 50 |

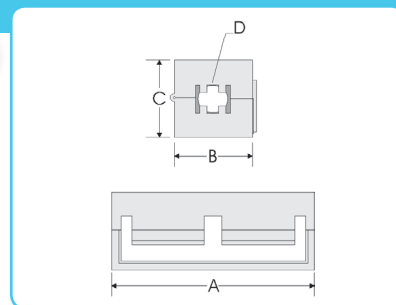
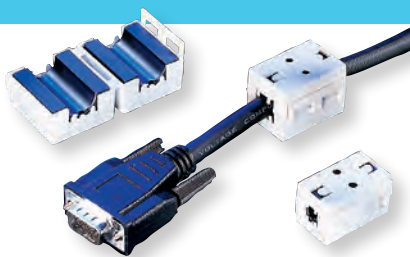
**roline**<sup>®</sup>  
green

Halogenfree  
Flame retardant  
Low Smoke



## Filter Ferrite Cores

- For interference suppression on data lines
- For PC and peripherals
- Simple subsequent assembly
- Split conduit cores
- Nylon clip casing
- Protected against damage
- The casing clamps securely on the cable
- Universal application
- Casing UL 94-V-0



|                         | Order-No. – P.U. |
|-------------------------|------------------|
| Filter Ferrite - 6.5 mm | 11.05.1006 – 200 |
| Filter Ferrite - 10 mm  | 11.05.1010 – 190 |

| Model              | Dimensions in mm |      |      |      | Impedance (Ohm) |        | Frequency Range |
|--------------------|------------------|------|------|------|-----------------|--------|-----------------|
|                    | A                | B    | C    | D    | 25MHz           | 100MHz |                 |
| Filter-ferrite-6.5 | 32.0             | 19.5 | 19.0 | 6.5  | 125             | 275    | 300MHz          |
| Filter-ferrite-10  | 32.0             | 24.5 | 23.0 | 10.0 | 130             | 290    | 300MHz          |

Should not be mounted on the cable any further away than 10 cm from the plug!

## VALUE Mini Gender Changer, 9-pin / 25-pin

## VALUE Mini Gender Changer

- Connection between two similar connectors
- Low leverage on the computer connector due to compact construction (17 mm long)
- All lines are connected 1:1
- Incl. locking screws



Order-No. – P.U.

|   |                 |
|---|-----------------|
| VALUE Mini Gender Changer, 9-pin M / M  | 12.99.2025 – 50 |
| VALUE Mini Gender Changer, 9-pin F / F  | 12.99.2030 – 50 |
| VALUE Mini Gender Changer, 25-pin M / M | 12.99.2005 – 50 |
| VALUE Mini Gender Changer, 25-pin F / F | 12.99.2010 – 50 |



## ROLINE Mini Gender Changers

- Connection between two similar connectors
- Low leverage on the computer connector due to compact construction (17 mm long)
- All lines are connected 1:1
- Incl. locking screws

Order-No. – P.U.

|   |                 |
|---|-----------------|
| ROLINE Mini Gender Changer, 9-pin M - M     | 12.03.2025 – 50 |
| ROLINE Mini Gender Changer, 9-pin F - F     | 12.03.2030 – 50 |
| ROLINE Mini Gender Changer, 15-pin HD M - M | 12.03.2016 – 50 |
| ROLINE Mini Gender Changer, 15-pin HD F - F | 12.03.2021 – 50 |
| ROLINE Mini Gender Changer, 25-pin M - M    | 12.03.2005 – 50 |
| ROLINE Mini Gender Changer, 25-pin F - F    | 12.03.2010 – 50 |

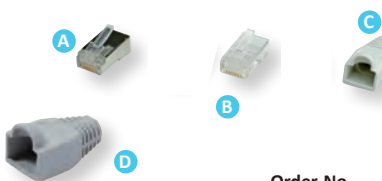


**roline**  
Designed for Professionals

## ROLINE Cat.5e Modular Plug, 8p8c, UTP, for Stranded Wire

- Unshielded modular plug for round cables
- For stranded wire AWG26
- For Cat.5e cabling systems
- Package unit: 10 pieces

**roline**  
Designed for Professionals



Order-No. – P.U.

|   |                  |
|---|------------------|
| ROLINE Cat.5e Modular Plug, 8p8c, UTP, for Stranded Wire, 10 pcs. A | 12.01.1087 – 100 |
| ROLINE Cat.5e Modular Plug, 8p8c, STP, for Stranded Wire, 10 pcs. B | 12.01.1089 – 100 |
| ROLINE Kink protection hood for RJ-45, grey, 10 pcs. C              | 12.01.1085 – 100 |
| VALUE Kink protection hood for RJ-45 connector, grey, 10 pcs. D     | 12.99.0000 – 10  |

## RJ-12 Cable, 6P4C

- 4-wire flat telephone cable with 6-pole 4-contact RJ-12 (Western) plug
- Colour: white
- All pins connected 1: 1



Order-No. – P.U.

|                         |                 |
|-------------------------|-----------------|
| RJ-12 Cable, 6P4C, 6 m  | 11.04.1906 – 10 |
| RJ-12 Cable, 6P4C, 15 m | 11.04.1915 – 10 |

**ROLINE DB9 plug - RJ-45 socket 8P / 8C 8-Wire**

- Simple assembly of serial lines through the modularity of the RJ45 connection systems
- An adapter is applied to each end and connected with a 8-wire prepared telephone cable



**roline**<sup>®</sup>  
Designed for Professionals

|   |                 |
|---|-----------------|
| ROLINE DB9 plug - RJ-45 socket 8P / 8C 8-Wire   | 12.03.7524 - 50 |
| ROLINE DB9 socket - RJ-45 socket 8P / 8C 8-Wire | 12.03.7529 - 50 |

**D-Sub Connector Casings**

- Suitable for D-Sub plug connectors
- Screwed, stable plastic casing
- Internal strain reduction
- With UN-4-40 locking screws which can't be lost
- Without connector



Order-No. - P.U.

|                                   |                  |
|-----------------------------------|------------------|
| D-Sub Connector Casing 9-pin/HD15 | 12.01.4005 - 200 |
|-----------------------------------|------------------|

**ROLINE USB 2.0 Gender Changer, Type A F/F**

- Compact and small design
- Adaption of frequent USB interfaces
- Colour: Black

**roline**<sup>®</sup>  
Designed for Professionals



Order-No. - P.U.

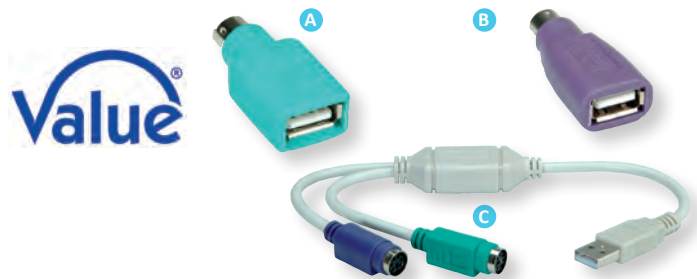
|   |                   |
|---|-------------------|
| ROLINE USB 2.0 Gender Changer, Type A F/F | A 12.03.2960 - 50 |
| ROLINE USB 3.0 Gender Changer, Type A F/F | B 12.03.2991 - 20 |

**VALUE PS/2 to USB Adapter / VALUE USB to 2x PS/2 Adapter Cable**

- Only for USB / PS/2 combo mice
- USB mouse has to be connected to the adapter and the adapter has to be connected to the PS/2 port of the PC
- Ports: 1x USB Type A F, 1x PS/2 M
- 12.99.1075**
- Ideal for the use with actual notebooks, which do not offer PS/2 ports any longer
- The converter offers two additional PS/2 ports e.g to connect keyboard and mouse
- Connection: 1x USB Type A Male, 2x PS/2 F

Order-No. - P.U.

|   |                   |
|---|-------------------|
| VALUE PS/2 to USB Adapter, Mouse, green     | A 12.99.1072 - 25 |
| VALUE PS/2 to USB Adapter, Keyboard, purple | B 12.99.1073 - 25 |
| VALUE USB to 2x PS/2 Adapter Cable          | C 12.99.1075 - 50 |



**ROLINE USB to IEEE1284 Converter, C36**

- For the connection of a printer with parallel port (IEEE 1284) to a PC with USB port
- USB specification revision 1.1 compliant
- Truly bi-directional communication between PC and printer
- Connection PC: USB type A Male
- Connection printer: Centronics 36-pole Male
- Bus powered
- Length: 1.8 m
- Colour: black
- Supported operating systems: Windows 2000/7/8/10, Mac OS X
- Contents: Converter cable



**roline**<sup>®</sup>  
Designed for Professionals

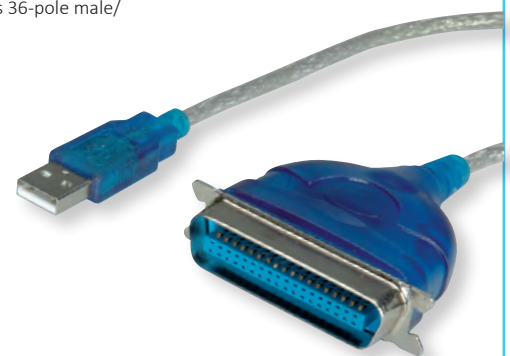
Order-No. - P.U.

|  |                 |
|--|-----------------|
| ROLINE USB to IEEE1284 Converter, C36, black, 1.8 m, 1.8 m | 12.02.1092 - 10 |
|--|-----------------|

**VALUE USB to IEEE1284 Converter Cable**

- To connect a printer with parallel interface (IEEE1284) to a PC with USB port
- Colour: turquoise (semi translucent)
- Contents: Converter cable
- Easy to install
- Power supplied by USB interface
- Connector: Centronics 36-pole male/ USB Type A Male

**Value**<sup>®</sup>



Order-No. - P.U.

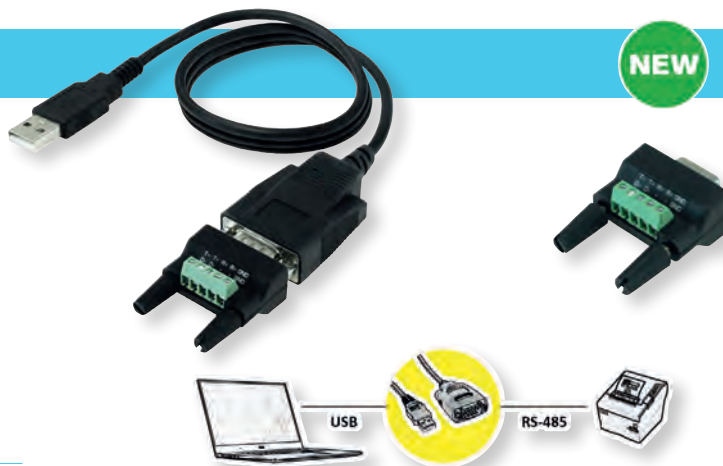
|  |                 |
|--|-----------------|
| VALUE USB to IEEE1284 Converter Cable, 1.8 m | 12.99.1150 - 10 |
|--|-----------------|

### ROLINE USB to RS-485 Converter

NEW

This converter provides an extra Serial RS-422/485 port via USB connection

- To connect serial devices (e.g. modem) to one USB port
- Can be configured to work with RS-485 peripherals
- Full compliance with the USB specification 1.1
- Supports data transfer rates of up to 921,6 kbit/s
- USB bus powered- no external power supply is needed
- Plug & play
- Supports Windows 7 / 8 /10 (32/64-bit)
- Contents: Converter, manual, DB9 Female- 5Pin Terminal block adapter



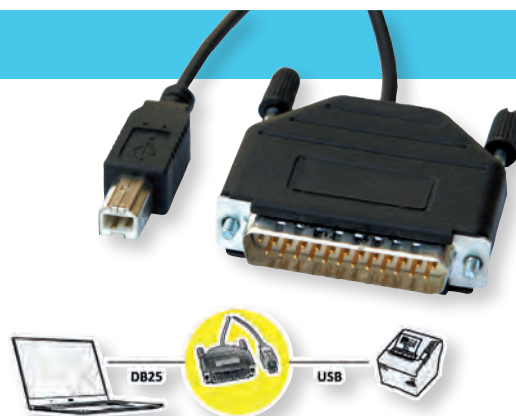
Order-No. – P.U.

ROLINE USB to RS-485 Converter

12.02.1174 – 5

### Converter Cable Parallel to USB

- To connect a printer with USB port to a PC with parallel interface (IEEE1284)
- Easy to install
- Power supplied by external power supply unit that is fixed to the converter
- Connection PC: parallel interface (IEEE1284) DB25 F
- Connection printer: USB type B
- Length: 1.8 m
- Colour: black
- Contents: Converter (cable length: 1.8 m) with moulded Power Supply Unit



Order-No. – P.U.

Converter Cable Parallel to USB, 1.8 m

12.02.1074 – 1

### VALUE USB 3.2 Gen 1 to SATA 6.0 Gbit/s Adapter

**The simple way to connect a SATA III 6.0 Gbit/s hard drive to a computer or notebook via USB 3.1 / USB 3.2 Gen 1 Type A.**

- Easy way to connect a SATA 6.0 Gbit/s hard drive to a computer or notebook via a USB 3.1 / USB 3.2 Gen 1 port.
- Suitable for type 2.5 Serial ATA HDD/SSD
- Compatible with SATA 6.0 Gbit/s
- Supports transfer rates up to 5.0 Gbps
- Connection to Computer: USB Type A
- Connection to hard disk: 15-pin SATA power + 7-pin SATA data
- Hot-swap capable, Plug & Play
- Length USB cable: 0.15 m
- Contents: Adapter, manual



Order-No. – P.U.

VALUE USB 3.2 Gen 1 to SATA 6 Gbit/s Adapter

12.99.1062 – 10

### VALUE USB3.2 Gen1 to SATA 6.0 Gbit/s Adapter

- Easy way to connect a SATA 6.0 Gbit/s hard disk to a computer or notebook over a SuperSpeed USB 3.0 port
- Suitable for type 2.5/3.5 Serial ATA HDD/SSD
- Compliant with USB 3.0, USB 2.0, USB 1.1
- Compliant with SATA 6.0 Gbit/s, SATA 3.0 Gbit/s, SATA 1.5 Gbit/s
- Supports transfer rates of up to 5.0 Gbit/s
- Connection to computer: USB 3.0
- Connection to HDD: 15-pin SATA power + 7-pin SATA data
- Hot-swappable, plug & play
- Length USB cable: 1.20 m
- Power supply included
- Supported Operating Systems: 2000/XP/Vista/7/8
- Contents: Adapter, power supply, manual



Order-No. – P.U.

VALUE USB3.2 Gen1 to SATA 6 Gbit/s Adapter, 1.2 m

12.99.1049 – 10



**ROLINE USB3.2 Gen1 to SATA 6Gbit/s Adapter**

- Easy way to connect a SATA 6.0 Gbit/s hard disk to a computer or notebook over a SuperSpeed USB 3.0 port
- Suitable for type 2.5/3.5 Serial ATA HDD/SSD
- Compliant with USB 3.0, USB 2.0, USB 1.1
- Compliant with SATA 6.0 Gbit/s, SATA 3.0 Gbit/s, SATA 1.5 Gbit/s
- Supports transfer rates of up to 5.0 Gbit/s
- Connection to computer: USB 3.0
- Connection to HDD: 15-pin SATA power + 7-pin SATA data
- Hot-swappable, plug & play
- Length USB cable: 0.15 m
- Supported Operating Systems: 2000/XP/Vista/7/8
- Contents: Adapter, manual



**roline**<sup>®</sup>  
Designed for Professionals

ROLINE USB3.2 Gen1 to SATA 6 Gbit/s Adapter, 0.15 m

Order-No. – P.U.  
12.02.1043 – 10

**VALUE USB 3.2 Gen 2 to SATA 6.0 Gbit/s Adapter**

**The simple way to connect a SATA III 6.0 Gbit/s hard drive to a computer or notebook via USB 3.1 Type C.**

- Easy way to connect a SATA 6.0 Gbit/s hard disk to a computer or notebook over a SuperSpeed USB 3.1 port
- Suitable for type 2.5/3.5 Serial ATA HDD/SSD
- Compliant with USB 3.0, USB 2.0
- Compliant with SATA 6.0 Gbit/s, SATA 3.0 Gbit/s, SATA 1.5 Gbit/s
- Supports transfer rates of up to 5.0 Gbit/s
- Connection to computer: USB 3.1
- Connection to HDD: 15-pin SATA power + 7-pin SATA data
- Additional Micro USB B connection for power supply (if needed)
- Hot-swappable, Plug & Play
- Length USB cable: 0.15 m
- Supported Operating Systems: 2000/XP/Vista/7/8/10
- Contents: Adapter, manual



**Value**<sup>®</sup>

VALUE USB 3.2 Gen 2 to SATA 6.0 Gbit/s Adapter, 1 m

Order-No. – P.U.  
12.99.1051 – 10

**VALUE Converter Cable USB Type C to Serial**

**Quick solution for the use of peripheral devices with serial interfaces (e.g. modems, digital cameras, printers) with notebooks or computers with USB interface using a USB Type C connector**

- Full compliance with USB 2.0, USB 1.1
- Data transfer rate of over 1Mbit/s
- Supports RS232 serial interface
- Supports automatic handshake mode
- Supports remote wakeup and power management
- Power Mode: Bus-powered
- Connections: 1x USB Type C, 1x DB 9-pin connector, 1x DB 25-pin connector
- Supported Operating Systems: Windows 98, 2000, XP, Vista, Win 7 / 8 / 10, Mac OS X
- Contents: Converter cable, adapter DB9 F-DB25 M

**Value**<sup>®</sup>



VALUE Converter Cable USB Type C to Serial, black, 1.8 m

Order-No. – P.U.  
12.99.1162 – 10

**ROLINE Converter Cable USB Type C to Serial**

**Quick solution for the use of peripheral devices with serial interfaces (e.g. modems, printers) with notebooks or computers with USB interface using a USB Type C connector**

- Full compliance with USB 2.0, USB 1.1
- Data transfer rate of over 1Mbit/s
- Supports RS-232 serial interface
- Supports automatic handshake mode
- Supports remote wakeup and power management
- Power Mode: Bus-powered
- Connections: 1x USB Type C, 1x DB 9-pin connector
- Supported Operating Systems: Windows 98, 2000, XP, Vista, Win 7 / 8 / 10, Mac OS X

- Contents: Converter cable, adapter DB9 F-DB25 M, driver CD



**roline**<sup>®</sup>  
Designed for Professionals



ROLINE Converter Cable USB Type C to Serial, black, 1.8 m

Order-No. – P.U.  
12.02.1164 – 10

### VALUE Converter Cable USB to Serial

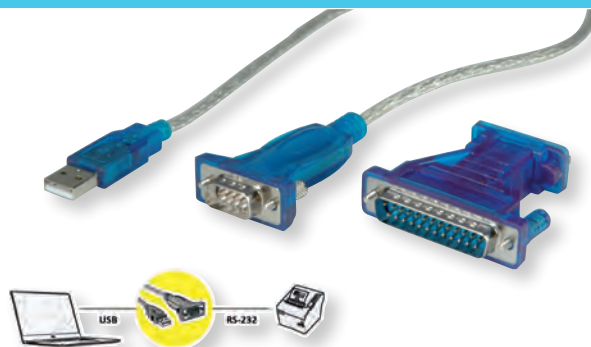
- Quick solution for the use of peripheral devices with serial interfaces (e.g. modems, digital cameras, printers) with notebooks or computers with USB interface
- Data transfer rate of over 1Mbit/s
- Connections: 1x USB Type A, 1x DB 9-pin connector
- Equivalent to the USB 1.1 specification
- Length: 1.8 m
- Contents: Converter cable, adapter DB9 F-DB25 M, driver CD

**Value**<sup>®</sup>

Order-No. – P.U.

VALUE Converter Cable USB to Serial, turquoise, 1.8 m

12.99.1160 – 10



### ROLINE Converter Cable USB to Serial

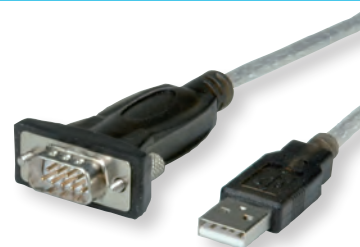
**With this converter you can easily connect peripheral devices, such as analogue and ISDN modems, digital cameras and handheld computers, which have a serial interface to an USB environment**

- Easy installation
- True plug & play
- Supports automatic handshake mode
- Supports remote wake up and power management
- Needs no interrupt (IRQ)
- Length: 1.8 m
- Supported operating systems: Windows 98SE/ME/2000/XP/7/8 /10
- Contents: Converter cable, driver CD, manual

Order-No. – P.U.

ROLINE Converter Cable USB to Serial, 1.8 m

12.02.1163 – 10



**roline**<sup>®</sup>  
Designed for Professionals

### ROLINE Converter Cable USB to RS-232+DB25

- Ideal for notebooks that nowadays only offer USB interfaces
- To connect one serial device (e. g. modem) and one parallel device (e. g. printer) to the USB port of a PC or notebook
- No external power supply needed
- Supported operating systems: Windows 2000/XP/Vista/7
- Contents: Converter, driver CD, manual

**roline**<sup>®</sup>  
Designed for Professionals

Order-No. – P.U.

ROLINE Converter Cable USB to RS-232+DB25

12.02.1017 – 20



### ROLINE Opto Bridge USB-USB

**This small, industrial - grade isolator is very easy to use and provides a high-voltage barrier protection against surges, noise and ground loop errors. Suitable for use in sensitive applications like automotive measurements.**

- Effective protection of the USB interface through galvanic isolation (opto-coupler)
  - Isolates a USB device galvanically from the USB host
  - Insulation voltage max. 5000V eff.
  - LED indicators
  - Data transfer rate: max. 12MBit/s, USB 2.0 compatible
  - Connections: USB A connector and USB A plug cable
- Optional: External power supply 19.11.1097 (500mA), e.g. for powering larger hard disks (3.5" HDDs)

Order-No. – P.U.

ROLINE Opto Bridge USB-USB

12.02.1091 – 30



**roline**<sup>®</sup>  
Designed for Professionals



NEW

ROLINE Cable Adapter RJ45 plug / USB Type C → Terminal Block Adapter, Push Button

This adapter cable can be used to extend/connect various network devices. Cables with stripped ends can be connected without tools via the terminal block with push-button.

Connections:

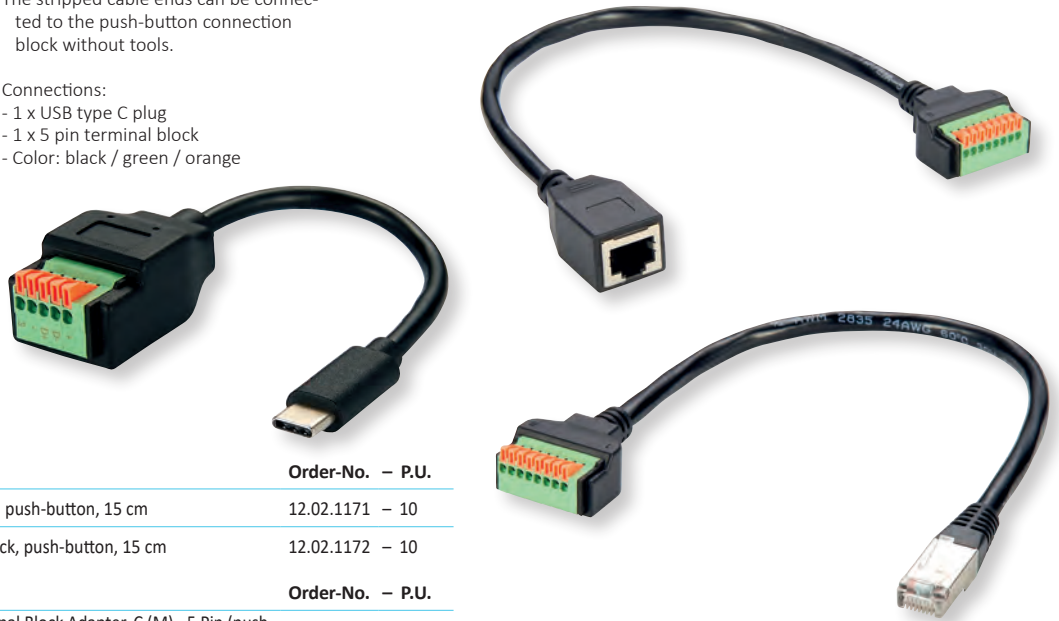
- 1 x RJ45 plug
- 1 x 8-pin terminal block
- Pin assignment: 1:1
- Shielded (STP)
- Color: black / green / orange

The USB 2.0 adapter cable can be used to connect various USB type C devices. The stripped cable ends can be connected to the push-button connection block without tools.

Connections:

- 1 x USB type C plug
- 1 x 5 pin terminal block
- Color: black / green / orange

**roline**<sup>®</sup>  
Designed for Professionals



Order-No. – P.U.

ROLINE Cable adapter RJ45 plug > terminal block, push-button, 15 cm 12.02.1171 – 10

ROLINE Cable adapter RJ45 female > terminal block, push-button, 15 cm 12.02.1172 – 10

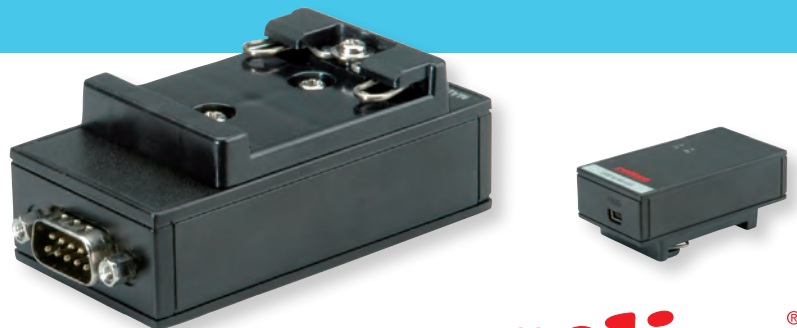
Order-No. – P.U.

ROLINE Cable adapter USB Type-C Cable to Terminal Block Adapter, C (M) - 5 Pin (push button), 15 cm 12.02.1173 – 10

ROLINE USB 2.0 to RS232 Adapter, for DIN Rail

Converter to connect serial devices to a USB port on your PC

- Compatible with USB 2.0, USB 1.1, USB 1.0
- Data transfer rate of up to 115 Kbit/s
- 15 kV ESD protection for all RS232 ports
- Connectors: 1x DB9 Male, 1x Mini USB type B
- For DIN Rail mounting
- Windows 98SE/ME/2000/Server 2003/XP/Server 2008/XP/Vista/7
- Power supply over Mini USB type B connector (40mA)
- Contents: Converter, driver CD, manual



Order-No. – P.U.

ROLINE USB 2.0 to RS232 Adapter, for DIN Rail, 1 Port 12.02.1001 – 4

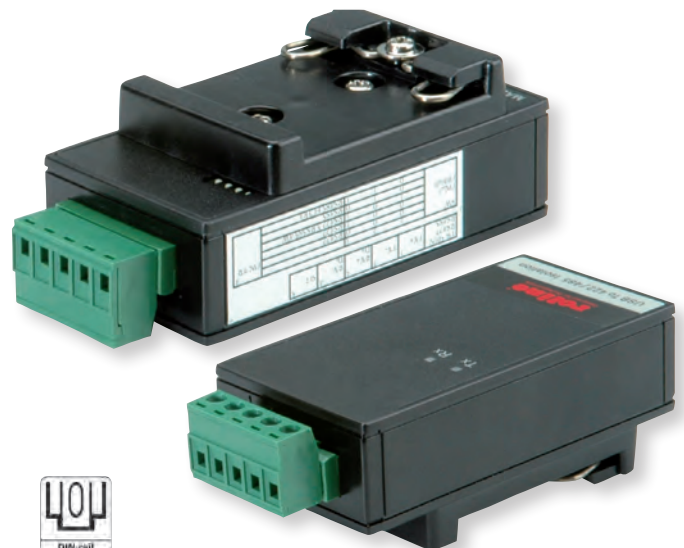
ROLINE USB 2.0 to RS232 Adapter, for DIN Rail, 4 Ports 12.02.1003 – 4



**roline**<sup>®</sup>  
Designed for Professionals

ROLINE USB 2.0 to RS422/485 Adapter, with Isolation, for DIN Rail

- Converter to connect serial devices to a USB port on your PC
- Mode: Asynchronous serial communication
- Compatible with USB 2.0, USB 1.1, USB 1.0
- Isolation 3000 VDC (optical)
- Connectors: 5-pin terminal block, 1x Mini USB type B
- Data transfer rate of up to 115 Kbit/s
- Terminal resistance and Echo mode
- DIP switches for terminal settings
- Signals: TX+, TX-, RX+, RX-, SGND
- Protection: 15 KV ESD protection for all signals, RS-422/485 signals surge protection
- Status LEDs
- For DIN rail mounting
- Power supply over Mini USB type B connector (54 mA)
- Windows 98SE/ME/2000/Server 2003/XP/Server 2008/XP/Vista/7
- Contents: Converter, USB cable, driver CD, manual



Order-No. – P.U.

ROLINE USB 2.0 to RS422/485 Adapter, with Isolation, for DIN Rail 12.02.1004 – 4



**roline**<sup>®</sup>  
Designed for Professionals



### Converter RS232-RS485, without or with Galvanic Isolation

- DCE/DTE adjustable
- Full duplex transfer over 4 lines
- Only the data lines are converted
- 25 pin socket on the RS232 side
- Power supply via mains adapter
- Robust plastic casing
- Contents: converter, power supply unit (9V DC, 300mA), manual



#### Technical data:

|                     |                           |
|---------------------|---------------------------|
| RS-232 connection:  | D-Sub 25-pin F            |
| RS-485 connection:  | Terminal block (4 clamps) |
| Data transfer rate: | Up to ca. 100 Kbit/s      |
| Transfer distance:  | Up to ca. 1 km            |
| Power supply:       | DC 9V, 200mA              |
| Weight:             | 60 g                      |
| Dimensions (WxDxH): | 74.5 x 54 x 18.5 mm       |

#### Order-No. – P.U.

Converter RS232-RS485, without Galvanic Isolation

12.02.1028 – 20

Converter RS232-RS485, with Galvanic Isolation

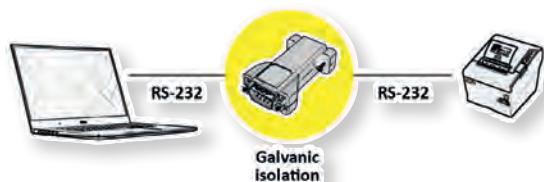
12.02.1029 – 10

**roline**  
Designed for Professionals

### VALUE RS232 Optical Coupler

To connect serial devices to a RS232 port on your PC with electrical isolation

- Data transfer rate of up to 56.25 kbit/s
- 2.5 kV ESD protection for RS232 ports
- With galvanic isolation
- Easy to connect, no configuration, no power supply
- Connectors: 1x DB9 Male, 1x DB9 Female
- Contents: Coupler, manual



#### Order-No. – P.U.

VALUE RS232 Optical Coupler

12.99.1016 – 30

**Value**

### ROLINE Converter RS232 to RS422/485, with Isolation, for DIN Rail

- Converts RS232 signals to RS-422 or RS-485
- Fully compliant with PC serial COM ports
- Isolation 3000 VDC (optical)
- Connectors: RS232: DB9 Female, RS-422/485: 7-pin terminal block
- Auto toggling by hardware
- Data transfer rate of up to 115.2 Kbit/s
- Terminal resistance and Echo mode
- DIP switches for terminal settings
- Signals: TXD, RXD, RTS, CTS, GND for RS232
- Protection: 15 KV ESD protection for all signals, RS-422/485 signals surge protection
- Status LEDs
- For DIN rail mounting
- DC power supply 10~30 V (built-in surge protector)
- Hardware solution, no software required

Environmental Limits:  
Operating Temperature: -30° ~ 75°C  
Storage Temperature: -40° ~ 85°C  
Ambient Relative Humidity: 5 ~ 95%  
Non-Condensing

- Contents: converter, manual



#### Order-No. – P.U.

ROLINE Converter RS232 to RS422/485, with Isolation, for DIN Rail

12.02.1005 – 4

ROLINE RS232 to RS-422/485 Converter, Din Rail, self powered

12.02.1008 – 4

**roline**  
Designed for Professionals



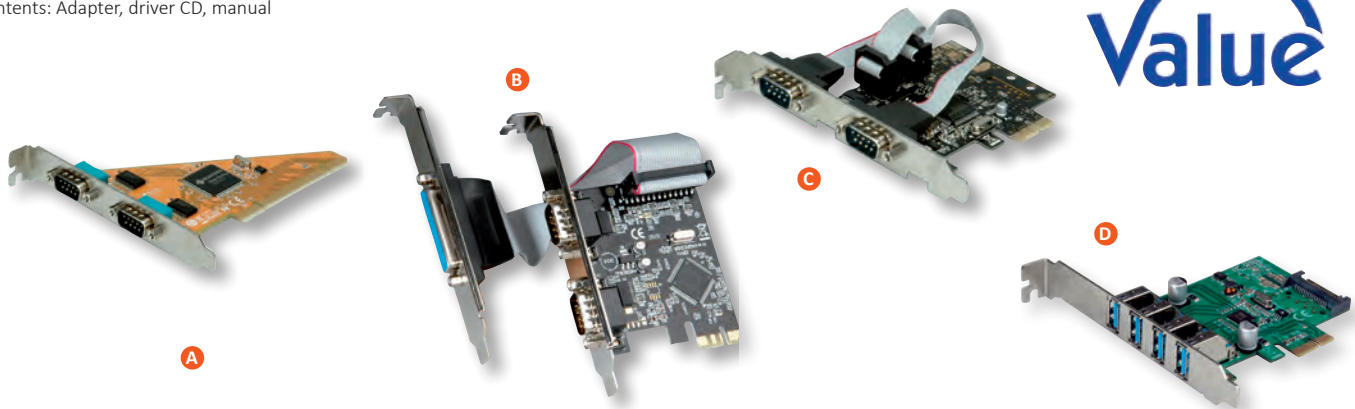
## Peripheral Devices

|   |             |
|---|-------------|
| I/O Cards . . . . .                     | 4.02 – 4.04 |
| Card Readers . . . . .                  | 4.05        |
| HDD Docking Station . . . . .           | 4.05        |
| HDD Enclosures . . . . .                | 4.06 – 4.07 |
| Mouses . . . . .                        | 4.08        |
| Mospads . . . . .                       | 4.08        |
| Mounting Material . . . . .             | 4.08        |
| 19" Industrial Server Chassis . . . . . | 4.09 – 4.10 |

## VALUE I/O Cards

Upgrade your PC with additional interfaces like e.g. USB 3.2 Gen1 , Serial ATA and EPP/ECP parallel resp. RS232 serial ports.

- PCI adapters
- PCI-Express adapters
- Contents: Adapter, driver CD, manual

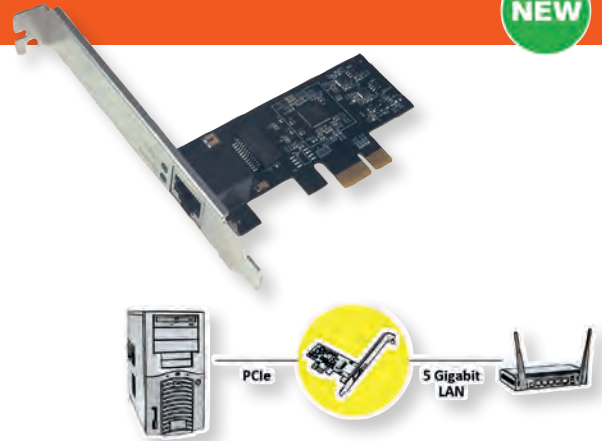


|  | Picture | Interfaces         | Connectors          | Card type      | Order-No.  | - P.U. |
|--|---------|--------------------|---------------------|----------------|------------|--------|
| VALUE PCI Adapter, 2x Serial RS232, D-Sub 9 Port                               | A       | COM 1-256          | 2x DB9 M external   | PCI            | 15.99.2086 | - 20   |
| VALUE PCI-Express Adapter, 2x Serial RS232 D-Sub 9 + 1x Parallel EPP/ECP Ports | B       | COM 1-256, LPT 1-3 | 2x DB9 M/1x DB25 F  | PCI-Express x1 | 15.99.2116 | - 10   |
| VALUE PCI-Express Adapter, 2x Serial RS232 D-Sub 9 Ports                       | C       | COM 1-256          | 2x DB9 M            | PCI-Express x1 | 15.99.2118 | - 10   |
| VALUE PCI-Express Adapter, 4x USB3.2 Gen1, 5 Gbit/s                            | D       | USB 3.0            | 4x USB 3.0 Type A F | PCI-Express x1 | 15.99.2117 | - 5    |

## VALUE PCIe 5GbE Multi Speed - Gigabit Network Adapter

NEW

- High performance PCIe Ethernet adapter which provides single RJ-45 port for network connection of data rate up to 5Gbit/s
- The PCIe Gen3 x1 interface enables running at maximum full duplex throughput
- Backward compatible with Gen1/2 PCIe slots
- PCIe Gen3 x1 form factor
- Supports standard and low profile systems
- Supports 5-speed 5G/2.5G/1G/100M/10Mbps auto negotiation
- Runs 5Gbps on Cat.6 cable up to 100m
- Supports Wake-On-LAN (WoL)
- Up to 16KB jumbo frame
- Checksum and TSO Offload-Page 4
- Network ARP and NS offload
- Supports PXE boot
- Systems Requirements: Windows 11/10 (32/64 Bit)
- Contents: PCI Adapter, manual



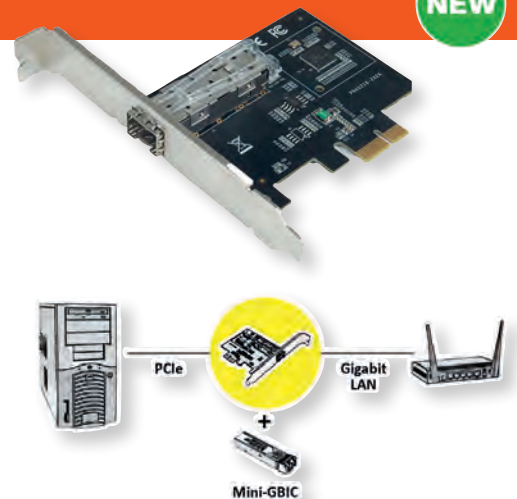
Order-No. - P.U.

VALUE PCIe 5GbE Multi Speed - Gigabit Network Adapter 15.99.2187 - 5

## VALUE PCIe Gigabit SFP Network Adapter (without Mini GBIC/SFP)

NEW

- PCIe 1G SFP Network Adapter is a cost-effective solution
- Delivers fast and reliable 1 Gbit/s network access at longer distances than copper-based networks
- Using SFP transceiver you can connect your PCI Express-based server or workstation directly to your 1G fiber optic network.
- Supports common 1G SFP optical and Direct Attached Copper modules
- EEE (Energy Efficient Ethernet) / Up to 9.5K Jumbo Frames
- IP, TCP and UDP checksum offloading (IPv4, IPv6) capabilities
- Designed to meet PCI Express Specification Revision 2.1
- One lane (x1) PCI Express compatible with x4, x8 and x16 PCI Express slots
- IEEE 802.1Q Tagged VLAN
- Supports Preboot eXecution Environment (PXE)
- Requirements
- Minimum hardware system specifications are recommended
- PCIe slot: Available 1-Lane PCI-Express slot Gen 2.0 or later
- Processor: Quad Core 3.0GHz or higher
- RAM: 4GB memory or higher
- Software Operating systems supported (32/64 bits)
- Windows 7/8.x/10/11
- Windows Server 2008 R2/2012 R2/2016/2019/2022
- Contents: PCI Adapter, manual
- REMARK: Suitable for SFP modules (21.99.3500 / 21.99.3499)



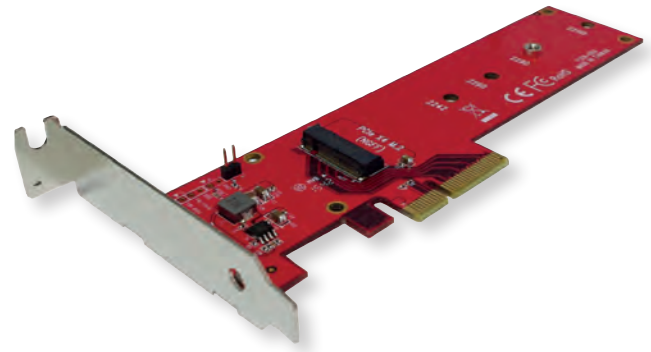
Order-No. - P.U.

VALUE PCIe Gigabit SFP Network Adapter 15.99.2188 - 5



## ROLINE PCIe 3.0 x4 3.3V5A Host Adapter for PCIe-NVMe M.2 110mm SSD

- PCIe 3.0 x4 NVMe and PCIe-AHCI M.2 SSD work in main board PCIe x4 bus slot
- PCI Express 3.0 x4 Lane Host adapter
- Supports PCIe Gen3 and PCIe Gen2 M.2 NGFF 110mm, 80mm, 60mm, 42mm SSD
- M.2 NGFF type 22110-D5-M connector on board
- Movable M.2 NGFF stand-off and multiple plated-holes supports type 22110, 2280, 2260 and 2242 SSD
- Supports PCIe 3.0, PCIe 2.0 motherboard
- Supports dual-sided SSD module 1.5mm component height on the top and bottom side
- Compliant with PCI Express 3.0
- Pin header on board for drive LED connection
- Low Profile PCIe Form Factor
- Low Profile PCIe bracket on board and Regular size bracket included
- Transparent to the operating system and no board driver required
- Operating system: Windows 10, Win8.1, Windows Server 2012 R2
- Supports M.2 PCIe SSD High Power 3.3V5A
- Contents: Adapter, driver CD, manual



Order-No. – P.U.

ROLINE PCIe 3.0 x4 3.3V5A Host Adapter for PCIe-NVMe M.2 110mm SSD

15.06.2196 – 10

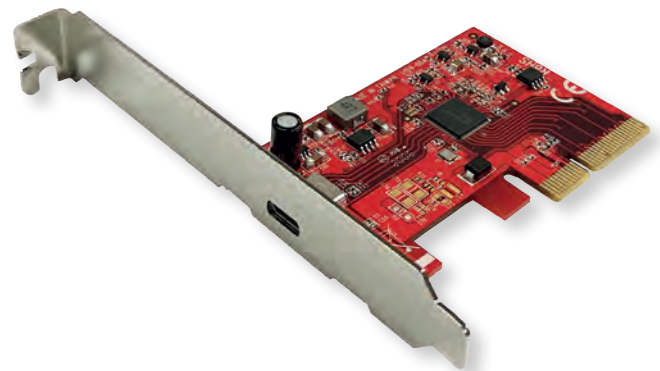
**roline**<sup>®</sup>  
Designed for Professionals

## ROLINE PCI-Express Adapter, 1x Port Type C USB 3.2 Gen 2x2

### Expand your PC with one USB 3.2 Gen 2x2 port

- USB 3.2 Gen 2x2 PCIe x4 Lane Host Adapter
- USB 3.2 Gen 2x2 offers data transfer rates of up to 20 Gbit/s
- Connectors: 1x Type C downstream connector on board
- Compliant with Universal Serial Bus 3.2 Specification Revision 1.0
- Supports 5V3A USB bus power USB 3.1 Type C port
- Supports PCIe 3.0 motherboard
- Low profile PCI form factor
- Plug & Play
- Require an empty PCIe 3.0 slot in computer for USB3.2 Gen 2x2 full performance
- Supports Windows 10 / 32/64-bit
- Contents: Adapter, low profile bracket, manual

Note: According to the current specifications of USB.org we have adapted the technical data of our USB 3 products. The new designation for the already known USB specifications has been changed to USB 3.2 Gen 1 (formerly USB 3.0 / USB 3.1 Gen 1) and USB 3.2 Gen 2 (formerly USB 3.1 / USB 3.1 Gen 2).



Order-No. – P.U.

ROLINE PCI-Express Adapter, 1x Port Type C USB 3.2 Gen 2x2

15.06.2195 – 10

**roline**<sup>®</sup>  
Designed for Professionals

## ROLINE PCI-Express x4 Adapter, USB 3.2 Gen2, 2 Ports, 1x USB A + 1x USB C

Expand your PC with two SuperSpeed+ USB 3.1 ports.

- PCIe x4 Lane Host Adapter with USB3.1 PCIe Gen3 x2 fast chipset
- USB 3.1 Type C 1x and Type A 1x downstream receptacle ports
- USB bus power USB-C port 5V3A and USB-A 5V2A
- Compliant with Universal Serial Bus 3.1 Specification Revision 1.0
- Compliant with Intel eXtensible Host Controller Interface (xHCI) Specification 1.1
- Compliant with USB Attached SCSI Protocol Specification 1.0
- Support USB3.1, USB3.0, USB2.0 and USB1.1 devices
- Compliant with PCI Express Specification 3.0
- Low Profile PCIe Form Factor
- Regular size PCIe bracket on board and Low Profile PCIe Bracket included
- Require an empty PCIe 2.0 or PCIe 3.0 x4 or x8 or x16 slot in computer for USB3.1 full

Note: According to the current specifications of USB.org we have adapted the technical data of our USB 3 products. The new designation for the already known USB specifications has been changed to USB 3.2 Gen 1 (formerly USB 3.0 / USB 3.1 Gen 1) and USB 3.2 Gen 2 (formerly USB 3.1 / USB 3.1 Gen 2).

- Contents: Adapter, low profile bracket, driver CD, manual

Order-No. – P.U.

ROLINE PCI-Express x4 Adapter, USB 3.2 Gen2, 2 Ports, 1x USB A + 1x USB C

15.06.2142 – 10

**roline**<sup>®</sup>  
Designed for Professionals



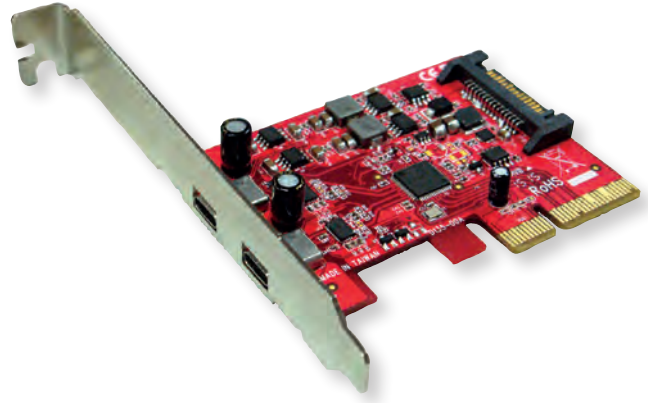
## ROLINE PCI-Express x4 Adapter, 2x Ports Type C USB 3.2 Gen 2

Expand your PC with two SuperSpeed+ USB 3.1 ports. (2x Type C)

- USB3.1 PCIe x4 Lane Host Adapter
- USB 3.1 offers Super Speed+ data transfer rates of up to 10 Gbit/s
- Connectors: 2x USB 3.1 Type C downstream connectors on board
- Compliant with Universal Serial Bus 3.1 Specification Revision 1.0
- Compliant with Intel eXtensible Host Controller Interface (xHCI) Specification 1.0
- Compliant with USB Attached SCSI Protocol Specification 1.0
- Compliant with PCI Express Specification 3.0
- Supports 5V3A USB bus power each USB 3.1 Type C port
- Supports PCIe 1.0 and PCIe 2.0 and PCIe 3.0 motherboard
- Support USB3.1, USB3.0, USB2.0 and USB1.1 devices
- Low profile PCI form factor (additional low profile PCI bracket included)
- Built-in 15-pin SATA power connector for the power supply of the USB ports
- Require an empty PCIe 2.0 or PCIe 3.0 x4 or x8 or x16 slot in computer for USB3.1 full

Note: According to the current specifications of USB.org we have adapted the technical data of our USB 3 products. The new designation for the already known USB specifications has been changed to USB 3.2 Gen 1 (formerly USB 3.0 / USB 3.1 Gen 1) and USB 3.2 Gen 2 (formerly USB 3.1 / USB 3.1 Gen 2).

- Contents: Adapter, low profile bracket, driver CD, manual



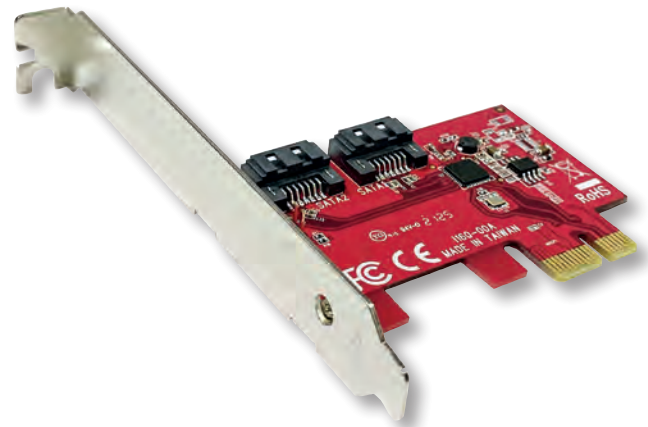
**roline**<sup>®</sup>  
Designed for Professionals

Order-No. – P.U.

ROLINE PCI-Express x4 Adapter, 2x Ports Type C USB 3.2 Gen 2 15.06.2143 – 10

## ROLINE PCIe x1 SATA III 6Gbps AHCI 2Port Low Profile Host Adapter

- Easy installation- 2Ports 6Gbps AHCI SATA III PCIe Gen2 x1 Host Adapter
- Compliant with PCI Express 2.0
- Fully compliant with Serial ATA specifications 3.0
- Supports SATA III transfer rate up to 6.0Gbps
- Supports SATA HDD, SSD, Optical Drive and Blu-Ray Drive
- Supports ATA and ATAPI commands
- Supports Native Command Queuing (NCQ)
- SATA Hot-plug capability
- Low Profile PCIe Form Factor
- Regular size PCIe bracket on board and an additional Low Profile bracket included
- Contents: Adapter, low profile bracket, driver CD, manual



**roline**<sup>®</sup>  
Designed for Professionals

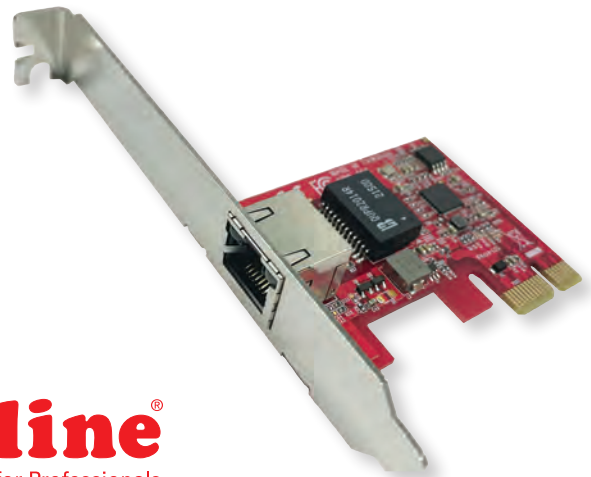
Order-No. – P.U.

ROLINE PCIe x1 SATA III 6Gbps AHCI 2Port Low Profile Host Adapter 15.06.2148 – 10

## ROLINE 2.5 GbE BASE-T Ethernet Low Profile PCIe Adapter

NEW

- Fully compliant with 10BASE-T<sub>e</sub>, 100BASE-T<sub>X</sub>, 1000BASE-T and 2500BASE-T 802.3 specifications
- Compliant with PCI Express Gen 2 version 3.1
- 2.5G Ethernet Controller
- Low Profile PCI Form Factor
- Regular size PCIe bracket on board and an additional Low Profile bracket included
- RJ-45 Port offer high speed transmission over CAT 5 UTP cable
- 2 LEDs indicate for various network activities (2500 and LNK/ACT)
- IEEE 802.3u auto-negotiation conformance
- Carrier extension support (half duplex)
- Half duplex operation at 10BASE-T<sub>e</sub> and 100BASE-T<sub>X</sub>
- Automatic polarity correction
- Network proxy/ARP offload
- PXE Support
- Error Correcting Memory (ECC) in packet buffers
- UDP and TCP Transmit Segmentation Offload (TSO)
- SCTP receive and transmit integrity offload
- Queues: 4 Tx and 4 Rx queues
- Jumbo Frame sizes 9K bytes
- Supports WOL
- Contents: Adapter, low profile bracket, driver CD, manual



**roline**<sup>®</sup>  
Designed for Professionals

Order-No. – P.U.

ROLINE 2.5 GbE BASE-T Ethernet Low Profile PCIe Adapter 15.06.2146 – 10

## ROLINE USB 3.2 Gen 1 Multi Card Reader, external

The external Multi Card Reader reads all important and common formats and offers the highest possible compatibility.

- Supports SuperSpeed USB 3.0, compliant with USB 2.0, USB 1.1
- Card Reader works with multiple media, as e.g. CF (Compact Flash) Card I/II, SD (Secure Digital) Card, SDHC, SDXC, MMC (MultiMedia Card), MS (Memory Stick), MS Pro, MS Duo, microSD and many variants
- Supports Extended Capacity SD memory cards (SDXC)
- No adapter required for Micro SD/M2 Cards
- Supported Operating Systems: Windows 2000/XP/Vista/7/8/10, Mac OS X
- Contents Card reader, USB 3.0 cable



**roline**<sup>®</sup>  
Designed for Professionals

Order-No. – P.U.

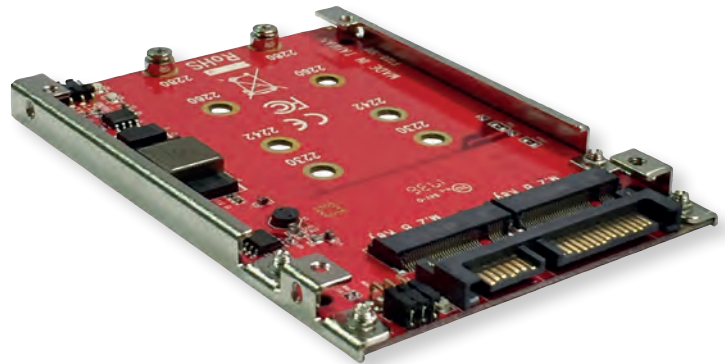
ROLINE USB 3.2 Gen 1 Multi Card Reader, external

15.08.6248 – 10

## ROLINE M.2 to SATA III SSD H/W adapter, 2x M.2 NGFF SSD, bootable and RAID-capable

**2.5-inch H/W adapter for the installation of two M. 2 SSDs (NGFF), bootable and RAID-compatible and with 6Gbit/s SATA connection!**

- Supports two M. 2 NGFF SSDs with form factor 2230, 2242, 2260 and 2280
- M.2 NGFF SATA SSDs can be primary boot device and contain operating system and applications.
- RAID 0 and RAID 1 configurable via hardware or software; configuration on the hardware side via 6 pins with jumper (jumper table on the back of the board)
- The 2.5 inch H/W adapter can be installed in a 2.5" housing and is therefore perfectly suited for mobile use.
- No drivers required
- Contents: HDD adapter



**roline**<sup>®</sup>  
Designed for Professionals

Order-No. – P.U.

ROLINE M.2 to SATA III SSD H/W adapter, 2x M.2 NGFF SSD, bootable /RAID-capable

16.01.4145 – 10

## ROLINE 2.5 + 3.5 SATA HDD Docking Station, USB3.0, HD Copy-Function

- Easy way to connect a SATA 6.0 Gbit/s hard disk to a computer or notebook over a SuperSpeed USB 3.0 port
- 2 SATA- HD can be copied directly, without Software
- Suitable for type 2.5/3.5 Serial ATA HDD/SSD (up to 4TB capacity)
- Compliant with USB 3.0, USB 2.0, USB 1.1
- Compliant with SATA 6.0 Gbit/s, SATA 3.0 Gbit/s, SATA 1.5 Gbit/s
- Supports transfer rates of up to 5.0 Gbit/s
- Connection to computer: USB 3.0
- Connection to HDD: 15-pin SATA power + 7-pin SATA data
- Hot-swappable, plug & play
- Length USB cable: 1 m
- Power supply included
- Supported Operating Systems: Windows Vista / 7 / 8 / (32 / 64-bit) / 10 / Mac OS X
- Contents: HDD Docking station, USB cable, power supply, manual

Note: According to the current specifications of USB.org we have adapted the technical data of our USB 3 products. The new designation for the already known USB specifications has been changed to USB 3.2 Gen 1 (formerly USB 3.0 / USB 3.1 Gen 1) and USB 3.2 Gen 2 (formerly USB 3.1 / USB 3.1 Gen 2).



**roline**<sup>®</sup>  
Designed for Professionals

Order-No. – P.U.

ROLINE 2.5 + 3.5 SATA HDD Docking Station, USB3.0, HD Copy-Function

16.01.4122 – 5



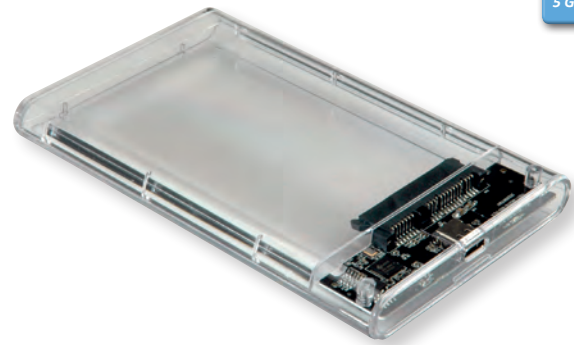
## VALUE External Type 2.5 SATA 6.0 Gbit/s HDD/SSD Enclosure with USB 3.2 Gen 1 Type C

### Transparent empty housing for 2.5" SSDs/HDDs, for connection via USB 3.1 / USB 3.2 Gen 2 Type C

- Portable Drive Enclosure with USB Type C connector
- Input Interface: SATA 6Gbit/s
- Output Interface: USB Type C
- Compatible: 2.5 SATA HDD/SSD
- Compliant with SuperSpeed USB 3.1 specification with data transfer rates of up to 5 Gbit/s
- Supports 2.5" HDD/SSDs with SATA connection and height up to 9.5 mm
- Color: dark transparent
- Plug & play
- Housing: plastic
- Contents: HDD Enclosure, manual

Note: According to the current specifications of USB.org we have adapted the technical data of our USB 3 products.

The new designation for the already known USB specifications has been changed to USB 3.2 Gen 1 (formerly USB 3.0 / USB 3.1 Gen 1) and USB 3.2 Gen 2 (formerly USB 3.1 / USB 3.1 Gen 2).



5 Gbit/s

Order-No. – P.U.

VALUE External Type 2.5 SATA 6.0Gbit/s HDD/SSD Enclosure with USB 3.1 Gen 1 Type C

16.99.4214 – 10

## VALUE External Type M.2 NVMe SSD Enclosure with USB 3.2 Gen 2 Type C

### Extra narrow empty housing made of matt aluminium for M.2 SSDs, for connection via USB 3.1 / USB 3.2 Gen 2 Type C

- Empty housing for M.2 SSDs with USB Type C connector
- External interface: USB type C
- Compatible with USB 3.1 / USB 3.2 Gen 2 with data transfer rates up to 10 Gbps
- Supports M.2 SSDs 2242, 2260, 2280
- Suitable M- keyed M.2 NVMe SSD
- Matt, silver aluminium housing

Note: According to the current specifications of USB.org we have adapted the technical data of our USB 3 products. The new designation for the already known USB specifications has been changed to USB 3.2 Gen 1 (formerly USB 3.0 / USB 3.1 Gen 1) and USB 3.2 Gen 2 (formerly USB 3.1 / USB 3.1 Gen 2).

- Contents: M.2 SSD Enclosure, manual, USB Type C cable



10Gbit/s

Order-No. – P.U.

VALUE External Type M.2 NVMe SSD Enclosure with USB 3.2 Gen 2 Type C

16.99.4132 – 5

## VALUE External Type M.2 NVMe SSD Enclosure with USB 3.2 Gen 2x2 Type C

NEW

### Extra narrow empty housing made of matt aluminium for M.2 SSDs, for connection via USB 3.1 / USB 3.2 Gen 2 Type C

- Empty housing for M.2 SSDs with USB Type C connector
- External interface: USB type C
- Compatible with USB 3.1 / USB 3.2 Gen 2 with data transfer rates up to 20 Gbps
- Supports M.2 SSDs 2242, 2260, 2280 (M key)
- Suitable M- keyed M.2 NVMe SSD
- Matt, silver aluminium housing

Note: According to the current specifications of USB.org we have adapted the technical data of our USB 3 products. The new designation for the already known USB specifications has been changed to USB 3.2 Gen 1 (formerly USB 3.0 / USB 3.1 Gen 1) and USB 3.2 Gen 2 (formerly USB 3.1 / USB 3.1 Gen 2).

- Contents: M.2 SSD Enclosure, manual, USB Type C cable



20Gbit/s

Order-No. – P.U.

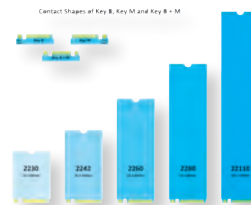
VALUE External Type M.2 NVMe SSD Enclosure with USB 3.2 Gen 2x2 Type C

16.99.4133 – 5

## ROLINE External Type M.2 NVMe SSD Enclosure with USB 3.2 Gen 2 Type C

Extra narrow empty housing made of matt aluminium for M.2 SSDs, for connection via USB 3.1 / USB 3.2 Gen 2 Type C

- Make your PCI-e Based M-Key M.2 NVMe SSD portable for data store or data transfer via USB C Port on your computer
- Supports PCIe Gen3 M.2 80mm, 60mm, 42mm NVMe SSD
- M.2 NGFF type 2280-D5-M M Key socket on board
- Supports dual-sided SSD module 1.5mm maximum component height on the top and bottom side
- Compliant with NVMe Express 1.3
- Compliant with USB 3.1 Gen.1 / 2 specification
- Compliant with USB Attached SCSI Protocol (UASP) Specification (Rev. 4)
- Supports USB2.0/USB 3.1 Gen1/ Gen2 power saving mode
- Data transmission: up to 10 Gbit/s
- PCBA and NVMe SSD powered by USB3.1 Type-C bus 5V
- **REMARK Note: aluminum case only with PCBA, WITHOUT NVMe M.2 SSD inside**
- Content: 1x enclosure, 1x USB C cable (M/M), screws



10Gbit/s

**roline**<sup>®</sup>  
Designed for Professionals

Order-No. – P.U.

ROLINE External Type M.2 NVMe SSD Enclosure with USB 3.2 Gen 2 Type C 16.01.4148 – 10

## ROLINE External Type M.2 NVMe SSD Enclosure with USB 3.2 Gen 2x2 Type C

Empty housing made of matt aluminium for M.2 SSDs, for connection via USB 3.1 / USB 3.2 Gen 2 Type C

- Empty housing for M.2 SSDs with USB Type C connector
- External interface: USB type C
- **Compatible with USB 3.1 / USB 3.2 Gen 2x2 with data transfer rates up to 20 Gbps**
- Supports M.2 SSDs 2230, 2242, 2260, 2280 (M key)
- Matt, silver aluminium housing
- Contents: M.2 SSD Enclosure, manual, USB Type C cable

Note: According to the current specifications of USB.org we have adapted the technical data of our USB 3 products. The new designation for the already known USB specifications has been changed to USB 3.2 Gen 1 (formerly USB 3.0 / USB 3.1 Gen 1) and USB 3.2 Gen 2 (formerly USB 3.1 / USB 3.1 Gen 2).

- **REMARK: the shown M.2 NVMe SSD is not included in the scope of delivery**



20Gbit/s

**roline**<sup>®</sup>  
Designed for Professionals

Order-No. – P.U.

ROLINE External Type M.2 NVMe SSD Enclosure with USB 3.2 Gen 2x2 Type C 16.01.4147 – 10

## ROLINE External Type M.2 NVMe SSD Enclosure with USB 3.2 Gen 3x2 Type C

NEW

Empty housing made of matt aluminium for M.2 SSDs, for connection via USB 3.1 / USB 3.2 Gen 2 Type C

- Empty housing for M.2 SSDs with USB Type C connector
- External interface: USB type C
- **Compatible with USB 3.1 / USB 3.2 Gen 2x2 with data transfer rates up to 40 Gbps**
- Supports M.2 SSDs 2230, 2242, 2260, 2280 (M key)
- Matt, silver aluminium housing
- Contents: M.2 SSD Enclosure, manual, USB Type C cable

Note: According to the current specifications of USB.org we have adapted the technical data of our USB 3 products. The new designation for the already known USB specifications has been changed to USB 3.2 Gen 1 (formerly USB 3.0 / USB 3.1 Gen 1) and USB 3.2 Gen 2 (formerly USB 3.1 / USB 3.1 Gen 2).

- **REMARK:**  
- the shown M.2 NVMe SSD is not included in the scope of delivery



40Gbit/s

**roline**<sup>®</sup>  
Designed for Professionals

Order-No. – P.U.

ROLINE External Type M.2 NVMe SSD Enclosure with USB 3.2 Gen 3x2 Type C 16.01.4149 – 10

### ROLINE Mouse, optical, USB

- Super high sensitive 1600/1200/800 cpi (switchable)
- USB connector
- Surface: Red rubber coating
- Suitable for right and left-handed users
- Supported Operating Systems: Windows 2000/XP/Vista/7/10
- Contents: Mouse

**roline**<sup>®</sup>  
Designed for Professionals



Order-No. – P.U.

ROLINE Mouse, optical, cordless, USB, red/black

B 18.01.1087 – 10

### ROLINE Notebook Combo Mousepad (280x160x1mm)



**Perfect fit between most Macbooks, Ultrabooks, Notebooks/Laptops - suitable for cleaning your display/device, as a mousepad and to protect the Notebook keyboard from dirt and dust!**

- Designed for professional gamers and office environments
- Provides excellent gliding of the mouse
- Natural rubber base for maximum grip on any surface
- Excellent performance for laser and optical mice
- Material: Surface: high performance textile surface / Base: nature rubber
- Colour: Black

**roline**<sup>®</sup>  
Designed for Professionals



Order-No. – P.U.

ROLINE Notebook Combo Mousepad (280x160x1mm), black

18.01.2049 – 20

### HDD Mounting Adapter Type 3.5/2.5

#### 16.01.3031:

- This hard disk mounting adapter serves for installation of type 2.5 hard disks into a free type 3.5 slot
- For installation of type 2.5 hard disks in a type 3.5 slot
- Nickel plated
- Contents: 2 brackets, screws

#### 16.01.3028:

- This hard disk mounting adapter serves for installation of type 3.5 hard disks into a free type 5.25 slot
- Nickel plated
- Contents: 2 brackets, screws

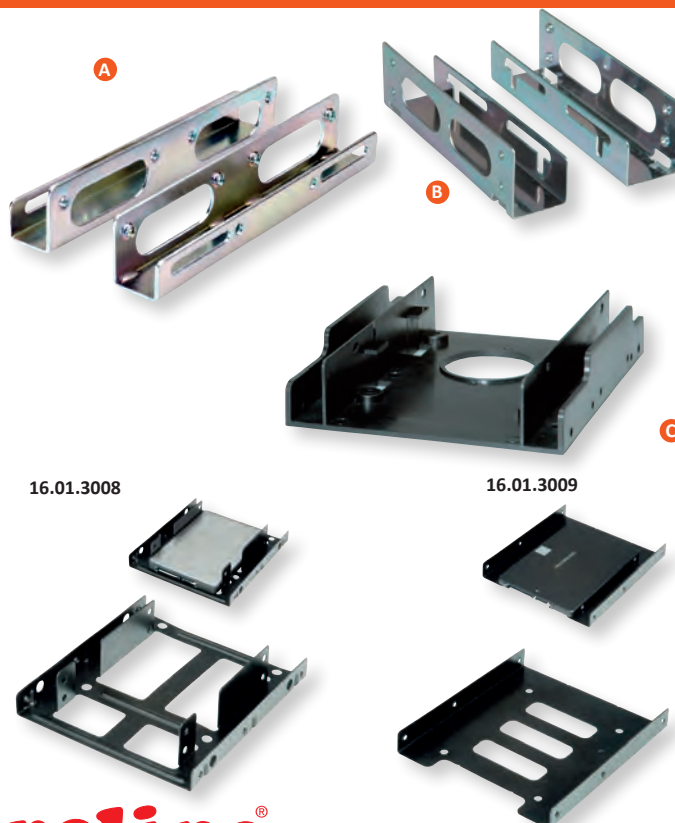
#### 16.01.3007:

- For the installation of up to two type 2.5 HDDs into any type 3.5 drive bay of a computer case
- Solid plastic, black
- Screws included

#### 16.01.3008/16.01.3009:

- For installation of 2.5 inch HDDs/SSDs in a 3.5 inch mounting bay
- Sturdy, black metal frame
- Mounting screws included in scope of delivery
- Contents: Frame, Mounting Screws

**REMARK: HDD/SSD are not included**



Order-No. – P.U.

HDD Mounting Adapter Type 3.5/2.5

A 16.01.3031 – 25

HDD Mounting Adapter, Type 3.5/5.25

B 16.01.3028 – 50

HDD Mounting Adapter Type 3.5 for 2x Type 2.5 HDDs, black

C 16.01.3007 – 20

Order-No. – P.U.

HDD/SSD Mounting Adapter, 3.5 inch frame for 2x 2.5 inch HDD/SSD, metal

16.01.3008 – 25

HDD/SSD Mounting Adapter, 3.5 inch frame for 1x 2.5 inch HDD/SSD, metal

16.01.3009 – 25

**roline**<sup>®</sup>  
Designed for Professionals



## VALUE 19" Industrial Rack-Mount Server Chassis, 1UH

 DATA CENTER  
Product

- Versatile 1U 19" industrial PC housing
- Rugged construction and design for harsh industrial environment
- Supports ITX motherboard
- Max Mainboard Size: 170 x 170 mm
- 4 x 4 cm ball bearing fan on the front for a better ventilation
- Space for optional 1x 3.5 or 2x 2.5 HDD
- Space for installation of an FLEX-ATX power supply (not included in delivery)
- Buttons: Controls Power-Button / Reset-Button
- LED: Power / HDD Activity / Network Activity / Overheating Alert / Power Failure
- Front connectors: 1x USB2.0, 1x USB3.0
- Color: Black
- Contents: Casing, screws




Order-No. – P.U.

VALUE 19" Industrial Rack-Mount Server Chassis, 1UH, black

19.99.0115 – 1

## VALUE 19" Industrial Rack-Mount Server Chassis, 2UH, short

Classic, versatile 19-inch housing with one height unit (2U) for harsh industrial environments

- Versatile 2U 19" industrial
- Rugged construction and design for harsh industrial environments
- Supports Mini ITX,  $\mu$ ATX- motherboard
- Maximum dimensions of the motherboard: 260mm x 260mm
- 2x 60mm fans at the front for better ventilation
- Space for either 1x 3.5 or 1x 5.25 HDD
- Space for the installation of a FLEX-ATX power supply (not included)
- Controls: Power button / Reset button
- LED: power supply / hard disk activity
- Front connector: 2x USB2.0
- Colour: Black




Order-No. – P.U.

VALUE 19" Industrial Rack-Mount Server Chassis, 2UH, short

19.99.0118 – 1

## VALUE 19" Industrial Rack-Mount Server Chassis, 2UH, long

Classic, versatile 19-inch housing with one height unit (2U) for harsh industrial environments

- Versatile 2U 19" industrial
- Rugged construction and design for harsh industrial environments
- Installation depth: 290mm
- Supports MiniITX, mITX,  $\mu$ ATX et ATX- motherboard, max. 305x290mm
- Three 40x40mm fans at the front for better ventilation
- Space for either 1x 3.5 or 2x 2.5 HDD
- Space for the installation of a FLEX-ATX power supply (not included)
- Controls: Power button / Reset button
- LED: power supply / hard disk activity / network activity / overheating alarm / power failure
- Front connector: 2x USB2.0
- Colour: Black




Order-No. – P.U.

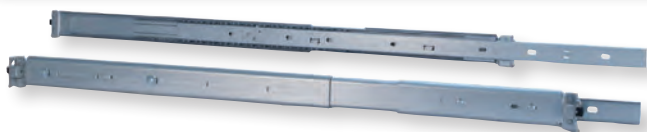
VALUE 19" Industrial Rack-Mount Server Chassis, 2UH, long

19.99.0119 – 1

## VALUE 19" Industrial Rack-Mount Server Chassis, 4UH

DATA CENTER  
Product

- Versatile 4U 19" industrial PC housing
- Rugged construction and design for harsh industrial environment
- 4UH rack with a long installation depth (650mm)
- Supports ATX / (eATX) / Baby AT motherboard
- Max Mainboard Size: 305 x 345 mm (12" x 13.5")
- Provides enough space for HDD disks (up to 11x 3.5" HDDs)
- Mounting rails for screw less installation of internal 3.5" and external 5.25" drives (included)
- Seven fans are preinstalled, which allows an optimal cooling of the installed hardware (5x 120x120mm; 2x 80x80mm)
- Embedded dust filter, which can be removed for cleaning, is located behind the lockable front door and prevents both removable HDD cages from dust
- 2x front USB ports (1x USB 2.0 and 1x USB 3.0)
- Space for installation of an ATX power supply (not included in delivery)
- Contents: Casing, keys, screw set, mounting frame for mini redundant power supply, wrench for assembly of the spacer, mounting rails for 5.25" and 3.5" drives



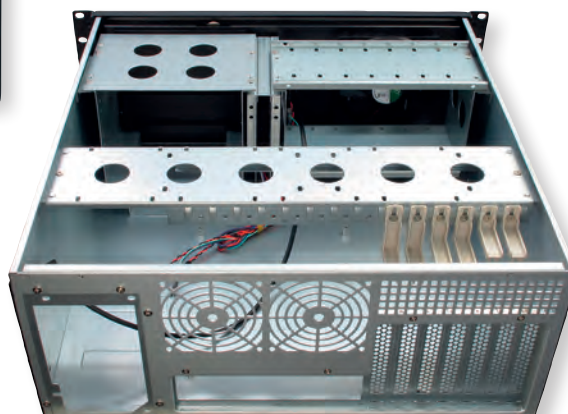
Order-No. – P.U.

|   |                |
|---|----------------|
| VALUE 19" Industrial Rack-Mount Server Chassis, 4UH, black                        | 19.99.0103 – 1 |
| VALUE Telescopic rails for VALUE Industrial Rack-Mount Server Chassis, 19.99.0103 | 19.99.0117 – 1 |

## VALUE 19" Industrial Rack-Mount Server Chassis, 4UH

DATA CENTER  
Product

- Versatile 4U 19" industrial PC housing
- Rugged construction and design for harsh industrial environment
- Supports ATX/Baby AT motherboard
- Hold-Down clamp design to protect plug-in cards from vibration
- Shock resistant drive bracket exposed
- A lockable front door for dust-proof integrity and running security
- 12x12 cm ball bearing fan with replaceable air filter on the front for a better ventilation, rear space for the installation of two fans à 80x80 mm
- Space for installation of an ATX power supply (not included in delivery)
- Max Mainboard Size: 305x270 mm (12" x 10,6")
- Color: Black
- Optional accessories: Telescope rail 19.99.0114
- Contents: Casing, screws



## Technical Data:

|                     |                        |
|---------------------|------------------------|
| Type 5.25 slots:    | 3                      |
| Type 3.5 slots:     | 8x int. (HDD).         |
| Dimensions (WxLxH): | 178 x 480 x 485/530*mm |
| Weight:             | 10 kg                  |
| Connectors front:   | 2x USB 2.0             |
| Fan front:          | 120 mm                 |

\*) with holder

Order-No. – P.U.

|   |                |
|---|----------------|
| VALUE 19" Industrial Rack-Mount Server Chassis STD, black                   | 19.99.0104 – 1 |
| VALUE Telescopic rails for VALUE Ind. Rack-Mount Server Chassis, 510-820 mm | 19.99.0114 – 1 |



## Mobile Computing

|  |             |
|--|-------------|
| Fast- / Gigabit Ethernet Converter / Hub . . . . . | 5.02        |
| Sync- & Charging Adapters . . . . .                | 5.03        |
| Docking Stations Overview . . . . .                | 5.04 – 5.07 |
| Docking Stations . . . . .                         | 5.08 – 5.16 |
| Stand / Holder for Tablet. . . . .                 | 5.17        |
| Wireless Charging . . . . .                        | 5.19        |
| USB Charger . . . . .                              | 5.20        |
| Charging Station. . . . .                          | 5.20        |
| Security Locks. . . . .                            | 5.20        |



## VALUE / ROLINE USB to Fast / Gigabit Ethernet Converter

These converters are a cost effective solution to convert a USB port into a Fast- or Gigabit Ethernet port

- Easy installation- just plug the converter into the USB port, connect the LAN cable- done!
- Bus Powered- no external power supply required
- Supports 10/100/1000 Mbit/s auto-sensing capability in Gigabit Ethernet
- Supports both full-duplex and half-duplex operation in Gigabit Ethernet

Value®

roline®  
Designed for Professionals

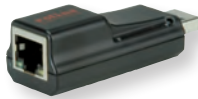
Ethernet continues to be the most used network interface as the standard evolves to meet the massive data bandwidth requirements of different markets.

Due to the upward trend in data traffic, new Ethernet rates have been developed to alleviate the traffic bottlenecks created by the data explosion, therefore the 2.5 Gigabit Ethernet standard was designed to bridge the copper-twisted-pair gap between Gigabit Ethernet and 10 Gigabit Ethernet.

12.99.1119



12.02.1106



12.99.1118



12.99.1107

12.02.1100



12.99.1116



12.02.1112



12.02.1109



12.99.1115



12.02.1108



12.02.1110



12.02.1111



2.5 Gbit/s - 12.99.1130 / 1134 / 1135



2.5 Gbit/s - 12.02.1103



| Brand  | Description                                       | USB Compliant | Network Connection          | USB Type | Color  | Supported OS                  | Hub Function | Item Number | PU  |
|--------|---|---------------|-----------------------------|----------|--------|-------------------------------|--------------|-------------|-----|
| VALUE  | USB to Fast Ethernet Converter                    | USB 2.0       | Fast Ethernet               | A        | black  | Win XP / 7 / 8 / 10, Mac OS X | —            | 12.99.1107  | -10 |
| VALUE  | USB to Gigabit Ethernet Converter                 | USB 3.2 Gen 1 | Gigabit Ethernet            | A        | black  | Win XP / 7 / 8 / 10, Mac OS X | —            | 12.99.1119  | -10 |
| VALUE  | USB to Gigabit Ethernet Converter                 | USB 3.2 Gen 2 | Gigabit Ethernet            | C        | black  | Win XP / 7 / 8 / 10, Mac OS X | —            | 12.99.1115  | -10 |
| VALUE  | USB to Gigabit Ethernet Converter + 1x PD ((100W) | USB 3.2 Gen 2 | Gigabit Ethernet            | C        | black  | Win XP / 7 / 8 / 10, Mac OS X | —            | 12.99.1118  | -5  |
| VALUE  | USB to Gigabit Ethernet Converter + 3x Hub        | USB 3.2 Gen 1 | Gigabit Ethernet            | A        | black  | Win XP / 7 / 8 / 10, Mac OS X | 3x USB A     | 12.99.1116  | -10 |
| VALUE  | USB to 2.5 Gigabit Ethernet Adapter               | USB 3.2 Gen 2 | <b>2.5 Gigabit Ethernet</b> | A        | silver | Win XP / 7 / 8 / 10, Mac OS X | —            | 12.99.1130  | -5  |
| VALUE  | USB to 2.5 Gigabit Ethernet Adapter               | USB 3.2 Gen 2 | <b>2.5 Gigabit Ethernet</b> | A        | black  | Win XP / 7 / 8 / 10, Mac OS X | —            | 12.99.1134  | -10 |
| VALUE  | USB to 2.5 Gigabit Ethernet Adapter               | USB 3.2 Gen 2 | <b>2.5 Gigabit Ethernet</b> | C        | black  | Win XP / 7 / 8 / 10, Mac OS X | —            | 12.99.1135  | -10 |
| ROLINE | USB to Gigabit Ethernet Converter                 | USB 3.2 Gen 1 | Gigabit Ethernet            | A        | black  | Win XP / 7 / 8 / 10, Mac OS X | —            | 12.02.1106  | -10 |
| ROLINE | USB to Gigabit Ethernet Converter + 3x Hub        | USB 3.2 Gen 1 | Gigabit Ethernet            | A        | black  | Win XP / 7 / 8 / 10, Mac OS X | 3x USB A     | 12.02.1112  | -10 |
| ROLINE | USB to Gigabit Ethernet Converter + 3x Hub        | USB 3.2 Gen 1 | Gigabit Ethernet            | C        | black  | Win XP / 7 / 8 / 10, Mac OS X | 3x USB A     | 12.02.1108  | -10 |
| ROLINE | USB to Gigabit Ethernet Converter                 | USB 3.2 Gen 2 | Gigabit Ethernet            | C        | white  | Win XP / 7 / 8 / 10, Mac OS X | —            | 12.02.1109  | -10 |
| ROLINE | USB to Gigabit Ethernet Converter, +1x PD         | USB 3.2 Gen 2 | Gigabit Ethernet            | C        | white  | Win XP / 7 / 8 / 10, Mac OS X | —            | 12.02.1100  | -10 |
| ROLINE | USB to Gigabit Ethernet Converter                 | USB 3.2 Gen 2 | Gigabit Ethernet            | C        | silver | Win XP / 7 / 8 / 10, Mac OS X | —            | 12.02.1110  | -10 |
| ROLINE | GOLD USB to Gigabit Ethernet Converter            | USB 3.2 Gen 2 | Gigabit Ethernet            | C        | golden | Win XP / 7 / 8 / 10, Mac OS X | —            | 12.02.1111  | -10 |
| ROLINE | USB to 2.5 Gigabit Ethernet Adapter               | USB 3.2 Gen 2 | <b>2.5 Gigabit Ethernet</b> | C        | black  | Win XP / 7 / 8 / 10, Mac OS X | —            | 12.02.1103  | -5  |

VALUE / ROLINE USB Adapters

Use these adapters/cableadapters to easily connect your smartphone or tablet with USB Micro B with a charger or other suitable devices, like MacBooks, Ultrabooks, Notebooks/Laptops or PCs

**Note:** According to the current specifications of USB.org we have adapted the technical data of our USB 3 products. The new designation for the already known USB specifications has been changed to USB 3.2 Gen 1 (formerly USB 3.0 / USB 3.1 Gen 1) and USB 3.2 Gen 2 (formerly USB 3.1 / USB 3.1 Gen 2).

• Colour: black /white

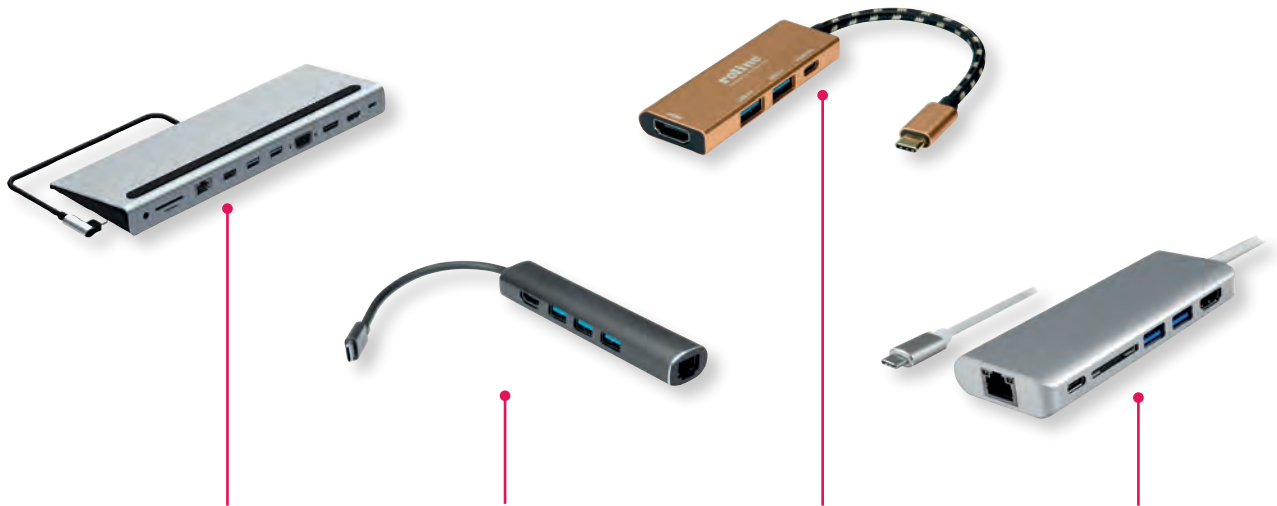


**roline**  
Designed for Professionals

**Value**



| Brand  | Order-No. – P.U. | Adapter / Cableadapter | Compliant     | Type             | Connector | Functionality | Length | Color |
|--------|------------------|------------------------|---------------|------------------|-----------|---------------|--------|-------|
| VALUE  | 12.99.3192 – 25  | Adapter                | USB 2.0       | Micro B - C      | M/F       |               | –      | black |
| ROLINE | 12.03.2995 – 10  | Adapter                | USB 3.2 Gen 1 | A - C            | M/F       |               | –      | black |
| VALUE  | 12.99.3191 – 25  | Adapter                | USB 2.0       | C - Micro B      | M/F       |               | –      | black |
| VALUE  | 12.99.2997 – 20  | Gender Changer         | USB 3.2 Gen 1 | A - A            | F/F       |               | –      | black |
| VALUE  | 12.99.9030 – 25  | Adapter                | USB 3.2 Gen 1 | C - A            | M/F       | OTG           | –      | black |
| VALUE  | 12.99.2996 – 25  | Adapter                | USB 3.2 Gen 2 | C - C            | M/F, 90°  |               | –      | black |
| ROLINE | 12.03.2996 – 10  | Adapter                | USB 3.2 Gen 2 | C - C            | M/F, 90°  |               | –      | white |
| VALUE  | 12.99.2998 – 10  | Adapter                | USB 3.2 Gen 1 | A - C            | M/F       |               | –      | black |
| ROLINE | 12.03.2997 – 10  | Adapter                | USB 3.2 Gen 1 | A - C            | F/M       |               | –      | black |
| VALUE  | 12.99.3190 – 10  | Adapter                | USB 2.0       | C - Micro B      | M/F       | OTG           | –      | black |
| VALUE  | 11.99.9030 – 25  | Cableadapter           | USB 3.2 Gen 1 | C - A            | M/F       | OTG           | 0.15 m | black |
| ROLINE | 11.02.9030 – 10  | Cable                  | USB 3.2 Gen 1 | C - A            | M/F       | OTG           | 0.15 m | black |
| ROLINE | 11.02.9031 – 10  | Cableadapter           | USB           | C - A            | M/F       | OTG           | 0.15 m | black |
| ROLINE | 11.02.9015 – 10  | Cable                  | USB 3.2 Gen 2 | C - C            | M/F       |               | 0.15 m | black |
| ROLINE | 11.02.9005 – 20  | Cable                  | USB 3.2 Gen 1 | C - Micro B      | M/M       |               | 0.5 m  | black |
| ROLINE | 11.02.9006 – 10  | Cable                  | USB 3.2 Gen 1 | C - Micro B      | M/M       |               | 1 m    | black |
| VALUE  | 12.99.2995 – 25  | Adapter                | USB 2.0       | A - C            | M/F       |               | –      | black |
| ROLINE | 12.03.2945 – 10  | Adapter                | USB 3.2 Gen 2 | 2x C - 2x C      | M/F       |               | –      | black |
| ROLINE | 12.03.2946 – 10  | Adapter                | USB 3.2 Gen 2 | 2x C - 1x C+1x A | M/F       |               | –      | black |
| ROLINE | 12.03.2947 – 10  | Adapter                | USB 3.2 Gen 2 | 2x C - 2x A      | M/F       |               | –      | black |



| Item#                          | 12.99.1117       | 12.99.1043 | 12.02.1119  | 12.02.1037    |
|--------------------------------|------------------|------------|-------------|---------------|
| Brand                          | VALUE            | VALUE      | ROLINE GOLD | ROLINE        |
| <b>USB Hub / No. of Ports</b>  |                  |            |             |               |
| USB 2.0 (480 Mbit/s)           | 1x               | —          | —           | —             |
| USB 3.2 Gen1 (5 Gbit/s)        | 2x               | 3x         | 2x          | 2x            |
| USB 3.2 Gen2 (10 Gbit/s)       | —                | —          | —           | —             |
| <b>USB Type C port</b>         |                  |            |             |               |
| Data                           | No               | —          | 1x 5 Gbit/s | 1x 480 Mbit/s |
| PD                             | 1x               | —          | 1x          | 1x            |
| USB-C Charging (yes/no)        | yes              | —          | yes         | yes           |
| <b>Audio</b>                   |                  |            |             |               |
| Audio                          | 1x               | —          | —           | —             |
| <b>Card Reader</b>             |                  |            |             |               |
| SD                             | 1x               | —          | —           | 1x            |
| Micro SD                       | 1x               | —          | —           | —             |
| <b>Video Ports</b>             |                  |            |             |               |
| VGA / max. resolution          | 1                | —          | —           | —             |
| 1920 x 1080 @ 60Hz             | yes              | —          | —           | —             |
| HDMI / max. resolution         | 1                | 1          | 1           | 1             |
| 3840 x 2160 @ 30Hz             | yes              | yes        | yes         | yes           |
| 3840 x 2160 @ 60Hz             | —                | —          | —           | yes           |
| 7680 x 4320 @ 30Hz             | —                | —          | —           | —             |
| 7680 x 4320 @ 60Hz             | —                | —          | —           | —             |
| DP / max. resolution           | 1x               | —          | —           | —             |
| 3840 x 2160 @ 30Hz             | yes              | —          | —           | —             |
| 7680 x 4320 @ 30Hz             | —                | —          | —           | —             |
| 7680 x 4320 @ 60Hz             | —                | —          | —           | —             |
| Mini DP / max. resolution      | —                | —          | —           | —             |
| DVI / max. resolution          | —                | —          | —           | —             |
| MST (Multi Stream)             | yes              | —          | —           | —             |
| SST (Single Stream)            | yes              | —          | —           | —             |
| <b>Ethernet (RJ45)</b>         |                  |            |             |               |
| Fast Ethernet                  | —                | —          | —           | —             |
| Gigabit Ethernet               | 1x               | 1x         | —           | 1x            |
| <b>Power Delivery (Type C)</b> |                  |            |             |               |
| max. Power                     | 1x / 100 W       | —          | 1x / 60W    | 1x / 60W      |
| Connection to Host             | Type C           | Type C     | Type C      | Type C        |
| Technical Special Features     | detachable cable | —          | —           | —             |
| Page                           | 5.11             | 5.08       | 5.13        | 5.11          |

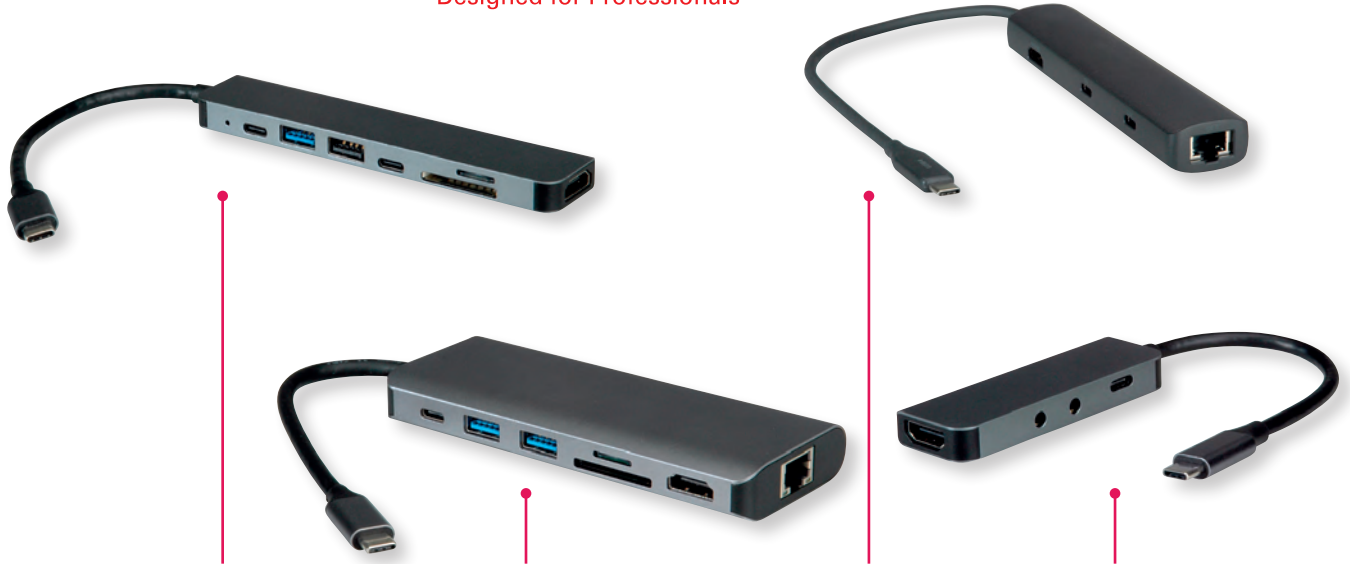




| Item#                             | 12.99.1042  | 12.02.1022  | 12.02.1121   | 12.02.1120  |
|-----------------------------------|-------------|-------------|--------------|-------------|
| Brand                             | VALUE       | ROLINE      | ROLINE       | ROLINE GOLD |
| <b>USB Hub / No. of Ports</b>     |             |             |              |             |
| USB 2.0 (480 Mbit/s)              | —           | —           | —            | —           |
| USB 3.2 Gen1 (5 Gbit/s)           | 2x          | 2x          | —            | 2x          |
| USB 3.2 Gen2 (10 Gbit/s)          | —           | —           | 2x           | —           |
| <b>USB Type C port</b>            |             |             |              |             |
| Data                              | 1x 5 Gbit/s | 1x 5 Gbit/s | 1x 10 Gbit/s | —           |
| PD                                | 1x          | 1x          | 1x           | 1x          |
| USB-C Charging (yes/no)           | yes         | yes         | yes          | yes         |
| <b>Audio</b>                      |             |             |              |             |
| Audio                             | —           | —           | —            | —           |
| <b>Card Reader</b>                |             |             |              |             |
| SD                                | —           | 1x          | —            | —           |
| Micro SD                          | —           | 1x          | —            | —           |
| <b>Video Ports</b>                |             |             |              |             |
| VGA / max. resolution             | —           | 1           | —            | —           |
| 1920 x 1080 @ 60Hz                | —           | yes         | —            | —           |
| HDMI / max. resolution            | 1           | 1           | 1            | 1           |
| 3840 x 2160 @ 30Hz                | yes         | yes         | yes          | yes         |
| 3840 x 2160 @ 60Hz                | —           | yes         | —            | —           |
| 7680 x 4320 @ 30Hz                | —           | —           | —            | —           |
| 7680 x 4320 @ 60Hz                | —           | —           | —            | —           |
| DP / max. resolution              | —           | —           | —            | —           |
| 3840 x 2160 @ 30Hz                | —           | —           | —            | —           |
| 7680 x 4320 @ 30Hz                | —           | —           | —            | —           |
| 7680 x 4320 @ 60Hz                | —           | —           | —            | —           |
| Mini DP / max. resolution         | —           | —           | —            | —           |
| DVI / max. resolution             | —           | —           | —            | —           |
| MST (Multi Stream)                | —           | No          | —            | —           |
| SST (Single Stream)               | —           | yes         | —            | yes         |
| <b>Ethernet (RJ45)</b>            |             |             |              |             |
| Fast Ethernet                     | —           | —           | —            | —           |
| Gigabit Ethernet                  | —           | 1x          | 1x           | —           |
| <b>Power Delivery (Type C)</b>    |             |             |              |             |
| max. Power                        | 1x / 60 W   | 1x / 100 W  | 1x / 100 W   | 1x / 60 W   |
| Connection to Host                | Type C      | Type C      | Type C       | Type C      |
| <b>Technical Special Features</b> |             |             |              |             |
| Page                              | 5.08        | 5.12        | 5.12         | 5.13        |



| Item#                             | 12.99.1136 | 12.99.1137  | 12.99.1138       | 12.99.1139  |
|-----------------------------------|------------|-------------|------------------|-------------|
| Brand                             | VALUE      | VALUE       | VALUE            | VALUE       |
| <b>USB Hub / No. of Ports</b>     |            |             |                  |             |
| USB 2.0 (480 Mbit/s)              | 1x         | —           | —                | —           |
| USB 3.2 Gen1 (5 Gbit/s)           | 1x         | 1x          | 3x               | 2x          |
| USB 3.2 Gen2 (10 Gbit/s)          | —          | —           | —                | —           |
| <b>USB Type C port</b>            |            |             |                  |             |
| Data                              |            | 1x 5 Gbit/s | 1x 5 Gbit/s      | 1x 5 Gbit/s |
| PD                                | 1x         | 1x          | 1x               | 1x          |
| USB-C Charging (yes/no)           | yes        | yes         | yes              | yes         |
| <b>Audio</b>                      |            |             |                  |             |
| Audio                             | —          | —           | yes              | —           |
| <b>Card Reader</b>                |            |             |                  |             |
| SD                                | 1x         | —           | 1x               | —           |
| Micro SD                          | 1x         | —           | 1x               | —           |
| <b>Video Ports</b>                |            |             |                  |             |
| VGA / max. resolution             | —          | —           | —                | —           |
| 1920 x 1080 @ 60Hz                |            |             |                  |             |
| HDMI / max. resolution            | 1          | 1           | 1                | 1           |
| 3840 x 2160 @ 30Hz                | —          | —           | —                | —           |
| 3840 x 2160 @ 60Hz                | yes        | yes         | yes              | yes         |
| 7680 x 4320 @ 30Hz                | —          | —           | —                | —           |
| 7680 x 4320 @ 60Hz                | —          | —           | —                | —           |
| DP / max. resolution              | —          | —           | —                | 1           |
| 3840 x 2160 @ 30Hz                | —          | —           | —                | —           |
| 7680 x 4320 @ 30Hz                | —          | —           | —                | —           |
| 7680 x 4320 @ 60Hz                | —          | —           | —                | —           |
| Mini DP / max. resolution         | —          | —           | —                | —           |
| DVI / max. resolution             | —          | —           | —                | —           |
| MST (Multi Stream)                | —          | —           | —                | yes         |
| SST (Single Stream)               | yes        | yes         | yes              | yes         |
| <b>Ethernet (RJ45)</b>            |            |             |                  |             |
| Fast Ethernet                     | —          | —           | —                | —           |
| Gigabit Ethernet                  | —          | —           | 1x               | 1x          |
| <b>Power Delivery (Type C)</b>    |            |             |                  |             |
| max. Power                        | 1x / 100W  | 1x / 60W    | 1x / 100W        | 1x / 100W   |
|                                   | Type C     | Type C      | Type C           | Type C      |
| Connection to Host                |            |             | detachable cable |             |
| <b>Technical Special Features</b> |            |             |                  |             |
| Page                              | 5.09       | 5.09        | 5.10             | 5.10        |



| Item#                          | 12.02.1122                                 | 12.02.1123 | 12.02.1124     | 12.02.1125       |
|--------------------------------|--|------------|----------------|------------------|
| Brand                          | ROLINE                                     | ROLINE     | ROLINE         | ROLINE           |
| <b>USB Hub / No. of Ports</b>  |  |            |                |                  |
| USB 2.0 (480 Mbit/s)           | 1x   | —          | —              | —                |
| USB 3.2 Gen1 (5 Gbit/s)        | 1x   | 2x         | 2x             | —                |
| USB 3.2 Gen2 (10 Gbit/s)       | —  | —          | 1x             | —                |
| <b>USB Type C port</b>         |  |            |                |                  |
| Data                           | 1x 5 Gbit/s                                | —          | 1x 10 Gbit/s   | —                |
| PD                             | 1x   | 1x         | 1x             | —                |
| USB-C Charging (yes/no)        | yes  | yes        | yes            | —                |
| <b>Audio</b>                   |  |            |                |                  |
|                                | —  | —          | —              | 2x (Mic/Headset) |
| <b>Card Reader</b>             |  |            |                |                  |
| SD                             | 1x   | 1x         | —              | —                |
| Micro SD                       | 1x   | 1x         | —              | —                |
| <b>Video Ports</b>             |  |            |                |                  |
| VGA / max. resolution          | —  | —          | —              | —                |
| 1920 x 1080 @ 60Hz             | —  | —          | —              | —                |
| HDMI / max. resolution         | 1  | 1          | 1              | 1                |
| 3840 x 2160 @ 30Hz             | —  | —          | —              | —                |
| 3840 x 2160 @ 60Hz             | yes  | —          | —              | yes              |
| 7680 x 4320 @ 30Hz             | —  | yes        | —              | —                |
| 7680 x 4320 @ 60Hz             | —  | —          | yes            | —                |
| DP / max. resolution           | —  | —          | —              | —                |
| 3840 x 2160 @ 30Hz             | —  | —          | —              | —                |
| 7680 x 4320 @ 30Hz             | —  | —          | —              | —                |
| 7680 x 4320 @ 60Hz             | —  | —          | —              | —                |
| Mini DP / max. resolution      | —  | —          | —              | —                |
| DVI / max. resolution          | —  | —          | —              | —                |
| MST (Multi Stream)             | —  | —          | —              | —                |
| SST (Single Stream)            | yes  | yes        | yes            | yes              |
| <b>Ethernet (RJ45)</b>         |  |            |                |                  |
| Fast Ethernet                  | —  | —          | —              | —                |
| Gigabit Ethernet               | 1x   | 1x         | 1x 2.5 GbE     | —                |
| <b>Power Delivery (Type C)</b> |  |            |                |                  |
| max. Power                     | 1x / 60W                                   | 1x / 60W   | 1x / 100W      | 1x / 60W         |
| Connection to Host             | Type C                                     | Type C     | Type C / USB 4 | Type C           |
| Technical Special Features     | 2.5 GbEthernet / 40 Gbit/s Host connection |            |                |                  |
| Page                           | 5.14                                       | 5.14       | 5.15           | 5.15             |



## VALUE Dockingstation Type C, 1x HDMI 4K, 3x A USB 3.2 Gen 1, Gigabit Ethernet

The docking station is supplied for Macbooks, Ultrabooks or Notebooks/Laptops and provides a quick and easy connection to the workplace peripherals that you use every day, including one HDMI connector, that allows you a maximum resolution of up to 3840x2160 @30Hz!

- Plug & Play
- Aluminium casing
- Small, compact design
- System requirement: Windows 7/8/10 or MacOS X10.2 and higher

### Connection to device:

- 1x USB 3.1 / USB 3.2 Gen 2 Type C M

### Connection for peripheral devices

- 1x HDMI Video Output: Mirror or extend your screen to a TV, monitor or projector.
- 3x USB 3.0 / USB 3.2 Gen 1 ports (data transfer rate up to 5Gbit/s), for connection of wired keyboard/mouse, USB HDD/SSD, etc.
- 1x SD/TF Card Reader
- 1x USB Type C PD (Power Delivery) + Data
- 1x RJ45 for Gigabit Ethernet

Note: According to the current specifications of USB.org we have adapted the technical data of our USB 3 products. The new designation for the already known USB specifications has been changed to USB 3.2 Gen 1 (formerly USB 3.0 / USB 3.1 Gen 1) and USB 3.2 Gen 2 (formerly USB 3.1 / USB 3.1 Gen 2).

- Contents: Docking Station, manual




Order-No. – P.U.

VALUE USB Type C Docking Station, 4K HDMI, 3x USB 3.2 Gen 1,  
Gigabit Ethernet

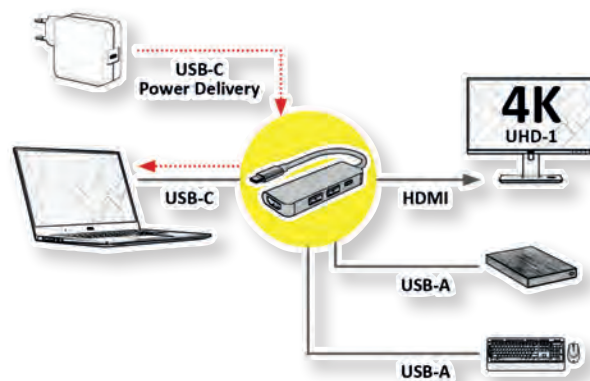
12.99.1043 – 5

## VALUE Dockingstation Type C, 1x HDMI 4K, 2x USB 3.2 Gen 1 A F, 1x Type C (Power Delivery)

Connect your Macbook, Ultrabook, Notebook/Laptop or PC with USB Type C interface to an HDMI display or projector (with a maximum resolution of up to 3840x2160 @30Hz) and another device, e.g. an external harddisk, to the additional USB Type A Port, while charging your device simultaneously over the Type C PD port!

- USB Type C to HDMI cableadapter for MacBook, Ultrabook, Notebook/Laptop or PC
- Connect your device with USB Type C port to any HDMI display or projector
- This adapter allows you to mirror or extend your display to your HDMI-enabled TV or display
- Maximum resolution: 3840x2160 @30Hz
- Portable design
- No power adapter required
- USB Type C PD: Power Delivery Function for charging of devices via the additional Type C connection
- Connectors:  
HDMI Female and Type C Male; additionally, 2x USB3.2 Gen1 A F and 1x USB Type C F
- Cable length: ca. 10 cm

Note: According to the current specifications of USB.org we have adapted the technical data of our USB 3 products. The new designation for the already known USB specifications has been changed to USB 3.2 Gen 1 (formerly USB 3.0 / USB 3.1 Gen 1) and USB 3.2 Gen 2 (formerly USB 3.1 / USB 3.1 Gen 2).





Order-No. – P.U.

VALUE Dockingstation Type C, 1x HDMI, 2x USB 3.2 Gen 1 A F, 1x  
Type C (Power Delivery)

12.99.1042 – 10

**VALUE Dockingstation Type C, 1x 4K60 HDMI, 1xC + 3xA US3.2Gen1, 1x C (PD), 1x SD, 1x RJ45, 1x 3.5mm Audio**

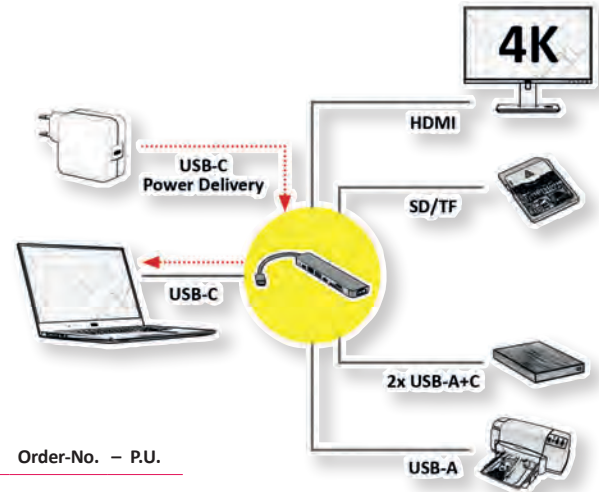


**Connect your Macbook, Ultrabook, Notebook/Laptop or PC with USB Type C interface to an HDMI display or projector (with a maximum resolution of up to 3840x2160 @60Hz) and another device, e.g. an external harddisk, to the additional USB Type A Port, while charging your device simultaneously over the Type C PD port!**

- USB 3.1 Type C to HDMI cableadapter for MacBook, Ultrabook, Notebook/Laptop or PC
- Connect your device with USB Type C port to any HDMI display or projector
- This adapter allows you to mirror or extend your display to your HDMI-enabled TV or display
- Maximum resolution: 3840x2160 @60Hz
- Portable design
- No power adapter required
- USB Type C PD: Power Delivery Function for charging of devices via the additional Type C connection
- Connectors: HDMI Female and Type C Male; additionally, 2x USB2.0 (A+C), 1x USB 3.0 A F and 1x USB Type C F
- 1x SD/TF Card Reader
- Cable length: ca. 10 cm

**Remark: Support of „Alternate Mode (DP Alt Mode)“ required**

Note: According to the current specifications of USB.org we have adapted the technical data of our USB 3 products. The new designation for the already known USB specifications has been changed to USB 3.2 Gen 1 (formerly USB 3.0 / USB 3.1 Gen 1) and USB 3.2 Gen 2 (formerly USB 3.1 / USB 3.1 Gen 2).



Order-No. – P.U.  
12.99.1136 – 5

VALUE Dockingstation Type C, 1x 4K60 HDMI, 1xC+3xA US3.2Gen1, 1x C(PD), 1x SD, 1x RJ45, 1x 3.5mm Audio

**VALUE Dockingstation Type C, 1x HDMI 4K60, 2x A USB3.2Gen1 , 1x C USB3.2Gen1, 1x Type C PD (Power Delivery)**

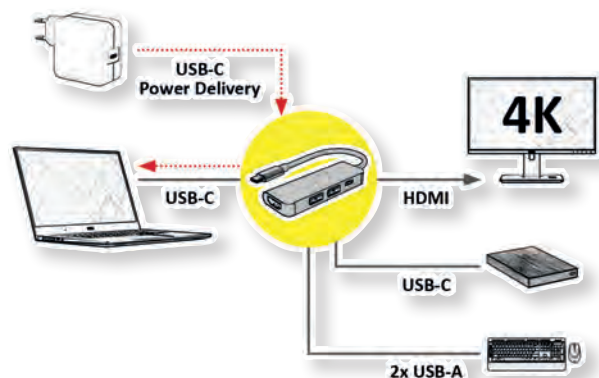


**Connect your Macbook, Ultrabook, Notebook/Laptop or PC with USB Type C interface to an HDMI display or projector (with a maximum resolution of up to 3840x2160 @60Hz) and another device, e.g. an external harddisk, to the additional USB Type A Port, while charging your device simultaneously over the Type C PD port!**

- USB 3.1 Type C to HDMI cableadapter for MacBook, Ultrabook, Notebook/Laptop or PC
- Connect your device with USB Type C port to any HDMI display or projector
- This adapter allows you to mirror or extend your display to your HDMI-enabled TV or display
- Maximum resolution: 3840x2160 @60Hz
- Portable design
- No power adapter required
- USB Type C PD: Power Delivery Function for charging of devices via the additional Type C connection
- Connectors: HDMI Female and Type C Male; additionally, 1x USB3.2Gen1 C, 2x USB3.2Gen1 A F and 1x USB Type C F (PD)
- Cable length: ca. 10 cm

**Remark: Support of „Alternate Mode (DP Alt Mode)“ required**

Note: According to the current specifications of USB.org we have adapted the technical data of our USB 3 products. The new designation for the already known USB specifications has been changed to USB 3.2 Gen 1 (formerly USB 3.0 / USB 3.1 Gen 1) and USB 3.2 Gen 2 (formerly USB 3.1 / USB 3.1 Gen 2).



Order-No. – P.U.  
12.99.1137 – 5

VALUE Dockingstation Type C, 1x HDMI 4K60, 2x A USB3.2Gen1 , 1x C USB3.2Gen1, 1x C PD

**VALUE Dockingstation Type C, 1x HDMI 4K60, (1x C + 3x A) USB3.2 Gen1, 1x Type C PD, 1x SD/TF, 1x RJ45, 1x 3.5mm Audio**
**4K** **2160p**  
ULTRA HD

Connect your Macbook, Ultrabook, Notebook/Laptop or PC with USB Type C interface to an HDMI display or projector (with a maximum resolution of up to 3840x2160 @60Hz) and another device, e.g. an external harddisk, to the additional USB Type A Port, while charging your device simultaneously over the Type C PD port!

- USB 3.1 Type C to HDMI cableadapter for MacBook, Ultrabook, Notebook/Laptop or PC
- Connect your device with USB Type C port to any HDMI display or projector
- This adapter allows you to mirror or extend your display to your HDMI-enabled TV or display
- Maximum resolution: 3840x2160 @60Hz
- Portable design
- No power adapter required
- USB Type C PD: Power Delivery Function for charging of devices via the additional Type C connection
- Connectors: HDMI Female and Type C Male; additionally, 1x US3.2Gen1 C + 3x A USB3.2 Gen1, 1x Typ C PD, 1x RJ45, 1x 3.5mm Audio
- 1x SD/TF Card Reader
- Cable length: ca. 10 cm

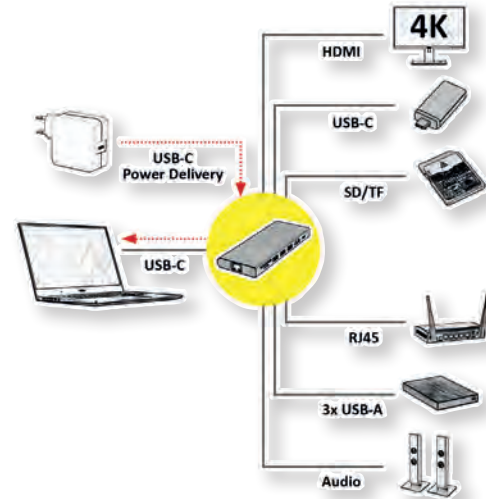
**Remark: Support of „Alternate Mode (DP Alt Mode)“ required**

Note: According to the current specifications of USB.org we have adapted the technical data of our USB 3 products. The new designation for the already known USB specifications has been changed to USB 3.2 Gen 1 (formerly USB 3.0 / USB 3.1 Gen 1) and USB 3.2 Gen 2 (formerly USB 3.1 / USB 3.1 Gen 2).


**Order-No. – P.U.**

VALUE Dockingstation Type C, 1x HDMI 4K60, (1x C + 3x A) USB3.2 Gen1, 1x Typ C PD, 1x SD/TF, 1x RJ45, 1x 3.5mm Audio

12.99.1138 – 5


**VALUE Dockingstation Type C, 1x- HDMI+DP 4K60, (1x C +2x A) US3.2Gen1, 1x Type C PD, 1x RJ45**
**4K** **2160p**  
ULTRA HD

Connect your Macbook, Ultrabook, Notebook/Laptop or PC with USB Type C interface to an HDMI/DP display or projector (with a maximum resolution of up to 3840x2160 @60Hz) and another device, e.g. an external harddisk, to the additional USB Type A Port, while charging your device simultaneously over the Type C PD port!

- USB 3.1 Type C to HDMI cableadapter for MacBook, Ultrabook, Notebook/Laptop or PC
- Connect your device with USB Type C port to any HDMI/DP display or projector
- This adapter allows you to mirror or extend your display to your HDMI/DP-enabled TV or display
- Maximum resolution: 3840x2160 @60Hz
- Portable design
- No power adapter required
- USB Type C PD: Power Delivery Function for charging of devices via the additional Type C connection
- Connectors: HDMI/DP Female and Type C Male; additionally, 1x US3.2Gen1 C + 2x A USB3.2 Gen1, 1x Typ C PD, 1x RJ45
- Cable length: ca. 20 cm

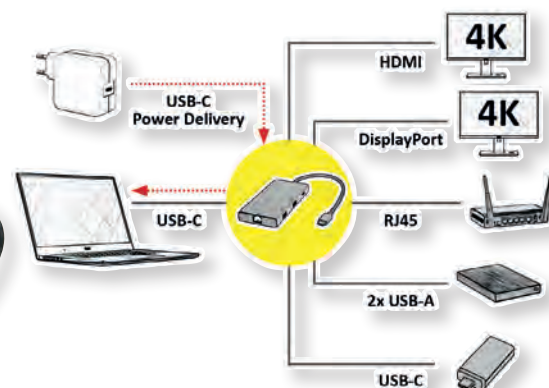
**Remark: Support of „Alternate Mode (DP Alt Mode)“ required**

Note: According to the current specifications of USB.org we have adapted the technical data of our USB 3 products. The new designation for the already known USB specifications has been changed to USB 3.2 Gen 1 (formerly USB 3.0 / USB 3.1 Gen 1) and USB 3.2 Gen 2 (formerly USB 3.1 / USB 3.1 Gen 2).


**Order-No. – P.U.**

VALUE Dockingstation Type C, 1x- HDMI+DP 4K60, (1x C +2x A) US3.2Gen1, 1x Type C PD, 1x RJ45

12.99.1139 – 10





**ROLINE Dockingstation Type C, 4K HDMI, USB 3.2 Gen 1, SD/MicroSD Card Reader, Power Delivery, Gigabit Ethernet**

The docking station is supplied for Macbooks, Ultrabooks or Notebooks/Laptops and provides a quick and easy connection to the workplace peripherals that you use every day, including one HDMI connector, that allows you a maximum resolution of up to 3840x2160 @60Hz!

- Plug & Play
- Aluminium casing
- Small, compact design
- System requirement: Windows 7/8/10 or MacOS X10.2 and higher

**Connection to device:**

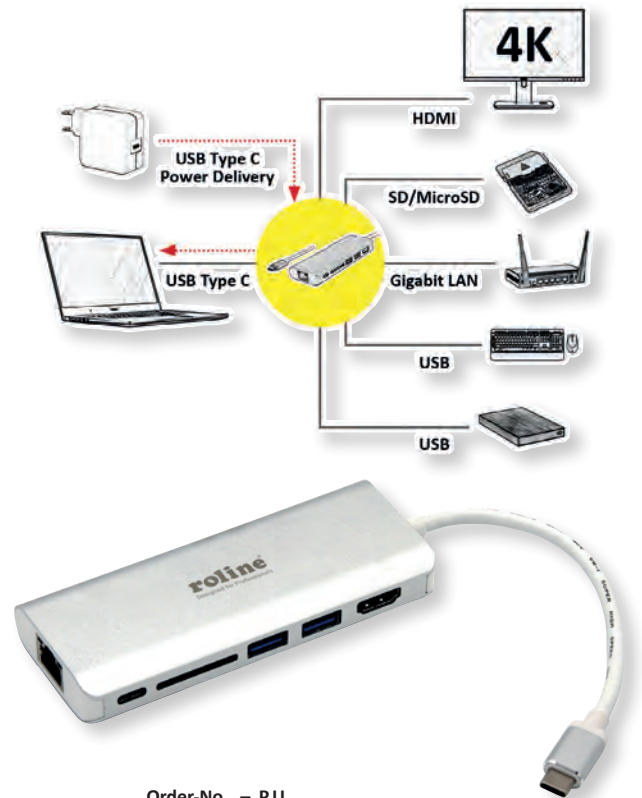
- 1x USB 3.1 / USB 3.2 Gen 2 Type C M

**Connection for peripheral devices**

- 1x HDMI Video Output: Mirror or extend your screen to a TV, monitor or projector.
- 2x USB 3.0 / USB 3.2 Gen 1 ports (data transfer rate up to 5Gbit/s), for connection of wired keyboard/mouse, USB HDD/SSD, etc.
- 1x SD/TF Card Reader
- 1x USB Type C PD (Power Delivery) + Data
- 1x RJ45 for Gigabit Ethernet

Note: According to the current specifications of USB.org we have adapted the technical data of our USB 3 products. The new designation for the already known USB specifications has been changed to USB 3.2 Gen 1 (formerly USB 3.0 / USB 3.1 Gen 1) and USB 3.2 Gen 2 (formerly USB 3.1 / USB 3.1 Gen 2).

- Contents: Docking Station, manual



Order-No. – P.U.

ROLINE USB Type C Docking Station, 4K HDMI, 2x USB 3.0 / USB 3.2 Gen 1 Ports, 1x SD/MicroSD Card Reader, 1x USB Type C PD (Power Delivery) + Data, 1x Gigabit Ethernet

12.02.1037 – 5

**VALUE Multiport Dockingstation Type C, 4K HDMI/DP, VGA, 2x USB 3.2 Gen 1, 1x USB 2.0, 1x SD/Micro SD Card Reader, 1x Type C PD, 1x Gigabit Ethernet, 1x 3.5mm Audio**

The USB Type C Docking Station with three video ports supplies your MacBook, Ultrabook, Notebook or Laptop with each one 4K capable HDMI/DisplayPort connection, as well as with a VGA port, 3x USB 3.0 / USB 3.2 Gen 1, 1x SD/MicroSD card reader, 1x USB Type C PD (Power Delivery), 1x Gigabit Ethernet and a 3.5mm Audio Port!

- Plug & Play
- Aluminum enclosure in space grey
- Designed with detachable right-angled USB-C cable to perfectly fit into the USB-C port of your laptop
- Multiport Docking Station for maximum connectivity, allows you to expand one display or mirror it to up to two monitors, TVs or beamers at a time.
- Max. resolution: 3840x2160 @30Hz
- Dual video output (DP+HDMI, HDMI+VGA, DP+VGA) max resolution up to 1920x1080p/60Hz with Multi-Stream Transport (MST) technology
- Three video output (DP+HDMI+VGA) max resolution up to 720p/60Hz with Multi-Stream Transport (MST)
- Small, compact and flattened design- Notebooks can be positioned at an angle on the docking station to make typing easier and healthier
- Anti-slip surface on both sides to protect your device
- System requirements: Windows 7/8/10 or MacOS X10.2 and higher

**Connection to the mobile device:**

- 1x USB 3.1 / USB 3.2 Gen 2 Type C plug

**Connections for peripheral devices:**

- 1x HDMI 4K video output: Mirror or expand your screen to a TV, monitor or projector
- 1x DP F
- 1x VGA F
- 2x USB 3.0 / USB 3.2 Gen 1 Type A ports (data transfer rate up to 5Gbit/s) / 1x USB2.0 Type A (max. 480Mbit/s), to connect e.g. keyboard/mouse, USB HDD/SSD, etc.
- 1x card reader for SD/MicroSD
- 1x Type C PD (Power Delivery)
- 1x RJ45 for Gigabit Ethernet
- 1x 3,5mm audio connector



Note: According to the current specifications of USB.org we have adapted the technical data of our USB 3 products. The new designation for the already known USB specifications has been changed to USB 3.2 Gen 1 (formerly USB 3.0 / USB 3.1 Gen 1) and USB 3.2 Gen 2 (formerly USB 3.1 / USB 3.1 Gen 2).

- Contents: Docking Station



Order-No. – P.U.

VALUE Multiport Dockingstation Type C, 4K HDMI/DP, VGA, 2x USB 3.2 Gen 1, 1x USB 2.0, 1x SD/Micro SD Card Reader, 1x Type C PD, 1x Gigabit Ethernet, 1x 3.5mm Audio

12.99.1117 – 2

## ROLINE Dockingstation Type C, 4K HDMI, VGA, 2x A USB3.2Gen1, 1x SD/MicroSD Card Reader, 1x C Power Delivery, 1x Gigabit Ethernet

Docking Station for Macbooks, Ultrabooks or Notebooks/Laptops - offers HDMI in 4K, 1x VGA, two USB 3.0 / 3.2 Gen 1 ports, SD/MicroSD card reader, USB type C PD (Power Delivery) and one port for Gigabit Ethernet. You get a fast and easy connection to the peripherals you use every day, including VGA and HDMI ports with a maximum resolution of up to 3840x2160 @60Hz!

- Plug & Play
- aluminium casing
- Small, compact design with a small special feature: the included USB Type C connection cable can be easily stowed in the docking station- it is therefore neither lost nor damaged during transport.
- One of the two USB 3.0 / USB 3.2 Gen 1 Type A ports supports Battery Charge v1.2 (5V 1.5A) to easily power even larger hard drives

### Connection to the device:

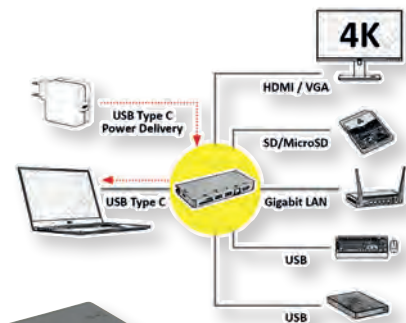
- 1x USB 3.1 / USB 3.2 Gen 2 Type C (F)

### Connection for peripheral devices:

- 1x HDMI and 1x VGA port video output: Mirror or expand your screen to a TV, monitor or projector with up to 3840x2160 @60Hz resolution.
- 2x USB 3.0 / USB 3.2 Gen 1 type A ports (data transfer rate up to 5Gbit/s), e.g. for connecting a wired keyboard or mouse, USB HDD/SSD, etc.
- 1x SD/TF card reader
- 1x USB Type C (F), PD (Power Delivery)
- 1x RJ45 for Gigabit Ethernet

Note: According to the current specifications of USB.org we have adapted the technical data of our USB 3 products. The new designation for the already known USB specifications has been changed to USB 3.2 Gen 1 (formerly USB 3.0 / USB 3.1 Gen 1) and USB 3.2 Gen 2 (formerly USB 3.1 / USB 3.1 Gen 2).

- Contents: Docking Station



Order-No. – P.U.

**roline**<sup>®</sup>  
Designed for Professionals

ROLINE Dockingstation Type C, 4K HDMI, VGA, 2x A USB3.2Gen1, 1x SD/MicroSD Card Reader, 1x C Power Delivery, 1x Gigabit Ethernet

12.02.1022 – 4

## ROLINE Multiport Dockingstation Type C, 4K HDMI, 2x USB 3.2 Gen 2, 1x C PD (Power Delivery), 1x Gigabit Ethernet

The USB Type C Docking Station provides your MacBook, Ultrabook, Notebook or Laptop with a 4K capable HDMI port, 2x USB 3.0 / USB 3.2 Gen 2, 1x USB Type C PD (Power Delivery) and 1x Gigabit Ethernet!

- Plug & Play
- Aluminium housing in space grey
- Multiport Docking Station with HDMI connection, allows the expansion of a display or mirroring to another monitor, television or beamer.
- Max. Resolution: 3840x2160 at 30Hz
- Compact and flat design.
- System requirements: Windows 7/8/10 or MacOS X10.2 and higher

### Connection to the mobile device:

- 1x USB Type C connector

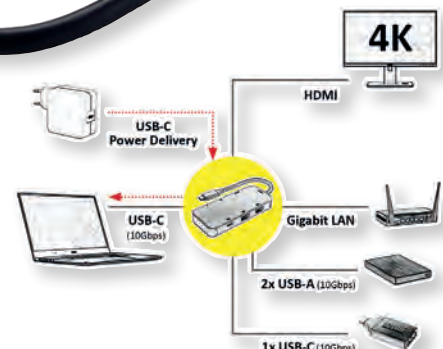
### Connections for peripheral devices:

- 1x HDMI 4K video output: Mirror or expand your screen to a TV, monitor or projector.
- 2x USB 3.2 Gen 2 Type A ports (data transfer rate up to 10 Gbit/s), for connecting e.g. keyboard/mouse, USB HDD/SSD, etc.
- 1x USB 3.2 Gen 2 Type C
- 1x USB Type C PD (Power Delivery, max. 100W)
- 1x RJ45 for Gigabit Ethernet

### Remark: Support of „Alternate Mode“ required

Note: According to the current specifications of USB.org we have adapted the technical data of our USB 3 products. The new designation for the already known USB specifications has been changed to USB 3.2 Gen 1 (formerly USB 3.0 / USB 3.1 Gen 1) and USB 3.2 Gen 2 (formerly USB 3.1 / USB 3.1 Gen 2).

- Contents: Docking Station



Order-No. – P.U.

**roline**<sup>®</sup>  
Designed for Professionals

ROLINE Multiport Dockingstation Type C, 4K HDMI, 2x USB 3.2 Gen 2, 1x C PD (Power Delivery), 1x Gigabit Ethernet

12.02.1121 – 10

**ROLINE GOLD Dockingstation Type C, 4K HDMI, 2x USB 3.2 Gen 1, 1x C PD (Power Delivery)**

The docking station is supplied for Macbooks, Ultrabooks or Notebooks/Laptops and provides a quick and easy connection to the workplace peripherals that you use every day, including one HDMI connector, that allows you a maximum resolution of up to 3840x2160 @30Hz!

- Golden aluminium case
- Narrow, flat design
- Black golden nylon braid around the cable
- Golden shield plates and contacts for reliable signal transmission

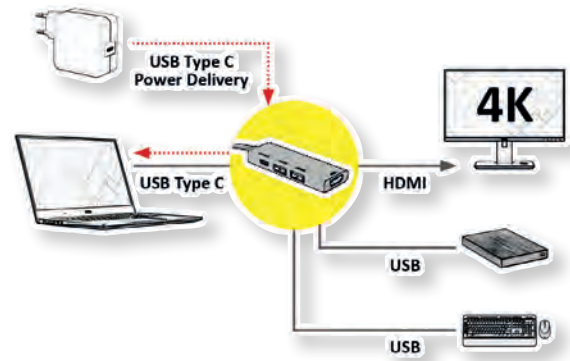
**Connection to the mobile device:**

- 1x USB 3.1 / USB 3.2 Gen 2 Type C

**Connections for peripheral devices:**

- 1x HDMI video output: mirror or expand your screen to a TV, monitor or projector
- 2x USB 3.0 / USB 3.2 Gen 1 Type A ports (data transfer rate up to 5Gbit/s), to connect e.g. keyboard / mouse, USB HDD / SSD, etc.
- 1x USB Type C PD (Power Delivery)
- Contents: Docking Station

Note: According to the current specifications of USB.org we have adapted the technical data of our USB 3 products. The new designation for the already known USB specifications has been changed to USB 3.2 Gen 1 (formerly USB 3.0 / USB 3.1 Gen 1) and USB 3.2 Gen 2 (formerly USB 3.1 / USB 3.1 Gen 2).



Order-No. – P.U.

ROLINE GOLD Dockingstation Type C, 4K HDMI, 2x USB 3.2 Gen 1, 1x C PD (Power Delivery)

12.02.1119 – 5

**ROLINE GOLD Dockingstation Type C, 4K HDMI, 2x USB 3.2 Gen 1, 1x C PD (Power Delivery)**

The docking station is supplied for Macbooks, Ultrabooks or Notebooks/Laptops and provides a quick and easy connection to the workplace peripherals that you use every day, including one HDMI connector, that allows you a maximum resolution of up to 3840x2160 @30Hz!

- Golden aluminium case
- Narrow, flat design
- Black golden nylon braid around the cable
- Golden shield plates and contacts for reliable signal transmission

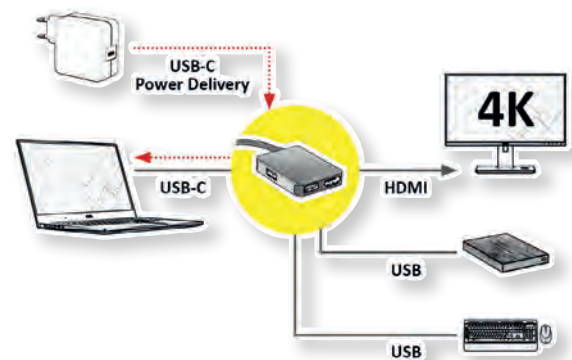
**Connection to the mobile device:**

- 1x USB 3.1 / USB 3.2 Gen 2 Type C

**Connections for peripheral devices:**

- 1x HDMI video output: mirror or expand your screen to a TV, monitor or projector
- 2x USB 3.0 / USB 3.2 Gen 1 Type A ports (data transfer rate up to 5Gbit/s), to connect e.g. keyboard / mouse, USB HDD / SSD, etc.
- 1x USB Type C PD (Power Delivery)
- Contents: Docking Station

Note: According to the current specifications of USB.org we have adapted the technical data of our USB 3 products. The new designation for the already known USB specifications has been changed to USB 3.2 Gen 1 (formerly USB 3.0 / USB 3.1 Gen 1) and USB 3.2 Gen 2 (formerly USB 3.1 / USB 3.1 Gen 2).



Order-No. – P.U.

ROLINE GOLD Dockingstation Type C, 4K HDMI, 2x USB 3.2 Gen 1, 1x C PD (Power Delivery)

12.02.1120 – 10



**ROLINE Multiport Dockingstation Type C, 4K HDMI, 2x USB A (USB2.0 + USB3.2 Gen 1), 1x USB 3.2Gen1 C, 1x SD/Micro SD Card Reader, 1x C PD (Power Delivery)**
**4K** **2160p**  
ULTRA HD

The USB Type C Docking Station provides your MacBook, Ultrabook, Notebook or Laptop with a 4K capable HDMI port, 2x USB 3.0 / USB 3.2 Gen 1, 1x USB 3.2 Gen 1 C, 1x SD/MicroSD card reader, 1x USB Type C PD (Power Delivery) and 1x Gigabit Ethernet!

- Plug & Play
- Aluminium housing in space grey
- Multiport Docking Station with HDMI connection, allows the expansion of a display or mirroring to another monitor, television or beamer.
- Max. Resolution: 3840x2160 at 60Hz
- Compact and flat design.
- System requirements: Windows 7/8/10 or MacOS X10.2 and higher

**Connection to the mobile device:**

- 1x USB Type C connector

**Connections for peripheral devices:**

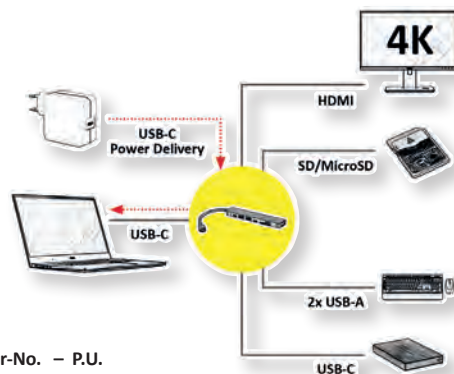
- 1x HDMI 4K video output: Mirror or expand your screen to a TV, monitor or projector.
- 2x USB (USB 2.0 / USB 3.2 Gen 1) type A ports (data transfer rate up to 5Gbit/s), for connecting e.g. keyboard/mouse, USB HDD/SSD, etc.
- 1x card reader for SD/MicroSD
- 1x USB Type C PD (Power Delivery, max. 60W)
- 1x USB 3.2Gen1 type C

Remark: Support of „Alternate Mode (DP Alt Mode)“ required

**roline**<sup>®</sup>  
Designed for Professionals

Note: According to the current specifications of USB.org we have adapted the technical data of our USB 3 products. The new designation for the already known USB specifications has been changed to USB 3.2 Gen 1 (formerly USB 3.0 / USB 3.1 Gen 1) and USB 3.2 Gen 2 (formerly USB 3.1 / USB 3.1 Gen 2).

- Contents: Docking Station



Order-No. – P.U.

12.02.1122 – 5

ROLINE Multiport Dockingstation Type C, 4K HDMI, 2x USB A (USB2.0 + USB3.2 Gen 1), 1x USB 3.2Gen1 C, 1x SD/Micro SD Card Reader, 1x USB Type C PD (Power Delivery)

**ROLINE Multiport Dockingstation Type C, 8K30 HDMI, 2x USB 3.2 Gen 1, 1x SD/Micro SD Card Reader, 1x C PD (Power Delivery), 1x Gigabit Ethernet**
**8K** **4320**  
ULTRA HD

The USB Type C Docking Station provides your MacBook, Ultrabook, Notebook or Laptop with a 8K30 capable HDMI port, 2x USB 3.0 / USB 3.2 Gen 1, 1x SD/MicroSD card reader, 1x USB Type C PD (Power Delivery) and 1x Gigabit Ethernet!

- Plug & Play
- Aluminium housing in space grey
- Multiport Docking Station with HDMI connection, allows the expansion of a display or mirroring to another monitor, television or beamer.
- Max. Resolution: 7680x4320@30Hz
- Compact and flat design.
- System requirements: Windows 7/8/10 or MacOS X10.2 and higher

**Connection to the mobile device:**

- 1x USB Type C connector

**Connections for peripheral devices:**

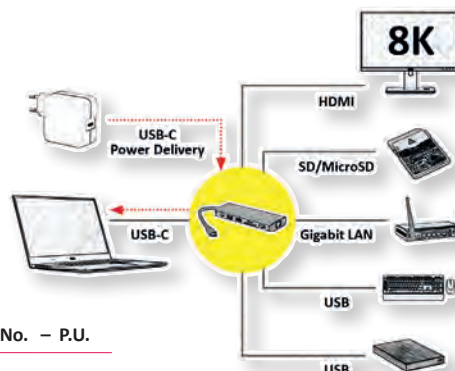
- 1x HDMI 8K video output: Mirror or expand your screen to a TV, monitor or projector.
- 2x USB 3.0 / USB 3.2 Gen 1 Type A ports (data transfer rate up to 5Gbit/s), for connecting e.g. keyboard/mouse, USB HDD/SSD, etc.
- 1x card reader for SD/MicroSD
- 1x USB Type C PD (Power Delivery, max. 60W)
- 1x RJ45 for Gigabit Ethernet

Remark: Support of „Alternate Mode (DP Alt Mode)“ required

Note: According to the current specifications of USB.org we have adapted the technical data of our USB 3 products. The new designation for the already known USB specifications has been changed to USB 3.2 Gen 1 (formerly USB 3.0 / USB 3.1 Gen 1) and USB 3.2 Gen 2 (formerly USB 3.1 / USB 3.1 Gen 2).

**roline**<sup>®</sup>  
Designed for Professionals

- Contents: Docking Station



Order-No. – P.U.

12.02.1123 – 2

ROLINE Multiport Dockingstation Type C, 8K30 HDMI, 2x USB 3.2 Gen 1, 1x SD/Micro SD Card Reader, 1x C PD (Power Delivery), 1x Gigabit Ethernet

**ROLINE Multiport Dockingstation Type C, 8K60 HDMI, 3x USB 3.2 Gen 1(2x A + 1x C), 1x C PD (Power Delivery), 1x Gigabit Ethernet (2.5 GbE)**



The USB Type C Docking Station provides your MacBook, Ultrabook, Notebook or Laptop with a 8K60 capable HDMI port, 3x USB 3.2 Gen 1 (2x A + 1x C), 1x USB Type C PD (Power Delivery) and 1x 2.5 Gigabit Ethernet!

- Plug & Play
  - Aluminium housing in space grey
  - Multiport Docking Station with HDMI connection, allows the expansion of a display or mirroring to another monitor, television or beamer.
  - Max. Resolution: 7680x4320@60Hz
  - Compact and flat design.
- System requirements: Windows 7/8/10 or MacOS X10.2 and higher

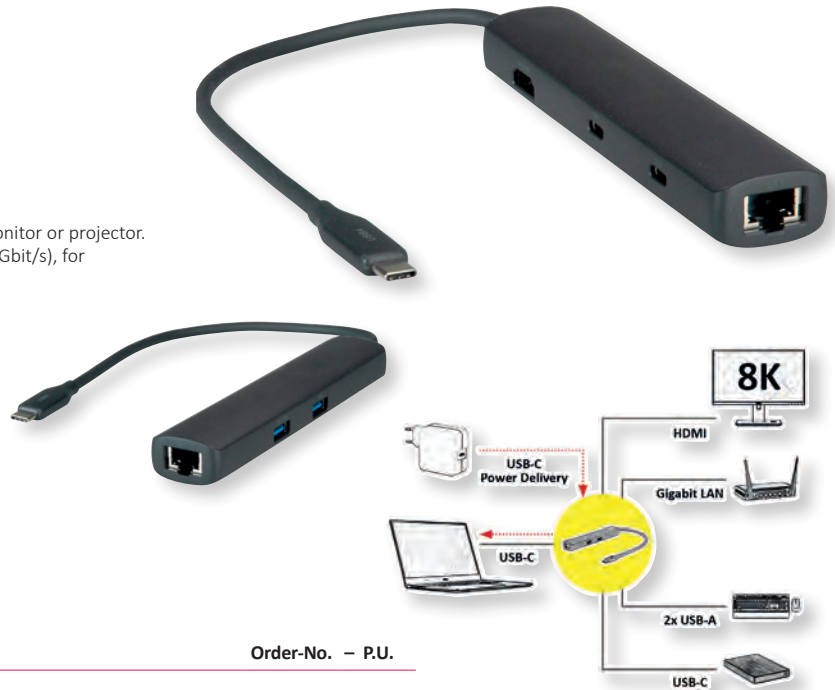
**Connection to the mobile device:**  
• 1x USB Type C connector

**Connections for peripheral devices:**  
• 1x HDMI 8K video output: Mirror or expand your screen to a TV, monitor or projector.  
• 3x USB 3.2 Gen 1 Type (2x A +1x C) ports (data transfer rate up to 5Gbit/s), for connecting e.g. keyboard/mouse, USB HDD/SSD, etc.  
• 1x USB Type C PD (Power Delivery, max. 60W)  
• 1x RJ45 for 2.5 Gigabit Ethernet

**Remark: Support of „Alternate Mode (DP Alt Mode)“ required**

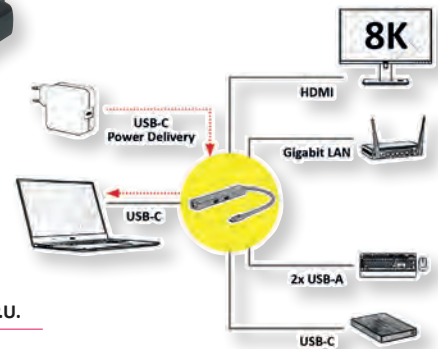
Note: According to the current specifications of USB.org we have adapted the technical data of our USB 3 products. The new designation for the already known USB specifications has been changed to USB 3.2 Gen 1 (formerly USB 3.0 / USB 3.1 Gen 1) and USB 3.2 Gen 2 (formerly USB 3.1 / USB 3.1 Gen 2).

- Contents: Docking Station



ROLINE Multiport Dockingstation Type C, 8K60 HDMI, 3x USB 3.2 Gen 1(2x A + 1x C), 1x C PD (Power Delivery), 1x Gigabit Ethernet (2.5 GbE)

Order-No. – P.U.  
12.02.1124 – 10



**ROLINE Multiport Dockingstation Type C, 4K HDMI, 2x Audio 2x Audio (TRRS + Mic), 1x C PD (Power Delivery)**



The USB Type C Docking Station provides your MacBook, Ultrabook, Notebook or Laptop with a 4K capable HDMI port, 2x Audio (Micro + Headset), 1x USB Type C PD (Power Delivery)!

- Plug & Play
  - Aluminium housing in space grey
  - Multiport Docking Station with HDMI connection, allows the expansion of a display or mirroring to another monitor, television or beamer.
  - Max. Resolution: 3840x2160 at 60Hz
  - Compact and flat design.
- System requirements: Windows 7/8/10 or MacOS X10.2 and higher

**Connection to the mobile device:**  
• 1x USB Type C connector

**Connections for peripheral devices:**  
• 1x HDMI 4K video output: Mirror or expand your screen to a TV, monitor or projector.  
• 2x Audio (3.5mm) ports for connecting e.g. Microphone + headsets etc.  
• 1x USB 3.2 Gen 2 Type C  
• 1x USB Type C PD (Power Delivery, max. 100W)

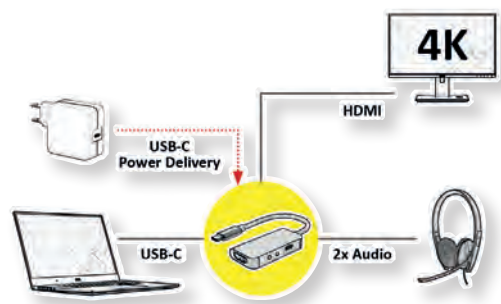
Note: According to the current specifications of USB.org we have adapted the technical data of our USB 3 products. The new designation for the already known USB specifications has been changed to USB 3.2 Gen 1 (formerly USB 3.0 / USB 3.1 Gen 1) and USB 3.2 Gen 2 (formerly USB 3.1 / USB 3.1 Gen 2).

• Contents: Docking Station



ROLINE Multiport Dockingstation Type C, 4K HDMI, 2x Audio 2x Audio (TRRS + Mic), 1x C PD (Power Delivery)

Order-No. – P.U.  
12.02.1125 – 10



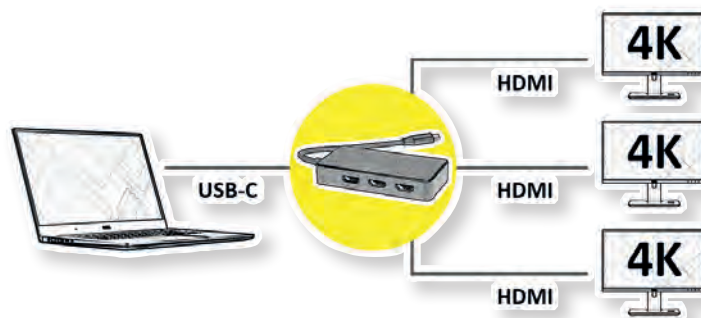
## VALUE USB Type C - HDMI Multistream Adapter, 3x HDMI, 4K, M/F

NEW

Connect your Macbook, Ultrabook, Notebook/Laptop or PC to any HDMI enabled display (up to 3) - with a resolution of max. 3840x2160 @60Hz!

- USB 3.1 Type C to HDMI Cableadapter for Macbook, Ultrabook, Notebook/Laptop or PC
  - Connect your device with USB Type C port to any HDMI display or projector
  - This adapter allows you to mirror or extend the display of your device to any HDMI-enabled TV or display
  - Portable design
  - No power adapter required
  - Connectors: HDMI Female and Type C Male
  - Max. resolution: 3840 x 2160 @60Hz
  - Cable length: ca. 10 cm
- Support up to 3 monitors with 4K Ultra HD (3840 x2160) @60Hz each
  - Supports Mirror or extend mode for Windows
  - Plug & play
  - Computer must support HBR3 or DisplayPort 1.4

Remark: Support of „Alternate Mode (DP Alt Mode)“ required

Order-No. – P.U.

VALUE USB Type C - HDMI Multistream Adapter, 3x HDMI, 4K, M/F 12.99.1031 – 5

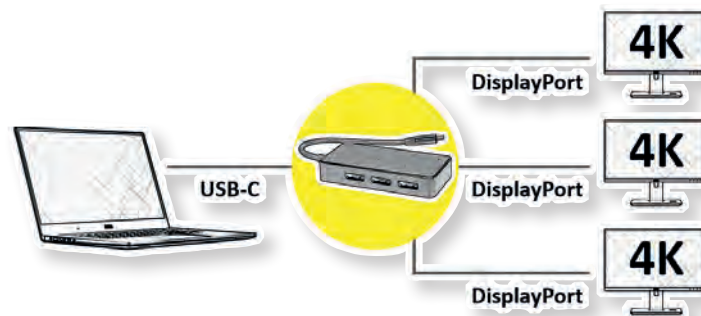
## VALUE USB Type C - DP Multistream Adapter, 3x DP, 4K, M/F

NEW

Connect your Macbook, Ultrabook, Notebook/Laptop or PC to any DP enabled display (up to 3) - with a resolution of max. 3840x2160 @60Hz!

- USB 3.1 Type C to HDMI Cableadapter for Macbook, Ultrabook, Notebook/Laptop or PC
  - Connect your device with USB Type C port to any DisplayPort display or projector
  - This adapter allows you to mirror or extend the display of your device to any DisplayPort-enabled TV or display
  - Portable design
  - No power adapter required
  - Connectors: DisplayPort Female and Type C Male
  - Max. resolution: 3840 x 2160 @60Hz
  - Cable length: ca. 10 cm
- Support up to 3 monitors with 4K Ultra HD (3840 x2160) @60Hz each
  - Supports Mirror or extend mode for Windows
  - Plug & play
  - Computer must support HBR3 or DisplayPort 1.4

Remark: Support of „Alternate Mode (DP Alt Mode)“ required

Order-No. – P.U.

VALUE USB Type C - DP Multistream Adapter, 3x DP, 4K, M/F 12.99.1032 – 5



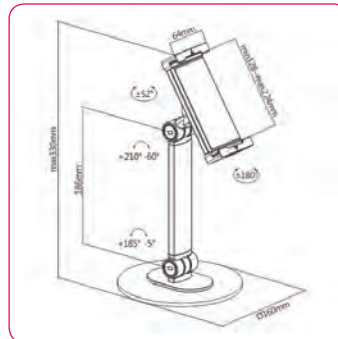
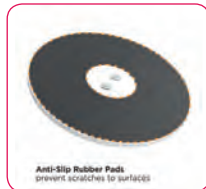
**VALUE Tabletop Stand/Freestanding Base for Tablet**

- Universal Tablet Tabletop Stand - can cover all your needs of using a tablet/smart-phone whether you are at home or in the office, convenient for reading, typing, watching videos, video calls, online meeting and courses, etc.
- The sleek and stylish design offers elegant appearance
- **With adjustable holder, it can grab 4.7"-12.9" tablets**
- Large solid base can firmly hold tablets with a weight up to 1kg
- You can place your device at optimal viewing position with angle adjustment function
- The soft rubber pads hold your device securely without scratches or damages.
- Integrated Ball Joint: allows rotate ,tilt and swivel in any direction
- Adjustable Angle Viewing: for optimal viewing position
- Adjustable Mounting Panel: grab different tablets firmly and flexibly
- Large Solid Base: for enhanced stability

• **REMARK: product will be delivered in black color / Tablet is not included**

**Specifications**

- Material: Aluminum, Plastic, Steel
- Surface Finish: Powder Coating
- Color: Black
- Dimensions: 160 x 160 x 330mm (6.3"x 6.3"x 13")
- Fit Screen Size: 4.7"- 12.9"
- Weight Capacity: 1kg
- Tilt Range: +210° - -60°
- Swivel Range: +52° - -52°
- Screen Rotation: +180° - -180°
- Adjustable Holder Width: 128 - 224mm (5" - 8.8")



Order-No. - P.U.

VALUE Tabletop Stand/Freestanding Base for Tablet holder, black

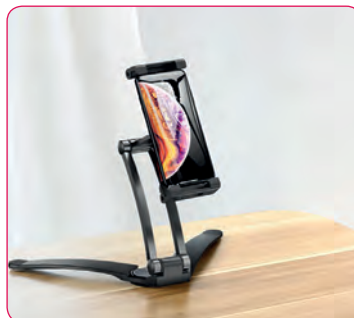
17.99.1193 - 15

**VALUE Aluminum Holder for iPad/Ebook/Tablet, Desk- / Wall Mount Type**

**Aluminum Holder for iPad/Ebook/Tablet, Desk- / Wall Mount Type**

- Twin arm clamp holder for most of the ebook/ smartphones / tablets like iPad1, iPad2, iPad3, iPad 4, iPad Air and iPad Air 2, Samsung Galaxy 10.1 and Tab 2
- 360° rotation of panel and base
- Flexible angle between two legs of 36° - 180°
- Adjustable top leg length of 26- 64mm
- Freely ±30° tilted silicone feet for holding your tablets perfectly
- Tilt of panel: ±125°
- Tilt of arms: ±100°
- Max. Load: 2.5 kg
- Material: aluminum / silica gel
- Color: Black
- Dimensions: 235 x 90 x 80mm
- Fit Screen Size: 5.5"- 12.9"

• **REMARK: product will be delivered in black color / Tablet is not included**



Order-No. - P.U.

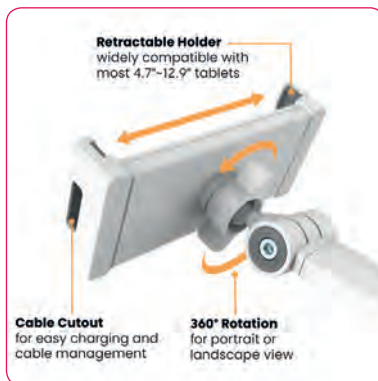
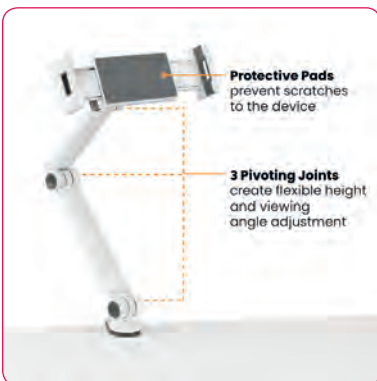
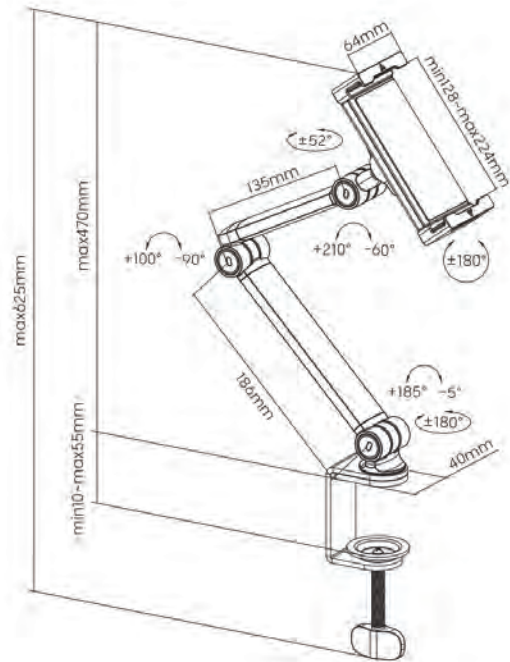
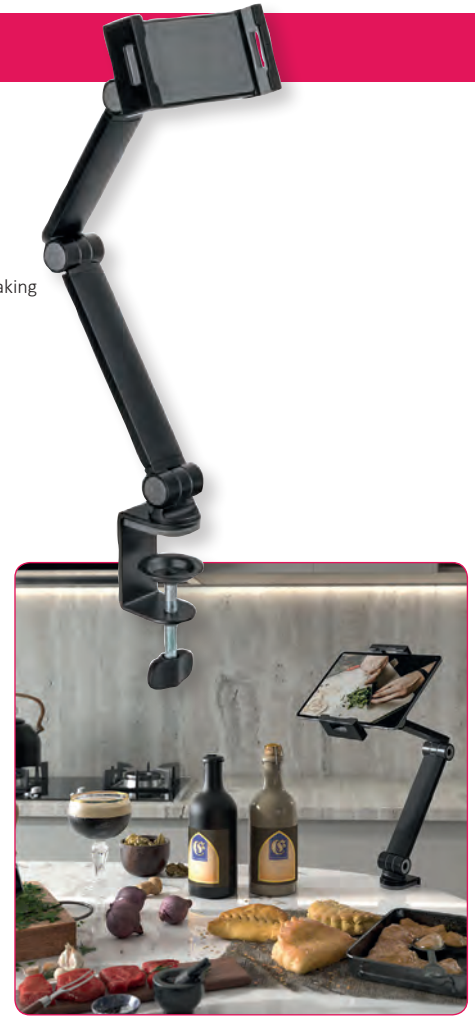
VALUE Aluminum Holder for iPad/Ebook/Tablet, Desk- / Wall Mount Type, black

17.99.1192 - 10

## VALUE Universal Adjustable Tablet Clamp Mount

- Universal Tablet Clamp perfectly fits daily work and entertainment needs
- **Widely compatible with most any 4.7" - 12.9" tablets**
- Flexible joint adjustment enables a whole new level of versatility
- Integrated Ball Joint: allows to rotate, tilt and swivel in any direction
- Adjustable Angle Viewing: for optimal viewing position
- Adjustable Mounting Panel: grab different tablets firmly and flexibly
- Clamp Mounting Design: firmly attaches to the table, providing great stability
- Precise cutouts for complete access to all buttons, cameras, speakers and ports.
- The C-clamp is compatible with most work surfaces within 10- 55mm (0.39" – 2.2") and holds the device without shaking
- Multiple protective pads hold the device securely and prevent scratches
- The 360° mounting head can be rotated freely for any desired viewing angle
- Color: matte black

• **REMARK:** product will be delivered in black color / Tablet is not included



Order-No. – P.U.

VALUE Universal Adjustable Tablet Clamp Mount , black

17.99.1194 – 20

Value®

## ROLINE Wireless Charger (15W) / Car Smartphone Holder, Magnetic

**Wireless Charging Smartphone holder for the car, for wireless charging of Qi-capable smartphones by induction - thanks to the integrated coil in the charger, the device can be charged very quickly and efficiently with up to 15W.**

- Charges a compatible smartphone or other matching Qi devices
- One charging coil for up to 15W of power
- Ball joint for optimum adjustability
- For use in the car to avoid having to attach annoying cables directly to the smartphone
- Secure hold through clip
- Connection to Wireless Charger via USB Type C to USB Type C cable (plug/plug)
- 360° freedom of rotation – smartphone holder can be flexibly rotated 360°
- The base of the holder is attached to the air vent/slot in the car
- Due to the magnetic fastening, the use of the smartphone for navigation purposes is very practical and convenient
- Colour: black
- Contents: Car smartphone holder with integrated wireless charger, USB C-C charger cable, magnetic clip, operating instructions

- MagSafe is a new wireless charging technology developed exclusively for Apple products.
- The MagSafe charging method uses inductive charging with a maximum power of up to 15 watts.
- The difference between a MagSafe charger and a Qi-compatible charger is the use of magnets. The magnets used ensure that the smartphone remains securely and stably placed on the charger and can be charged without any concerns.
- Thanks to these magnets, a secure connection/alignment of the charging coil(s) to the smartphone is achieved, while at the same time ensuring efficient and optimal charging

Qi wireless charging: Qi is an interface standard for inductive power transmission (wireless charging) of the „Wireless Power Consortium“. Inductive charging requires two devices, a receiver (such as an iPhone 8/X) and a transmitter (charging station). The current is transmitted via coils that generate a magnetic field. The smartphone can absorb energy via this magnetic field and thus charge the integrated battery.

Order-No. – P.U.

ROLINE Wireless Charger (15W) and Car Smartphone Holder, Magnetic

19.11.1015 – 10



## ROLINE Wireless Charging Stand for Mobile Devices, 15W, Magnetic

**Wireless Charging Stand for matching smartphones or tablets - with up to 15W in the charger allow a smartphone to be charged in „portrait“ or „landscape“ mode, for example.**

- Charges a Qi-compatible smartphone or other suitable Qi device
- Charging coil for up to 15W power
- Voltage regulation- designed for charging low-power devices- the power supply is automatically adjusted to the needs of the equipment being charged
- Plug & Play- No driver required
- Ideal for e.g. office or bedroom
- Colour: silver, white
- Cable length: ~150 cm
- Interface: USB Type-C
- Input current: 5V/3A, 9V/2.2A
- Material: Aluminum, PC
- Compatible with phones that support Qi wireless charging
- Power: 15W / 10W / 7.5W / 5W

Qi wireless charging: Qi is an interface standard for inductive power transmission (wireless charging) of the „Wireless Power Consortium“. Inductive charging requires two devices, a receiver (such as an iPhone 8/X) and a transmitter (charging station). The current is transmitted via coils that generate a magnetic field. The smartphone can absorb energy via this magnetic field and thus charge the integrated battery.

- Contents: charging station, USB charging cable, operating instructions

**roline**<sup>®</sup>  
Designed for Professionals



Order-No. – P.U.

ROLINE Wireless Charging Stand for Mobile Devices, 15W, magnetic

19.11.1016 – 10



## ROLINE USB Charger, C5 Connection, 1x Type C Port, 65W

**For charging or as power supply of a device via USB type C - with up to 65W!**

- For charging devices with USB Type C socket such as MacBooks, Ultrabooks, Notebooks, Laptops, NUCs, Tablets or even Smartphones
- Perfect for on the go: simply use any cable with C5 plug and country-specific connection

- Supports USB PD (Power Delivery) function on output port
- Protection: Current / short-circuit / overvoltage protection
- Compact design, black housing and cable
- Input: 100- 240V AC, 50-60Hz
- Output: 5V-3A, 9V-3A, 12V-3A, 15V-3A, 20V-3,25A (max. 65 W)

**roline**<sup>®</sup>  
Designed for Professionals



Order-No. – P.U.

ROLINE USB Charger, C5 Connection, 1x Type C Port, 65W

19.11.1034 – 10

## ROLINE USB Charging Station

- For charging smart phones, tablet PCs (e. g. iPad), MP3 players ...
- Power and charge up to 7 devices at once in one convenient location on your desktop, counter top, lobby, or waiting room.
- Perfect for home or office use, most cell phones and tablets fit in station's slots without removing protective cases (slot widths- 19mm)
- 7 Powered USB Ports (5x 2.4A)- Simply connect your own charging cable and the charging station will charge up to 7 devices, including smartphones and high-powered

- devices such as tablets
- Organize up to 7 devices- 7 slots with anti-scratch silicone pads organize your devices even with the cases still on
- Surge protection on each port
- Built-in smart charging chipset provides and determines the charge needed for your device, delivering a steady and safe charge
- Power in a compact space
- Power Supply: 19VDC; 3.4A
- Output: 7x 2.4A
- Contents: USB charger, power adapter

Technical data: 19.07.1051  
 Number of ports: 7  
 Output: 7x USB 2.0 A, F  
 Input Voltage: 100 - 240V AC, 50 - 60Hz  
 Output Voltage: 5VDC  
 Power Output rate: 7x 5V DC 2.4A  
 Colour: black  
 Material (housing): plastic



Order-No. – P.U.

ROLINE USB Charging Station, 7 Port

19.07.1051 – 10

**roline**<sup>®</sup>  
Designed for Professionals

## VALUE Car Plug with USB Charger

**Easily charge your smartphone or other USB devices in the car or power mobile navigation devices**

- Car plug
- Input voltage: DC 12V- 24V
- Contents: car charger

Technical data: 19.99.1059  
 Input: 12-24 V DC, 2.1A max.  
 Output: 2x USB Type A F  
 Power: 10W (5VDC; 1.2A)

Dimensions: 33x35mm

Order-No. – P.U.

VALUE USB Car Charger, 2 Port, 10W

19.99.1059 – 20

**Value**<sup>®</sup>



## VALUE Notebook Cable Security Lock

**Suitable for all notebooks with „security hole“**

- Easy use and installation: tie the steel cable around any furniture or something like that
- Install the security lock in the „security hole“ and lock it with the key
- Zinc alloy housing and brass cylinder
- Satin nickel plated standard, other finishes available upon request
- 7-pin tumbler mechanism
- Steel made tubular keys, nickel plated
- Key withdrawals in one position only
- 90 degrees turn to unlock
- Stainless steel cable:
  - 5 mm diameter, 1.7 m length, dark grey with transparent PVC coating
- Contents: Anti-Theft Cable with keys

Order-No. – P.U.

VALUE Notebook Cable Security Lock, with key

19.99.3022 – 50

**Value**<sup>®</sup>





## Multimedia

|   |             |
|---|-------------|
| UHD HDMI / DP Active Cables . . . . .       | 6.02 – 6.05 |
| Audio/Video Splitters . . . . .             | 6.06 – 6.08 |
| Wireless HDMI Audio/Video Systems . . . . . | 6.09 – 6.10 |
| Audio/Video Extenders over TP . . . . .     | 6.11 – 6.14 |
| HDMI Repeater . . . . .                     | 6.15        |
| Audio/Video Switches . . . . .              | 6.16 – 6.17 |
| HDMI Matrix Switches. . . . .               | 6.17 – 6.20 |
| HDMI Bi-Directional Switch. . . . .         | 6.20 – 6.21 |
| DP / HDMI Emulator . . . . .                | 6.22        |
| Headsets. . . . .                           | 6.22        |
| Audio Extractor . . . . .                   | 6.23        |
| Multimedia Audio/Video Modules. . . . .     | 6.24        |
| Audio Adapters / Converters . . . . .       | 6.24        |

## VALUE UHD HDMI 4K Active Cables, 4K, up to 25m

4K 2160p  
UHD-1

This cable achieves resolutions with up to 4K UHD (3840x2160) @ 60Hz in up to 25m distance between data source and receiver! It's 3D capable and audio transmission is included.

- For a total length of 25 meters between computer and monitor
- Active repeater is integrated in the connectors
- Hardware solution, no software required
- No external power supply needed
- Connectors: HDMI Type A M
- Max. resolution: 3840x2160 @60Hz




Order-No. – P.U.

|   |                |
|---|----------------|
| VALUE UHD HDMI 4K2K Active Cable, M/M, 10 m | 14.99.3451 – 5 |
| VALUE UHD HDMI 4K2K Active Cable, M/M, 15 m | 14.99.3452 – 5 |
| VALUE UHD HDMI 4K2K Active Cable, M/M, 20 m | 14.99.3453 – 5 |
| VALUE UHD HDMI 4K2K Active Cable, M/M, 25 m | 14.99.3454 – 5 |



## ROLINE UHD HDMI 4K Active Cables, 4K, up to 20m

4K 2160p  
UHD-1

This cable achieves resolutions with up to 4K UHD (3840x2160) @ 60Hz in up to 20m distance between data source and receiver! It's 3D capable and audio transmission is included.

- For a total length up to 20 meters e.g. between computer and monitor
- Active repeater is integrated in the connectors
- Hardware solution, no software required
- No external power supply needed
- Connectors: HDMI Type A M
- Max. resolution: 3840 x 2160 @60Hz

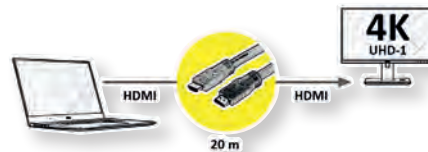


Designed for Professionals



Order-No. – P.U.

|  |                |
|--|----------------|
| ROLINE UHD HDMI 4K Active Cable, M/M, 10 m | 14.01.3451 – 5 |
| ROLINE UHD HDMI 4K Active Cable, M/M, 15 m | 14.01.3452 – 5 |
| ROLINE UHD HDMI 4K Active Cable, M/M, 20 m | 14.01.3455 – 5 |



## VALUE UHD HDMI Active Optical (AOC) Cables, 4K, up to 50m

4K 2160p  
UHD-1

With our UHD (3840x2160 @60Hz) capable HDMI fiber cable you have the possibility to establish a connection of up to 50m between your devices. The active cable (AOC) does not require a separate power supply and is particularly well suited for routing in a cable duct.

- Total length of the terminal distance (e.g., from notebook / laptop to beamer or PC to monitor): 50 meters
- Hardware solution, no software required
- A signal repeater is installed in the connectors
- No external power supply required
- Low plug dimensions
- Maximum resolution of up to 3840x2160 @60Hz




14.99.3479 / 3480 / 3481

Order-No. – P.U.

|  |                |
|--|----------------|
| VALUE Cable UHD HDMI Active Optical (AOC), M/M, 15 m | 14.99.3479 – 1 |
| VALUE Cable UHD HDMI Active Optical (AOC), M/M, 20 m | 14.99.3480 – 1 |
| VALUE Cable UHD HDMI Active Optical (AOC), M/M, 30 m | 14.99.3481 – 1 |
| VALUE Cable UHD HDMI Active Optical (AOC), M/M, 50 m | 14.99.3482 – 1 |



14.99.3482

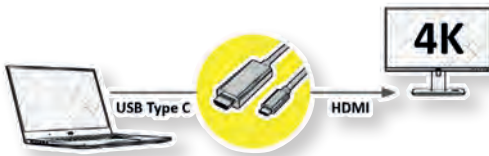


**ROLINE Type C - HDMI (AOC) Cable, 4K, 30m**

**4K** 2160p  
UHD-1

Connect your Macbook, Ultrabook, Notebook/Laptop or PC with USB Type C connector to an HDMI monitor, TV or projector with HDMI - with a maximum resolution of 3840x2160 @60Hz! The active cable (AOC) does not require a separate power supply and is particularly well suited for routing in a cable duct.

- USB Type C to HDMI cable for Macbook, Ultrabook, Notebook/Laptop or PC
- This adapter allows you to mirror or extend the display of your device to any HDMI-enabled TV, projector or display
- Portable design
- No power adapter required
- Maximum resolution: 3840x2160 @60Hz
- Connectors: HDMI Male and Type C Male



Order-No. – P.U.

ROLINE Type C - HDMI (AOC) Cable, 4K60, M/M, 30 m

14.01.3474 – 1

**roline**<sup>®</sup>  
Designed for Professionals

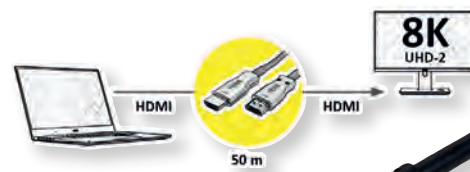


**VALUE UHD HDMI Active Optical (AOC) Cables, 8K, up to 50m**

**8K** 4320p

With our UHD (7680x4320 @60Hz) capable HDMI fiber cable you have the possibility to establish a connection of up to 50m between your devices. The active cable (AOC) does not require a separate power supply and is particularly well suited for routing in a cable duct.

- Total length of the terminal distance (e.g., from notebook / laptop to beamer or PC to monitor): up to 50 meters
- Hardware solution, no software required
- A signal repeater is installed in the connectors
- No external power supply required
- Low plug dimensions
- Maximum resolution of up to 7680x4320 @60Hz



Order-No. – P.U.

|  |                |
|--|----------------|
| VALUE Cable UHD HDMI Active Optical (AOC), 8K, M/M, 15 m | 14.99.3484 – 1 |
| VALUE Cable UHD HDMI Active Optical (AOC), 8K, M/M, 20 m | 14.99.3485 – 1 |
| VALUE Cable UHD HDMI Active Optical (AOC), 8K, M/M, 30 m | 14.99.3483 – 1 |
| VALUE Cable UHD HDMI Active Optical (AOC), 8K, M/M, 50 m | 14.99.3487 – 1 |

**Value**<sup>®</sup>



**ROLINE UHD HDMI Active Optical (AOC) Cables, 8K, up to 50m**

**8K** 4320p

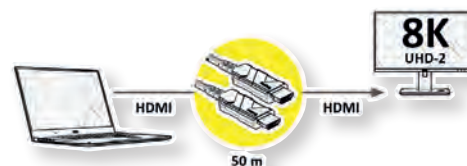
With our UHD (7680x4320 @60Hz) capable HDMI fiber cable you have the possibility to establish a connection of up to 50m between your devices. The active cable (AOC) does not require a separate power supply and is particularly well suited for routing in a cable duct.

- Total length of the terminal distance (e.g., from notebook / laptop to beamer or PC to monitor): < 50 meters
- Hardware solution, no software required
- A signal repeater is installed in the connectors
- No external power supply required
- Low plug dimensions
- Maximum resolution of up to 7680x4320 @60Hz



Order-No. – P.U.

|   |                |
|---|----------------|
| ROLINE Cable UHD HDMI Active Optical (AOC), 8K, M/M, 15 m | 14.01.3484 – 1 |
| ROLINE Cable UHD HDMI Active Optical (AOC), 8K, M/M, 20 m | 14.01.3485 – 1 |
| ROLINE Cable UHD HDMI Active Optical (AOC), 8K, M/M, 30 m | 14.01.3483 – 1 |
| ROLINE Cable UHD HDMI Active Optical (AOC), 8K, M/M, 50 m | 14.01.3487 – 1 |



**roline**<sup>®</sup>  
Designed for Professionals

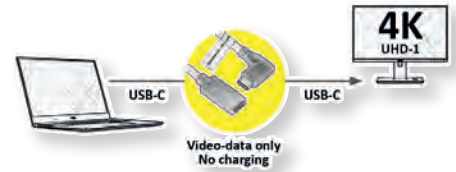


## ROLINE Type C Video Cable, USB-C (DP Alt. Mode) Extension Cable C-C, M/F

**4K** 2160p


### What is USB-C DisplayPort (DP Alt Mode) Cable?

- Cables with Type-C connector can offer DisplayPort technology via an alternative mode (Alt mode).
- Alt Mode allows USB-C ports to transfer data/video via multiple interfaces, including DisplayPort video interface
- The USB-C ports capable of transferring DisplayPort signals, are called USB-C DisplayPort or DP Alt Mode
- Allows to connect video sources (e.g. PCs, Blu-Ray players, etc.) and display devices (e.g. TVs, projectors, etc.) that support DisplayPort to each other via their USB-C ports
- The main confusion over USB-C DisplayPort cables emerges because not all USB-C ports, available on the hardware (e.g. notebooks...) features the DisplayPort Alt Mode functionality
- For screen transmissions in excellent quality with resolutions of up to 3840x2160 / 4096x2560 @60Hz!
- Angled 90° at one end


**Order-No. – P.U.**

ROLINE Type C Video Cable, USB-C (DP Alt. Mode) Extension Cable C-C, M/F, 2 m 11.04.5496 – 10

**roline**<sup>®</sup>  
 Designed for Professionals

## ROLINE DisplayPort Extender, 4K60, 30m

**4K** 2160p

**DisplayPort Repeater to create a point-to-point connection to reduce costs for applications that require a single DisplayPort input and output device over long distances - with up to 3840x2160 @60Hz resolution!**

- Ideal for display applications in conference rooms, classrooms & training facilities etc.
- Extend the DisplayPort signal up to 30 meters
- Supports DisplayPort resolutions up to 4K @60Hz
- Compliant with DisplayPort specification v1.2
- Compliant with HDCP 2.2 & DPCP
- Supports 4K 60Hz (max. length: 5m in; 5m out); 4K 30Hz (max. length: 15m in; 15m out); 2560 x 1600 60Hz (max. length: 10m in; 20m out)
- Supports DP++ Dual Mode, compatible with HDMI, DVI or VGA adapters
- HDTV compatible
- LED Indicator
- Plug & Play
- Power supply included in the scope of delivery (5 VDC, 1A)
- Contents: DisplayPort v1.2 Repeater, Power Supply (5V 1A), Quick Installation Guide

**roline**<sup>®</sup>  
 Designed for Professionals

**Order-No. – P.U.**

ROLINE DisplayPort Extender, 30m

14.01.3473 – 12



## ROLINE DisplayPort Extender, 8K60, 10m

**8K** 4320 ULTRA HD

**DisplayPort Repeater to create a point-to-point connection to reduce costs for applications that require a single DisplayPort input and output device over long distances - with up to 7680x4320 @60Hz resolution!**

- Ideal for display applications in conference rooms, classrooms & training facilities etc.
- Extend the DisplayPort signal up to 10/20 meters (depending on the resolution)
- Supports DisplayPort resolutions up to 8K @60Hz
- Compliant with DisplayPort specification v1.2
- Compliant with HDCP 2.2 & DPCP
- Supports 8K 60Hz (max. length: 5m in; 5m out), 4K 60Hz (max. length: 10m in; 10m out)
- HDTV compatible
- Plug & Play
- Power: via USB C cable (5 VDC, 2A)- not included.

**REMARK:**

Graphics card and display must support display stream compression (DSC) to use HDR 8K@30/60Hz, 4K@120Hz and 2K@240Hz  
 Picture shows 2 units

- Contents: DisplayPort Repeater, Quick Installation Guide

**Order-No. – P.U.**

ROLINE DisplayPort Extender, 8K60, 10m

14.01.3475 – 10


**roline**<sup>®</sup>  
 Designed for Professionals

VALUE DisplayPort Active Cable, v1.2, 4K

4K 2160p

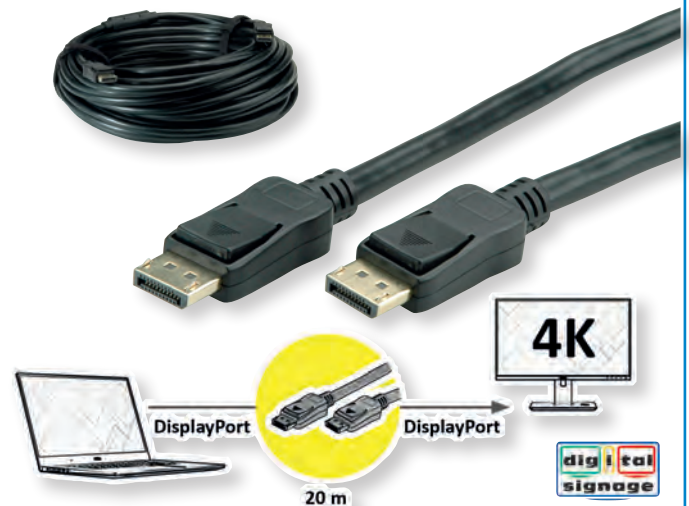
With our UHD (3840x2160 @60Hz) bi-directional DisplayPort cable you can connect up to 15/20 m between your devices. The active cable does not require a separate power supply.

- Total length of the end device distance (e.g. from notebook/laptop to beamer or PC to monitor): 15 / 20 meters
- Hardware solution, no software required
- A signal repeater is built into the connectors.
- The practical plug design prevents the cable from slipping out of the DisplayPort socket.
- Bidirectional: the cable can be used independently of the plug-in direction.
- Compliant DP v1.2 (max. 3840x2160 @60Hz)



Order-No. – P.U.

|   |                |
|---|----------------|
| VALUE DisplayPort Active Cable, v1.2, active, M/M, 15 m | 14.99.3495 – 2 |
| VALUE DisplayPort Active Cable, v1.2, active, M/M, 20 m | 14.99.3496 – 2 |



VALUE DisplayPort v1.4 Cable (AOC), 8K

8K 4320p

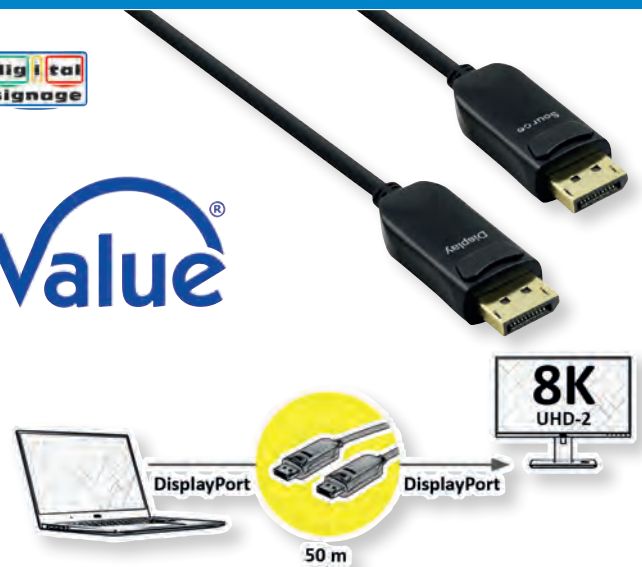
With our UHD (7680x4320 @60Hz) capable DisplayPort fiber optic cable you have the possibility to connect up to 50m between your devices. The active cable (AOC) does not require a separate power supply and is particularly suitable for installation in the cable duct due to its small diameter.

- Total length of the end device distance (e. g. from notebook/laptop to beamer or PC to monitor): up to 15, 20, 30 or 50 meters
- Hardware solution, no software required
- No external power supply required; the cable contains a copper fibre for power supply
- Small connector and cable dimensions; the cable has a smaller diameter than comparable cables made of pure copper due to the glass fibres.
- The practical plug design prevents the cable from slipping out of the DisplayPort socket.
- Compliant with DP v1.4 (max. 7680 x 4320 @60Hz)



Order-No. – P.U.

|   |                |
|---|----------------|
| VALUE DisplayPort v1.4 Cable (AOC), M/M, 15 m | 14.99.3466 – 1 |
| VALUE DisplayPort v1.4 Cable (AOC), M/M, 20 m | 14.99.3467 – 1 |
| VALUE DisplayPort v1.4 Cable (AOC), M/M, 30 m | 14.99.3468 – 1 |
| VALUE DisplayPort v1.4 Cable (AOC), M/M, 50 m | 14.99.3469 – 1 |



ROLINE DisplayPort Cables v1.4 (AOC), 8K

8K 4320p

With our UHD (7680x4320 @60Hz) capable DisplayPort fiber optic cable you have the possibility to connect up to 50m between your devices. The active cable (AOC) does not require a separate power supply and is particularly suitable for installation in the cable duct due to its small diameter.

- Total length of the end device distance (e. g. from notebook/laptop to beamer or PC to monitor): up to 15, 20, 30 or 50 meters
- Hardware solution, no software required
- A signal repeater is built into the connectors.
- No external power supply required; the cable contains a copper fibre for power supply



Order-No. – P.U.

|  |                |
|--|----------------|
| ROLINE DisplayPort v1.4 Cable (AOC), M/M, 15 m | 14.01.3491 – 1 |
| ROLINE DisplayPort v1.4 Cable (AOC), M/M, 20 m | 14.01.3493 – 1 |
| ROLINE DisplayPort v1.4 Cable (AOC), M/M, 30m  | 14.01.3490 – 1 |
| ROLINE DisplayPort v1.4 Cable (AOC), M/M, 50m  | 14.01.3492 – 1 |

- Small connector and cable dimensions; the cable has a smaller diameter than comparable cables made of pure copper due to the glass fibres.
- The practical plug design prevents the cable from slipping out of the DisplayPort socket





## VALUE VGA Video Splitters, 2-way

- Duplicates VGA video signals to two/four video outputs
- Applications: multimedia, presentations, demos, etc.
- Max. resolution (nominal): 1920 x 1440
- Video bandwidth: 250 MHz
- Supports DDC and DDC2 on Port 1
- Video input: 1x HD15 M,  
Video output: 2x HD15 F
- Contents: Video splitter (cable length: 65 cm + 30 cm USB cable for power supply)

Technical data: 14.99.3523  
 VGA input: 1x HD15 M  
 VGA output: 2x HD15 F  
 Video bandwidth: 250 MHz  
 Max. resolution (nominal): 1920 x 1440

Order-No. – P.U.

VALUE Portable VGA Video Splitter, 250 MHz, 2-way

14.99.3523 – 5



**Value**



## ROLINE VGA Video Splitter, 450 MHz, 2-way

- Applications
  - High Quality Multimedia Presentations
  - Video Conferencing
  - Education
  - Public Broadcasting Systems
  - Demos
- Duplicates one video signal to two outputs
- Supports 450 MHz bandwidth
- Max. resolution (nominal): 1920 x 1440
- DDC compatible
- USB Bus powered (USB power cable included)
- Cascadable
- Plastic casing
- Contents: Splitter, USB power cable (1.1m)

Technical Data: 14.01.3534  
 Input: 1x HD15 M  
 Output: 2x HD15 F  
 VGA bandwidth (-3db): 450MHz  
 Max resolution (nominal): 1920x1080  
 Cable distance: 30 m  
 Power supply: 5VDC; 0.5A

**roline**  
 Designed for Professionals



Order-No. – P.U.

ROLINE VGA Video Splitter, 450 MHz, 2-way

14.01.3534 – 3

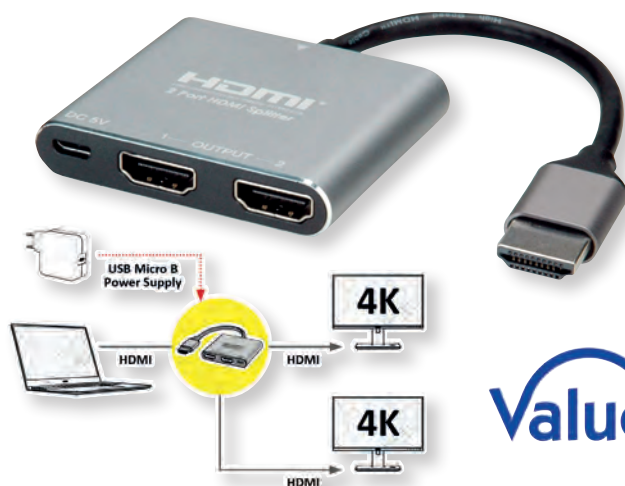
## VALUE HDMI Splitter, 4K, 2-way

**4K**

**For the connection of up to two HD-MI-capable display devices (monitor/TV/beamer) via HDMI source (Ultra-book, laptop/notebook, BluRay player, etc.) - allows mirroring on up to two display devices at a resolution of up to 3840x2160 @60Hz!**

- Duplicates a HDMI video signal to two HDMI video signals
- Connectors: 1 HDMI Input (e.g. BluRay/DVD-player), 2 HDMI outputs

- Max. resolution: 3840 x 2160 @60Hz
- Supports up to 5m cable on output side
- Plug & play, easy to install and simple to operate
- No software installation required
- Power supply is optional, but recommended (not included in the scope of delivery)
- Contents: splitter, manual



**Value**

Order-No. – P.U.

VALUE HDMI Splitter, 4K, 2-way

14.99.3585 – 10

## VALUE HDMI Splitter, 4K

**3D**  
capable

**4K**

**2160p**  
ULTRA HD

- Duplicates a HDMI video signal to two HDMI video signals with a 4K resolution
- Connectors: 1 HDMI Input (e.g. DVD-player), 2/8 HDMI outputs
- Supports 480i, 480p, 720i, 720p, 1080i, 1080p, 3840 x 2160 (@60Hz)
- Supports VGA, SVGA, XGA, UXGA
- Supports 3D
- Plug & play, easy to install and simple to operate
- No software installation required
- Contents: splitter, manual, power-supply



**digital**  
signage

**Value**

Order-No. – P.U.

VALUE HDMI Splitter, 4K2K, 2-way

14.99.3582 – 10

**ROLINE HDMI Splitter, 2/4-way**

**4K**

- Duplicates a HDMI video signal to two/four HDMI video signals
- Connectors: 1 HDMI Input (e.g. DVD-player), 2/4 HDMI outputs
- Supports 480i, 480p, 720i, 720p, 1080i, 1080p, 3840x2160 @30Hz
- Plug & play, easy to install and simple to operate
- No software installation required
- HDCP 1.3 compliant
- Contents: splitter, manual

**roline**  
Designed for Professionals



Order-No. – P.U.

|                             |                 |
|-----------------------------|-----------------|
| ROLINE HDMI Splitter, 2-way | 14.01.3555 – 10 |
| ROLINE HDMI Splitter, 4-way | 14.01.3553 – 2  |

**ROLINE HDMI Splitter, Ultra Slim, 2/4-way**

**4K**

- Duplicates a HDMI video signal to two/four HDMI video signals
- Connectors: 1 HDMI Input (e.g. DVD-player), 2/4 HDMI outputs
- Supports 480i, 480p, 720i, 720p, 1080i, 1080p, 4096x2160 @60Hz
- Plug & play, easy to install and simple to operate
- No software installation required
- Power supply via USB cable (A- micro B) (included)
- HDCP 2.2/ 1.4 compliant
- Contents: splitter, USB cable (A-micro B)
- **Dimensions (HxWxD mm):**  
 9 x 83 x 40 mm (14.01.3556)  
 9 x 113 x 40 mm (14.01.3557)

**roline**  
Designed for Professionals



Order-No. – P.U.

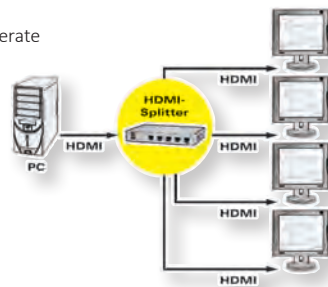
|   |                 |
|---|-----------------|
| ROLINE HDMI Splitter, Ultra Slim, 2-way | 14.01.3556 – 10 |
| ROLINE HDMI Splitter, Ultra Slim, 4-way | 14.01.3557 – 10 |

**ROLINE HDMI Splitter, 4K**

**4K 2160p**  
ULTRA HD

- Duplicates a HDMI video signal to 2/4 HDMI video signals with a 4K resolution
- Connectors: 1 HDMI Input (e.g. DVD-player), 2/4/8 HDMI outputs
- Supports 480i, 480p, 720i, 720p, 1080i, 1080p, 3840 x 2160 (@60Hz)
- Supports VGA, SVGA, XGA, UXGA
- Supports 3D
- Plug & play, easy to install and simple to operate
- No software installation required
- Contents: splitter, manual, powersupply

**roline**  
Designed for Professionals



Order-No. – P.U.

|                                 |                |
|---------------------------------|----------------|
| ROLINE HDMI Splitter, 4K, 2-way | 14.01.3585 – 5 |
| ROLINE HDMI-splitter, 4K, 4-way | 14.01.3586 – 5 |

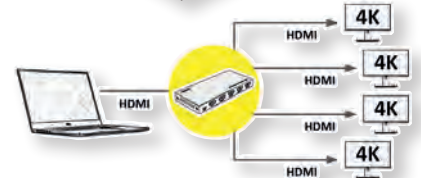
## VALUE HDMI Splitter, 4K, 2/4-way

NEW

4K

2160p  
ULTRA HD

- Duplicates a HDMI video signal to two/four HDMI video signals with a 4K resolution
- Connectors: 1 HDMI Input (e.g. DVD-player), 2 HDMI outputs
- Supports 480i, 480p, 720i, 720p, 1080i, 1080p, 3840 x 2160 (@60Hz)
- EDID selection switch
- Supports VGA, SVGA, XGA, UXGA
- Supports 3D
- Plug & play, easy to install and simple to operate
- No software installation required
- Support full 3D video format / high resolution up to 4K@60Hz YUV 4:4:4.
- Support HDCP 2.2 and HDCP 1.4 / High Dynamic Range (HDR) video.
- Support 600MHz/6Gbps per channel (18Gbps all channels) bandwidth / 12bit per channel (36bit all channels) deep color.
- Support uncompressed audio such as LPCM.
- Support compressed audio such as DTS, Dolby Digital (including DTS-HD Master Audio™ and Dolby True
- Contents: splitter, manual, power supply

Order-No. – P.U.

VALUE HDMI Splitter, 4K, 2-way

14.99.3583 – 4

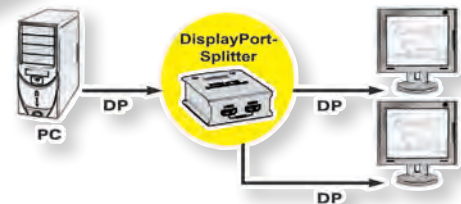
VALUE HDMI Splitter, 4K, 4-way

14.99.3584 – 4

## VALUE Display Port Splitter (Hub), 2 Ports

4K

- Offers solutions for digital entertainment center, conference room presentation, school and corporate training environments...
- This is a two ports DisplayPort hub, designed for transmitting signals from one DisplayPort source device to two DisplayPort displays
- This hub owns both SST and MST functions- which allow you to enjoy one picture with dual monitors or independent pictures on each monitor respectively
- Connected to earlier revisions of DisplayPort, the hub can act as a video splitter
- Support DisplayPort 1.2
- Max. resolution up to 4K@30Hz (3840x2160)
- HDCP 1.3 compliant
- EDID 1.4 compliant
- Power supply included in delivery (5 VDC, 2A)
- Contents: splitter, manual, power supply



Order-No. – P.U.

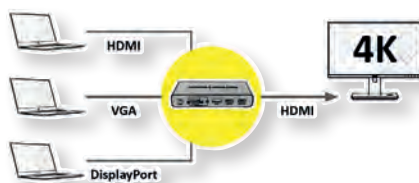
VALUE Display Port Splitter (Hub), 2 Ports

14.99.3590 – 5

## ROLINE HDMI/VGA/DP to HDMI Switch / Converter

- High performance video adapter, which supports three types of input sources (HDMI / DP / VGA) and one HDMI output
- Ideal for multimedia applications
- Support maximum resolution up to 4K (HDMI or DP 3840x2160 @60Hz) and up to 1080p (VGA)
- Easy to install and simple to use
- Source selection by- auto detect / IR remote / Select button on the front panel
- LED Status
- Power adapter (5VDC, 1A)

Designed for Professionals



Order-No. – P.U.

ROLINE HDMI/VGA/DP to HDMI Switch / Converter

14.01.3568 – 5



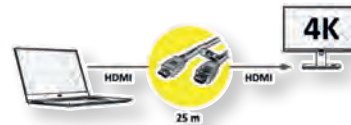
**ROLINE HDMI High Speed Cable with Repeater**

3D capable 1080p FULL HD

- For a total length of up to 30 meters between PC and monitor
- Hardware solution, no software required
- Integrated repeater without external power supply
- Dimensions of repeater: 15 x 23 x 75 mm
- Color: black
- Contents: cable with integrated repeater



**roline**<sup>®</sup>  
Designed for Professionals



|   | Order-No.  | P.U. |
|---|------------|------|
| ROLINE HDMI High Speed Cable w.Eth., M - M, with Repeater, 25 m (A) | 14.01.3458 | - 1  |
| ROLINE HDMI High Speed Cable, M - M, with Repeater, 30 m (B)        | 14.01.3465 | - 1  |

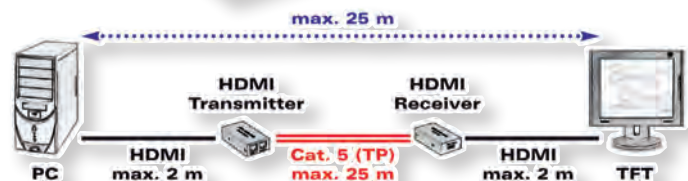
**VALUE HDMI Extender over TP**

3D capable 1080p FULL HD

- The transmission distance of the HDMI signal can be extended up to 25 meters by using two Cat. 5e/6 cables
- Max. resolution (nominal) while using two Cat.5e cables, 25 m: 1080p
- HDCP pass-through
- Stable metal casing
- Power supply included in delivery
- Contents: Transmitter (2x RJ-45 F, HDMI F), Receiver (2x RJ-45, HDMI F), 1x power supply (5V DC, 2A) for receiver, manual

**Technical Data:**

|                            |                       |
|----------------------------|-----------------------|
| Max. resolution (nominal): | 1.920 x 1.200, 1080p  |
| Local unit:                | 2x RJ-45 F, 1x HDMI F |
| Remote unit:               | 2x RJ-45 F, 1x HDMI F |
| Dimensions:                | 20 x 45 x 80 mm       |
| Power supply:              | DC 5V; 2A             |



|   | Order-No.  | P.U. |
|---|------------|------|
| VALUE HDMI Extender over Twisted Pair, 25 m | 14.99.3460 | - 5  |

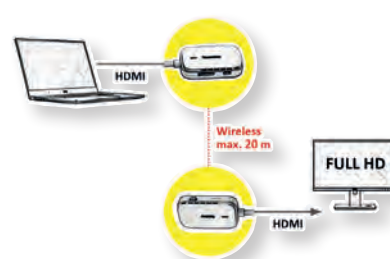
**VALUE Wireless Audio/Video System, HDMI**

1080p FULL HD

The practical VALUE Wireless HDMI Audio/Video System transmits an HDMI signal wirelessly from a video source such as a DVD player, PC/laptop or console to a TV, beamer/projector or monitor - in a Full HD resolution of 1920x1080 @60Hz and up to 20m (open space)!

The devices are connected via HDMI. The devices enable wireless transmission of the HDMI signal between transmitter and receiver over a distance of up to 20m (open space)!.

- Transmits an HDMI signal wirelessly
- Audio/video transmission up to 20m distance between source and display device
- Resolution: Supports Full HD (1920x1080 @60Hz)
- Low power consumption
- Automatic change of transmission channel if required
- Color: white
- Contents: Transmitter, receiver, 2x USB power cable, manual



|   | Order-No.  | P.U. |
|---|------------|------|
| VALUE Wireless Audio/Video System, HDMI, 20 m | 14.99.3414 | - 10 |

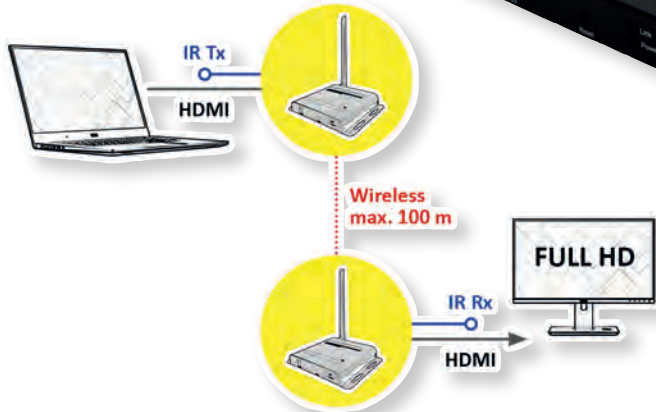
## VALUE Wireless Audio/Video System, HDMI

**1080p**  
 FULL HD

The practical VALUE Wireless HDMI Audio/Video System transmits an HDMI signal wirelessly from a video source such as a DVD player, PC/laptop or console to a TV, beamer/projector or monitor - in a Full HD resolution of 1920x1080 @60Hz and up to 100m range!

The devices are connected via HDMI. The antennas enable wireless transmission of the HDMI signal between transmitter and receiver over a distance of up to 100 meters. The HDMI signal is encrypted for secure transmission.

- Transmits an HDMI signal wirelessly
- Antennas for audio/video transmission up to 100m distance between source and display device
- Suitable for mounting under a tabletop or on the wall, for maximum flexibility
- Sturdy metal housing in black
- Resolution: Supports Full HD (1920x1080 @60Hz)
- 3D support
- HDCP compatible
- Contents: Sender, receiver, 2x power supply, manual



Order-No. – P.U.

VALUE Wireless Audio/Video System, HDMI, 100 m

14.99.3413 – 2

 dig i tal  
 signage

Value®

## VALUE Wireless Audio/Video System, HDMI

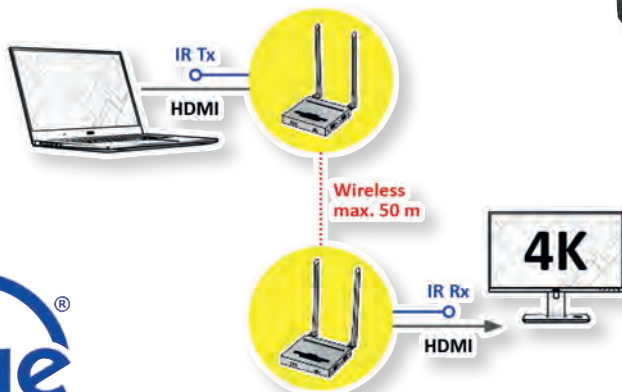
**2160p**

The practical VALUE Wireless HDMI Audio/Video System transmits an HDMI signal wirelessly from a video source such as a DVD player, PC/laptop or console to a TV, beamer/projector or monitor - in a resolution of 3840x2160 @60Hz and up to 50m range!

The devices are connected via HDMI. The antennas enable wireless transmission of the HDMI signal between transmitter and receiver over a distance of up to 50 meters.

The HDMI signal is encrypted for secure transmission.

- Transmits an HDMI signal wirelessly
- Antennas for audio/video transmission up to 50m distance between source and display device
- Suitable for mounting under a tabletop or on the wall, for maximum flexibility
- Sturdy metal housing in black
- Resolution: Supports 3840x2160 @60Hz
- 3D support
- HDCP compatible
- Contents: Sender, receiver, 2x power supply, manual



Order-No. – P.U.

VALUE Wireless Audio/Video System, HDMI, 50 m

14.99.3416 – 1



## ROLINE HDMI Extender over Twisted Pair, Cat.5/6, chainable

1080p  
FULL HD

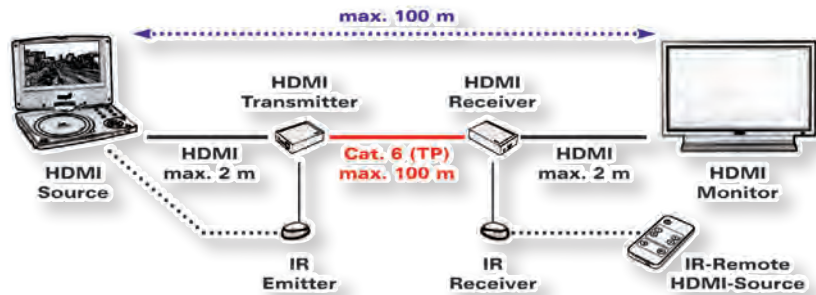
The transmission distance of the HDMI signal can be extended up to 100 m by using one Cat.5e or Cat.6 cable.

- Easily connect the transmitter and the receiver unit with a twisted pair cable of up to 100 m length
- Max. resolution (nominal) over 100 m: 1920 x 1200, 1080p
- Supports uncompressed HDMI signal
- Supports CEC pass-through
- Supports uncompressed audio stereo
- External infrared emitters- allow using the remote control of the source device

- Metal housing
- Power supply included in content of delivery
- Contents: Transmitter (1x RJ-45 F, 2x HDMI F), receiver (3x RJ-45 F, 1x HDMI F), infrared extender transmitter, infrared extender receiver, 2x power supply, 2x cables IR (1.1m), 2x serial cables (3.5mm/DB9F, 1.1m), manual



Technical data (14.01.3468):  
 Max. resolution (nominal): 1.920 x 1.200, 1080p  
 Transmitter: RJ-45 F, 2x HDMI F  
 Receiver: RJ-45 F, 1x HDMI F  
 Technical data (14.01.3469):  
 Max. resolution (nominal): 1.920 x 1.200, 1080p  
 Receiver: 3x RJ-45 F, 1x HDMI F  
 Dimensions: 115 x 91 x 28mm



**roline**<sup>®</sup>  
 Designed for Professionals

Order-No. – P.U.

|   |     |            |     |
|---|-----|------------|-----|
| ROLINE HDMI Extender over TP, Cat.5/6, chainable, 100 m | A+B | 14.01.3468 | - 1 |
| ROLINE HDMI Receiver over TP, for 14.01.3468, 100 m     | B   | 14.01.3469 | - 1 |



## VALUE HDMI Extender over Twisted Pair, 60m

NEW

1080p  
FULL HD

- The transmission distance of the HDMI signal can be extended up to 60 meters by using two Cat. 5e/6 cables
- Max. resolution (nominal) while using Cat.5e/6/6A cables, 60 m: 1080p
- HDCP pass-through
- Supports transmitting lossless uncompressed A/V signal
- IR signal transmission for easy control of the source device
- Stable metal casing
- Power supply included in delivery
- Contents: Transmitter (1x RJ-45 F, HDMI F), Receiver (1x RJ-45, HDMI F), 1x power supply (5V DC, 1A) for receiver, manual



**Value**<sup>®</sup>



Order-No. – P.U.

|  |  |            |     |
|--|--|------------|-----|
| VALUE HDMI Extender over Twisted Pair, 60m |  | 14.99.3569 | - 2 |
|--|--|------------|-----|

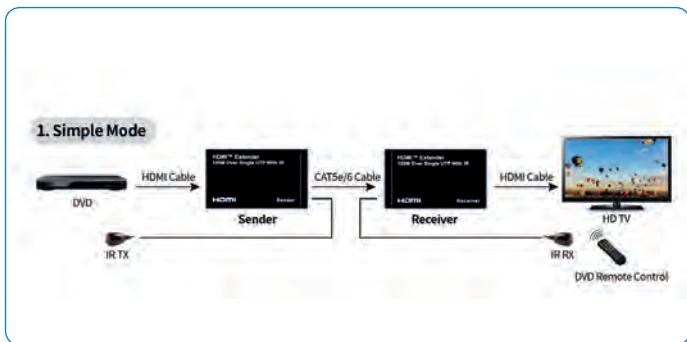


## ROLINE HDMI Extender over IP, 1080P, Cat.5/6

1080p

The transmission distance of the HDMI signal can be extended up to 120 m by using one Cat.5e or Cat.6 cable.

- Easily connect the transmitter and the receiver unit with a twisted pair cable of up to 120 m length
- Max. resolution (nominal) over 120m: 1920x1080, 1080p
- Supports uncompressed HDMI signal
- Supports CEC pass-through
- Supports uncompressed audio stereo
- External infrared emitters- allow using the remote control of the source device
- Metal housing
- Power supply included in content of delivery
- Contents: Transmitter (1x RJ-45 F, 1x HDMI F), receiver (1x RJ-45 F, 1x HDMI F), infrared extender transmitter, infrared extender receiver, 2x power supply, 2x cables IR (1.1m), manual



Order-No. – P.U.

ROLINE HDMI Extender over IP, 1080P, Cat.5/6, 120 m

14.01.3641 – 4

**roline**<sup>®</sup>  
Designed for Professionals



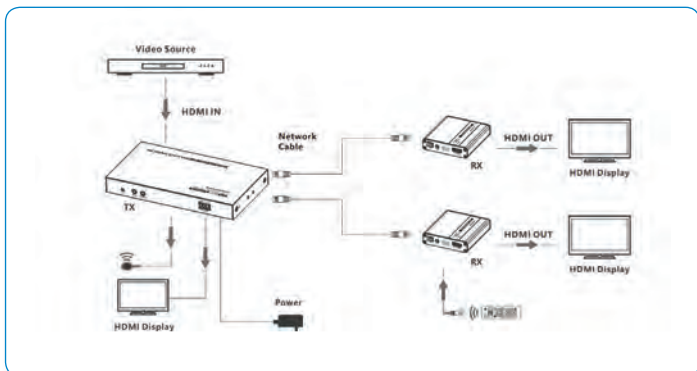
## VALUE HDMI Extender and Splitter over Twisted Pair, 4K@30Hz, 40m

4K

2160p

It is suitable for advertising, studios, multimedia classrooms, etc.

- HDMI extender kit with splitter functionality (1 input / 2 outputs)
  - It distributes 1 HDMI input signal to 2 identical signal outputs, extends these signals up to 40 meters
  - Max. supported resolution: 4K30Hz
  - Bi-directional IR passthrough
  - 3.5mm L/R audio output functions
  - Supported Audio Formats: PCM, LPCM, DTS-HD, DTS-Audio
  - Stable metal casing
  - Dimensions: TX: 151.5x86.5x19mm // RX: 75x80x18mm
  - Power supply included in delivery
- Contents: Transmitter, 2x Receiver, 3x power supply (RX: 2x 5VDC, 1A; TX: 1x 12 VDC, 1A), manual



Order-No. – P.U.

VALUE HDMI Extender and Splitter over Twisted Pair, 4K@30Hz, 40m 14.99.3464 – 4

**Value**<sup>®</sup>



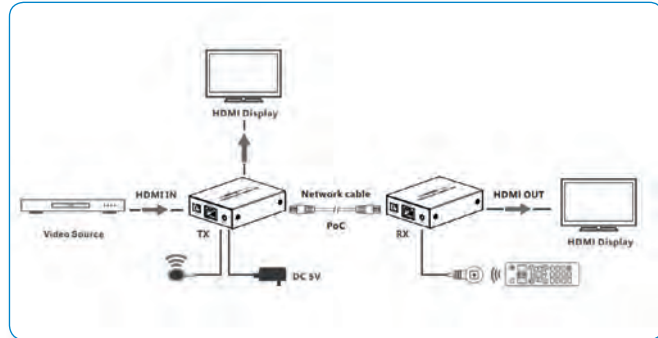
VALUE Audio/Video Extender, HDMI, via Cat.6A, 4K@60Hz

4K 2160p

The VALUE HDMI A/V extender transmits an HDMI signal from a source device like a DVD player, a PC/laptop or a console via Cat.6A cable to a display device like a TV, monitor or beamer/projector - with a resolution of up to 3840x2160 @60Hz (max. 40m)!

Audio / video transmission is via HDMI and Cat.6A cable. Up to 4K (3840x2160) @60Hz at a distance of up to 40m can be achieved.

- Transmits HDMI signals from source devices such as DVD players, PCs/laptops or consoles to a TV, monitor or beamer/projector.
- Resolution: 4K (3840x2160) @60Hz at up to 40m
- HDCP compatible
- Supports 3D video transmission
- Black metal housing
- Contents: transmitter, receiver, 1 power supply, manual



Order-No. – P.U.

VALUE Audio/Video Extender, HDMI, via Cat.6A, 4K@60Hz, 40m 14.99.3465 – 4

ROLINE HDMI 1x2 Extender/Splitter via Cat6A, 70m, 4K60Hz

NEW

4K 2160p ULTRA HD

The HDMI™ 1x2 Splitter extender is an ideal device for local displaying and remote viewing. It combines split function and extension function. It distributes the input of the HDMI™ signal into the local and remote outputs simultaneously, perfect for point-to-point digital signage applications that require high quality HDMI™ video up to 4K@60Hz 4:4:4. It also works to extend Infrared IR signals from remote controls, ideal for controlling your video source from your video destination.

Suitable for advertising, studios, multimedia classrooms, etc.

- Support high resolution up to 4K@60Hz YUV 4:4:4 at 70 meters.
  - Support HDCP 2.2 and HDCP 1.4.
  - Support High Dynamic Range (HDR) video.
  - Support EDID and HDCP bypass.
  - Support highest data transfer rate up to 6.0Gbps per channel (18Gbps all channels).
  - TMDS clock can be up to 600MHz
  - Support 12bit per channel (36bit all channels) deep color.
  - Support uncompressed audio such as LPCM.
  - Support compressed audio such as DTS, Dolby Digital.
  - Supports single ended power supply feature, 12V power transmitted from sender to receiver
  - Stable metal casing
  - Dimensions: TX/RX: 101 x 89 x 23mm
  - Power supply included in delivery
  - Contents: Transmitter, Receiver, power supply (RX: 1x 12 VDC, 1A), manual
- Input Port: 1x HDMI, 1x RJ45, 1x 3.5mm  
Output Port: 1x HDMI, 1x LOOP OUT, 1x RJ45, 1x 3.5mm



Order-No. – P.U.

ROLINE HDMI 1x2 Extender/Splitter via Cat6A, 70m, 4K60Hz 14.01.3643 – 2

## ROLINE HDMI over IP Extender 4K30Hz Rx+Tx, 120m, W/IR

NEW

4K

2160p  
ULTRA HD

### HDMI video extender via IP and twisted pair cable up to 120 meters at up to 4K 30Hz

Suitable for advertising, studios, multimedia classrooms, etc.

- Following TCP/IP standard
- Supports resolution up to 480p/720p/1080i/1080p/4K@30Hz at 120m
- Supports max video bandwidth to 3.4Gbps/340MHz per channel (10.2Gbps all channels)
- CAT5e/6 cable follows the standard of IEEE-568B
- Features IR return which enables you to control the video source from your video destination
- Features 2 extension modes: simple mode (1:1) and allocation mode (1:N)



**roline**<sup>®</sup>  
Designed for Professionals



Order-No. – P.U.

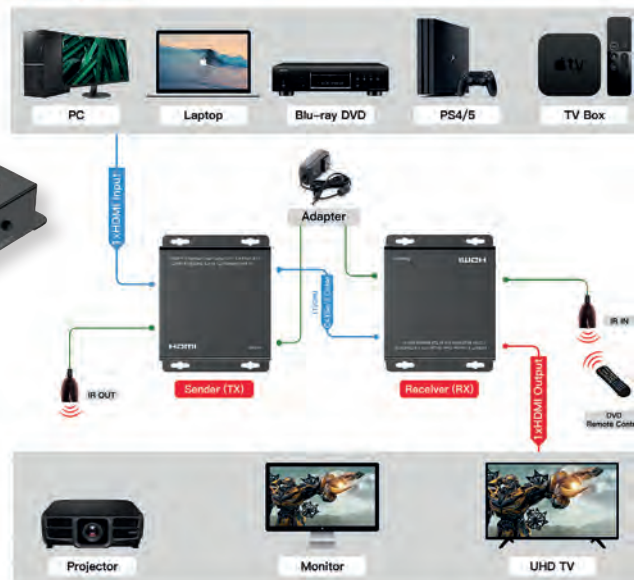
ROLINE HDMI over IP Extender 4K30Hz Rx+Tx, 120m, W/IR

14.01.3642 – 2

- Max. supported resolution: 4K30Hz
- Stable metal casing
- Dimensions: TX/RX: 120x95x24mm
- Power supply included in delivery

- Contents: 1x Transmitter, 1x Receiver, 2x power supply (TX: 1x 5 VDC, 1A, RX: 1x 5VDC, 1A), manual

### (1) Simple Mode



## VALUE HDMI Extender, IPCOLOR over IP, 4K60Hz, 120m

NEW

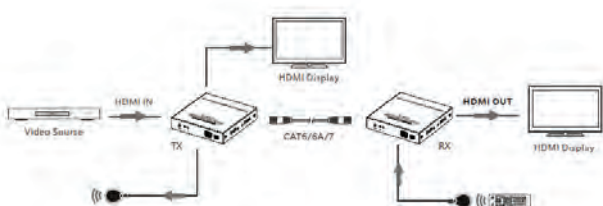
4K

2160p  
UHD-1

This product is a 4K@60Hz HDMI™ extender kit consisting of a transmitter and a receiver, using ipcolor STREAM technology for high-definition, low-latency transmission.

The 4K@60Hz HDMI™ signal can be extended up to 120m via Category 6 and above network cables, supporting one-to-one connection, one-to-many connections via gigabit switch, or switch cascades. Can be widely used in meetings, home entertainment, educational presentations, and other application fields.

- ipcolor STREAM technology (high-definition and low-latency transmission)
- Support up to 3840 x 2160@60Hz resolution
- Compatible with Cat5/5e/6 or above network cables,
- Max. transmission distance: with Cat.6 network cable is 120 m
- Support one-to-one / one-to-many connections through the gigabit switch
- The transmitter supports HDMI loop out
- Support IR passback (20 – 60kHz)

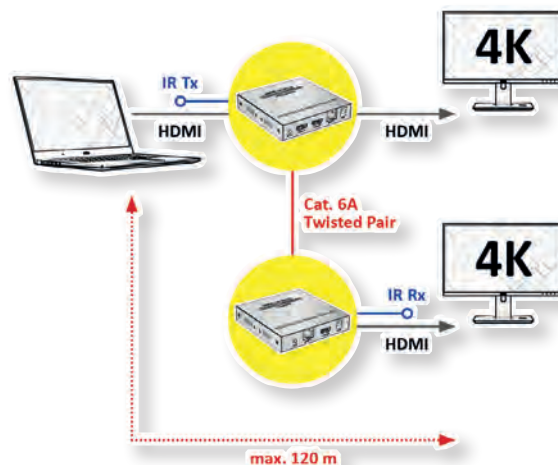


**Value**<sup>®</sup>

Order-No. – P.U.

VALUE HDMI Extender, IPCOLOR over IP, 4K60Hz, 120m

14.99.3568 – 1





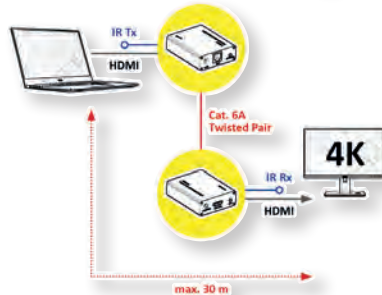
**ROLINE Audio/Video System, HDMI, via Cat.6A, 4K60Hz**

**4K** **2160p**  
UHD-1

The ROLINE HDMI A/V system transmits an HDMI signal from a source device like a DVD player, a PC/laptop or a console via Cat.6A cable to a display device like a TV, monitor or beamer/projector - with a resolution of up to 3840x2160 @60Hz (max. 30m) or 1920x1080 @60Hz (max. 45m)!

Audio / video transmission is via HDMI and CAT. 6a cable. Up to 4k (3840x2160) @60Hz at a distance of up to 30m can be achieved. At longer distances of up to 45m the resolution is reduced to Full HD (1920x1080) @60Hz.

- Transmits HDMI signals from source devices such as DVD players, PCs/laptops or consoles to a TV, monitor or beamer/projector.
- Resolution: 4k (3840x2160) @60Hz at up to 30m; Full HD (1920x1080) @60Hz at up to 45m
- HDCP compatible
- Supports 3D video transmission
- Black metal housing
- Contents: transmitter, receiver, 2 power supplies, manual



**roline**<sup>®</sup>  
Designed for Professionals

Order-No. – P.U.

ROLINE Audio/Video System, HDMI, via Cat.6A, 4K@60Hz, 30m/45m 14.01.3417 – 5

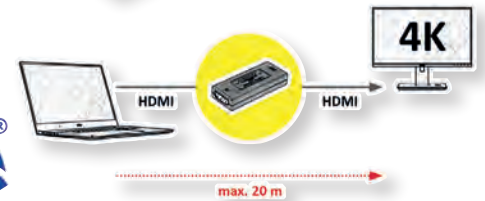
**VALUE Ultra HD HDMI Extender/Repeater, 4K60, 20m**

**4K** **2160p**  
UHD-1

Allows you to extend the transmission range of your HDMI connection by up to 20m in total. Supports a maximum resolution of up to 3840x2160 @60Hz!

This 4k2k HDMI repeater regenerates the incoming HDMI Signal by decoding and re-encoding it to a new standard HDMI signal, so it can extend the transmission range without degradation. Up to 20 meters transmission distance. The repeater supports a resolution up to Ultra HD (4K)

- Support 3D and up to 3840x2160 @60Hz
- Compliant with HDCP
- Compatible to Full-HD 1080P
- Frequency bandwidth: up to 340MHz
- Input/output resolution  
HD:480i@60Hz, 576i@50Hz, 480p@60Hz, 1080p@50Hz, 1080p@60Hz,1080i@50Hz, 1080p@30Hz, 1080p@25Hz, 1080p@24Hz, 2160P@30Hz, 2160P@60Hz
- Dimensions (WxHxD):  
14.99.3459: 28 x 13 x 51mm



Order-No. – P.U.

VALUE 4K HDMI Repeater, 20m

14.99.3459 – 20

**ROLINE Ultra HD HDMI Extender/Repeater, 8K60, 10m**

**NEW** **8K** **4320p**  
UHD-2

HDMI Repeater to create a point-to-point connection to reduce costs for applications that require a single HDMI Port input and output device over long distances - with up to 7680x4320 @60Hz resolution!

- Ideal for display applications in conference rooms, classrooms & training facilities etc.
- Extend the HDMI Port signal up to 10/20 meters (depending on the resolution)
- Supports HDMI resolutions up to 8K @60Hz
- Compliant with HDCP 2.2 & DPCP
- Supports 8K 60Hz (max. length: 5m in; 5m out), 4K 60Hz (max. length: 10m in; 10m out);
- HDTV compatible
- Supports DTS-HD / Dolby TrueHD / DTS / dolby-ac3 / DSD Audio formats
- Plug & Play
- Power: via USB C cable (5 VDC, 2A)- not included.

- Contents: HDMI Repeater, Quick Installation Guide



**roline**<sup>®</sup>  
Designed for Professionals

Order-No. – P.U.

ROLINE HDMI Extender, 8K60, 10m

14.01.3476 – 10

## VALUE HDMI Switch, Automatic, 3-way, Full HD / Ultra HD

1080p  
FULL HD / 4K

- Shows the Video output of 3 HDMI devices like e.g. DVD player, video camera or game console on one monitor
- Supports HDMI High Speed
- Video input can be switched automatically or by button on the switch
- Supports high-resolution display of up to max. 3840 x 2160@60Hz
- Supports uncompressed audio such as LPCM
- Supports compressed audio such as DTS Digital, Dolby Digital (including DTS-HD and Dolby True HD)
- No power supply needed
- Colour: Black
- Contents: HDMI switch



Order-No. – P.U.

VALUE HDMI Switch, Automatic, 3-way, Full-HD, 1080p 14.99.3565 – 5

VALUE HDMI Switch, Automatic, 3-way, 4K60, 2160p  14.99.3567 – 5


## ROLINE HDMI Switch, 4K, 3-way

4K 2160p  
ULTRA HD

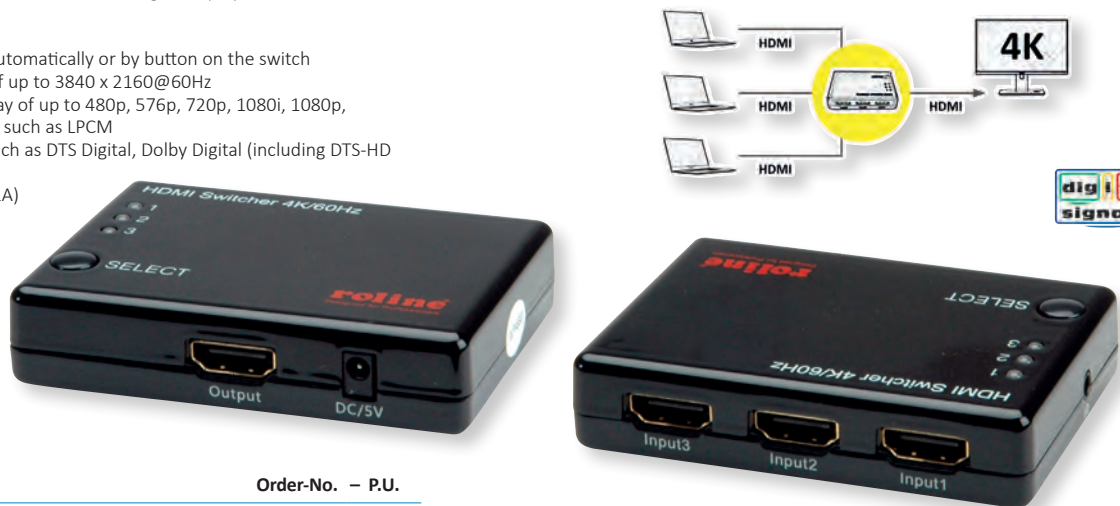
- Shows the Video output of 3 HDMI devices like e.g. DVD player, video camera or game console on one monitor
- Supports HDMI High Speed
- Video input can be switched automatically or by button on the switch
- Supports nominal resolution of up to 3840 x 2160@60Hz
- Supports high-resolution display of up to 480p, 576p, 720p, 1080i, 1080p,
- Supports uncompressed audio such as LPCM
- Supports compressed audio such as DTS Digital, Dolby Digital (including DTS-HD and Dolby True HD)
- Power supply needed (5VDC, 1A)
- Colour: Black
- Contents: HDMI switch



Designed for Professionals

Order-No. – P.U.

ROLINE 4K HDMI Switch, 3-way 14.01.3575 – 5




## ROLINE HDMI Switch 8K60, 2-way

8K 4320p

Displays the video output of up to 2 HDMI sources on a monitor or projector.

- Can switch two 8K HDMI sources to one 8K HDMI display.
- Supports HDMI High Speed
- Video input can be switched by button on the switch or by remote control
- Supports nominal resolution of up to 7680 x 4320 @60Hz
- Supports high-resolution display of up to 480p, 576p, 720p, 1080i, 1080p, 2160p
- Supports uncompressed audio such as LPCM
- Supports compressed audio such as DTS Digital, Dolby Digital (including DTS-HD and Dolby True HD)
- Power supply needed (5VDC, 1A)
- Colour: black

- Contents: HDMI Switch, USB power cable



Designed for Professionals

Order-No. – P.U.

ROLINE HDMI Switch, 8K60, 2-way 14.01.3592 – 10




**ROLINE HDMI 4x1 Switch, 8K60Hz with IR**

**NEW** **8K** **4320p**

**Displays the video output from 2 HDMI sources alternately on a monitor or a projector.**

- Example of use: An LCD monitor is supplied with power from two different HDMI sources such as a DVD player or notebook. The desired source can be selected at the push of a button. Or, if only one source is active at a time, the switch will automatically switch to it.
- Switching between the PCs is done with a button on the switch
- Supports 8K (7680x4320 @60Hz)
- Resolution: up to 480p, 720p, 1080i, 2160p, 4320p
- Installation is easy- no software, just connect the cables and you're done.
- Black body
- Powered by USB, USB cable (type A- micro B) included

Technical specifications:  
 • Input : 2x HDMI A socket  
 • Output: 1x HDMI A socket  
 • Contents:  
 HDMI Switch, USB cable type A-micro B, manual



**roline**  
 Designed for Professionals

Order-No. – P.U.

ROLINE HDMI 4x1 Switch, 8K60Hz with IR

14.01.3587 – 5



**VALUE HDMI 4x2 QUAD Multi-Viewer with Seamless Switch**

**NEW** **1080p FULL HD**

**Displays the video output of up to 4 HDMI sources on two monitors or projectors.**

- Application example: display device (monitor/TV/beamer) are powered by several HDMI sources such as BluRay players, etc. By pressing the button, the desired source can be selected for the displays or up to four sources at a time using different display options. Or, if only one source is active at a time, the switch automatically changes to this source.
- Switching between PCs is done via buttons on the switch or via remote control
- Supports 1080p (1920x1080 @60Hz), 4K@30Hz (3840x2160)
- Installation is possible without software- only the HDMI cables have to be connected to the Quad Multi Viewer.
- Flat, black metal housing
- Remote control and IR receiver included
- Power supply included in delivery

Technical data:  
 • Input: 4x HDMI A Female  
 • Output: 2x HDMI A Female  
 • Contents: HDMI Switch, main adapter, remote control



**Value**

Order-No. – P.U.

VALUE HDMI 4x1 QUAD Multi-Viewer with Seamless Switch

14.99.3592 – 2



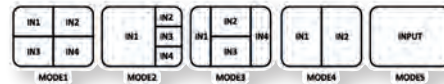
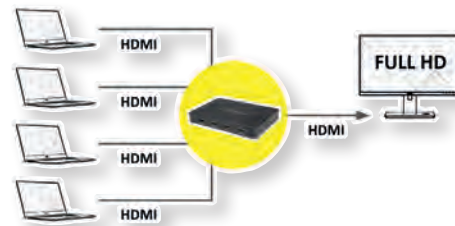


## ROLINE HDMI 4x1 QUAD Multi-Viewer with Seamless Switch

**1080p**  
FULL HD

### Displays the video output of up to 4 HDMI sources on a monitor or projector.

- Application example: A display device (monitor/TV/beamer) is powered by several HDMI sources such as BluRay players, etc. By pressing the button, the desired source can be selected for single display or up to four sources at a time using different display options. Or, if only one source is active at a time, the switch automatically changes to this source.
- Switching between PCs is done via buttons on the switch or via remote control
- Supports 1080p (1920x1080 @60Hz)
- Installation is possible without software- only the HDMI cables have to be connected to the Quad Multi Viewer.
- Flat, black metal housing
- Remote control and IR receiver included
- Power supply 12VDC; 2A included in delivery



### Technical data:

- Input: 4x HDMI A jack
- Output: 1x HDMI A jack
- Contents: HDMI Switch, main adapter, remote control


**Order-No. – P.U.**

ROLINE HDMI 4x1 QUAD Multi-Viewer with Seamless Switch

14.01.3569 – 5

**roline**<sup>®</sup>  
Designed for Professionals


## ROLINE HDMI 4x1 QUAD Multi-Viewer with Seamless Switch, 4K

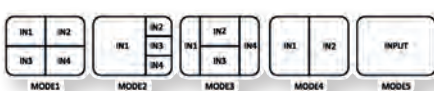
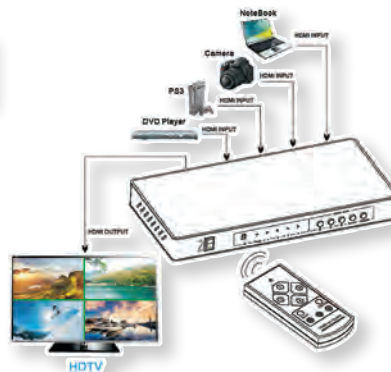
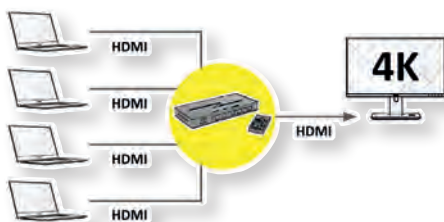
**NEW**
**4K**
**2160p**  
ULTRA HD

### Displays the video output of up to 4 HDMI sources on a monitor or projector.

- Application example: A display device (monitor/TV/beamer) is powered by several HDMI sources such as BluRay players, etc. By pressing the button, the desired source can be selected for single display or up to four sources at a time using different display options. Or, if only one source is active at a time, the switch automatically changes to this source.
- Switching between PCs is done via buttons on the switch or via remote control
- Supports 3840x2160 @60Hz
- Installation is possible without software- only the HDMI cables have to be connected to the Quad Multi Viewer.
- Flat, black metal housing
- Remote control and IR receiver included
- Power supply included in delivery

### Technical data:

- Input: 4x HDMI A Female
- Output: 1x HDMI A Female
- Contents: HDMI Switch, main adapter, remote control


**Order-No. – P.U.**

ROLINE HDMI 4x1 QUAD Multi-Viewer with Seamless Switch, 4K

14.01.3596 – 1

**roline**<sup>®</sup>  
Designed for Professionals


**VALUE 4K HDMI Matrix Switch, 4 x 2, with Remote Control**



- Four HDMI input signals can be switched to two HDMI output devices
- Outputs: 1x Toslink/SPDIF, 1x Stereo RCA
- Supports Ultra HD 4K@60Hz
- Max. resolution (nominal): 3840 x 2160 @60Hz
- Supports 480i, 480p, 720i, 720p,1080i and 1080p
- HDCP compatible
- Supports Blu-ray, UHD Blu-ray, satellite receiver, game consoles, PCs, etc.
- Supported digital audio formats: DTS-HD/Dolby-TrueHD/LPCM/DTS/Dolby-Digital
- Input devices can be switched by IR remote control or by push buttons on the switch
- Contents: Switch, power supply, remote control, manual
- Contents: HDMI Matrix Switch, power supply, remote control, QIG



Order-No. – P.U.

VALUE 4K HDMI Matrix Switch, 4 x 2, with Remote Control

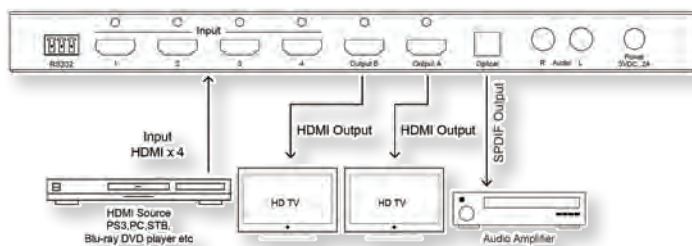
14.99.3591 – 5



**ROLINE 4K HDMI Matrix Switch, 4 x 2, with Remote Control**



- Four HDMI High Speed input signals can be switched to two HDMI High Speed output devices
  - Outputs: 1x Toslink/SPDIF, 1x Stereo RCA
  - Supports Ultra HD 4K@60Hz
  - Max. resolution (nominal): 3840 x 2160 @60Hz
  - Supports 480i, 480p, 720i, 720p,1080i and 1080p
  - HDCP compatible
  - Supports Blu-ray, UHD Blu-ray, satellite receiver, game consoles, PCs, etc.
  - Supported digital audio formats: DTS-HD/Dolby-TrueHD/LPCM7.1/DTS/Dolby-Digital
  - Input devices can be switched by IR remote control or by push buttons on the switch
- Contents: HDMI Matrix Switch, power supply, remote control, QIG



Order-No. – P.U.

ROLINE 4K HDMI Matrix Switch, 4 x 2, with Remote Control

14.01.3579 – 1



## VALUE 4K HDMI Matrix Switch, 4 x 4, with Remote Control

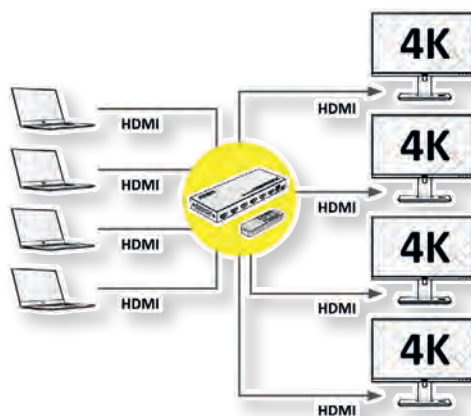
NEW

1080p  
FULL HD

- Four HDMI input signals can be switched to two HDMI output devices
  - Supports Ultra HD 4K@60Hz
  - Max. resolution (nominal): 3840 x 2160 @60Hz
  - Supports 480i, 480p, 720i, 720p, 1080i and 1080p
  - HDCP compatible
  - Supports Blu-ray, UHD Blu-ray, satellite receiver, game consoles, PCs, etc.
  - Supported digital audio formats: DTS-HD/Dolby-TrueHD/LPCM7.1/DTS/Dolby-Atmos
  - Input devices can be switched by IR remote control or by push buttons on the switch
- Contents: HDMI Matrix Switch, power supply, remote control, QIG



Value®



Order-No. – P.U.

VALUE 4K HDMI Matrix Switch, 4 x 4, with Remote Control

14.99.3593 – 2

## VALUE Bi-Directional DisplayPort Switch 4K60, 2-way, (1 to 2, 2 to 1)

4K

2160p

- Manual bidirectional DP switch for connecting different devices (e.g. DVD, Blu-ray player) with DP port.
  - Manual select push button to alternate between application modes
- Possible applications:
- 2x inputs to one output (2 to 1): Up to 2 different DP devices can be connected to a monitor, TV or projector, by pushing the button.
  - 1x input to two outputs (1 to 2): One DP device can be connected to up to 2 screens.
- A simultaneous output to multiple screens is not possible.

### Application 1

Input: 2 x DP  
Output: 1 x DP

### Application 2

Input: 1 x DP  
Output: 2 x DP

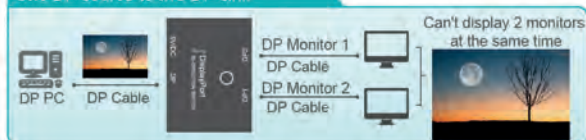
- Supports HDR
- DP port selection by button
- Resolution up to 3840 x 2160 (4K) 60 Hz (depending on the system and the connected hardware)
- No external power supply needed
- Plastic housing
- Colour: black
- Dual LEDs to display status
- Dimensions (LxWxH): 82 x 62 x 17 mm
- Contents: DP Switch



### Two DP source to one DP sink



### One DP source to two DP sink



Order-No. – P.U.

VALUE Bi-Directional DisplayPort Switch 4K60, 2-way, (1 to 2, 2 to 1)

14.99.3587 – 10



**VALUE Bi-Directional HDMI Switch 4K60, 2-way (1 to 2, 2 to 1)**

**4K** **2160p**

- Manual bidirectional HDMI switch for connecting different devices (e.g. DVD, Blu-ray player) with HDMI port.
- Manual select push button to alternate between application modes
- Possible applications:
  - Two inputs to one output (2 to 1): Up to 2 different HDMI devices can be connected to a monitor, TV or projector, by pushing the button.
  - One input to two outputs (1 to 2): One HDMI device can be connected to up to 2 screens.
- A simultaneous output to multiple screens is not possible.



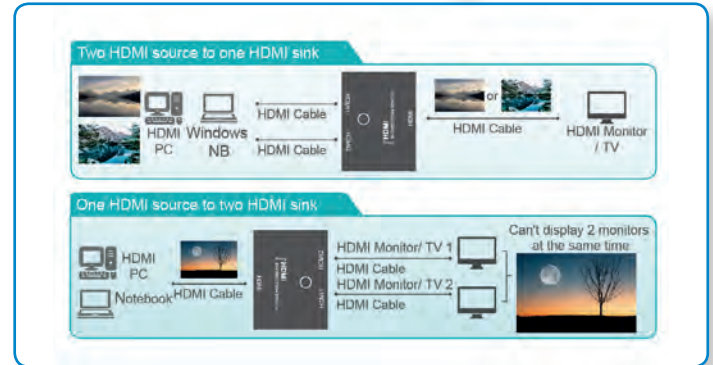
**Application 1**

Input: 2 x HDMI  
Output: 1 x HDMI

**Application 2**

Input: 1 x HDMI  
Output: 2 x HDMI

- Supports HDR
- HDMI port selection by button
- Resolution up to 3840 x 2160 (4K) 60 Hz (depending on the system and the connected hardware)
- No external power supply needed
- Plastic housing
- Colour: black
- Dual LEDs to display status
- Dimensions (LxWxH): 82 x 62 x 17 mm
- Contents: HDMI Switch



Order-No. – P.U.

VALUE Bi-Directional HDMI Switch 4K60, 2-way, (1 to 2, 2 to 1) 14.99.3586 – 10

**ROLINE HDMI - Bidirectional Switch, 2-way (1 to 2, 2 to 1)**

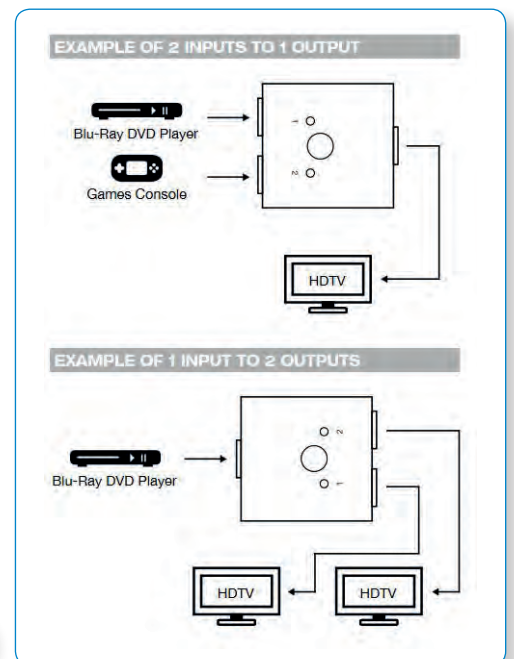
**4K** **2160p**

- Manual bidirectional HDMI switch for connecting different devices (e.g. DVD, Blu-ray player) with HDMI port.
- Manual select push button to alternate between application modes
- Possible applications:
  - 2x inputs to one output (2 to 1): Up to 2 different HDMI devices can be connected to a monitor, TV or projector, by pushing the button.
  - 1x input to two outputs (1 to 2): One HDMI device can be connected to up to 2 screens.
- A simultaneous output to multiple screens is not possible.

• Connections:  
Application 1  
Input: 2 x HDMI  
Output: 1 x HDMI

Application 2  
Input: 1 x HDMI  
Output: 2 x HDMI

- Supports HDR
- HDMI port selection by button
- Resolution up to 3840 x 2160 (4K) 60 Hz (depending on the system and the connected hardware)
- No external power supply needed
- Plastic housing
- Colour: black
- Dual LEDs to display status
- Dimensions (LxWxH): ca. 82 x 62 x 17 mm



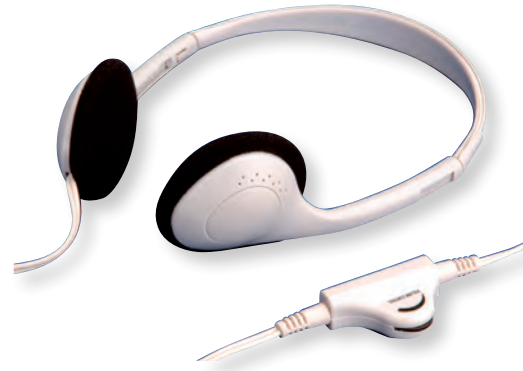
Order-No. – P.U.

ROLINE Bi-Directional HDMI Switch 4K60, 2-way, (1 to 2, 2 to 1) 14.01.3573 – 5



## VALUE Headset

- Ideal device for multimedia applications and video conferencing
- With integrated microphone (not 15.99.1316)
- With volume control on the cable
- Connection to PC over 3.5 mm stereo plug
- Cable length: ca. 1.8 m



Order-No. – P.U.

VALUE Stereo Headphone with Volume Control, light grey

15.99.1316 – 50

## VALUE Display Adapter, Virtual DP Emulator (EDID), 4K

4K

- Works with any graphics card that has DP output and acts exactly the same as real LCD monitor
- Up to 4K resolution can be simulated, 3840x2160@60Hz
- Compact design, small size
- Plug & Play
- Hot Plug
- No drivers, no configuration needed

EDID- Extended Display Identification Data – stands for data exchange between a display and a source device (e.g. graphic card). It allows to communicate its capabilities to the source device, to allow the source to generate the necessary video characteristics to match the needs of the display, without requiring a user to configure them manually. This reduces the potential for incorrect settings and adjustments

EDID information is typically exchanged when the video source starts up. The DDC specifications define a supply connection for the source to provide power to a display's EDID circuitry so that communication can be enabled, even if the display is powered off or isn't existing (therefore the use of an EDID emulator).

The EDID/DDC specifications support hot plug detection, so that EDID information can also be exchanged whenever a display is reconnected to a video source.

EDID emulation- is a feature which maintains EDID communication with source devices constantly available even in a switching application.



Order-No. – P.U.

VALUE Display Adapter, Virtual DP Emulator (EDID), 4K

14.99.3446 – 10

## VALUE Display Adapter, Virtual HDMI Emulator (EDID), 4K

4K

- Works with any graphics card that has HDMI output and acts exactly the same as real LCD monitor
- Up to 4K resolution can be simulated, 3840x2160@60Hz
- Compliant with HDCP
- Compact design, small size
- Plug & Play
- Hot Plug
- No drivers, no configuration needed

EDID- Extended Display Identification Data – stands for data exchange between a display and a source device (e.g. graphic card). It allows to communicate its capabilities to the source device, to allow the source to generate the necessary video characteristics to match the needs of the display, without requiring a user to configure them manually. This reduces the potential for incorrect settings and adjustments

EDID information is typically exchanged when the video source starts up. The DDC specifications define a supply connection for the source to provide power to a display's EDID circuitry so that communication can be enabled, even if the display is powered off or isn't existing (therefore the use of an EDID emulator).

The EDID/DDC specifications support hot plug detection, so that EDID information can also be exchanged whenever a display is reconnected to a video source.

EDID emulation- is a feature which maintains EDID communication with source devices constantly available even in a switching application.



Order-No. – P.U.

VALUE Display Adapter, Virtual HDMI Emulator (EDID), 4K

14.99.3447 – 10

## ROLINE Display Adapter, Virtual HDMI Emulator (EDID), 4K

4K

- Works with any graphics card that has HDMI output and acts exactly the same as real LCD monitor
- Up to 4K resolution can be simulated, 3840x2160@60Hz
- Compliant with HDCP
- Compact design, small size
- Plug & Play
- Hot Plug
- No drivers, no configuration needed



Order-No. – P.U.

ROLINE Display Adapter, Virtual HDMI Emulator (EDID), 4K

14.01.3416 – 30

**roline**  
Designed for Professionals

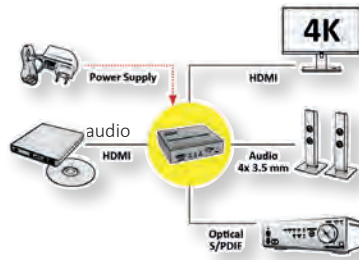
### ROLINE HDMI 4K Audio Extractor LPCM 7.1

4K

The ROLINE HDMI 4K2K Audio Extractor allows to uncouple audio signals from the HDMI signal.  
 Not all monitors have good speakers. With the extractor you can redirect the audio signals via S/PDIF (optical) or analog via 3.5mm ports on a speaker system, the pure image signal goes to the screen.

- Supports HDMI, HDCP 1.2
- Audio-rate (sampling frequency for S/PDIF as HDMI) to 192kHz
- Supports high bit-rate audio
- Supports video resolution up 4K2K and 3D
- HBR audio supported
- Supports CEC bypass
- Supports up to 4 x 3.5 mm phone jacks for analog multi-channel outputs

- Power supply (5 V DC, 2 A) included
- Contents: extractor, power adapter, user manual



**roline**<sup>®</sup>  
 Designed for Professionals

Order-No. – P.U.

ROLINE HDMI 4K Audio Extractor LPCM 7.1

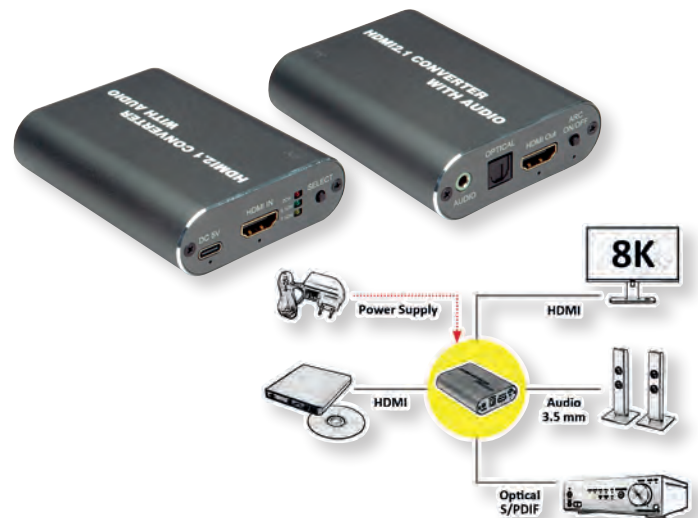
14.01.3442 – 10

### ROLINE HDMI 8K Audio Extractor LPCM 7.1

8K 4320p UHD-2 3D capable

The ROLINE HDMI 4K2K Audio Extractor allows to uncouple audio signals from the HDMI signal.  
 Not all monitors have good speakers. With the extractor you can redirect the audio signals via S/PDIF (optical) or analog via 3.5mm ports on a speaker system, the pure image signal goes to the screen.

- Supports HDMI, HDCP 1.2
- Audio-rate (sampling frequency for S/PDIF as HDMI) to 192kHz
- Supports high bit-rate audio
- Supports video resolution up 4K2K and 3D
- HBR audio supported
- Supports CEC bypass
- Supports up to 4 x 3.5 mm phone jacks for analog multi-channel audio outputs
- Contents: extractor, USB power supply cable, user manual



**roline**<sup>®</sup>  
 Designed for Professionals

Order-No. – P.U.

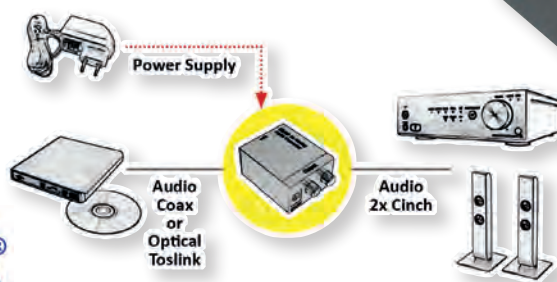
ROLINE HDMI 8K Audio Extractor LPCM 7.1

14.01.3444 – 10

### VALUE Audio Converter Digital to Analogue

Connects a LCD TV, CD/DVD player or set-top box with digital output to an analogue amplifier with stereo input.

- Converts digital audio signals from Toslink (optical) or RCA (coaxial) to analogue Stereo 2x RCA
- Supports up to 24bit/96kHz
- Power supply included
- Contents: Audio converter, power supply, manual



**Value**<sup>®</sup>

Order-No. – P.U.

VALUE Audio Converter - Digital to Analogue

14.99.3441 – 6



## VALUE / ROLINE Audio Adapters

**roline**  
Designed for Professionals

**Value**

Order-No. – P.U.

VALUE 3.5mm Adapter, 1x 3.5mm M to 2x 3.5mm F A 11.99.4440 – 100

VALUE 3.5mm Adapter, 1x 3.5mm M to 2x RCA F B 11.99.4441 – 100

ROLINE 4 Conductor 3.5 mm Stereo Plug (speaker+microphone), 15 cm C 11.09.4441 – 20

ROLINE 3.5 mm Stereo Coupler, F/F D 11.09.4442 – 10

ROLINE Stereo Adapter 3.5 mm Male - 6.35 mm Female E 11.09.4443 – 10

ROLINE Stereo Adapter 6.35 mm Male - 3.5 mm Female F 11.09.4444 – 10

• Audio Y-cable for connection of a speaker/headphone with volume control

• Connectors:

- 1x 3.5 mm stereo plug M, 3-pole, for connection to a speaker output, eg on the PC or iPod
- 2x 3.5 mm jack, 3-pole, for connecting speakers or headphones

- Volume control for both lines, separately adjustable for each output line
- Length: 30 cm

Order-No. – P.U.

ROLINE Y Audio Cable with 3.5 mm Stereo Plug (2x speaker lines) 11.09.4439 – 25



**roline**  
Designed for Professionals

## VALUE A/V Modules

Multimedia connection system: computer, video, audio, control or network connections can be easily integrated with the modular multimedia connection system in switch programs. With the unsightly, lying around or hanging cables is now finally concluded. The system is cost-effective and future-proof as it can be expanded at any time to new interfaces.

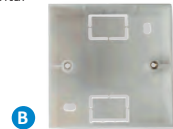
## 25.99.8200 - VALUE A/V Faceplate, 86x86mm

- Triple gang, 86mm x 86mm
- White plastic triple gang frame
- Triple 44 x 66 mm wide aperture for 3 x 22mm modules
- Color: White



## 25.99.8201 - VALUE A/V Wall Cup, 86x86mm

- Flush wall mounted back boxes for AV wall plates
- The boxes are designed to be quickly fitted into partitioned walls (horizontally or vertically)
- Cable access points and standard fixing centres for face plates
- This AV back box is 42mm deep to allow most AV wall plates to fit
- Wall cup, 86mm x 86mm x 42mm
- Color: White



## 25.99.8202 - VALUE A/V Module (2xAudio, 1x Video)

- Ideal for home offices, conference rooms, classrooms, board rooms
- Plug-in installation on both sides of the plate, no soldering necessary
- Plus three phono connections for composite video plus audio
- Connection: RCA Composite Video Audio Male Jacks
- Color: White



## 25.99.8203 - VALUE A/V Module (HDMI F adapter,angled)

- Ideal for home offices, conference rooms, classrooms, board rooms
- Wall plate HDMI socket
- For use with HDMI cables
- This convenient wall plate has a female connector on the front and back for easy installation
- The rear socket is aligned such that a side entry HDMI cable should pass through one the side knock-outs in a wall cup (25.99.8201)



**REMARK:** Depending on the used plug size some modification may be necessary, no additional possibility for using another A/V module type in the same wall cup

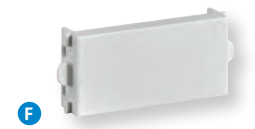
## 25.99.8204 - VALUE A/V Module (USB 2.0 Type A)

- Ideal for home offices, conference rooms, classrooms, board Mount an external USB port quickly and easily with our USB face plates
- Easy to install
- Compliant USB 2.0
- Color: White
- 1 x USB-A Female



## 25.99.8205 - VALUE A/V Module - Blind plate

- Protects your wall mount from dust
- Easy to install and remove
- Color: White



**Value**

Order-No. – P.U.

VALUE A/V Faceplate, 86x86mm, white A 25.99.8200 – 20

VALUE A/V Wall Cup, 86x86mm, white B 25.99.8201 – 5

VALUE A/V Module (2xAudio, 1x Video) C 25.99.8202 – 20

VALUE A/V Module (HDMI F adapter,angled) D 25.99.8203 – 20

VALUE A/V Module (USB 2.0 Type A) E 25.99.8204 – 20

VALUE A/V Module - Blind plate F 25.99.8205 – 20





## UPS Systems / Power Distribution

# 7

|  |             |
|--|-------------|
| Line-Interactive UPS . . . . .           | 7.02 – 7.03 |
| Online UPS . . . . .                     | 7.03        |
| EV Charging Cables . . . . .             | 7.04 – 7.05 |
| Power Strips . . . . .                   | 7.06 – 7.09 |
| Universal Power Adapters . . . . .       | 7.09        |
| USB Wall Mount Chargers . . . . .        | 7.10 – 7.11 |
| USB Power Stations . . . . .             | 7.12        |
| USB Car Chargers . . . . .               | 7.12        |
| PDU for Cabinets . . . . .               | 7.12 – 7.14 |
| IP Power Strip / Remote Switch . . . . . | 7.15        |
| Power Cords . . . . .                    | 7.16 – 7.18 |

## VALUE UPS, Line-Interactive, USB Port

## Quality Protection for Small Servers, Workstation &amp; PC

- Line interactive design
- Boost and buck AVR (Auto voltage regulation)
- Fully digitized microprocessor controlled
- Energy saving function (UPS green mode)
- 50/60Hz frequency auto sensing and selection
- Cold start function (DC power on)
- Lightning and surge protection
- Short circuit and overload protection
- Advanced battery management (ABM technology)

- Tel/Modem internet surge suppression
- Smart USB communication port
- Automatically charging when UPS off
- History record of power failure events
- Back up, on-line, battery status, power status display by software
- Schedule shutdown & reboot
- Windows 98/Me/NT/2000/XP/2003/7/8/10
- Contents: UPS, Software, Cable-Set



| Description                                   | Output (VA/W) | Backup time | Dimensions (HxWxD) | Weight | Internal cooling | Order-No.  | - P.U. |
|---|---------------|-------------|--------------------|--------|------------------|------------|--------|
| VALUE UPS, Line-Interactive, 400VA, USB Port  | 400 / 240     | 4 min       | 135 x 97 x 320 mm  | 4.5 kg | Passive          | 19.99.3424 | - 1    |
| VALUE UPS, Line-Interactive, 600VA, USB Port  | 600 / 420     | 4 min       | 135 x 97 x 320 mm  | 4.5 kg | Passive          | 19.99.3426 | - 1    |
| VALUE UPS, Line-Interactive, 800VA, USB Port  | 800 / 480     | 3 min       | 135 x 97 x 320 mm  | 6.5 kg | Passive          | 19.99.3428 | - 1    |
| VALUE UPS, Line-Interactive, 1200VA, USB Port | 1200 / 720    | 3 min       | 192 x 382 x 130 mm | 14 kg  | Passive          | 19.99.3430 | - 1    |

## Special Battery for UPS Systems

- Maintenance free spare battery for all actual and former UPS models
- Spare battery for e.g. ROLINE, APC, EATON, VALUE, Fujitsu, Effekta, POWERWARE, AEG, FISKARS, BESTPOWER and others
- Contents: Battery



| Description                      | Dimensions (HxWxD) | Weight | Order-No.  | - P.U. |
|----------------------------------|--------------------|--------|------------|--------|
| Special Battery for UPS 12V 7Ah  | 100x65x155 mm      | 2.6 kg | 19.49.1207 | - 1    |
| Special Battery for UPS 12V 9Ah  | 100x65x155 mm      | 3 kg   | 19.49.1209 | - 1    |
| Special Battery for UPS 12V 12Ah | 100x100x155 mm     | 3.9 kg | 19.49.1212 | - 1    |
| Special Battery for UPS 12V 17Ah | 167x76x181 mm      | 5.8 kg | 19.49.1217 | - 1    |
| Special Battery for UPS 12V 5Ah  | 107x70x90 mm       | 1.8 kg | 19.49.1205 | - 1    |

## ROLINE LineSecure III – Line Interactive UPS

LineSecure UPS's work with the „buck & boost“ line interactive technology; used when reliable protection against strong voltage fluctuations is essential. Protect against: power failure, power sag, power surge, under voltage, over voltage.

## Product features:

- Compact, quiet, user-friendly
- Desktop and 19" RM models
- Short circuit and overload protection
- AVR (Automatic Voltage Regulation)
- ABM (Automatic Battery Management) increases battery life up to 50%
- Telephone/Modem connections
- Shutdown software including License for 1 server
- Serial Port for advanced Power Management Software (incl. in content of delivery)
- UPS Management Software :  
Windows NT/ 2k / XP / 7 / 8 / 10 / Server 2003 / 2008 / 2012 x86/x64, MAC OS X (Intel) 10.6.x, 10.7.x, 10.8.x Mountain Lion, 10.9.x Mavericks/MAC OS
- Contents: UPS, Software, Cable Set



**roline** ups



DATA CENTER  
Product

DATA CENTER  
Product



| Description                            | Output (VA/W) | Backup time | Dimensions (HxWxD) | Weight  | Internal cooling | Order-No.  | - P.U. |
|--|---------------|-------------|--------------------|---------|------------------|------------|--------|
| ROLINE LineSecure III 1000 Tower       | 1000/800      | 3 min       | 140 x 380 x 210    | 14 kg   | Active, fan      | 19.40.1122 | - 1    |
| ROLINE LineSecure III 1500 Tower       | 1500/1200     | 3 min       | 140 x 380 x 210    | 15 kg   | Active, fan      | 19.40.1123 | - 1    |
| ROLINE LineSecure III 2000 Tower       | 2000/1300     | 3 min       | 140 x 380 x 210    | 17,5 kg | Active, fan      | 19.40.1124 | - 1    |
| ROLINE LineSecure III 3000 Tower       | 3000/2400     | 3 min       | 170 x 450 x 226    | 25,4 kg | Active, fan      | 19.40.1125 | - 1    |
| ROLINE LineSecure III 1000 Rackmount   | 1000/800      | 3 min       | 428 x 431 x 84     | 14,4 kg | Active, fan      | 19.40.1126 | - 1    |
| ROLINE LineSecure III 1500 Rackmount   | 1500/1200     | 3 min       | 428 x 431 x 84     | 16,7 kg | Active, fan      | 19.40.1127 | - 1    |
| ROLINE LineSecure III 2000 Rackmount   | 2000/1300     | 3 min       | 428 x 431 x 84     | 18,8 kg | Active, fan      | 19.40.1128 | - 1    |
| ROLINE LineSecure III 3000 Rackmount   | 3000/2400     | 3 min       | 428 x 562 x 84     | 26,5 kg | Active, fan      | 19.40.1129 | - 1    |
| ROLINE LineSecure III Web/SNMP Card    | RJ45          |             | 68 x 60 x 69       | 0,15 kg |                  | 19.40.2021 | - 1    |
| ROLINE USV 19"Rail Kit 1/2/3U 50-90 cm |               |             | 50-90 cm 1/2/3 UH  |         |                  | 19.40.2165 | - 1    |



**ROLINE DesignSecure – Line Interactive UPS**

- Compact designed UPS in futuristic design
- For Workstations and PCs
- LineInteractive UPS
- AVR (Automatic Voltage Regulation)
- Digital status display
- Integrated overvoltage protection
- Telephone/Modem connections
- USB Port for advanced Power Management Software (incl. in content of delivery)
- EMI/RFI Noise Filter
- Dimensions (HxLxW) 168 x 105 x 334 mm
- Backup Time: up to 4 Minutes
- Contents: UPS, Software, Cable Set

**Technical data:**  
 Input:  
 Voltage: 230 V +/- 25%  
 Frequency: 50 Hz +/- 10% (automatic detection)  
 Breaker or protection for overload and short circuit  
 Automatic UPS shut down in case of overload  
 Output (battery mode):  
 Voltage: simulated sinus at 230 V +/- 5%  
 Frequency: 50 Hz +/- 1Hz  
 Circuit time: 2/4 milliseconds reaction time  
 Voltage regulation (AVR): 9% - 25% to nominal voltage  
 Telephone protection  
 Short circuit protection



| Description              | Output (VA/W) | Backup time | Dimensions (HxWxD) | Weight | Internal cooling | Order-No. – P.U. |
|--------------------------|---------------|-------------|--------------------|--------|------------------|------------------|
| ROLINE DesignSecure 525  | 525/315       | 3 min       | 168 x 105 x 334 mm | 5.8 kg | Passive          | 19.40.1205 – 1   |
| ROLINE DesignSecure 625  | 625/375       | 3 min       | 168 x 105 x 334 mm | 6.4 kg | Passive          | 19.40.1206 – 1   |
| ROLINE DesignSecure 825  | 825/495       | 2 min       | 168 x 105 x 334 mm | 6.3 kg | Passive          | 19.40.1208 – 1   |
| ROLINE DesignSecure 1200 | 1200/720      | 3 min       | 168 x 105 x 334 mm | 14 kg  | Passive          | 19.40.1212 – 1   |
| ROLINE DesignSecure 2000 | 2000 / 1200   | 2 min       | 192 x 130 x 382 mm | 16 kg  | Passive          | 19.40.1220 – 1   |

**ROLINE ProSecure II / III – Online UPS**

**The ROLINE ProSecure Series - for optimum power protection is a truly state of the art online double conversion UPS, ideal for all essential computer systems and servers. Protects against: power failure, power sag, power surge, under voltage, over voltage, switch transient, line noise, frequency variation, harmonic distortion.**

Product features:

- Cold start function (DC power on)
- Lightning and surge protection
- Battery replacement warning
- Emergency Power Off function
- Battery remain time display
- LCD display front panel
- Power factor correction
- Support USB communication
- Multiple language LCD display
- On line output voltage selected
- Hot swappable battery by user
- True on-line technology provides all power protection
- Pure sine-wave output with less than 3% THD
- Fully digitized microprocessor controlled
- Short Circuit and overload protection
- Advanced management (ABM)



- Automatic battery charge in UPS off mode
- Automatic diagnostics & battery check
- RS-232 communication port with monitoring software
- Network/fax/modem surge protection
- Extended back up time with battery pack
- Load segmentation receptacles controllable
- High efficiency mode selectable
- Fan speed auto control when loads varies
- UPS Management Software:  
 Windows NT/ 2k / XP / 7 / 8 / 10 / Server 2003 / 2008 / 2012 x86/x64, MAC OS X (Intel) 10.6.x, 10.7.x, 10.8.x Mountain Lion, 10.9.x Mavericks/MAC OS
- Contents: UPS, Software, Cable Set

**Technical data:**

Input:  
 Input voltage range: 160 VAC - 276 VAC  
 Frequency: 50 Hz  
 Input power factor: 0.97  
 Freq. window from mains: 45 - 65 Hz  
 Synchronization window: ± 3 Hz  
 Output:  
 Output voltage: 208/220/230/240 VAC, selectable from LCD panel  
 Voltage regulation: ± 2%  
 Voltage distortion: < 5% THD at full non-linear load, < 3% THD at full linear load  
 Overload capacity: 100 - 125% 1 min., 125 - 150% 10 sec  
 Efficiency: greater than 86%



| Description  | Output (VA/W)         | Backup time | Dimensions (HxWxD)      | Weight | Internal cooling | Order-No. – P.U. |
|--|-----------------------|-------------|-------------------------|--------|------------------|------------------|
| ROLINE ProSecure II 700 - Online UPS                                 | 700 / 490             | 5 min       | 235 x 155 x 410 mm      | 15 kg  | Active, fan      | 19.40.1081 – 1   |
| ROLINE ProSecure II 1000 - Online UPS                                | 1000 / 700            | 6 min       | 235 x 155 x 410 mm      | 16 kg  | Active, fan      | 19.40.1082 – 1   |
| ROLINE ProSecure II 1500 - Online UPS                                | 1500 / 1050           | 5 min       | 235 x 155 x 410 mm      | 20 kg  | Active, fan      | 19.40.1083 – 1   |
| ROLINE ProSecure II 2000 - Online UPS                                | 2000 / 1400           | 6 min       | 365 x 216 x 405 mm      | 31 kg  | Active, fan      | 19.40.1084 – 1   |
| ROLINE ProSecure II 3000 - Online UPS                                | 3000 / 2100           | 5 min       | 365 x 216 x 405 mm      | 37 kg  | Active, fan      | 19.40.1085 – 1   |
| ROLINE ProSecure II 700 RM1U - Online UPS, 19" Rack Version          | 700 / 490             | 4 min       | 44 x 428 x 610 mm; 1 UH | 16 kg  | Active, fan      | 19.40.1086 – 1   |
| ROLINE ProSecure II 1000 RM1U - Online UPS, 19" Rack Version         | 1000 / 700            | 2 min       | 44 x 428 x 610 mm; 1 UH | 16 kg  | Active, fan      | 19.40.1087 – 1   |
| ROLINE ProSecure II 700 RM2U - Online UPS, 19" Rack Version          | 700 / 490             | 6 min       | 88 x 428 x 425 mm; 2 UH | 16 kg  | Active, fan      | 19.40.1088 – 1   |
| ROLINE ProSecure II 1000 RM2U - Online UPS, 19" Rack Version         | 1000 / 700            | 5 min       | 88 x 428 x 425 mm; 2 UH | 17 kg  | Active, fan      | 19.40.1089 – 1   |
| ROLINE ProSecure II 1500 RM2U - Online UPS, 19" Rack Version         | 1500 / 1050           | 5 min       | 88 x 428 x 425 mm; 2 UH | 18 kg  | Active, fan      | 19.40.1090 – 1   |
| ROLINE ProSecure II 2000 RM2U - Online UPS, 19" Rack Version         | 2000 / 1400           | 6 min       | 88 x 428 x 610 mm; 2 UH | 32 kg  | Active, fan      | 19.40.1091 – 1   |
| ROLINE ProSecure II 3000 RM2U - Online UPS, 19" Rack version         | 3000 / 2100           | 5 min       | 88 x 428 x 610 mm; 2 UH | 32 kg  | Active, fan      | 19.40.1092 – 1   |
| ROLINE ProSecure III 1000 - Online UPS                               | 1000 / 900            | 3 min       | 238 x 152 x 420 mm      | 14 kg  | Active, fan      | 19.40.1062 – 1   |
| ROLINE ProSecure III 1500 - Online UPS                               | 1500 / 1350           | 5 min       | 235 x 155 x 410 mm      | 20 kg  | Active, fan      | 19.40.1063 – 1   |
| ROLINE ProSecure III 2000 - Online UPS                               | 2000 / 1800           | 3 min       | 358 x 225 x 420 mm      | 31 kg  | Active, fan      | 19.40.1064 – 1   |
| ROLINE ProSecure III 3000 - Online UPS                               | 3000 / 2700           | 5 min       | 365 x 216 x 405 mm      | 37 kg  | Active, fan      | 19.40.1065 – 1   |
| ROLINE ProSecure III 1000 RM2U - Online UPS, 19" Rack Version, black | 1000 / 900 @ Pf. 0,9  | 3 min       | 88 x 428 x 425 mm; 2 UH | 17 kg  | Active, fan      | 19.40.1069 – 1   |
| ROLINE ProSecure III 1500 RM2U - Online UPS, 19" Rack Version, black | 1500 / 1350 @ Pf. 0,9 | 3 min       | 88 x 428 x 425 mm; 2 UH | 18 kg  | Active, fan      | 19.40.1070 – 1   |
| ROLINE ProSecure III 2000 RM2U - Online UPS, 19" Rack Version, black | 2000 / 1800 @ Pf. 0,9 | 3 min       | 88 x 428 x 610 mm; 2 UH | 32 kg  | Active, fan      | 19.40.1071 – 1   |
| ROLINE ProSecure III 3000 RM2U - Online UPS, 19" Rack Version, black | 3000 / 2700 @ Pf. 0,9 | 3 min       | 88 x 428 x 610 mm; 2 UH | 33 kg  | Active, fan      | 19.40.1072 – 1   |

## ROLINE EV Charging Cable Assembly Type2 Mode3, 1-Phase / 3-Phase, 250/480VAC, <22kW

Electromobility is rising worldwide, and latest when you decided to purchase an electric car, you need to know what is an electric car charging cable and what kind of cable you need. One thing is essential whether you want to charge your electric vehicle at home, at work or at a public station:

- The outlet of the charging station has to match the outlet of your car, the cable that connects the charging station with your vehicle has to have the right plug on both ends.

### Basics (what you need to know) about - EV Charging Cables / Connector Types / AC/DC charging:

#### Plugs:

Four types of plugs exist, two for alternating current (AC) which allow charging up to 43 kW and two for direct current (DC) which allow fast charging up to 350 kW.

#### • There are two types of plugs for AC charging: one of them is the

**Type 2 plug** - are triple-phase plugs because they have three additional wires to let current run through. Based on this, they can charge your car faster. At home, the highest charging power rate is 22 kW, while public charging stations can have a charging power up to 43 kW, again depending on the charging power of your car and grid capability.

#### • Electric car charging cable types

**Mode 2 charging cables** - When you purchase an electric car, it will typically come with what's known as a Mode 2 charging cable as standard. These cables plug into your electric car on one end and a standard domestic socket on the other. The cable also comes with In-Cable Control and Protection Device (IC-CPD) which is responsible for the control and communication between, and the protection of, the standard wall plug and the electric car.

Even if this charging method is convenient, most household outlets only deliver up to 2.3 kW of power, therefore this charging method can take a long time.

**Mode 3 charging cables** - Mode 3 cables are most commonly used when charging an electric car around the world. This type of charging cable connects your vehicle to a dedicated electric vehicle charging point—like those found in offices and workplaces, homes and residential locations, and commercial and public car parks. These cables are in charge of the control, communication, and protection of the charging process and usually connect to charging plugs like Type 1 or Type 2.

Depending on your single-phase or three-phase electrical installation and your vehicle's on-board charger, you must choose the corresponding cable.

| Single phase 16A | Single phase 32A | Three phase 16A | Three phase 32A |
|------------------|------------------|-----------------|-----------------|
| 3,7kW            | 7.4kW            | 11kW            | 22kW            |

#### • Charging power (single- or triple-phase)

For working out the charging power, you will need the number of phases, the voltage and amperage of your power connection for the charging station.

#### Charging power (single-phase alternating current):

Charging Power (3.7 kW) = Phases (1) x Voltage (230 V) x Amperage (16 A)

#### Charging power (triple-phase alternating current), star connection:

Charging Power (22 kW) = Phases (3) x Voltage (230 V) x Amperage (32 A)

#### Alternatively: charging power (triple-phase alternating current), delta connection:

Charging Power (22 kW) = Root (3) x Voltage (400 V) x Amperage (32 A)

|                                   |  |
|-----------------------------------|--|
| Connections:                      | Type 2 on both sides   |
| Charging cable Mode 3 with Type2: | EN 62196-1:2014  |
|                                   | EN 62196-2:2017  |
|                                   | EN IEC 61851-1:2019  |
| Nominal voltage type 2 (1-phase): | max. 250VAC (1P+N+E)   |
| Nominal voltage type 2 (3-phase): | max. 480VAC (3P+N+E)   |
| Nominal frequency (Hz):           | 50Hz/60Hz  |
| Number of phases:                 | 1-phase / 3-phase  |
| Max. Charging current (A):        | 16A / 32A  |
| Max. Charging power (kW):         | 7.4 / 11 / 22kW  |
| Number of phases:                 | 1-phase / 3-phase  |
| Protection class:                 | IP54 with protective cap<br>IP65 with plug and coupler mated |
| Charging plug and connector:      | EN 62196-1:2014  |
|                                   | EN 62196-2:2017  |
|                                   | EN 17186:2019  |
| Cable standard:                   | EN 50620:2017+A1   |
| Operating temperature:            | -30° - +50°C   |
| Ambient and Storage Temperature:  | -40° - +85°C   |



### Description

### Order-No. – PU.

**7.4 kW** **1-Ph.** **32 A** **IP65**

ROLINE EV Charging Cable Assembly Type2, 1-Phase, 250VAC (1P+N+E), 32A, 7.4kW, IP65 mate, IP54 unmated, 3m 19.08.0003 – 4

ROLINE EV Charging Cable Assembly Type2, 1-Phase, 250VAC (1P+N+E), 32A, 7.4kW, IP65 mate, IP54 unmated, 5m 19.08.0005 – 4

ROLINE EV Charging Cable Assembly Type2, 1-Phase, 250VAC (1P+N+E), 32A, 7.4kW, IP65 mate, IP54 unmated, 7.5m 19.08.0007 – 4

**11 kW** **3-Ph.** **16 A** **IP65**

ROLINE EV Charging Cable Assembly Type2, 3-Phase, 480VAC (3P+N+E), 16A, 11kW, IP65 mate, IP54 unmated, 3m 19.08.0013 – 4

ROLINE EV Charging Cable Assembly Type2, 3-Phase, 480VAC (3P+N+E), 16A, 11kW, IP65 mate, IP54 unmated, 5m 19.08.0015 – 4

ROLINE EV Charging Cable Assembly Type2, 3-Phase, 480VAC (3P+N+E), 16A, 11kW, IP65 mate, IP54 unmated, 7.5m 19.08.0017 – 4

**22 kW** **3-Ph.** **32 A** **IP65**

ROLINE EV Charging Cable Assembly Type2, 3-Phase, 480VAC (3P+N+E), 32A, 22kW, IP65 mate, IP54 unmated, 3m 19.08.0023 – 4

ROLINE EV Charging Cable Assembly Type2, 3-Phase, 480VAC (3P+N+E), 32A, 22kW, IP65 mate, IP54 unmated, 5m 19.08.0025 – 4

ROLINE EV Charging Cable Assembly Type2, 3-Phase, 480VAC (3P+N+E), 32A, 22kW, IP65 mate, IP54 unmated, 7.5m 19.08.0027 – 3

ROLINE Wall Mount for EV Type2 Charging Cable Assembly 19.08.0090 – 5

ROLINE Protective bag for EV Charging Cable Assembly 19.08.0091 – 5



ROLINE EV Charging Cable Assembly Type2 Mode3, 1-Phase / 3-Phase, 250/480VAC, <22kW, Spiral

**roline**<sup>®</sup>  
Designed for Professionals



Description

Order-No. - PU.

7.4 kW 1-Ph. 32 A IP65

|  |                |
|--|----------------|
| ROLINE EV Charging Cable Assembly <b>Spiral</b> , Type2, 1-Phase, 250VAC (1P+N+E), 32A, 7.4kW, IP65 mate, IP54 unmated, 3m   | 19.08.0033 – 4 |
| ROLINE EV Charging Cable Assembly <b>Spiral</b> , Type2, 1-Phase, 250VAC (1P+N+E), 32A, 7.4kW, IP65 mate, IP54 unmated, 5m   | 19.08.0035 – 4 |
| ROLINE EV Charging Cable Assembly <b>Spiral</b> , Type2, 1-Phase, 250VAC (1P+N+E), 32A, 7.4kW, IP65 mate, IP54 unmated, 7.5m | 19.08.0037 – 4 |

11 kW 3-Ph. 16 A IP65

|   |                |
|---|----------------|
| ROLINE EV Charging Cable Assembly <b>Spiral</b> Type2, 3-Phase, 480VAC (3P+N+E), 16A, 11kW, IP65 mate, IP54 unmated, 3m     | 19.08.0043 – 4 |
| ROLINE EV Charging Cable Assembly <b>Spiral</b> , Type2, 3-Phase, 480VAC (3P+N+E), 16A, 11kW, IP65 mate, IP54 unmated, 5m   | 19.08.0045 – 4 |
| ROLINE EV Charging Cable Assembly <b>Spiral</b> , Type2, 3-Phase, 480VAC (3P+N+E), 16A, 11kW, IP65 mate, IP54 unmated, 7.5m | 19.08.0047 – 4 |

22 kW 3-Ph. 32 A IP65

|   |                |
|---|----------------|
| ROLINE EV Charging Cable Assembly <b>Spiral</b> , Type2, 3-Phase, 480VAC (3P+N+E), 32A, 22kW, IP65 mate, IP54 unmated, 3m   | 19.08.0053 – 4 |
| ROLINE EV Charging Cable Assembly <b>Spiral</b> , Type2, 3-Phase, 480VAC (3P+N+E), 32A, 22kW, IP65 mate, IP54 unmated, 5m   | 19.08.0055 – 4 |
| ROLINE EV Charging Cable Assembly <b>Spiral</b> , Type2, 3-Phase, 480VAC (3P+N+E), 32A, 22kW, IP65 mate, IP54 unmated, 7.5m | 19.08.0057 – 3 |

ROLINE EV Portable Charger (max. 3.6kW, 1-Phase) 3P German Type (CEE7/7) / CH / IT & Type2

NEW

Mobile charging station is specially designed for mobile use as a charging station at home or as an emergency charging cable when you are on the way.

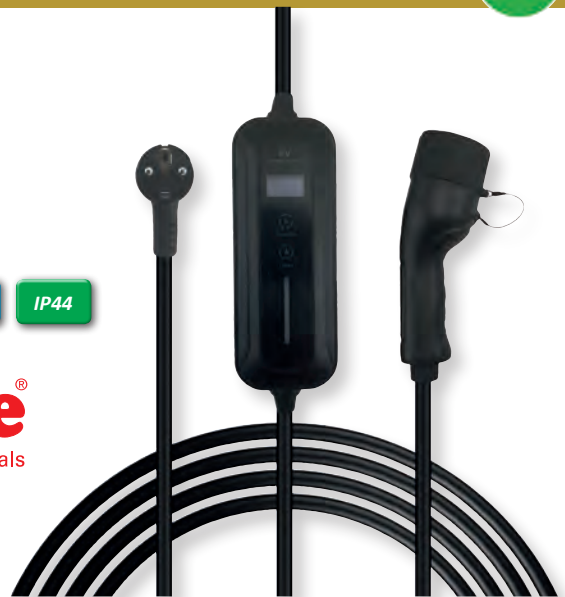
- Simple connection to a household socket
- The charging cable's control box monitors important protective functions in the process, such as the overcurrent and overtemperature functions and other protective functions.
- The charging cable only needs to be plugged into a standard household socket and the electric car (EV) will be charged with a maximum charging power of up to 3.6kW
- Robust construction
- Automatic charging process
- LED status display
- Connection to 230 VAC

3.6 kW 1-Ph. 16 A IP44

Technical data

- 1-phase
- 5 selectable charging powers up to 3.6kW
- Input voltage: 230 VAC 50 Hz
- Input current: max. 16 A
- Output voltage: 230 VAC 50 Hz
- Output current: max. 16 A
- Operating temperature: -30 to +50° C
- Type 2 plug (according to EN 62196-2) + mains plug (230 VAC CEE 7/7)
- Cable length incl. plug: up to 7.5m

**roline**<sup>®</sup>  
Designed for Professionals



Description

Order-No. – PU.

|  |                |
|--|----------------|
| ROLINE EV Portable Charging Cable, CEE7/7 - Type2, 1-Phase, 250VAC (1P+N+E), 16A, 3,6kW, 3m              | 19.08.0083 – 4 |
| ROLINE EV Portable Charging Cable, CEE7/7 - Type2, 1-Phase, 250VAC (1P+N+E), 16A, 3,6kW, 5m              | 19.08.0085 – 4 |
| ROLINE EV Portable Charging Cable, CEE7/7 - Type2, 1-Phase, 250VAC (1P+N+E), 16A, 3,6kW, 7.5m            | 19.08.0087 – 3 |
| ROLINE EV Portable Charging Cable, Swiss Type (3P) - Type2, 1-Phase, 250VAC (1P+N+E), 16A, 3,6kW, 3m     | 19.08.0103 – 4 |
| ROLINE EV Portable Charging Cable, Swiss Type (3P) - Type2, 1-Phase, 250VAC (1P+N+E), 16A, 3,6kW, 5m     | 19.08.0104 – 4 |
| ROLINE EV Portable Charging Cable, Italian Type (3P) - Type2, 1-Phase, 250VAC (1P+N+E), 16A, 3,6kW, 3m   | 19.08.0123 – 4 |
| ROLINE EV Portable Charging Cable, Italian Type (3P) - Type2, 1-Phase, 250VAC (1P+N+E), 16A, 3,6kW, 5m   | 19.08.0125 – 4 |
| ROLINE EV Portable Charging Cable, Italian Type (3P) - Type2, 1-Phase, 250VAC (1P+N+E), 16A, 3,6kW, 7.5m | 19.08.0127 – 4 |



## VALUE / ROLINE Power Strips

- 3/6-way power strip with plastic housing
- With or without switch
- Sockets are 45° rotated
- Colour: white / black

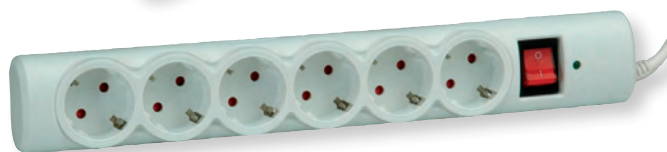


## Order-No. – P.U.

|  |                 |
|--|-----------------|
| VALUE Power Strip, 3-way, white, 1.5 m               | 19.99.1072 – 20 |
| VALUE Power Strip, 3-way, white, 3.0 m               | 19.99.1073 – 10 |
| VALUE Power Strip, 3-way, with Switch, white, 1.5 m  | 19.99.1076 – 20 |
| VALUE Power Strip, 3-way, with Switch, white, 3.0 m  | 19.99.1077 – 10 |
| VALUE Power Strip, 3-way, with Switch, white, 6.0 m  | 19.99.1078 – 10 |
| VALUE Power Strip, 3-way, with Switch, white, 10.0 m | 19.99.1079 – 10 |
| VALUE Power Strip, 6-way, white, 1.5 m               | 19.99.1080 – 20 |
| VALUE Power Strip, 6-way, white, 3.0 m               | 19.99.1081 – 10 |
| VALUE Power Strip, 6-way, with Switch, white, 1.5 m  | 19.99.1084 – 20 |
| VALUE Power Strip, 6-way, with Switch, white, 3.0 m  | 19.99.1085 – 10 |
| VALUE Power Strip, 6-way, with Switch, white, 6.0 m  | 19.99.1086 – 10 |
| VALUE Power Strip, 6-way, with Switch, white, 10.0 m | 19.99.1087 – 10 |
| VALUE Power Strip, 3-way UTE, white, 3 m             | 19.99.1048 – 1  |
| VALUE Power Strip, 6-way UTE, white, 3 m             | 19.99.1049 – 1  |

## Order-No. – P.U.

|  |                 |
|--|-----------------|
| ROLINE Power Strip, 3-way, black, 1.5 m              | 19.07.1066 – 20 |
| ROLINE Power Strip, 3-way, black, 3 m                | 19.07.1067 – 10 |
| ROLINE Power Strip, 3-way, with Switch, black, 1.5 m | 19.07.1068 – 20 |
| ROLINE Power Strip, 3-way, with Switch, black, 3 m   | 19.07.1069 – 10 |
| ROLINE Power Strip, 3-way, with Switch, black, 6 m   | 19.07.1070 – 10 |
| ROLINE Power Strip, 3-way, with Switch, black, 10 m  | 19.07.1071 – 10 |
| ROLINE Power Strip, 6-way, black, 1.5 m              | 19.07.1072 – 20 |
| ROLINE Power Strip, 6-way, black, 3 m                | 19.07.1073 – 10 |
| ROLINE Power Strip, 6-way, with Switch, black, 1.5 m | 19.07.1074 – 20 |
| ROLINE Power Strip, 6-way, with Switch, black, 3 m   | 19.07.1075 – 10 |
| ROLINE Power Strip, 6-way, with Switch, black, 6 m   | 19.07.1076 – 10 |
| ROLINE Power Strip, 6-way, with Switch, black, 10 m  | 19.07.1077 – 10 |



**roline**<sup>®</sup>  
Designed for Professionals

## VALUE Power Strip, 6-way UTE, with Switch

- 6-way power strip with plastic housing
- Sockets are 45° rotated
- With illuminated 2-pole rocker switch
- Colour: white



## Order-No. – P.U.

|   |                |
|---|----------------|
| VALUE Power Strip, 6-way UTE, with Switch, white, 1.5 m | 19.99.1030 – 1 |
|---|----------------|



**ROLINE Power Strip**

- 6 AC outlets, rotated 45°
- 5 standard sockets plus 1 „block space“ socket
- 10 A resettable circuit breaker
- 1-pole rocker switch, lighted
- Max. load 10 A 230 V
- Power cord 1.8 m length, with right angle power plug



Order-No. – P.U.

ROLINE Power Strip, 6-way, Surge Protection

19.07.1606 – 20

**VALUE Clamp-On Power Strip Holder**

**19.99.3230**

- Suitable next to desktops, multimedia systems, etc.
- For an organized desktop/office
- Clamp-On power strip holder
- Clamps onto surfaces up to 50 mm thickness
- Width adjustment range of the kept devices: min. 50mm- max. 70mm
- Silicone pads prevent the mounted device from scratching and accidental dropping (e.g. secure hold of power strip...)
- Cable management

**19.99.3231**

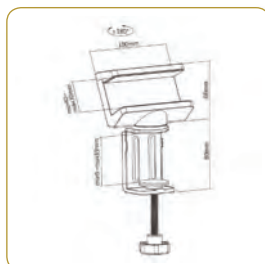
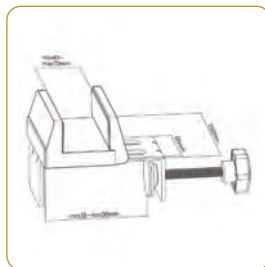
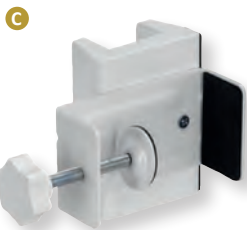
**Desk attachable socket strip holder via clamp - for a clean and tidy office, to keep each of your power sockets in reach**

- 360° Swivel functionality for easy handling
- Suitable next to desktops, multimedia systems, etc.
- For an organized desktop/office
- Clamp-On power strip holder
- Clamps onto surfaces up to 59 mm thickness
- Width adjustment range of the kept devices: min. 40mm- max. 70mm
- Silicone pads prevent the mounted device from scratching and accidental dropping (e.g. secure hold of power strip...)
- Cable management
- Max. load: 1 kg

**19.99.3233**

**Desk Leg attachable socket strip holder via clamp - for a clean and tidy office, to keep each of your power sockets in reach**

- Suitable next to desktops, multimedia systems, etc.
- For an organized desktop/office
- Clamp-On power strip holder
- Clamps onto desk leg thickness up to 38- 90 mm
- Width adjustment range of the kept devices: min. 40mm- max. 70mm
- Silicone pads prevent the mounted device from scratching and accidental dropping (e.g. secure hold of power strip...)
- Max. load: 1 kg



Order-No. – P.U.

VALUE Clamp-On Power Strip Holder, white A 19.99.3230 – 10

VALUE Clamp-On Power Strip Holder, 360°, white B 19.99.3231 – 10

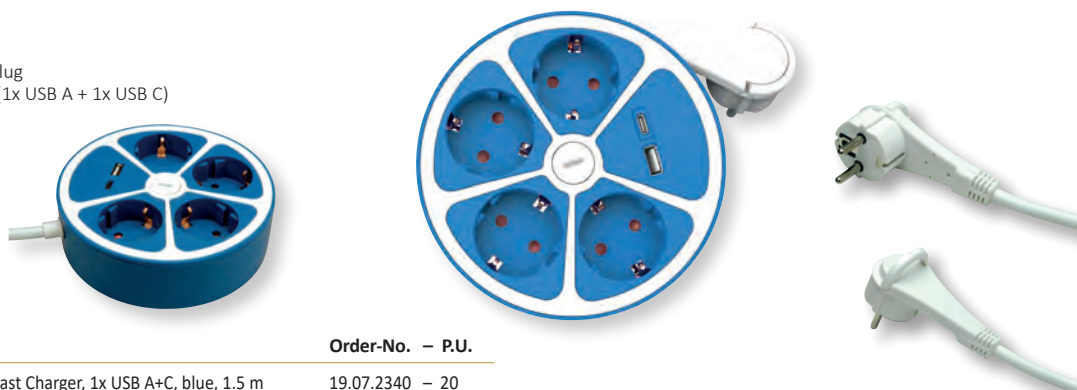
VALUE Clamp-On Power Strip Holder, Desk Leg Mount, white C 19.99.3233 – 10

### ROLINE Power Strip, 4-way, with Switch, round, Fast Charger, 1x USB A+C

NEW

#### Power strip with safety shutter sockets

- 4-way power strip with plastic housing
- Sockets are ring-shaped
- With 2-pole push switch
- Supply cable 1.5m/3m with angled safety plug
- USB charging connection: 5V DC max 2.4A (1x USB A + 1x USB C)
- Child protection
- Colour: blue/white



Order-No. – P.U.

|  |                 |
|--|-----------------|
| ROLINE Power Strip, 4-way, with Switch, round, Fast Charger, 1x USB A+C, blue, 1.5 m | 19.07.2340 – 20 |
|--|-----------------|

|  |                 |
|--|-----------------|
| ROLINE Power Strip, 4-way, with Switch, round, Fast Charger, 1x USB A+C, blue, 3 m | 19.07.2341 – 10 |
|--|-----------------|

|  |                 |
|--|-----------------|
| ROLINE UTE Power Strip, 4-way, with Switch, round, Fast Charger, 1x USB A+C, blue, 1.5 m | 19.07.2342 – 20 |
|--|-----------------|

|  |                 |
|--|-----------------|
| ROLINE UTE Power Strip, 4-way, with Switch, round, Fast Charger, 1x USB A+C, blue, 3 m | 19.07.2343 – 10 |
|--|-----------------|

**roline**<sup>®</sup>  
Designed for Professionals

### ROLINE Power Strip, 3-way, with Switch, Fast Charger, 1x USB A+C

NEW

#### Power strip with safety shutter sockets

- 3-way power strip with plastic housing
- Sockets are 45° rotated
- With 2-pole rocker switch
- Supply cable 1.5 m with angled safety plug
- USB charging connection: 5V DC max 2.4A (1x USB A + 1x USB C)
- Child protection
- Individually switchable, illuminated
- Colour: blue/white



Order-No. – P.U.

|   |                 |
|---|-----------------|
| ROLINE Power Strip, 3-way, with Switch, Fast Charger, 1x USB A+C, blue, 1.5 m | 19.07.2344 – 20 |
|---|-----------------|

|   |                 |
|---|-----------------|
| ROLINE Power Strip, 3-way, with Switch, Fast Charger, 1x USB A+C, blue, 3 m | 19.07.2345 – 10 |
|---|-----------------|

**roline**<sup>®</sup>  
Designed for Professionals

### VALUE Power Strip, 3/6-way, with Switch

NEW

#### Power strip with safety shutter sockets

- 3/6-way power strip with plastic housing
- Sockets are 45° rotated
- With illuminated 2-pole rocker switch
- Colour: white



Order-No. – P.U.

|   |                 |
|---|-----------------|
| VALUE Power Strip, 3-way, with Switch, white, 1.5 m | 19.99.0950 – 20 |
|---|-----------------|

|   |                 |
|---|-----------------|
| VALUE Power Strip, 3-way, with Switch, white, 3 m | 19.99.0951 – 10 |
|---|-----------------|

Order-No. – P.U.

|   |                 |
|---|-----------------|
| VALUE Power Strip, 6-way, with Switch, white, 1.5 m | 19.99.0955 – 20 |
|---|-----------------|

|   |                 |
|---|-----------------|
| VALUE Power Strip, 6-way, with Switch, white, 3 m | 19.99.0956 – 10 |
|---|-----------------|

**Value**<sup>®</sup>



**VALUE Power Strip, 3/6-way UTE, with Switch**

- 3/6-way power strip with plastic housing
- Sockets are 45° rotated
- With illuminated 2-pole rocker switch
- Colour: white

UTE Version - Suitable for France, Czech Republic, Slovakia

**NEW**

Order-No. – P.U.

VALUE Power Strip, 3-way UTE, with Switch, white, 1.5 m 19.99.0960 – 20

VALUE Power Strip, 3-way UTE, with Switch, white, 3 m 19.99.0961 – 10

Order-No. – P.U.

VALUE Power Strip, 6-way UTE, with Switch, white, 1.5 m 19.99.0965 – 20

VALUE Power Strip, 6-way UTE, with Switch, white, 3 m 19.99.0966 – 10

**VALUE Power Strip, 4-way, with individual Switch**

Power strip with safety shutter sockets

- 4-way power strip with plastic housing
- Sockets are 45° rotated
- Supply cable max. 6 m with angled safety plug
- Child protection
- Individually switchable, illuminated
- Colour: white

**NEW**

Order-No. – P.U.

VALUE Power Strip, 4-way, with individual Switch, white, 1.5 m 19.99.0940 – 20

VALUE Power Strip, 4-way, with individual Switch, white, 3 m 19.99.0941 – 10

VALUE Power Strip, 4-way, with individual Switch, white, 6 m 19.99.0942 – 10

**Universal Wall Power Supply**

For small devices as battery alternative or spare part

- Input: 230V/50 Hz
- Output: 500 mA
- Connection cable length: 1.5 m
- Voltage (VDC): 3 / 4.5 / 6 / 7.5 / 9 / 12 selectable with sliding switch
- Polarity +/- reversible (with plug adaptor)
- Contents: Power Supply Unit with 6 removable plugs (3.5 / 1.4x4 / 2.1x5 / 2.5x5.5 / 0.75x2.5 / 35x3.5 mm)



Order-No. – P.U.

Universal Wall Power Supply 500mA 19.11.1097 – 1

Universal Wall Power Supply 1000mA 19.11.1098 – 1

## VALUE USB Wall Charger, 1x Port (USB Type C), 20W

NEW

**For charging or powering a device via its USB input.**

- For charging of mobile devices (tablets / smartphones)
- Multi-Protection: Over Current / Short Circuit / Over Voltage Protection
- Compact Design
- PowerIQ technology- identifies what kind of device is plugged into and delivers the proper voltage/amperage
- Input: 100- 240 V AC, 50- 60 Hz
- Output: 20W (5V/3A; 9V/2.22A; 12V/1.67A)



|                        |   |
|------------------------|---|
| <b>Technical data:</b> | <b>19.99.1097</b>                         |
| Input:                 | 100 - 240 VAC                             |
| Output:                | 1x USB C<br>5V 3A / 9V 2.22A<br>12V 1.67A |
| Power (max.):          | 20W                                       |
| Dimensions:            | 80 x 42 x 30 mm                           |

**Order-No. – P.U.**

|   |                 |
|---|-----------------|
| VALUE USB Wall Charger, 1 Port (USB Type C), 20W, black | 19.99.1097 – 10 |
|---|-----------------|

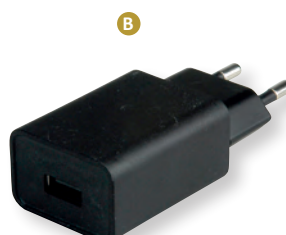
## VALUE USB Wall Chargers

**For powering a smartphone/tablet, external SSD/HDD or other devices**

- For charging or as a power supply from a device via its USB input
- Perfect supplement for your Wireless Charger, as the scope of delivery often does not include plug-in power supplies
- Suitable, for example, for smartphone/tablet, external SSD/HDD enclosures and other devices
- Charger with one USB Type A socket
- Matt black PVC housing and Euro flat plug

## Technical data

- Plug-in power supply
- Input voltage: 100- 240V AC, 50- 60Hz



| Technical data:     | 19.99.1092   | 19.99.1093      | 19.99.1094                       | 19.99.1095                                       | 19.99.1096   |
|---------------------|--|-----------------|----------------------------------|--|--|
| Input:              | 100 - 240 VAC  | 100 - 240 VAC   | 100 - 240 VAC                    | 100 - 240 VAC                                    | 100 - 240 VAC  |
| Output:             | 1x USB A F   | 1x USB A F      | 1x USB C                         | 1x USB C   | 1x USB A F<br>2x USB C   |
|                     | 3.6V-6.5V/3A,<br>6.5V-9V/2A,<br>9V-12V/1.5A (max.<br>18 W) | 5V / 2.4A       | 5V 3A / 9V 2.77A<br><br>12V 2.1A | 5V 3A / 9V 3A<br><br>12V 3A / 15V 3A / 20V 2.25A | USB-C 1: PD65W (5V 3A / 9V 3A<br><br>12V 3A / 15V 3A / 20V 3.25A |
| Power (max.):       | 18W  | 12W             | 25W                              | 45W  | 65W  |
| Dimensions:         | 36 x 24 x 84 mm  | 36 x 24 x 84 mm | 36 x 24 x 84 mm                  | 50 x 30 x 88 mm                                  | 50 x 30 x 93 mm  |
| Additional features | QC 3.0 (Quick Charge)                                      |                 |                                  |  | Power Delivery   |

**Order-No. – P.U.**

|   |                   |
|---|-------------------|
| VALUE USB Wall Charger, 1-Port, 1x A QC3.0, 18W         | A 19.99.1092 – 10 |
| VALUE USB Wall Charger, 1-Port, 1x A, 12W               | B 19.99.1093 – 10 |
| VALUE USB Wall Charger, 1-Port, 1x C, 25W               | C 19.99.1094 – 10 |
| VALUE USB Wall Charger, 1-Port, 1x C, 45W               | D 19.99.1095 – 10 |
| VALUE USB Wall Charger, 3-Ports, (2x C+ 1x A), 65W, GaN | E 19.99.1096 – 10 |

## ROLINE USB Charger, 6 Ports (4x USB A, 1x USB C, 1x USB A QC3.0), max. 60W

**USB charger with up to 60W for charging up to six mobile devices (Tablets/Smartphones) at a time.**

- Power adapter with 5x USB type A F connectors + 1x USB type C (one of them is USB QC (quick Charge))
- It's handy to use whether at home or in the hotel
- Compact Design
- Multi-Protection: Over Current / Short Circuit / Over Voltage Protection
- IQ technology- identifies what kind of device is plugged into and delivers the proper voltage/amperage
- Input range: 100- 240 V AC, 50- 60 Hz
- Output:  
4x USB DC 5V / 2,4A +

- 1x QC 3.0: DC 5V / 3A, 9V / 2A, 12V / 1,5A +
- 1x C DC 5V / 3A, 9V / 3A, 20V / 1,5A

- Total output: 60W (max.)
- Dimensions: 29 x 70 x 100 mm
- Contents:  
USB charger,  
power cable (2pin Euro) 1,2m

**Order-No. – P.U.**

|  |                 |
|--|-----------------|
| ROLINE USB Charger, 6 Ports (4x USB A, 1x USB C, 1x USB A QC3.0), max. 60W | 19.11.1055 – 10 |
|--|-----------------|

Designed for Professionals

**ROLINE USB Wall Charger Euro Plug**

**For charging or powering a device via its USB input.**

- For charging of mobile devices (tablets / smartphones)
- Quick Charge 3.0 supported
- Multi-Protection: Over Current / Short Circuit / Over Voltage Protection
- Compact Design
- PowerIQ technology- identifies what kind of device is plugged into and delivers the proper voltage/amperage
- Input: 100- 240 V AC, 50- 60 Hz

**Advantages of GaN technology (19.11.1053)**

- GaN or gallium nitride- crystalline material with more advantageous properties compared to silicon
- Powerful, efficient power supply
- Enables more compact charger design
- Low heat generation
- Allows a higher density of electronic components



A



B



C

**Technical data:**  
**19.11.1018**  
 Input: 100 - 240 VAC  
 Output: 2x USB A F (5V; 2.4A)  
 5V/2,4A - 3A, 9V-3A, 12V/3A,  
 15V/3A, 20V/3A, 20,3V/3A  
 Power (max.): 61W  
 Dimensions: 55 x 29 x 88 mm  
 Additional features: QC 3.0 (Quick Charge)

**19.11.1041**  
 Input: 100 - 240 VAC  
 Output: 1x USB C F  
 1x USB A F  
 A QC 3.0 -3.6-6V/3A, 6-9V/2A, 9-12V/1.5A (18W);  
 C (PD) - 5V/3A, 9V/3A, 12V/3A, 15V/3A, 20V/3.25A (65W)  
 Power (max.): 65W  
 Dimensions: 58 x 31 x 94 mm  
 Additional features: QC 3.0 (Quick Charge)

**19.11.1052**  
 Input: 100 - 240 VAC  
 Output: 1x USB C F  
 1x USB A F  
 QC3.0: DC 3,6 - 6V/3A, 6-9V/2A, 9-12V/1,5A (max. 18W)  
 C (PD): DC 5V/3A, 9V/2,22A, 12V/1,67A (max. 20W)  
 Power (max.): 20W  
 Dimensions: 42 x 29 x 79 mm  
 Additional features: QC 3.0 (Quick Charge)



D

**Technical data:**  
**19.11.1061**  
 Input: 100 - 240 VAC  
 Output: 1x USB A F  
 3.6V-6.5V/3A,6.5V-9V/2A,  
 9V-12V/1.5A (max. 18W)  
 Power (max.): 18W  
 Dimensions: 40 x 30 x 53 mm  
 Additional features: QC 3.0 (Quick Charge)

**19.11.1053**  
 Input: 100 - 240 VAC  
 Output: 2x USB C  
 (USB-C 1 or 2):DC 5V/3A, 9V/3A, 12V/3A,  
 15V/3A,20V/5A (Each Max)  
 (USB-C 1+2):DC 5V/3A, 9V/3A, 12V/3A,15V/3A,  
 20V/2.25A (Each Max)  
 Power (max.): 100W  
 Dimensions: 66 x 32 x 104 mm  
 Additional features: QC 3.0 (Quick Charge)  
 GaN - technology

**19.11.1054**  
 Input: 100 - 240 VAC  
 Output: 1x USB A F  
 1x USB C  
 (USB-A):DC 3.6-6V/3A, 6-9V/2A, 9-12V/1.5A (18W Max)  
 (USB-C):DC 5V/3A, 9V/2.22A, 12V/1.67A (20W Max)  
 Power (max.): 38W  
 Dimensions: 53 x 31 x 89 mm  
 Additional features: QC 3.0 (Quick Charge)  
 Power Delivery



E

|  |   |            | Order-No. - P.U. |
|--|---|------------|------------------|
| ROLINE USB Wall Charger, Euro Plug, 1x Port, 1x USB A, QC3.0, 18W        | A | 19.11.1061 | - 10             |
| ROLINE USB Wall Charger, Euro Plug, 1x Port, 1x C PD/QC3.0, 61W          | B | 19.11.1018 | - 10             |
| ROLINE USB Wall Charger Euro Plug, 2x Ports, 1x QC3.0 A + 1x C (PD), 65W | C | 19.11.1041 | - 10             |
| ROLINE USB Wall Charger Euro Plug, 2x Ports, 1x QC3.0 A + 1x C (PD), 20W | D | 19.11.1052 | - 10             |
| ROLINE USB Wall Charger Euro Plug, 2x Ports, 2x C (PD), GaN, 100W        | E | 19.11.1053 | - 10             |
| ROLINE USB Wall Charger Euro Plug, 2x Ports, 1x QC3.0 A + 1x C (PD), 38W | F | 19.11.1054 | - 10             |
| ROLINE USB Wall Charger, Euro Plug, 1x Port (USB Type C), GaN, 20W       | G | 19.11.1057 | - 10             |



G



F

**Technical data: 19.11.1057**  
 Input: 100 - 240 VAC  
 Output: 1x USB C  
 5V 3A / 9V 2.22A  
 12V 1.67A  
 Power (max.): 20W  
 Dimensions: 82 x 41 x 26 mm

**ROLINE USB Charger, 4 Ports (2x USB-C, 2x USB-A QC3.0), max. 120W**

**USB charger with up to 120W for charging up to four mobile devices (Tablets/Smart-phones) at a time.**

- Power adapter with 2x USB type A F connectors + 2x USB type C (one of them is USB QC (Quick Charge))
- It's handy to use whether at home or in the hotel
- Compact Design
- Multi-Protection: Over Current / Short Circuit / Over Voltage Protection
- IQ technology- identifies what kind of device is plugged into and delivers the proper voltage/amperage
- Input range: 100- 240 V AC, 50- 60 Hz

- Output: PD Output: 5.0V / 3.0A 15W // 9.0V 3.0A 27.0W // 15.0V 3.0A 45.0W // 20.0V 5.0A 100.0W max. each Port  
 QC Output: 5.0V / 3.0A 15W // 9.0V 2.0A 18.0W // 12.0V 1.5A 18.0W max. each Port
- Total output: 120W (max.)
- Dimensions: 46.5 x 46.5 x 85.0mm
- Contents: USB charger, power cable (2pin Euro) 1,2m



ROLINE USB Charger, 4 Ports (2x USB-C, 2x USB-A QC3.0), max. 120W

Order-No. - P.U.

19.11.1056 - 10



## ROLINE USB Charger, C5 Connection, 1x Type C Port, 65W

**For charging or as power supply of a device via USB type C - with up to 65W!**

- For charging devices with USB Type C socket such as MacBooks, Ultrabooks, Notebooks, Laptops, NUCs, Tablets or even Smartphones
- Perfect for on the go: simply use any cable with C5 plug and country-specific connection

- Supports USB PD (Power Delivery) function on output port
- Protection: Current / short-circuit / overvoltage protection
- Compact design, black housing and cable
- Input: 100- 240V AC, 50-60Hz
- Output: 5V-3A, 9V-3A, 12V-3A, 15V-3A, 20V-3,25A (max. 65 W)

**roline**<sup>®</sup>  
Designed for Professionals



Order-No. – P.U.

ROLINE USB Charger, C5 Connection, 1x Type C Port, 65W

19.11.1034 – 10

## ROLINE USB Charging Station

- For charging smart phones, tablet PCs (e. g. iPad), MP3 players ...
- Power and charge up to 7 devices at once in one convenient location on your desktop, counter top, lobby, or waiting room.
- Perfect for home or office use, most cell phones and tablets fit in station's slots without removing protective cases (slot widths- 19mm)
- 7 Powered USB Ports (5x 2.4A) - Simply connect your own charging cable and the charging station will charge up to 7 devices, including smartphones and high-powered

- devices such as tablets
- Organize up to 7 devices- 7 slots with anti-scratch silicone pads organize your devices even with the cases still on
- Surge protection on each port
- Built-in smart charging chipset provides and determines the charge needed for your device, delivering a steady and safe charge
- Power in a compact space
- Power Supply: 19VDC; 3.4A
- Output: 7x 2.4A
- Contents: USB charger, power adapter

Technical data: 19.07.1051  
 Number of ports: 7  
 Output: 7x USB 2.0 A, F  
 Input Voltage: 100 - 240V AC, 50 - 60Hz  
 Output Voltage: 5VDC  
 Power Output rate: 7x 5V DC 2.4A  
 Colour: black  
 Material (housing): plastic



Order-No. – P.U.

ROLINE USB Charging Station, 7 Port

19.07.1051 – 10

**roline**<sup>®</sup>  
Designed for Professionals

## VALUE USB Charger with Car Plug

**Easily charge your smartphone or other USB devices in the car or power mobile navigation devices**

- Car plug
- Input voltage: DC 12V- 24V
- Contents: car charger

Technical data: 19.99.1059  
 Input: 12-24 V DC, 2.1A max.  
 Output: 2x USB Type A F  
 Power: 10W (5VDC; .12A)

Dimensions: 33x35mm

Order-No. – P.U.

VALUE USB Car Charger, 2 Port, 10W

19.99.1059 – 20

**Value**<sup>®</sup>



## ROLINE PDU for Cabinet, 8x, 45°, German / French (UTE) Type, with lighted Switch

DATA CENTER  
Product

- 19 „socket (1UH) for installation in 19“ cabinets, incl. installation angle
- Arrangement of sockets: 45°
- Profile of anodized aluminium

- Cable type: 2.0m H05VV-F 3G 1,50mm<sup>2</sup>, black
- Max load: 3600W
- Color: black
- Mounting length: 466 mm
- Product size: 487 x 44.4 x 44.4 mm

**roline**<sup>®</sup>  
Designed for Professionals



NEW

Order-No. – P.U.

ROLINE PDU for Cabinet, 8x, 45°, German Type, with lighted Switch, black, 2 m

19.07.1619 – 10

ROLINE PDU for Cabinet, 8x, 45°, FRENCH Type (UTE), with lighted Switch, black, 1.8 m

19.07.1618 – 6

VALUE 19" PDU for Cabinets 8x / 7x, German Type

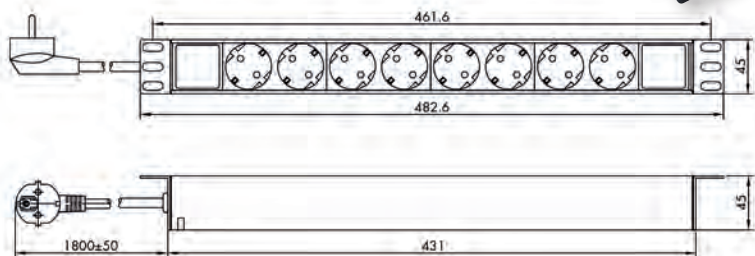
DATA CENTER Product

19" PDU with 8x/7x German Type socket and supply cable (1.8m/3m) with German Type plug, 1U, for installation in 19" cabinets, incl. installation angle.

- 19" socket strip (1 UH) for installation in 19" cabinets, incl. mounting bracket
- Arrangement of sockets: 45°.
- Anodised aluminium profile
- Cable type: 1.8m H05VV-F 3G 1.5mm<sup>2</sup>, black
- Maximum load: 4000W
- Colour: ALU / black
- width: 440mm



19.99.1632



Order-No. – P.U.

VALUE 19" PDU for Cabinets 8x, CEE 7/7 M German Type, 1.8 m

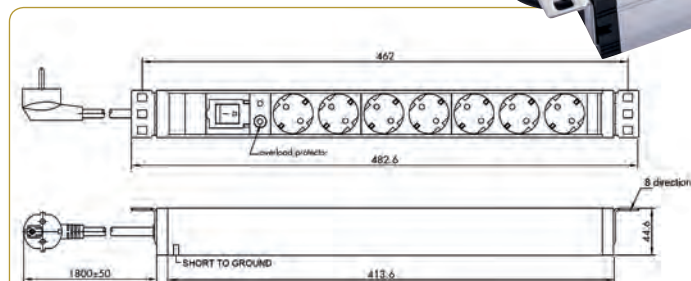
19.99.1632 – 10

VALUE 19" PDU for Cabinets 8x, CEE 7/7 M German Type, 3 m

19.99.1636 – 10



19.99.1633/37



Various fixing positions of the 19" ear kit (45°) - only 19.99.1633 / 19.99.1637

Order-No. – P.U.

VALUE 19" PDU for Cabinets 7x, 4000W, CEE 7/7 M German Type, 1.8 m

19.99.1633 – 10

VALUE 19" PDU for Cabinets 7x, 4000W, CEE 7/7 M German Type, 3 m

19.99.1637 – 10

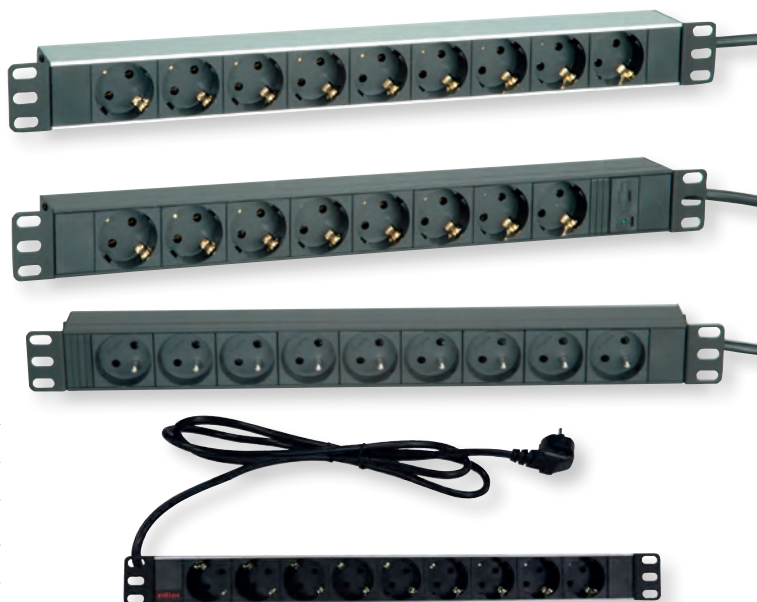


## ROLINE PDU for Cabinets

DATA CENTER  
Product

- 19" socket (1UH) for installation in 19" cabinets, incl. installation angle
- Arrangement of sockets: 45°
- Profile of anodized aluminium

- Cable type: 2.0m H05VV-F 3G 1,50mm<sup>2</sup>, black
- Max load/power: 16A 3600W; VDE / GS tested
- Color: ALU / light gray RAL 7035
- Width: 440mm



**roline**<sup>®</sup>  
Designed for Professionals

## Order-No. – P.U.

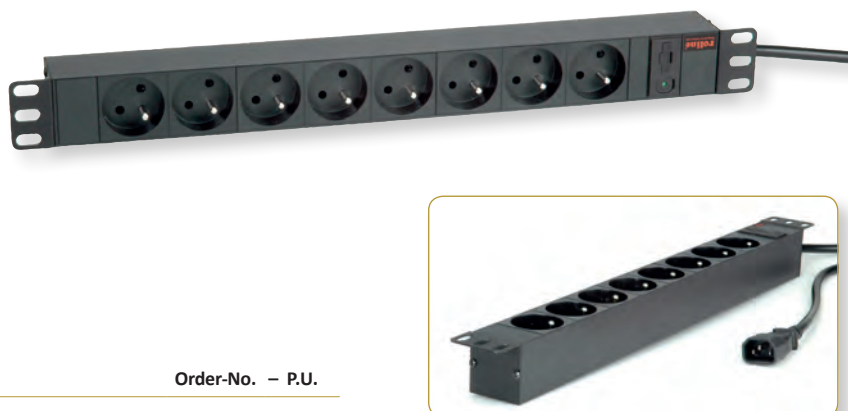
|  |                 |
|--|-----------------|
| ROLINE PDU for Cabinet, 9x socket, 45°, 16A, Aluminium, 2m             | 19.07.1620 – 10 |
| ROLINE PDU for Cabinet, 9x socket, 45°, 16A, black, 2m                 | 19.07.1621 – 10 |
| ROLINE 19" PDU for Cabinet 8x 2300W, IEC320 C14 M, Aluminium, 2m       | 19.07.1622 – 10 |
| ROLINE 19" PDU for Cabinet 8x 2300W, IEC320 C14 M, black, 2m           | 19.07.1623 – 10 |
| ROLINE 19" PDU for Cabinet 9x socket, 45°, 16A, UTE Version, black, 2m | 19.07.1624 – 10 |

## ROLINE 19" PDU for Cabinets 8x 2300W, UTE Version, IEC320 C14 M

DATA CENTER  
Product

- 19" socket (1UH) for installation in 19" cabinets, incl. installation angle
- Arrangement of sockets: 45°
- Profile of anodized aluminium

- Cable type: 2.0m H05VV-F 3G 1mm<sup>2</sup>, black
- Max load/power: 10A 2300W; VDE / GS tested
- Color: black
- Width: 440mm



**roline**<sup>®</sup>  
Designed for Professionals

## Order-No. – P.U.

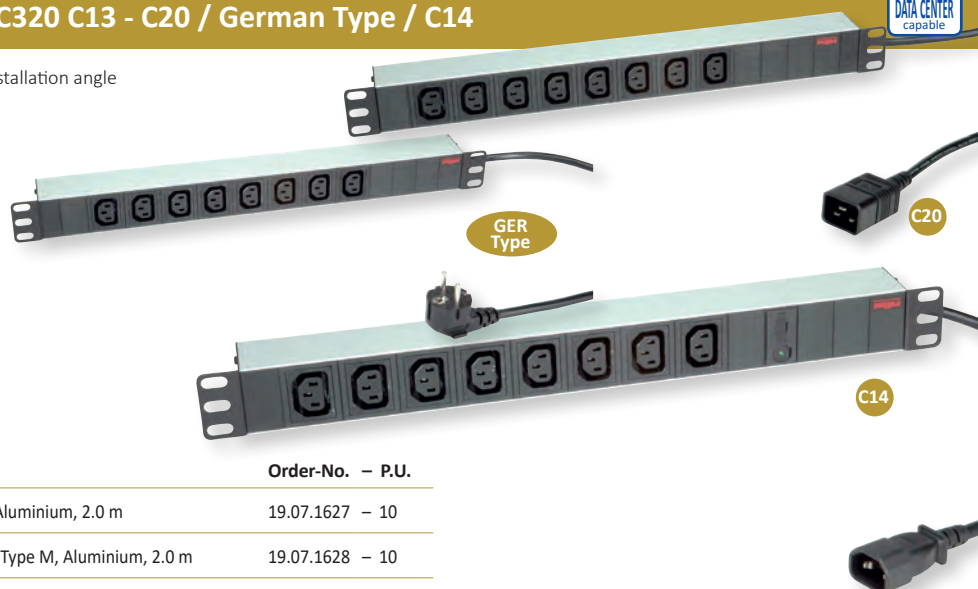
|   |                 |
|---|-----------------|
| ROLINE 19" PDU for Cabinets 8x 2300W, UTE Version, IEC320 C14 M, black, 2.0 m | 19.07.1626 – 10 |
|---|-----------------|

## ROLINE 19" PDU for Cabinets 8x IEC320 C13 - C20 / German Type / C14

DATA CENTER  
capable

- 19" socket (1UH) for installation in 19" cabinets, incl. installation angle
- Arrangement of sockets: 90°
- Profile of anodized aluminium

- Cable type:
  - 2.0m H05VV-F 3G 1mm<sup>2</sup> (19.07.1629),
  - 2.0m H05VV-F 3G 1.5mm<sup>2</sup> (19.07.1627/19.07.1628) black
- Max load/power:
  - 10A 2300W (19.07.1629)
  - 16A 3600W (19.07.1627 / 19.07.1628)
- Color: ALU / light gray RAL 7035
- Width: 440mm



**roline**<sup>®</sup>  
Designed for Professionals

## Order-No. – P.U.

|   |                 |
|---|-----------------|
| ROLINE 19" PDU for Cabinets 8x 2300W, IEC320 C13 - C20 M, Aluminium, 2.0 m            | 19.07.1627 – 10 |
| ROLINE 19" PDU for Cabinets 8x 3600W, IEC320 C13 - German Type M, Aluminium, 2.0 m    | 19.07.1628 – 10 |
| ROLINE 19" PDU for Cabinets 8x 3600W, IEC320 C13 - C14 M, 10 A Fuse, Aluminium, 2.0 m | 19.07.1629 – 10 |



## VALUE IP Power Strip

DATA CENTER  
Product

The VALUE IP power strip provides the on/off-switching of electrical devices over a TCP/IP network. Easily connect the VALUE IP power strip to a power supply system and the network. After allocating a free IP address, every single port can be independently switched with every common webbrowser.

- For installation in a 19" cabinet, height: 1U
- Easy and quick plug & play installation
- Easy and flexible configuration over a webbrowser
- IP adress fix or over DHCP
- Built-in temperature and humidity sensor to monitor your used infrastructure
- Setting of the circuit delay time for On/Off function of each C13 port to prevent the impact of power surge to the system
- LED indication for power status of every port

- Digital display for total power
- Automatic circuit breaker protection

## • Technical data:

- Connections: RJ-45, Ethernet 10/100Mbit, front side
- Output: 8x IEC320 C13 (10A)
- Input: 1x IEC320 C20 (16A)
- Rocker switch: Back side, lighted, 2-pole
- Indication: 8 LEDs
- Protocol: http
- Addressing: DHCP or constant IP address
- Dimensions (WxDxH): 430 x 90 x 44
- Contents: IP power bar




Order-No. – P.U.

VALUE IP Power Strip, 8-way

19.99.3420 – 1

## ROLINE 19" Automatic Transfer Switch, 2x C20 to 6x C13/2x C19, 16A

DATA CENTER  
Product

The Automatic Transfer Switch (ATS) is a high availability device designed for providing redundant power for sensitive electronic equipment. Powered by two independent power sources, it makes a rapid switch from one source to the other automatically, when the power supply used to power its connected load fails.

- The ATS- Automatic Transfer Switch- has two main supplies that provide redundant power to connected IT equipment
- Designed to supply power from the primary source „A“. If this source is unavailable for any reason, the device will automatically switch to the secondary source „B“, with no interruption to the connected equipment

- Once the primary source „A“ is available again, it will automatically switch back, again without interruption to the equipment
- Robust steel construction
- 2x C20 16A inlets
- 2x C19 16A outlets
- 6x C13 10A unswitched sockets
- 19" horizontal rack mounting 1U (44.4mm) high
- 16A max. rated. 220- 240VAC 50Hz

- Contents: User manual, 2x Input cables: C19-C20, 2x Input cable lockers, SNMP card, accessories for rack installation



Order-No. – P.U.

ROLINE 19" Automatic Transfer Switch, 2x C20 to 6x C13/2x C19, 16A

19.07.3415 – 1



## VALUE Power Cables, Italy / Power Cable, NEMA-5 – IEC C13 Connector, USA



Cable with Italy safety plug and IEC 320-C13

- Plugs: Italy plug to C13 plug
- Nominal data: 250V AC/2.5A
- Colour: black

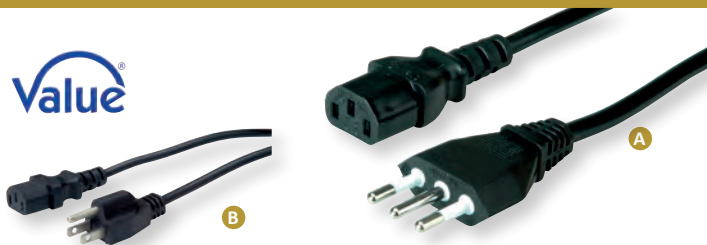
**Cable with plug NEMA-5 and IEC-C13**

- Plugs: NEMA-5 male to C13 female
- Nominal data: 125V AC/10A
- Colour: black
- Suitable for USA

Order-No. – P.U.

VALUE Power Cable, straight IEC Connector, Italy Version, black, 1.8m A 19.99.2072 – 50

VALUE Power Cable, NEMA-5 – IEC C13 Connector, USA, black, 1.8 m B 19.99.1495 – 50



## VALUE UK Power Cables, 3A/10A



- Plugs: UK plug to C5 / C7 / C13 plug
- Nominal data: 250V AC / 3A or 10A
- Colour: black

Order-No. – P.U.

VALUE UK Power Cable, straight Compaq Connector, 3A, black, 1.8 m A 19.99.2016 – 50

VALUE UK Power Cable, 2-pin, black, 3A, 1.8 m B 19.99.2017 – 50

VALUE UK Power Cable, straight IEC Connector, 10A, black, 1.8 m C 19.99.2018 – 50

VALUE UK Power Cable, straight IEC Connector, 10A, black, 3 m C 19.99.2019 – 20



## ROLINE Power Cable with German Type Connector / Open End, AC 230V

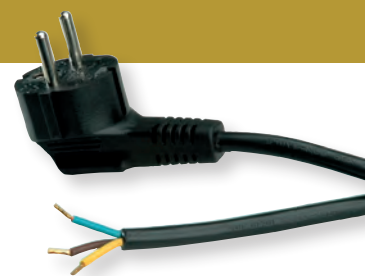
- Cable with Schuko male connector, 16A / 230VAC
- Cable: H05VV-F 3G1 3x 0.75mm<sup>2</sup>
- Nominal data: 250 VAC/16 A
- Colour: black

Order-No. – P.U.

ROLINE Power Cable w. German connector / open end, AC 230V, black, 1.8 m 19.08.1110 – 10

ROLINE Power Cable w. German connector / open end, AC 230V, black, 3.0 m 19.08.1111 – 10

**roline**<sup>®</sup>  
Designed for Professionals



## VALUE Power Cable IEC320/C14 Male - C5 Female

**Ideal for use as extension/conversion from an IEC power lead to power a laptop with a IEC C5 socket input.**

- Voltage 250 V AC
- Current: 2.5 A
- Connector type:
  - Male Plug IEC60320 C14
  - Female Connector IEC60320 C5
- Cable construction: 3 wires
- Conductors / Wires: Gauge 1.0mm<sup>2</sup>
- Material: PVC
- Color: Black

Order-No. – P.U.

VALUE Power Cable IEC320/C14 Male - C5 Female, black, 1.8 m 19.99.1119 – 20

**Value**<sup>®</sup>



## VALUE / ROLINE Y-Power Cable, 2x straight IEC Connector

**Cable with safety plug 90° angled (3P German Plug) and 2x IEC 320-C13 plug straight**

- Suitable for PC and monitor power connection
- Connectors: 3P German plug to 2x C13 plug
- Nominal data: 250V AC/10A

Order-No. – P.U.

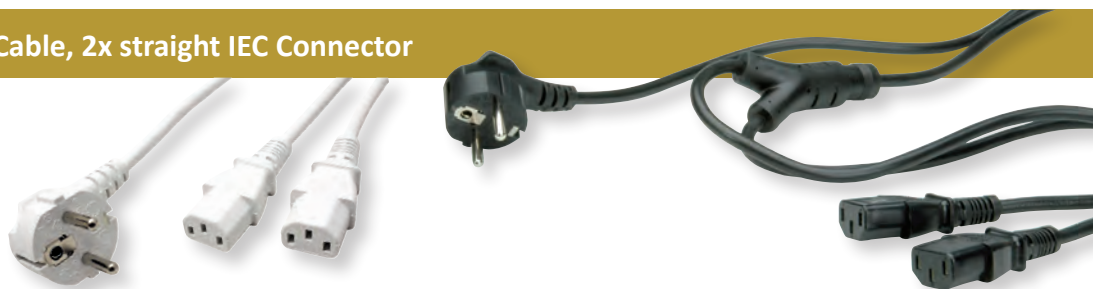
VALUE Y-Power Cable, 2x straight IEC Connector, black, 2 m 19.99.1022 – 50

ROLINE Y-Power Cable, 2x straight IEC Connector, black, 2 m 19.08.1022 – 50

ROLINE Y-Power Cable, 2x straight IEC Connector, white, 2 m 19.08.1023 – 50

**roline**<sup>®</sup>  
Designed for Professionals

**Value**<sup>®</sup>



## VALUE / ROLINE Power Cord German Safety Plug, IEC320 - C19 16A

Cable often used for UPS from 3000 VA and for connecting Blade servers.

- Connection cable 16 A with IEC320 C19 Female and German safety plug, angled
- Cable: H05VV-F 3G1.5 3x 1.5mm<sup>2</sup>
- Nominal data: 250 VAC/16 A
- Colour: black

|   | Order-No. – P.U. |
|---|------------------|
| VALUE Power Cord German Type, IEC320 - C19 16A, black, 2.0 m  | 19.99.1552 – 20  |
| VALUE Power Cord German Type, IEC320 - C19 16A, black, 3.0 m  | 19.99.1553 – 20  |
| ROLINE Power Cord German Type, IEC320 - C19 16A, black, 2.0 m | 19.08.1552 – 14  |
| ROLINE Power Cord German Type, IEC320 - C19 16A, black, 3.0 m | 19.08.1553 – 10  |
| ROLINE Power Cord IEC320/C19 - C20 16A, black, 2.0 m          | 19.08.1562 – 14  |
| ROLINE Power Cord IEC320/C19 - C20 16A, black, 3.0 m          | 19.08.1563 – 10  |



## VALUE Extension Cable with 3P. German connectors, AC 230V

- Extension cable with 3P. German male and female connector, 16A / 230V ~
- Cable: H05VV-F 3G1.5 3x 1.5mm<sup>2</sup>
- Nominal data: 250 VAC/16 A
- Colour: black / white

|  | Order-No. – P.U. |
|--|------------------|
| VALUE Extension Cable with 3P. German connectors, AC 230V, black, 3 m  | 19.99.1166 – 20  |
| VALUE Extension Cable with 3P. German connectors, AC 230V, black, 5 m  | 19.99.1167 – 20  |
| VALUE Extension Cable with 3P. German connectors, AC 230V, black, 10 m | 19.99.1168 – 10  |
| VALUE Extension Cable with 3P. German connectors, AC 230V, white, 3 m  | 19.99.1176 – 20  |
| VALUE Extension Cable with 3P. German connectors, AC 230V, white, 5 m  | 19.99.1177 – 20  |
| VALUE Extension Cable with 3P. German connectors, AC 230V, white, 10 m | 19.99.1178 – 10  |



## VALUE Extension Cable with 3P. Connectors, UTE Version, AC 230V

**Extension cable with German Type plug and socket, 16A/230V**

- Extension cable with 3P. male and female connector, UTE Version, 16A / 230V ~
- Cable: H05VV-F 3G1.5 3x 1.5mm<sup>2</sup>

|  | Order-No. – P.U. |
|--|------------------|
| VALUE Extension Cable with 3P. Connectors, UTE Version, AC 230V, black, 3 m  | 19.99.1170 – 20  |
| VALUE Extension Cable with 3P. Connectors, UTE Version, AC 230V, black, 5 m  | 19.99.1171 – 20  |
| VALUE Extension Cable with 3P. Connectors, UTE Version, AC 230V, black, 10 m | 19.99.1172 – 10  |
| VALUE Extension Cable with 3P. Connectors, UTE Version, AC 230V, white, 3 m  | 19.99.1173 – 20  |
| VALUE Extension Cable with 3P. Connectors, UTE Version, AC 230V, white, 5 m  | 19.99.1174 – 20  |
| VALUE Extension Cable with 3P. Connectors, UTE Version, AC 230V, white, 10 m | 19.99.1175 – 10  |

- Nominal data: 250 VAC/16 A
- Colour: black / white
- Suitable for France, Czech Republic, Slovakia



## VALUE Extension Cable T12/T13 (CH)



- Extension cable
- T12 plug / T13 socket
- Type Td 3x1.5 mm<sup>2</sup>
- Colour: black / white

|   | Order-No. – P.U. |
|---|------------------|
| VALUE Extension Cable T12/T13 (CH), 3 m         | 19.99.1180 – 20  |
| VALUE Extension Cable T12/T13 (CH), 5 m         | 19.99.1181 – 20  |
| VALUE Extension Cable T12/T13 (CH), 10 m        | 19.99.1182 – 10  |
| VALUE Extension Cable T12/T13 (CH), white, 3 m  | 19.99.1183 – 20  |
| VALUE Extension Cable T12/T13 (CH), white, 5 m  | 19.99.1184 – 20  |
| VALUE Extension Cable T12/T13 (CH), white, 10 m | 19.99.1185 – 10  |





### VALUE Power Cable, German Socket to IEC C14 Plug / VALUE Power Cable IEC320/C14 Male - C15 Female

#### Cable with safety socket (German socket) and IEC 320-C14

- Plugs: German socket to C14 plug
- Nominal data: 230V AC/10A
- Colour: black

- Note: **only for UPS use**



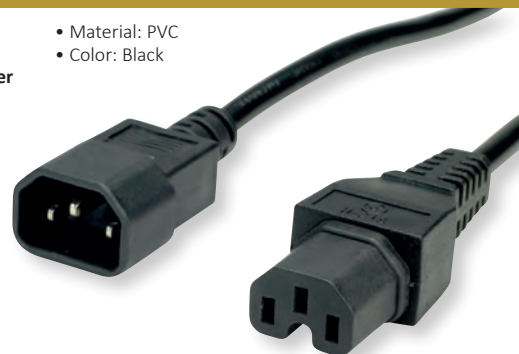
Order-No. – P.U.

VALUE Power Cable, German Socket to IEC C14 Plug, black, 0,3 m 19.99.1117 – 20

This type of connector (C15) is specifically designed for higher temperature devices, e.g. computing networking cabinets or server rooms, and PoE (Power over Ethernet) switches with higher wattage power supplies.

- Voltage 230 V AC
- Current: 10 A
- Connector type:
  - Male Plug IEC60320 C14
  - Female Connector IEC60320 C15 (hot temperature connector)
- Cable construction: 3 wires
- Conductors / Wires: Gauge 1.0mm<sup>2</sup>

- Material: PVC
- Color: Black



Order-No. – P.U.

VALUE Power Cable IEC320/C14 Male - C15 Female, black, 0,5 m 19.99.1120 – 20

VALUE Powercable IEC320/C14 Male - C15 Female, black, 1 m 19.99.1121 – 20

VALUE Powercable IEC320/C14 Male - C15 Female, black, 1,8 m 19.99.1122 – 20

VALUE Powercable IEC320/C14 Male - C15 Female, black, 3 m 19.99.1123 – 20

### ROLINE GREEN Power Cable, straight IEC Connector, LSOH

Cable with safety plug 90° angulate (Schuko plug) and IEC 320-C13

- Plugs: 3 Pole German Type plug to C13 plug
- Nominal data: 250V AC/10A
- Colour: black / white

**ROLINE GREEN products are marked only with a paper tag and build with halogen-free TPE material, without plastic bags and without plastic cable straps for use in eco-friendly environments.**



Order-No. – P.U.

ROLINE GREEN Power Cable, straight IEC Connector, black, 0,8 m 19.44.1000 – 50

ROLINE GREEN Power Cable, straight IEC Connector, black, 1,8 m 19.44.1001 – 50

ROLINE GREEN Power Cable, straight IEC Connector, black, 3 m 19.44.1002 – 50

ROLINE GREEN Power Cable, straight IEC Connector, white, 0,8 m 19.44.1005 – 50

ROLINE GREEN Power Cable, straight IEC Connector, white, 1,8 m 19.44.1006 – 50

ROLINE GREEN Power Cable, straight IEC Connector, white, 3 m 19.44.1007 – 50

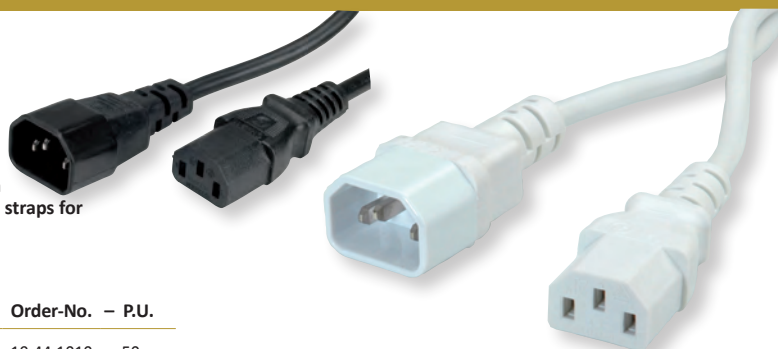


Halogenfree  
Flame retardant  
Low Smoke

### ROLINE GREEN Monitor Power Cable, IEC 320 C14 - C13, LSOH

- Monitor power cable with moulded plugs
- Connectors: IEC 320-C14 plug to IEC 320-C13 plug
- Nominal data: 250V AC/10A
- Colour: black / white

**ROLINE GREEN products are marked only with a paper tag and build with halogen-free TPE material, without plastic bags and without plastic cable straps for use in eco-friendly environments.**



Order-No. – P.U.

ROLINE GREEN Monitor Power Cable, IEC 320 C14 - C13, black, 0,8 m 19.44.1010 – 50

ROLINE GREEN Monitor Power Cable, IEC 320 C14 - C13, black, 1,8 m 19.44.1011 – 50

ROLINE GREEN Monitor Power Cable, IEC 320 C14 - C13, black, 3 m 19.44.1012 – 50

ROLINE GREEN Monitor Power Cable, IEC 320 C14 - C13, white, 0,8 m 19.44.1015 – 50

ROLINE GREEN Monitor Power Cable, IEC 320 C14 - C13, white, 1,8 m 19.44.1016 – 50

ROLINE GREEN Monitor Power Cable, IEC 320 C14 - C13, white, 3 m 19.44.1017 – 50



Halogenfree  
Flame retardant  
Low Smoke



## Test / Measurement / Tools

|   |             |
|---|-------------|
| Cable Testers / Network Tools . . . . .           | 8.02 – 8.03 |
| Non-Contact Voltage Tester . . . . .              | 8.02        |
| HOBBS Products . . . . .                          | 8.02 – 8.04 |
| Crimping Pliers / Tools . . . . .                 | 8.05 – 8.07 |
| Fiber Optic Cleaning Tools . . . . .              | 8.07        |
| Service Kits . . . . .                            | 8.08 – 8.09 |
| Cable Ties / Installation Tools / Clips . . . . . | 8.09        |
| Cable Tunnel Organizers . . . . .                 | 8.10        |

### VALUE LAN Quicker Cable Tester

- For the quick test of RJ-45/UTP, RJ-45/STP cabling
- OPEN, SHORT and CROSS test function
- LED indicator on both main unit and remote unit
- Beep sound warning
- Step/Auto select function
- Low battery indication
- Auto power off

- Small size, easy to carry
- Carrying case included
- Ideal for LAN installation
- Dimensions: 104 x 78 x 33 mm
- Contents: Cable tester, 9V battery, carrying case



Order-No. – P.U.

VALUE LAN Quicker Cable Tester

13.99.3001 – 5

### VALUE LAN Cable Multifunction Tester

- The tester can check UTP and STP Cat.5e, Cat.6, Cat.6a and coaxial cables
- It can identify and locate the distance to an open or short circuit
- Uses TDR (Time Domain Reflectometer) to measure the length and distance to the defective of a cable

- Identification of wiring and pin assignment
- LCD backlight display
- Low battery indication



Order-No. – P.U.

VALUE LAN Cable Multifunction Tester

13.99.3002 – 1

### VALUE LANtest Multi-Network Cable + PoE Tester

- Continuity testing of coax cables with BNC connectors and 8-pole data lines w. fitted RJ-45 connectors
- The device recognises open and short-circuited (wire/wire or wire/shield) connections
- A two-line display (LEDs) indicates sequentially which pin of the RJ-45 connector at cable end A is connected with which pin at cable end B and manual or automatic switch advancing is possible; in the case of a short-circuit more than two LEDs light up simultaneously

- The device has 2 RJ-45 sockets; with the supplied Remote Kit cables laid in the wall can also be tested
- Two adapter cables (BNC/RJ-45) are supplied for testing coax cables
- PoE check- the PoE Finder allows the network administrator to find out if a network cable is supplied via PoE. Just plug in the network cable that has to be tested. The LED of the PoE finder will shine if the cable is supplied with power.
- Battery (not included in delivery): 1x E-block 9V (6LR61/AM-6)



Order-No. – P.U.

VALUE LANtest Multi-Network Cable + PoE Tester

13.99.3003 – 5

### VALUE Non-Contact Voltage Tester, 1000V, with Flashlight

**Non-contact, automatic voltage test for voltages from 12-1000V AC for a wide range of applications**

- Provides non-contact detection of AC voltage
- Detects 12 to 1000V AC with simultaneous visual and audible voltage indicators
- Bright flashlight illuminates work area and may be used independent of voltage detection function
- Visual LED indicates the presence of voltage- the higher the voltage sensed, or the closer to the voltage source, the more LEDs light up
- Bar graph visual voltage indicator utilizes up to five vibrant LEDs for easy

interpretation/viewing

- Audible voltage indicator beeps at a greater frequency the higher the voltage that is sensed, or the closer to the voltage source
- "Auto Power-Off" conserves and extends battery life
- Screw-thread battery cap with O-ring ensures protection against dust and water ingress
- Lightweight, compact tool with pocket clip provides convenient storage and quick access



Order-No. – P.U.

VALUE Non-Contact Voltage Tester, 1000V, with Flashlight

19.99.5079 – 10

### HOBBS LANtest Multinetwork Cable Tester

- Continuity testing of coax cables with BNC connectors and 8-pole data lines w. fitted RJ-45 connectors
- The device recognises open and short-circuited (wire/wire or wire/shield) connections
- A two-line display (LEDs) indicates sequentially which pin of the RJ-45 connector at cable end A is connected with which pin at cable end B and manual or automatic switch advancing is possible; in the case of a short-circuit

- more than two LEDs light up simultaneously
- The device has 2 RJ-45 sockets; with the supplied Remote Kit cables laid in the wall can also be tested
- Two adapter cables (BNC/RJ-45) are supplied for testing coax cables
- Battery (not included in delivery): 1x E-block 9V (6LR61/AM-6)

Order-No. – P.U.

HOBBS LANtest Multinetwork Cable Tester

13.01.3383 – 4



Hobbes  
INNOVATION





## HOBBS Network Cable Tester Products

### Network Cable Testers

It enables the technician to troubleshoot the network by identifying specific faults with a range of features, such as cable crimping, wiring continuity testing, cable tracing, PoE type identifying, cable organizing, cable length testing, switch port blinking and much more.



|   | Order-No. – P.U. |
|---|------------------|
| HOBBS GIGA-X Network Cable Tester (256800)                            | A 13.01.3345 – 2 |
| HOBBS LAN Idgiga Link Tester, Port Finder & PoE Tester (256655G)      | B 13.01.1557 – 4 |
| HOBBS LANsmart Pro & SmartProbe Kit (256003PK)                        | C 13.01.1558 – 1 |
| HOBBS LANsmart Pro, Network Cable Tester (256003PRO)                  | D 13.01.3267 – 5 |
| HOBBS LANtest Basic Network Cable Tester, 20. (256551/20TH)           | 13.01.3269 – 4   |
| HOBBS LANtest Kit, Multi-Network Modular Cable Tester (256551)        | E 13.01.3383 – 4 |
| HOBBS LANtest Pro Network Cable Tester, incl. 4 Remotes (256652A/IDT) | F 13.01.3270 – 2 |
| HOBBS LANtest Pro Network Cable Tester (256652A)                      | G 13.01.3379 – 4 |
| HOBBS NETmapper (256850)  | H 13.01.3262 – 5 |
| HOBBS NETmapper Pro (256850PRO)                                       | J 13.01.3275 – 5 |
| HOBBS NETmapper Pro & SmartProbe Kit (256850PK)                       | K 13.01.3274 – 1 |
| HOBBS Network Installation Kit (HT-4016)                              | L 13.01.3292 – 4 |
| HOBBS Probe (256712A)   | 13.01.1556 – 4   |
| HOBBS PoEsmart - PoE Inline Tester (256320)                           | 13.01.3280 – 6   |
| HOBBS SMARTone & SMARTprobe Kit (256713D)                             | 13.01.3273 – 4   |
| HOBBS SMARTone, Digital Cable Locator Tone Generator (256711D)        | 13.01.3272 – 4   |
| HOBBS SURVltest, CCTV Tester for IP/HD Coax/Analogue (HST321)         | 13.01.3291 – 1   |
| HOBBS Tone Generator (256711A)  | 13.01.3271 – 4   |
| HOBBS Tone Generator & Probe Kit (256713A)                            | 13.01.1555 – 2   |
| HOBBS Tooltest, Crimping Tool + Cable Tester (HTC-0022)               | M 13.01.3358 – 5 |
| HOBBS LANtest Multinetwork PoE Cable Tester(256551P)                  | N 13.01.3371 – 4 |



**HOBBS Fiber Optic Products (OptiSource / Tool Kit / Cable Tester / Cleaning)**

**Fiber Optic Testers**

- It supports technicians during fiber testing and fiber optic signal identifying. It is suitable for verification testing and troubleshooting during fiber installation and maintenance.



**Order-No. – P.U.**

|  |   |            |      |
|--|---|------------|------|
| HOBBS OPTISource 850-1300 nm (257821)                              | A | 13.01.3263 | – 2  |
| HOBBS OPTISource 850-1300-1310-1550 nm (257823)                    | B | 13.01.3264 | – 2  |
| HOBBS Fiber Optic Tool Kit incl. Fiber Checker Pro (HT-F3033FC5)   | C | 13.01.3288 | – 2  |
| HOBBS Fiber Checker Pro II + LC Adapter (FC-2009A)                 | D | 13.01.3282 | – 2  |
| HOBBS Fiber Checker Pro + LC Adapter (FC-2005A)                    | E | 13.03.3389 | – 5  |
| HOBBS 2.50 mm to 1.25 mm LC Adapter (FA-003)                       | F | 13.01.3372 | – 10 |
| HOBBS Fiber Checker Pro Cable Tester (FC-2005)                     | G | 13.01.3377 | – 5  |
| HOBBS Basic Fiber Optic Tool Kit (HT-F3033) (HT-K3032)             | H | 13.01.3290 | – 2  |
| HOBBS CLEANSSETTE Optical connector cleaner, Cassette (FCT-C410)   | J | 13.01.3283 | – 10 |
| HOBBS Optical connector cleaner, dispos. cleaning reel (FCT-CR001) | K | 13.01.3284 | – 10 |
| HOBBS SMARTFiber Pro (257835PRO)                                   |   | 13.01.3276 | – 1  |

**HOBBS INNOTEST Module Cable Tester / TEST-i All-in-One cable/Interface Test**

**The INNOTEST - All-in-One Universal Cable Tester/BBU Baseband Unit Interface Tester**

- Module design cable tester
- The module of INNOTEST- All-in-One Universal Cable Tester/BBU Baseband Unit Interface Tester can be removed and replace with the connector type that you need.
- Test not only each pins connection to identify open wires, shorted wires, cross wires, and mis-wires, it also shows pin-to-pin connectivity of your cable.
- All-in One cable tester supports more than 20 types of connectors.

**TEST-i Pro - All-in-One Universal Cable Tester/BBU Baseband Unit Interface Tester**

- Includes wire mapping function to test each pins connection to identify opened, shorted, crossed, and mis-wires. It also shows pin-to-pin connectivity, and can save up to 100 test results. The crucial data can be saved and uploaded to a PC via USB interface for analysis. Furthermore, it also includes built-in extension port for user needs additional types of cable testing that is not included in standard TEST-i Pro- All-in-One Universal Cable Tester/BBU Baseband Unit Interface Tester.



**Order-No. – P.U.**

|  |   |            |     |
|--|---|------------|-----|
| HOBBS INNOTEST Module Cable Tester, Module Kit, Case (258012IM-002)      | A | 13.01.3277 | – 2 |
| HOBBS INNOTEST Module Cable Tester, HDMI Module Kit, Case (258012IM-004) | B | 13.01.3278 | – 2 |
| HOBBS TEST-i All-in-One cable/interface test (258898)                    | C | 13.01.3266 | – 1 |

### Network Tool Set

- **1x Punch Down Tool** - for inserting wire into insulation-displacement connectors on e.g. punch down blocks, patch panels, keystone modules, surface mount boxes
- **1x LAN Tester**
  - Line tester for continuity test of Cat.5/6/6A and ISDN network lines
  - Separate receiver for long length cable, the main unit and separate receiver can be attached to each other via a lateral guide rail
  - Connection test with LED display for 8 single wires and shielding / detection of continuity, misalignment, interruption, short circuit, crossover cable
  - Power supply via 9VDC block battery (not supplied)
  - Compatible with the following connectivity modular plugs: RJ45 (8P8C), RJ12 (6P6C), RJ11 (6P4C, 6P2C)
  - Supported network standards: 10Base-T, 10Base-T2, 285A, TIA568A / 568B
- **1x Cable Stripper** - with 4 different blades for cutting the PVC jacket of cables of various sizes
- **1x RJ45 Crimping Tool**



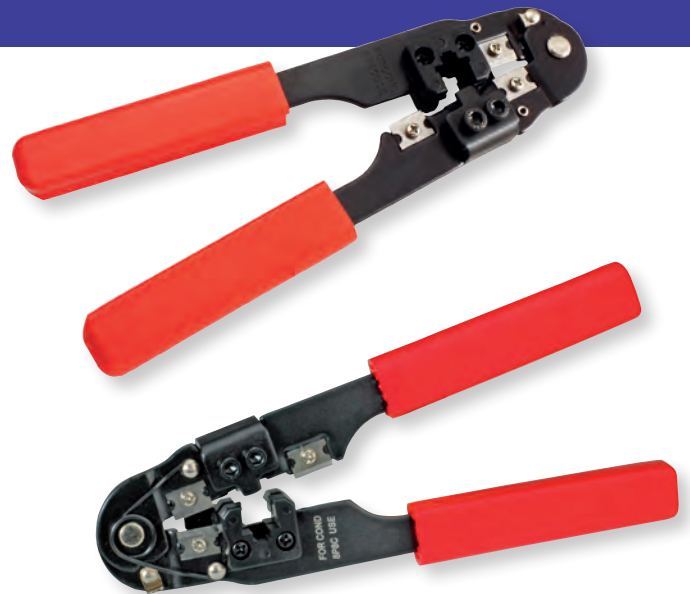
Order-No. – P.U.

Network Tool Set, 4 pcs.

19.06.2034 – 10

### VALUE Crimping Tool 8P8C

- Solid metal pliers for cutting, stripping and crimping
- For RJ-45 connectors with 8 pins and 8 contacts



Order-No. – P.U.

VALUE Crimping Tool 8P8C

25.99.8791 – 5

### Crimping Tool 8-Pin 8-Contact

- Solid metal pliers for cutting, stripping and crimping
- For RJ45 connectors with 8 pins and 8 contacts



Order-No. – P.U.

Crimping Tool 8-Pin 8-Contact

19.06.1020 – 10

### VALUE Multifunction Crimping Tool 8P+6P+4P

- For 4/6/8-pole modular plugs
- Suitable for cutting, insulation removal (ribbon cable) and crimping
- Fitted with a forced lock with unlocking capability in the case of incorrect use
- Universally usable
- Robust metal tongs



Order-No. – P.U.

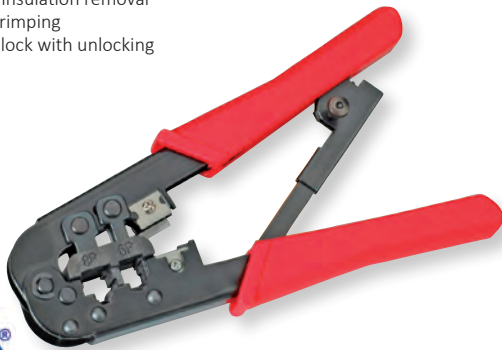
VALUE Multifunction Crimping Tool 8P+6P+4P

25.99.8790 – 5



### VALUE Universal Crimping Tool 8P6P, 6P4C

- For 6/8-pole crimping modular plugs (RJ-11, RJ-12, RJ-45)
- Suitable for cutting, insulation removal (ribbon cable) and crimping
- Fitted with a forced lock with unlocking capability
- Universally usable
- Robust metal tongs



Order-No. – P.U.

VALUE Universal Crimping Tool 8P6P, 6P4C

25.99.8792 – 5

### VALUE Universal Modular Crimping Tool

- For crimping modular plug: 8p8c/RJ-45, 6p6c/RJ-12 and 6p4c/RJ-11
- Suitable for cutting, insulation removal (ribbon cable) and crimping
- Fitted with a forced lock with unlocking capability

- Universally usable
- Robust metal tongs



Order-No. – P.U.

VALUE Universal Modular Crimping Tool

19.06.1021 – 5

### VALUE Universal Crimping Tool for Modular Plugs

- For 4/6/8-pole modular plugs from AMP System WE or DEC (RJ-12 and MMJ)
- Suitable for cutting, insulation removal (ribbon cable) and crimping
- Fitted with a forced lock with unlocking capability in the case of incorrect use
- Universally usable
- Robust metal tongs



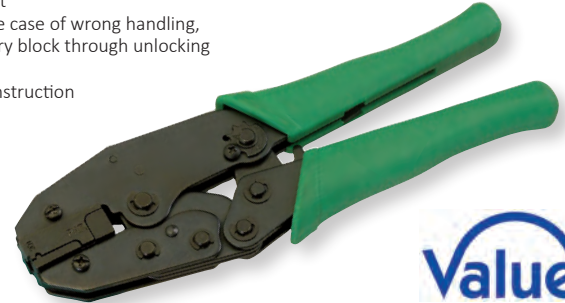
Order-No. – P.U.

VALUE Universal Crimping Tool for Modular Plugs

19.06.1048 – 5

### VALUE Crimping Tool for Hirose RJ-45 Plug, TM11/TM21

- Special crimping tool only suitable for HiRose modular plugs TM11
- Presses the connectors and the housing screening together in one movement
- In possible case of wrong handling, compulsory block through unlocking function
- Stable construction
- Metal



Order-No. – P.U.

VALUE Crimping Tool for Hirose RJ-45 Plug, TM11, green

19.06.1029 – 5

VALUE Crimping Tool for Hirose RJ-45 Plug, TM21, blue

19.06.1031 – 5

### VALUE Universal Wire Stripper

- Light weight, compact, cost-effective stripper, simple to operate.
- Adjustable stripping blade for different insulation thickness, prevents damage of shielding and conductors
- For stripping coaxial cables RG59, RG6, RG7/11

- For stripping round networking cables
- For stripping flat 4P/6P/8P telephone cables
- The cassette can be reversed to change different coaxial cables
- For cutting cables
- Weight: ca. 70 g



Order-No. – P.U.

VALUE Universal Wire Stripper

25.99.8793 – 6

### VALUE IDC Tool

- Excellent value for money
- Punch down tool for terminating into Cat. 5 patch panels with IDC blocks



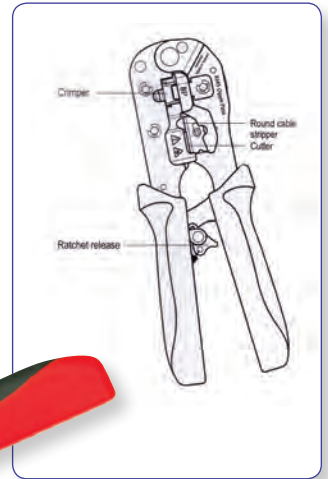
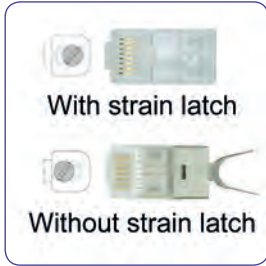
Order-No. – P.U.

VALUE IDC Tool

25.99.8799 – 20

### VALUE Universal Crimping Tool 8P/8C

- For 8-pole crimping modular plugs (RJ45) with or without strain latch
- Suitable for cutting, insulation removal (ribbon cable) and crimping
- Fitted with a forced lock with unlocking capability
- Universally usable
- Robust metal tongs



Order-No. – P.U.

VALUE Universal Crimping Tool 8P6P, 6P4C

25.99.8794 – 5

### VALUE Fibre Optic Universal-Cleaning



- Application range: can be used for any optical fiber cables plug type independently
- The cassette cleaner wipes away contaminants from optical connector end face
- Designed for all types of connectors
- Compact size for easy hand-held operations
- Dry-clean without the use of harmful substances
- Cleaning micro fibers are densely stranded and debris free
- Constructed with anti-static material
- Up to 500 cleanings per unit possible
- Contents: 100 Cleaning-Tissues



Order-No. – P.U.

VALUE Fibre Optic Cleaning Cassette

13.99.3005 – 5

### VALUE Twisted Pair Separation Tool (0.8mm —1.8mm)

- Perfect preparation tool works on UTP / STP twisted pair wires before installation
- Untwists each pair and straightens individual wire faster and efficiently
- Spring-loaded design without damaging or stretching to twisted pairs during separation.
- Double-ended and both sides front and back insertion suitable for left/right-handed used.
- Reduces your finger pressure on tedious work, makes job simpler and more comfortable.



Order-No. – P.U.

VALUE Twisted Pair Separation Tool (0.8mm —1.8mm)

19.99.1005 – 14

### Electronic Mini Screwdriver Set, 12-in-1

- This kit is perfect for technicians, do-it-yourself or anyone who needs to carry a useful precision tool while travelling
- High quality CRV steel material, with deluxe leather bag
- Ideal for repairing glasses, mobiles, electronic & computer or any precision equipment
- Contents:
  - 1 handle with fast chuck
  - 3 Philips screw bits PH000, PH00, PH0
  - 3 slotted screw bits 1.5, 2, 2.5 mm
  - 6 T-screw bits T5, T6, T7, T8, T9, T10



Order-No. – P.U.

Electronic Mini Screwdriver Set, 12-in-1

19.06.2032 – 20

### VALUE Laptop and Smartphone Repair Tool Kit, 24 Pieces

**24-piece tool set for precision work, e.g. for repairing smartphones, tablets, notebooks, cameras or game consoles.**

- Complete, comprehensive kit
- It includes the essential tools for the repair and refurbish market
- It allows the opening of Smartphones, Smartwatches, Tablets, Notebooks and other electronic devices such as video game consoles or cameras.

- 16 Precision Bits
  - Philips: PH000, PH00, PH0, PH1
  - Slot: 2.0
  - Torx: T4, T5, T6, T8, T10
  - Pentalobe: P2, P5, P6 (iPhone, MacBook Air, MacBook Pro))
  - HEX: H2.0
  - Triwing: TRI 0, TRI 1
- Contents: Repair Tool Kit, 24 pieces

**Kit includes:**

- Opening and prying tools
- 1x Precision Screwdriver
- 1x Suction Cup
- 2x Mini Pry Bar
- 1x Needle
- 1x Storage Box
- 1x Triangle Puller
- 1x 120mm Stainless Tweezer

**Value**<sup>®</sup>



Order-No. – P.U.

VALUE Laptop and Smartphone Repair Tool Kit, 24 Pieces

19.99.2047 – 10

### Computer Tool Case, 61-piece

**Ideal for electronic / electric telecommunications and computer service workers**

It includes all the most frequently need to repair or maintenance computer or TV, radio set and other electronic equipments.

**• Contents:**

- 25 Watt soldering iron
- Soldering iron stand
- 15 gr. solder
- Vacuum desoldering tool
- Fine point/cutting probe
- 3-prong retriever
- IC inserter/extractor
- Crimping tool wire cutter stripper
- Inspection mirror
- 102 mm precision long-nosed pliers
- 89 mm precision diagonal cutting pliers
- Screwdriver handle w/nut driver head

- 6 mm
- Philips bit: #1, #2, #3
- Slotted bit: 4 mm, 5 mm, 6 mm
- Hex bit: 1.5 mm, 2 mm, 2.3 mm, 3.1 mm, 4 mm
- T-Bit: T5, T8, T10, T20
- Nut-driver: 6 mm, 5 mm, 5.5 mm, 7.9 mm, 7.1 mm
- Precision screwdriver Philips: #0
- Slot: 3.1 mm
- Magnetic telescoping P/U tool
- Stainless tweezers
- Stainless clamp on tweezers
- Snap-Blade knife
- Parts tube
- Part box
- 20 ties



Order-No. – P.U.

Computer Tool Case, 61-piece

19.06.2040 – 7



### PC Troubleshooting Tool Set, 145-piece

This tool case is perfect for the computer, electronics and do-it-yourselfer. It includes all the most frequently need to repair or maintenance computer or TV, radio set and other electronic equipments.

**• Contents:**

- 3 way ratchet driver with storage
- Hollow star bits: T-8H, T-10H, T-15H, T-20H, T-25H, T-27H, T-30H, T-35H, T-40H
- Hex key set: 2 mm, 2.4 mm, 2.8, 3.2 mm, 3.6 mm, 4 mm
- Metric hex key set: 2 mm, 2.5 mm, 3 mm, 4 mm, 5 mm, 6 mm
- Spanner set: 4, 9, 8, 10
- Tri-wing set: 1, 2, 3, 4
- Torq set: 6, 8, 10
- Solid star bit: T-8, T-10, T-15, T-20, T-27
- #1 pozidriver bit
- #4 and #6 slotted bits
- #1 Philips bit
- Square bit: 50, 51, 52, 53
- Nutdriver socket adapter
- Bit holder
- 5-pc. nutdriver set: 4.7 mm, 6.4 mm, 7.9 mm, 8.7 mm, 9.5 mm
- 5-pc. metric nutdriver set: 6mm, 7mm, 8mm, 9mm, 10mm
- Tweezers

- Pen knife
- Needle nose pliers
- Diagonal cutting pliers
- 6-pc. precision screwdriver set.
- Insulated chip extractor
- 3 pronged parts retriever
- Magnetic telescope picking up tool
- Flash light
- Wire strippers
- Deluxe wire strippers
- PC board brush
- Electrical PCV tape
- Soldering iron
- Solder remover
- Solder wire
- Solder stand
- Metal hammer with rubber
- 9 wrenches
- Mini vacuum cleaner witch accessories
- 1 scalpel
- 20 cable ties
- 1 set with cable terminal attachments



Order-No. – P.U.

PC Troubleshooting Tool Set, 145-piece

19.06.2031 – 5

### VALUE Strap Cable Binder with Flap

VALUE cable ties for simple, fast and flexible cable management - thanks to the detachable strap fastener, cable routing can be adjusted at any time

- Easy to close and reopen
- Neutral and without logos for unobtrusive use
- Ideal for sensitive cables and also for thicker cable harnesses
- Low pressure load on the cable bundle and therefore also ideally suited for fiber optic cables
- Reusable straps with flap
- 15cm length
- 20 pieces per package
- Contents: 20 strap cable ties



Order-No. – P.U.

VALUE Strap Cable Binder with Flap, black, 15 cm, 20 pieces/set

25.99.5240 – 10

### VALUE Strap Cable Tie Roll, Width 10mm

VALUE Strap tape roll with 10mm width and 25m length for clear cable routing - can be cut to size as required and can therefore be adapted for thin or thick cable strands depending on the application

- 10mm width and 25m length
- Contents: 1x VALUE strap band on roll, 10mm wide, 25m long

- Easy to close and reopen
- Neutral and without logos for unobtrusive use
- Ideal for sensitive cables and also for thicker cable harnesses
- Very low pressure load on the cable bundle and therefore also ideally suited for LWL / fiber optic cables
- The length of the cable tie can be cut according to requirements



Order-No. – P.U.

VALUE Strap Cable Tie Roll, Width 10mm, black, 25m

25.99.5250 – 5

Strap Cable Tie Roll, Width 10mm, green, 25m

25.99.5251 – 5

Strap Cable Tie Roll, Width 10mm, yellow, 25m

25.99.5252 – 5

Strap Cable Tie Roll, Width 10mm, red, 25m

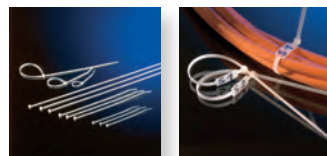
25.99.5253 – 5

Strap Cable Tie Roll, Width 10mm, blue, 25m

25.99.5254 – 5

### Cable Ties / Cable Tie Installation Tool

- Range of cable ties suitable for general cabling use in all indoor or outdoor applications
- Available in 4 different length (15 cm, 25 cm, 30 cm, 44 cm) and 2 different width (3.7 mm, 4.8 mm)
- Additional description field (suitable only for 19.08.3276)
- Polybag with 100 pieces each



Order-No. – P.U.

Cable Tie, 3.7 mm, angled, 15 cm

19.08.3270 – 200

Cable Tie, 4.8 mm, angled, 25 cm

19.08.3272 – 100

Cable Tie, 4.8 mm, 44 cm

19.08.3274 – 60

Cable Tie, 4.8 mm, with description field, 30 cm

19.08.3276 – 80

VALUE Cable Tie Gun

19.06.1000 – 8

### VALUE Cable Tie Removal Tool

- Tool operation: actuate trigger until cut-off occurs.
- Cut-off depends on the tension setting selected
- Sharp Blade to cut the tie or the head of the cable tie in a simplest way
- Ergonomic Dual-Color Grip
- Handle Lock for better storage
- Spring-loaded for quick opening



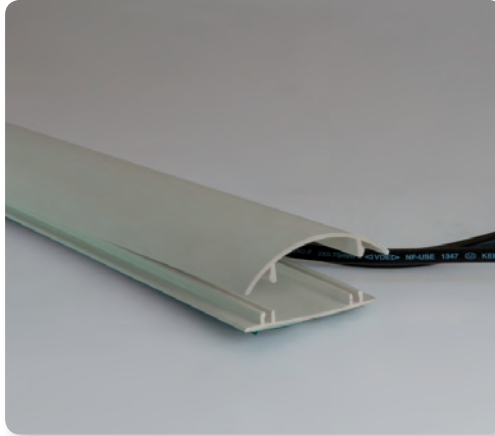
Order-No. – P.U.

VALUE Cable Tie Removal Tool

19.99.1007 – 10

## VALUE Cable Tunnel Organizer

- Ideal for cable management
- Applicable for all computer cables
- Stable and resistant material, ideal use as a floor cable tunnel
- Bottom of tunnel has pressure sensitive tapes
- Color: Dark grey
- Dimensions (LxW): 100 cm x 6 cm
- Content: 1 cable-tunnel



Order-No. – P.U.

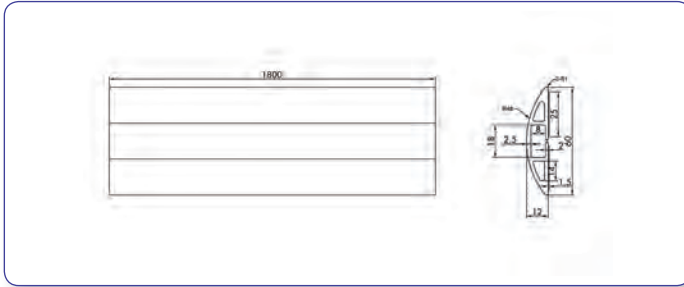
VALUE Cable Tunnel Organizer, Closed, 6 cm x 100 cm

19.99.3235 – 20

## ROLINE Flex Cable Duct, TPE, 60mm, 1.8m

The cable bridge not only covers the cables lying on the floor, it also prevents stumbling hazards. The cable bridge has sloping non-slip sides and has three cable passages that separate data and power cables to prevent signal interference.

- Protects against stumbling hazards
- Three channels
- Voltage and data cables separated
- Dimensions (WxDxH): 60 x 1800 x 12 mm
- Color: black
- Adhesive pads



Order-No. – P.U.

ROLINE Flex Cable Duct, TPE, 60mm, black, 1.8 m

19.08.3105 – 8

**roline**<sup>®</sup>  
Designed for Professionals

## ROLINE PVC Cable Conduit, Self Closing / Strap Closing

### Simple and clean solution for professional cable management

- No more cable clutter under, next to or behind the workstation, TV or stereo system
- The self-rolling ROLINE polyester fabric hose solves your problem and can be attached easily and practically.
- Simply put over the cables to be bundled- without any feeding aid or tools
- No cables or plugs have to be dismantled.

- Fabric hose can be cut to the desired length and bundles cables up to 25mm diameter.
- Protects your cable and is heat resistant

**roline**<sup>®</sup>  
Designed for Professionals

Order-No. – P.U.

ROLINE PVC Cable Conduit, Self Closing, black, 2.5 m

A 19.08.3160 – 10

ROLINE PVC Cable Conduit, Strap Closing, black, 2.5 m

B 19.08.3161 – 10





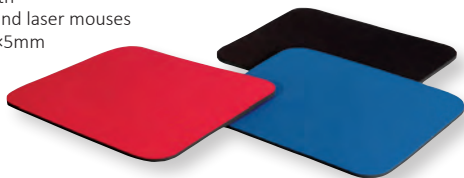
## Office Equipment / Consumables

|  |                  |
|--|------------------|
| Mouse Pads . . . . .                     | 9.02             |
| Wristrests . . . . .                     | 9.02             |
| VESA Adapters . . . . .                  | 9.03             |
| LCD Monitor Arms / Mounts . . . . .      | 9.04 – 9.14      |
| Wall Mount Workstation . . . . .         | 9.15             |
| Mobile PC Cart . . . . .                 | 9.16 – 9.17      |
| PC Holder . . . . .                      | 9.16 – 9.19      |
| Wall / Ceiling Projector Mount . . . . . | 9.19             |
| Underdesk Mount for NUC/KVM . . . . .    | 9.20             |
| Cable Organizer . . . . .                | 9.21             |
| Monitor Stand . . . . .                  | 9.22 – 9.23      |
| Clamp Mount Pegboard . . . . .           | 9.24             |
| PC Workstations . . . . .                | 9.23, 9.25, 9.27 |
| Printer Tables . . . . .                 | 9.26             |
| Cleaning Sets . . . . .                  | 9.28             |
| Open Shelf Mobile Cabinet . . . . .      | 9.28             |



### Mouse Pad, Cloth

- Optimal use on smooth surfaces
- Upper layer: Nylon cloth
- Optimized for optical and laser mice
- Dimensions: 255x215x5mm
- Colour: Black



Order-No. – P.U.

|                         |                 |
|-------------------------|-----------------|
| Mouse Pad, Cloth, black | 18.01.2040 – 50 |
| Mouse Pad, Cloth, blue  | 18.01.2041 – 50 |
| Mouse Pad, Cloth, red   | 18.01.2042 – 50 |

### Laser Mouse Pad

- Mouse pad for optical mice, ideal also for laser mice
- Ultra flat and anti slip surface
- Dimensions: 220 x 180 x 0.4 mm
- Note: Mouse is not included in delivery



Order-No. – P.U.

|                        |                  |
|------------------------|------------------|
| Laser Mouse Pad, black | 18.02.2006 – 200 |
|------------------------|------------------|

### ROLINE Notebook Combo Mousepad (280 x 160 x 1mm)

Perfect fit between most Macbooks, Ultrabooks, Notebooks/Laptops - suitable for cleaning your display/device, as a mousepad and to protect the Notebook keyboard from dirt and dust!

- Designed for professional gamers and office environments
- Provides excellent gliding of the mouse
- Natural rubber base for maximum grip on any surface
- Excellent performance for laser and optical mice
- Material: Surface: high performance textile surface / Base: nature rubber
- Colour: Black



Order-No. – P.U.

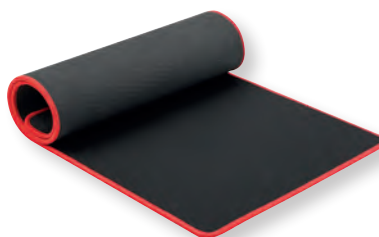
|   |                 |
|---|-----------------|
| ROLINE Notebook Combo Mousepad (280x160x1mm), black | 18.01.2049 – 20 |
|---|-----------------|

**roline**<sup>®</sup>  
Designed for Professionals

### ROLINE Desk Pad, Keyboard and Mouse Pad

The perfect desk pad - big enough for keyboard and mouse, it has a rubberized underside and a silky smooth surface for precise, low-friction movement.

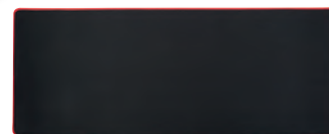
- Excellent sliding ability for the mouse, enough space for the keyboard
- Particularly fine weave of the surface textile for high speed and high accuracy
- Rubberized underside for maximum grip on any surface
- Good wrist support- low height difference between mat and desk
- Highest performance for laser and optical mice
- Red decorative seam as edge protection
- Material: Top side: Special high-performance textile / Underside: Rubberized
- Dimensions: 780 x 300 x 5 mm
- Color: Black / Red



**roline**<sup>®</sup>  
Designed for Professionals

Order-No. – P.U.

|   |                 |
|---|-----------------|
| ROLINE Desk Pad, Keyboard and Mouse Pad | 18.01.2048 – 25 |
|---|-----------------|



### Silicon Mousepad with Wristrest, transparent blue

- During work with your Mouse your wrist can rest on the integrated Palmrest
- The silicon filling will adapt itself to your wrist, effective support will help you in giving you a relaxed feeling once working with your mouse
- Colour: transparent blue
- Dimensions: 227 x 250 x 22 mm
- Note: Mouse is not included in delivery

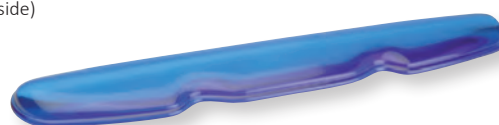


Order-No. – P.U.

|   |                 |
|---|-----------------|
| Silicon Mousepad with Wristrest, transparent blue | 18.01.2029 – 24 |
|---|-----------------|

### Silicon Wrist Pad for Keyboard, transparent blue

- Great outcome for frequent PC users; it will reduce the danger of RSI (Repetitive Strain Injury)
- The silicon filling will adapt itself to your wrist, effective support will help you in giving you a relaxed feeling once working with your keyboard
- Suitable for all current keyboards (with straight side)
- Colour: transparent blue
- Dimensions: 455x80x22 mm

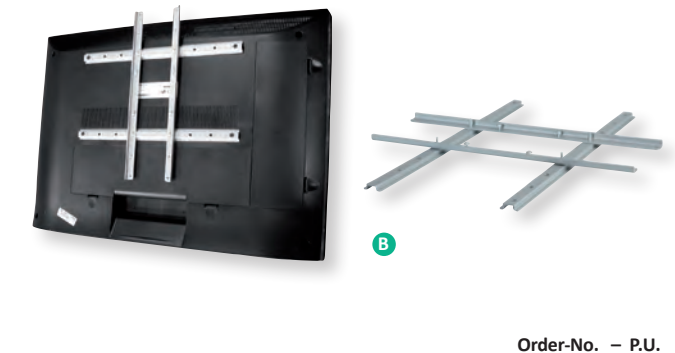
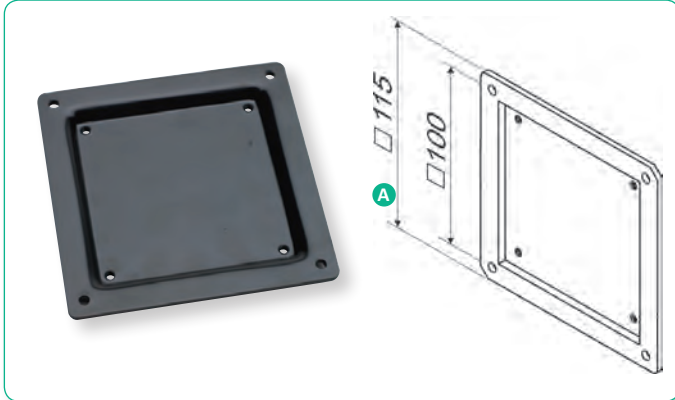


Order-No. – P.U.

|  |                 |
|--|-----------------|
| Silicon Wrist Pad for Keyboard, transparent blue | 18.02.3033 – 20 |
|--|-----------------|

**ROLINE VESA Adapter**

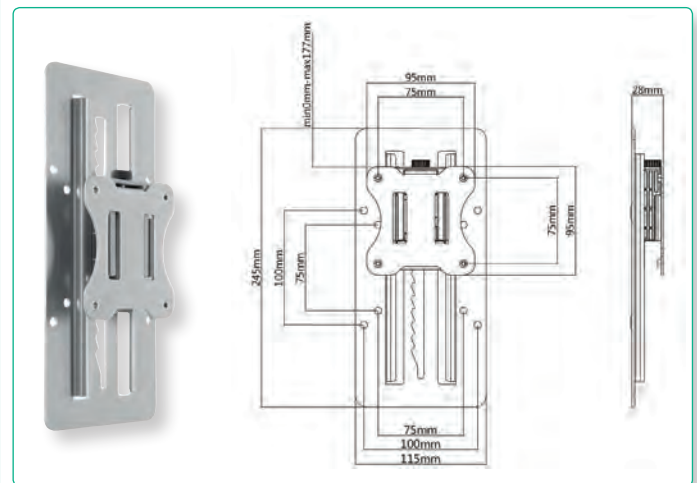
- 17.03.1100:**
  - Accommodates standard VESA 100 compliant monitors (100 x 100 mm resp. 100 x 200 mm) to mounting systems with VESA 75 (75 x 75 mm)
- 17.03.1106:**
  - Accommodates monitors with standard VESA 100, 200 (100 x 200 and 200 x 200 mm) to mounting systems with VESA 100 (100 x 100 mm)
  - Variable adjustable
- 17.03.1103:**
  - Accommodates monitors with standard VESA 400, 200 (400 x 400 mm) to mounting systems with VESA 100 (100 x 100 mm)
  - Variable adjustable



|   | Order-No. - P.U.  |
|---|-------------------|
| ROLINE VESA Adapter, black                                    | A 17.03.1100 - 50 |
| ROLINE VESA Adapter 100x100-100x200/200x200, variable, silver | 17.03.1106 - 20   |
| ROLINE VESA Adapter 100x100-400x400, variable, silver         | C 17.03.1103 - 20 |

**ROLINE Vertical VESA Adjustment Plate**

- Perfect option to add more **VERTICAL** adjustability (15 cm mobility to go up and down) to an existing monitor mount
- Track-mounted monitor holder
- Easy installation on most monitor mounts with standard VESA plates (75mm x 75mm/100mm x 100mm)
- The toothed track keeps the adjustment smooth and stable
- Maximum load up to 8 kg



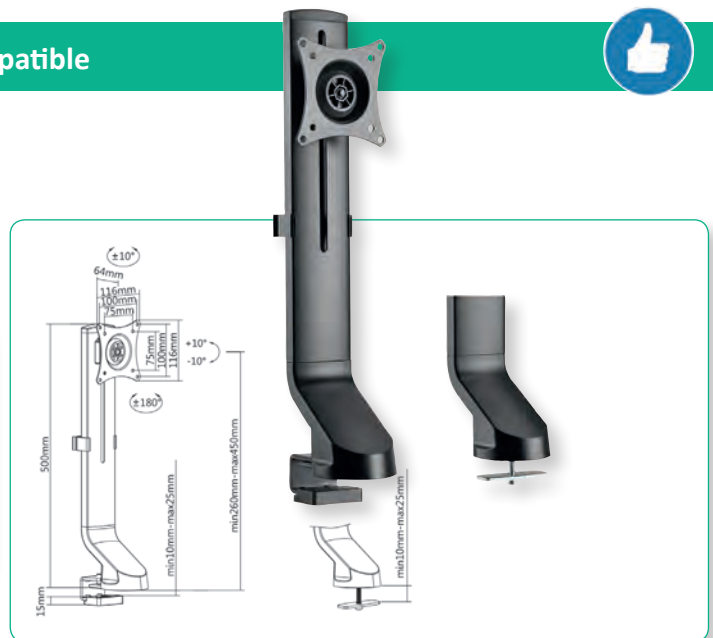
|                                       | Order-No. - P.U. |
|---------------------------------------|------------------|
| ROLINE Vertical VESA adjustment plate | 17.03.1101 - 16  |

**VALUE Single Monitor Arm Sit-Stand Workstation Compatible**



**Stationary monitor arm sit-stand workstation compatible or generally for mounting a monitor on the desk with the smallest space requirement!**

- Single Monitor Arm for Sit-Stand Workstation
- Sleek design blends into various modern interior designs
- Easy-grip knobs for quick tilt and lock
- Cable management
- Provides extra height adjustment range for flat surface sit-stand workstations
- Mounting possibilities: desk clamp mounting
- Max. load capacity: 8kg



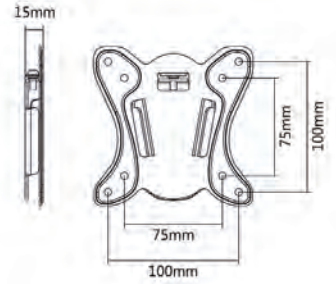
|   | Order-No. - P.U. |
|---|------------------|
| VALUE Single Monitor Arm Sit-Stand Workstation Compatible, 3 Joints | 17.99.1179 - 4   |

VALUE LCD Monitor Wall Mount Kit

- Space saving and solid mounting of a monitor on walls
- Easy to mount with sliding bracket design (2 pieces) - one piece has to be fixed to the wall, the other one has to be screwed with VESA on the monitor
- Slim design, just 15mm from the wall
- Monitor has to be mount from the upside into the wall mount
- Meets with VESA 75 (75 x 75 mm) or VESA 100 (100 x 100 mm)
- Load capacity: 25 kg



Order-No. - P.U.



VALUE LCD Monitor Wall Mount Kit

17.99.1141 - 10

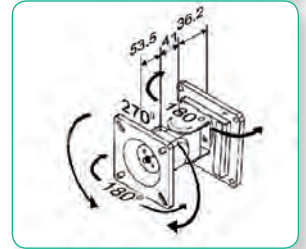
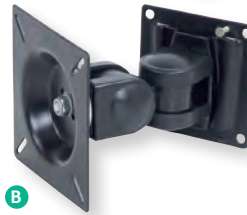
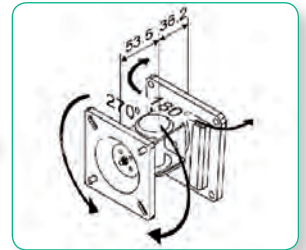
VALUE LCD Monitor Wall Mount Kit

- For screen sizes: 36 cm up to 61 cm
- Weight capacity: up to 15 kg
- Tilttable: 160° up or down
- Swiveling (Pivot function): 270°
- Meets VESA standard VESA 75 (75x75 mm) and VESA 100 (100x100 mm)
- Material: Cold steel construction
- Colour: Black

|                          |                   |                   |
|--------------------------|-------------------|-------------------|
| Technical data:          | 17.99.1120        | 17.99.1121        |
| Fixing:                  | wall mount        | wall mount        |
| Load capacity:           | 15 kg             | 15 kg             |
| Screen size:             | 36 cm up to 61 cm | 36 cm up to 61 cm |
| Pivot function:          | 270°              | 270°              |
| Tilttable up or down:    | 160°              | 180°              |
| Rotatable right or left: | -                 | 180°              |
| Arm length:              | up to 90 mm       | up to 130 mm      |



Order-No. - P.U.



VALUE LCD Monitor Wall Mount Kit, 1 Joint

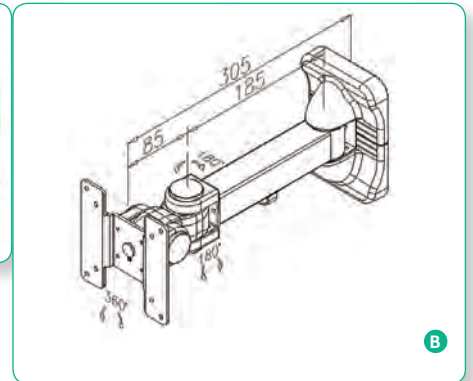
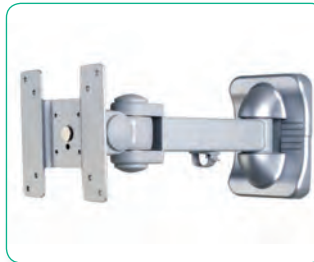
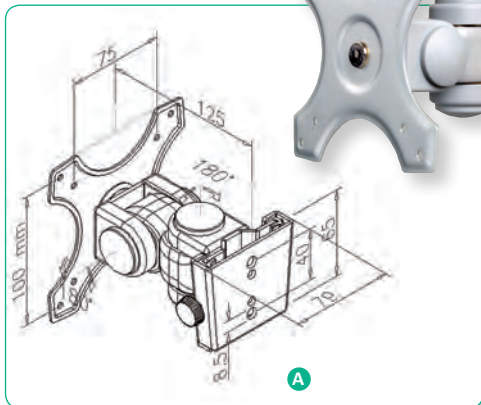
A 17.99.1120 - 10

VALUE LCD Monitor Wall Mount Kit, black, 2 Joints

B 17.99.1121 - 10

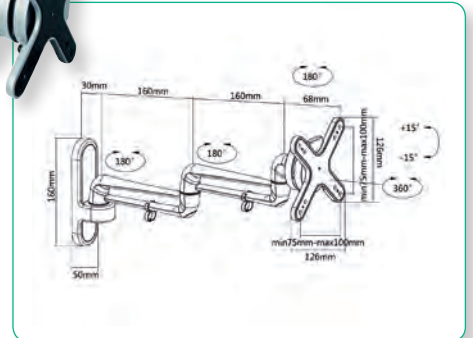
VALUE LCD Monitor Wall Mount Kit

- Space saving and solid mounting of a monitor on walls
- Screen can be swiveled, tilted and rotated
- Easy to mount with sliding bracket design
- Meets with VESA 75 x or 100 x 100 mm



Order-No. - P.U.

|                 |            |             |             |
|-----------------|------------|-------------|-------------|
| Technical data: | 17.99.1125 | 17.99.1126  | 17.99.1129  |
| Fixing:         | wall mount | wall mount  | wall mount  |
| Load capacity:  | up to 8 kg | up to 10 kg | up to 15 kg |
| Pivot function: | yes        | yes         | yes         |
| Arm length:     | 10 cm      | 30 cm       | 41.8 cm     |



VALUE LCD Monitor Wall Mount Kit, 2 Joints

A 17.99.1125 - 12

VALUE LCD Monitor Wall Mount Kit, 3 Joints

B 17.99.1126 - 6

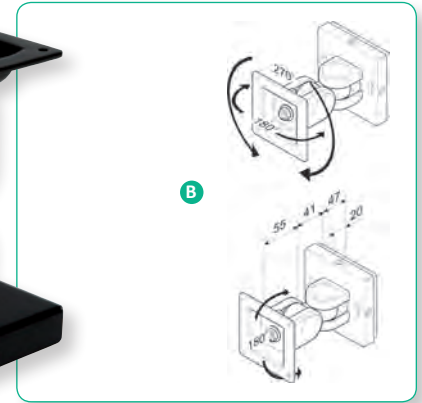
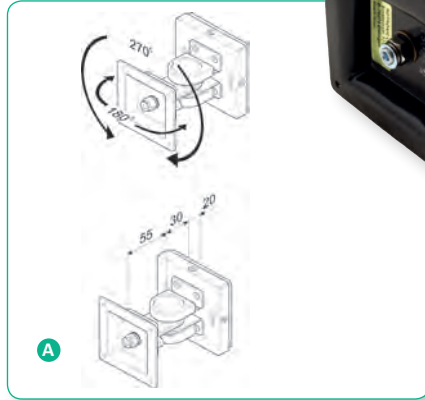
VALUE LCD Monitor Wall Mount Kit, 5 Joints

C 17.99.1129 - 5



## ROLINE LCD Monitor Wall Mount Kit

- Space saving mounting of monitor on walls
- VESA 75 (75 x 75 mm) fixation
- Inclination adjustable over joints
- Pivot function: 270°

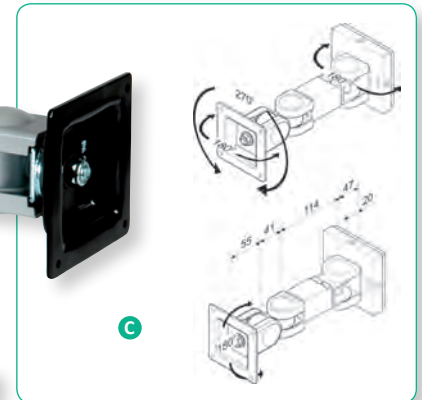


**roline**<sup>®</sup>  
Designed for Professionals

| Technical data: | 17.03.1124 | 17.03.1125 | 17.03.1126 | 17.03.1123 |
|-----------------|------------|------------|------------|------------|
| Fixing:         | wall mount | wall mount | wall mount | wall mount |
| Load capacity:  | 1-6 kg     | 1-8 kg     | 1-6 kg     | 1-6 kg     |
| Pivot function: | 270°       | 270°       | 270°       | 270°       |
| Arm length:     | 55 mm      | 90 mm      | 200 mm     | 340 mm     |

Order-No. – P.U.

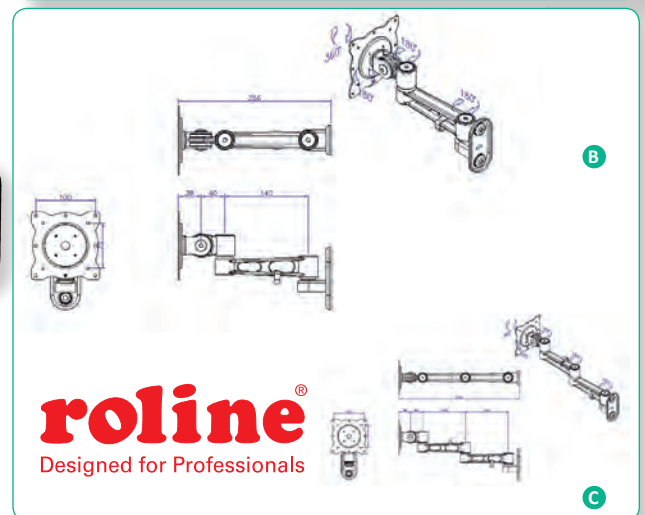
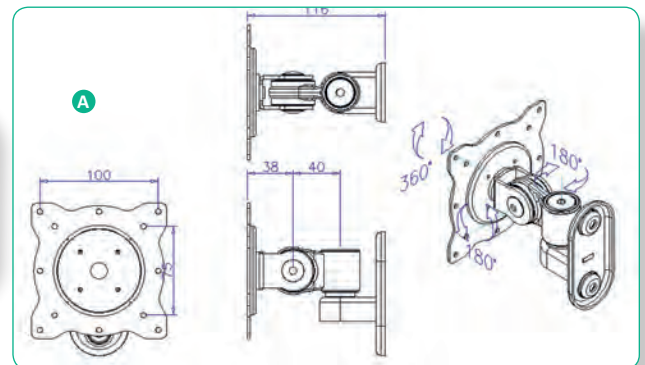
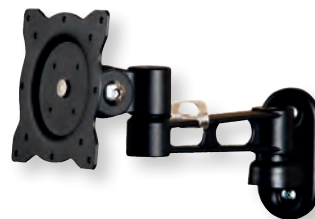
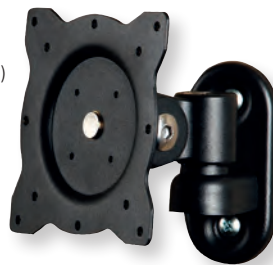
|   |   |            |      |
|---|---|------------|------|
| ROLINE LCD Monitor Wall Mount Kit, 1 Joint            | A | 17.03.1124 | – 12 |
| ROLINE LCD Monitor Wall Mount Kit, 2 Joints           | B | 17.03.1125 | – 12 |
| ROLINE LCD Monitor Wall Mount Kit, 3 Joints           | C | 17.03.1126 | – 12 |
| ROLINE LCD Monitor Arm Standard, Wall Mount, 4 Joints |   | 17.03.1123 | – 6  |



## ROLINE LCD Monitor Arm, Wall Mount

### Swing- and tiltable wall mount for monitors and TVs!

- Aesthetic design offers a pleasant environment
- Broad range of flexibility
- Quick and simple installation
- Rotation: 180° for portrait or landscape viewing (right & left)
- Meets VESA 75 (75 x 75 mm), VESA 100 (100 x 100 mm)
- Solid model made out of black painted iron
- Colour: black



| Technical data:       | 17.03.1196 | 17.03.1197 | 17.03.1198 |
|-----------------------|------------|------------|------------|
| Fixing:               | wall mount | wall mount | wall mount |
| Load capacity:        | 1-10 kg    | 1-10 kg    | 1-10 kg    |
| Pivot function:       | 180°       | 180°       | 180°       |
| Number of pivots:     | 3          | 4          | 5          |
| Tiltable up and down: | 80°        | 80°        | 80°        |
| Arm length:           | 116 mm     | 256 mm     | 395 mm     |

Order-No. – P.U.

|   |   |            |     |
|---|---|------------|-----|
| ROLINE LCD Monitor Arm, Wall Mount, 3 Joints, black | A | 17.03.1196 | – 4 |
| ROLINE LCD Monitor Arm, Wall Mount, 4 Joints, black | B | 17.03.1197 | – 6 |
| ROLINE LCD Monitor Arm, Wall Mount, 5 Joints, black | C | 17.03.1198 | – 6 |

**roline**<sup>®</sup>  
Designed for Professionals

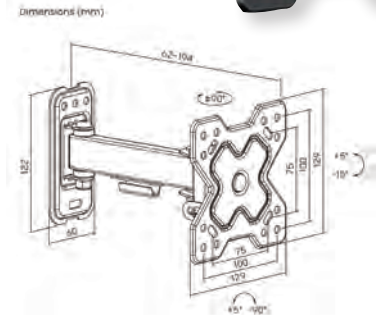


### VALUE TV Monitor Arm, Wall Mount, < 81cm, < 20kg, 2 Joints

NEW

- Quick and simple installation
- Meets VESA 75/100
- Wall mount fixing
- Material: steel
- Colour: black

TV size: 33 - 81.3 cm (13" - 32")  
 Load capacity: up to 20 kg  
 Max. arm length: 62 ~ 194mm(2.4"~7.6")  
 VESA Compatible: 75x75,100x100  
 Max. Mounting Hole: 100x100  
 Tilt Range: +5° ~ -15°  
 Swivel Range: +90° ~ -90°  
 Screen Rotation: +5° ~ -90°

Order-No. - P.U.

VALUE TV Monitor Arm, Wall Mount, &lt; 81cm, &lt; 20kg, 2 Joints

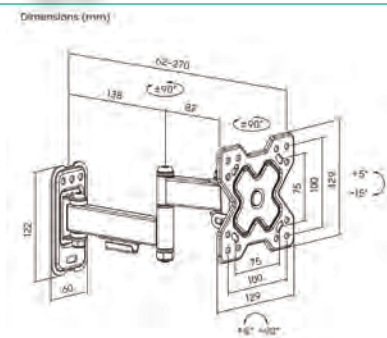
17.99.1230 - 8

### VALUE TV Monitor Arm, Wall Mount, < 81cm, < 20kg, 3 joints

NEW

- Quick and simple installation
- Meets VESA 75/100
- Wall mount fixing
- Material: steel
- Colour: black

TV size: 33 - 81.3 cm (13" - 32")  
 Load capacity: up to 20 kg  
 Max. arm length: 62 ~ 270mm(2.4"~10.6")  
 VESA Compatible: 75x75,100x100  
 Max. Mounting Hole: 100x100  
 Tilt Range: +5° ~ -15°  
 Swivel Range: +90° ~ -90°  
 Screen Rotation: +5° ~ -90°

Order-No. - P.U.

VALUE TV Monitor Arm, Wall Mount, &lt; 81cm, &lt; 20kg, 3 Joints

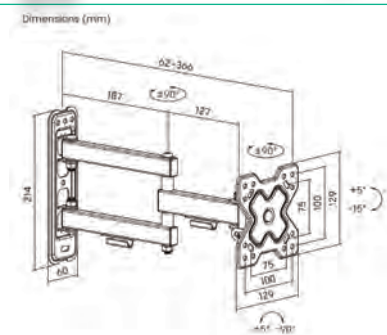
17.99.1231 - 4

### VALUE TV Monitor Arm, Wall Mount, < 81cm, < 20kg, 3 Joints

NEW

- Quick and simple installation
- Meets VESA 75/100
- Wall mount fixing
- Material: steel
- Colour: black

TV size: 33 - 81.3 cm (13" - 32")  
 Load capacity: up to 20 kg  
 Max. arm length: 62 ~ 366mm(2.4"~14.4")  
 VESA Compatible: 75x75,100x100  
 Max. Mounting Hole: 100x100  
 Tilt Range: +5° ~ -15°  
 Swivel Range: +90° ~ -90°  
 Screen Rotation: +5° ~ -90°

Order-No. - P.U.

VALUE TV Monitor Arm, Wall Mount, &lt; 81cm, &lt; 20kg, 3 Joints

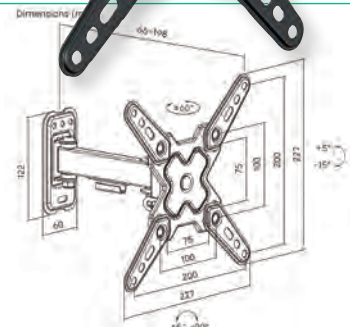
17.99.1232 - 4



## VALUE TV Monitor Arm, Wall Mount, &lt; 109cm, &lt; 20kg, 2 Joints

NEW

- Quick and simple installation
- Meets VESA 75x75, 100x100, 100x200, 200x100, 200x200
- Wall mount fixing
- Max. Mounting Hole: 200x200
- Material: steel
- TV size: 33 - 109 cm (13" - 43")
- Max. Load Capacity: 20 kg
- Profile: 66 ~ 198mm
- Tilt Range: +5° ~ -15°
- Swivel Range: +60° ~ -60°
- Screen Rotation: +5° ~ -90°
- Colour: black



Order-No. – P.U.

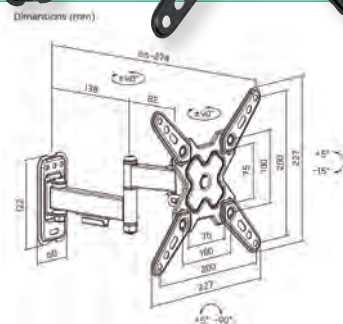
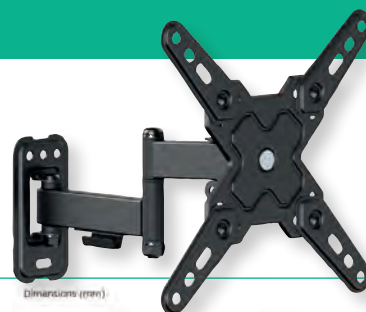
VALUE TV Monitor Arm, Wall Mount, &lt; 109 cm, &lt; 20kg, 2 Joints

17.99.1233 – 8

## VALUE TV Monitor Arm, Wall Mount, &lt; 109cm, &lt; 20kg, 3 Joints

NEW

- Quick and simple installation
- TV size: 33 - 109,2 cm (13" - 43")
- VESA Compatible: 75x75, 100x100, 100x200, 200x100, 200x200
- Max. Mounting Hole: 200x200
- Wall mount fixing
- Max. Load Capacity: 20kg
- Profile: 66 ~ 274mm
- Tilt Range: +5° ~ -15°
- Swivel Range: +90° ~ -90°
- Screen Rotation: +5° ~ -90°
- Material: steel
- Colour: black



Order-No. – P.U.

VALUE TV Monitor Arm, Wall Mount, &lt; 109 cm, &lt; 20kg, 3 Joints

17.99.1234 – 4

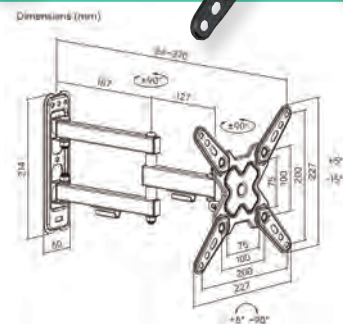
## VALUE TV Monitor Arm, Wall Mount, &lt; 109cm, &lt; 20kg, 3 Joints

NEW

- Quick and simple installation
- TV size: 33 - 109,2 cm (13" - 43")
- VESA Compatible: 75x75, 100x100, 100x200, 200x100, 200x200
- Wall mount fixing
- Mounting Hole Pattern: VESA Only
- Max. Mounting Hole: 200x200
- Max. Load Capacity: 20kg
- Profile: 66 ~ 370mm
- Tilt Range: +5° ~ -15°
- Swivel Range: +90° ~ -90°
- Screen Rotation: +5° ~ -90°
- Material: steel
- Colour: black



Smooth Movement with Ample Range of Motion



Order-No. – P.U.

VALUE TV Monitor Arm, Wall Mount, &lt; 109 cm, &lt; 20kg, 3 Joints

17.99.1235 – 4

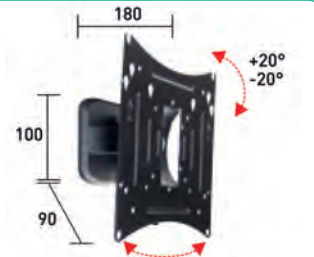


**roline**<sup>®</sup>  
Designed for Professionals

### ROLINE LCD Monitor Arm, Wall Mount, 2 Joints

- Quick and simple installation
- Meets VESA 50/75/100/150/200x100/200
- Wall mount fixing
- Material: steel
- Colour: black

TV size: 25- 100cm (10" - 40")  
Load capacity: up to 20 kg  
No. of pivots: 2  
Max. arm length: 9 cm  
Tiltable up and down: 20°



Order-No. – P.U.

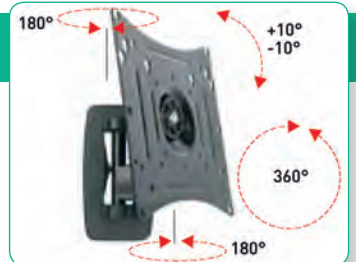
ROLINE LCD Monitor Arm, Wall Mount, 2 Joints

17.03.0005 – 1

### ROLINE LCD Monitor Arm, Wall Mount, 3 Joints

- Quick and simple installation
- Meets VESA 75/100/200x100
- Wall mount fixing
- Material: steel
- Colour: black

TV size: 25- 81 cm (10" - 32")  
Load capacity: up to 20 kg  
No. of pivots: 5  
Max. arm length: 12,2 cm  
Tiltable up and down: 20°



Order-No. – P.U.

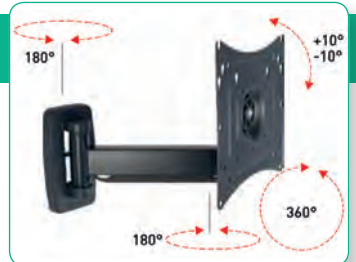
ROLINE LCD Monitor Arm, Wall Mount, 3 Joints

17.03.0006 – 1

### ROLINE LCD Monitor Arm, Extra, Wall Mount, 3 Joints

- Quick and simple installation
- Meets VESA 75/100/200x100/180x120/200
- Wall mount fixing
- Material: steel
- Colour: black

TV size: 25- 100 cm (10" - 40")  
Load capacity: up to 25 kg  
No. of pivots: 5  
Max. arm length: 28 cm  
Tiltable up and down: 10°



Order-No. – P.U.

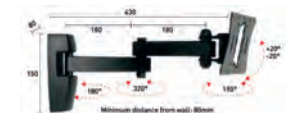
ROLINE LCD Monitor Arm, Extra, Wall Mount, 3 Joints

17.03.0007 – 1

### ROLINE LCD Monitor Arm, Wall Mount, 4 Joints

- Quick and simple installation
- Meets VESA 75/100/200x100
- Wall mount fixing
- Material: steel
- Colour: black

TV size: 25- 81 cm (10" - 32")  
Load capacity: up to 20 kg  
No. of pivots: 4  
Max. arm length: 43 cm  
Tiltable up and down: 20°



Order-No. – P.U.

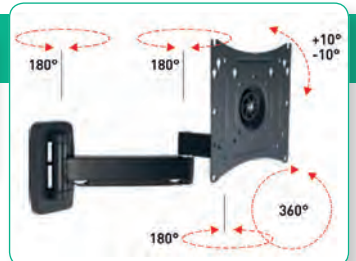
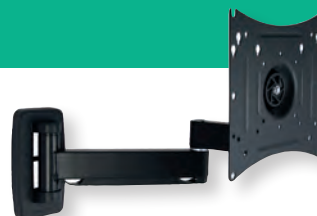
ROLINE LCD Monitor Arm, Wall Mount, 4 Joints

17.03.0008 – 1

### ROLINE LCD Monitor Arm, Extra, Wall Mount, 5 Joints

- Quick and simple installation
- Meets VESA 75/100/200x100/180x120/200
- Wall mount fixing
- Material: steel
- Colour: black

TV size: 25- 100 cm (10" - 40")  
Load capacity: up to 25 kg  
No. of pivots: 6  
Max. arm length: 36 cm  
Tiltable up and down: 10°



Order-No. – P.U.

ROLINE LCD Monitor Arm, Extra, Wall Mount, 5 Joints

17.03.0009 – 1

**ROLINE LCD Monitor Stand Pneumatic, Wall Mount, Pivot**

- Delicate and streamlined design
- Made of high quality aluminum alloy
- Gas spring integrated allows users to move the LCD panel in most positions at will
- Meets VESA 75 (75x75 mm) or VESA 100 (100x100 mm)
- Special feature: Pivot function- screen is 90 degrees rotatable
- Wall Mount
- A clever cable management is built into the rear arm

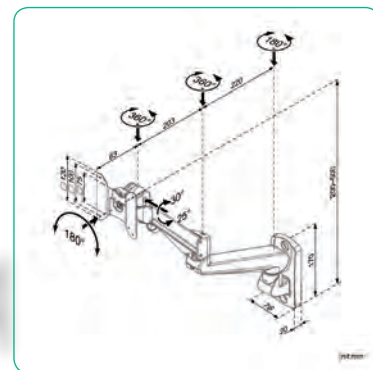
Technical data: 17.03.1178  
 Fixing: wall mount  
 Load capacity: 3 - 8 kg  
 No. of pivots: 4  
 Pivot function: yes  
 Arm length: up to 486 mm  
 Particularities: gas spring, cable management

Specifications:

- Arm extension: ~ 486 mm
- Lift: 200 ~ 500 mm
- Monitor pivot: 180°
- Rotation: 360° (arm & display)
- Loading capacity: 3 ~ 8 kg



Order-No. – P.U.

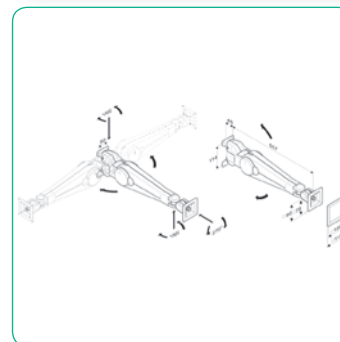
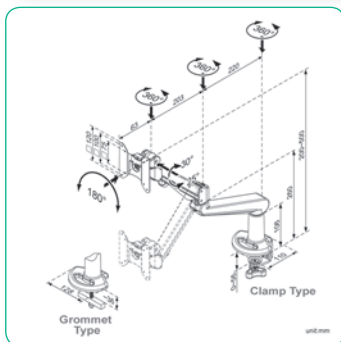
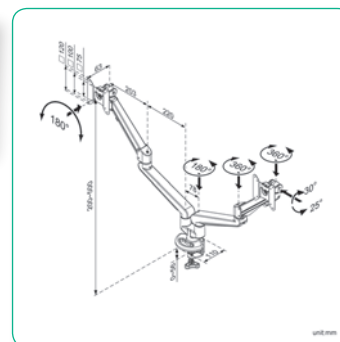
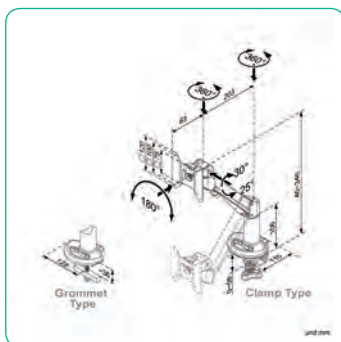


ROLINE LCD Monitor Stand Pneumatic, Wall Mount, Pivot, 2 Joints 17.03.1178 – 1

**ROLINE LCD Monitor Stand Pneumatic, Desk Clamp, Pivot**

- These pneumatic LCD monitor arms allow you to adjust the monitor to the most comfortable viewing angle
- Arms provide up and down, left and right, front and back pivot and tilting capability
- Desk clamp mount (max. 56mm) and grommet mount (max. 36mm)
- Monitor weight adjustment
- Monitor arms with wall mount fixing
- Meet VESA 75 (75 x 75 mm) or VESA 100 (100 x 100 mm)

|                  |                              |                              |                              |   |
|------------------|------------------------------|------------------------------|------------------------------|---|
| Technical data:  | 17.03.1149                   | 17.03.1147                   | 17.03.1148                   | 17.03.1122                                      |
| Fixing:          | desk clamp                   | desk clamp                   | desk clamp                   | wall mount                                      |
| Load capacity:   | 3 - 8 kg                     | 3 - 8 kg                     | 3 - 8 kg                     | 3 - 8 kg  |
| No. of pivots:   | 4                            | 4                            | 4                            | 4   |
| Pivot function:  | yes                          | yes                          | yes                          | yes   |
| Arm length:      | up to 266 mm                 | up to 486 mm                 | up to 486 mm                 | up to 440 mm                                    |
| Particularities: | gas spring, cable management | gas spring, cable management | gas spring, cable management | gas spring, cable management, weight adjustment |
|                  | -                            | -                            | Dual LCD                     |   |



Order-No. – P.U.

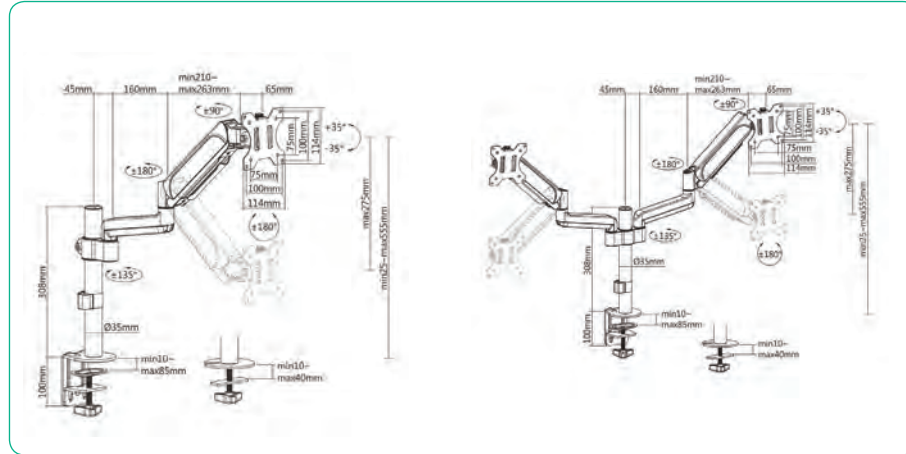
|  |   |            |     |
|--|---|------------|-----|
| ROLINE LCD Monitor Stand Pneumatic, Desk Clamp, Pivot, 1 Joint       | A | 17.03.1149 | – 1 |
| ROLINE LCD Monitor Stand Pneumatic, Desk Clamp, Pivot, 2 Joints      | B | 17.03.1147 | – 1 |
| ROLINE Dual LCD Monitor Stand Pneumatic, Desk Clamp, Pivot, 2 Joints | C | 17.03.1148 | – 1 |
| ROLINE LCD Monitor Arm Pneumatic, Pivot, Wall Mount                  | D | 17.03.1122 | – 2 |





**VALUE Single/Dual LCD Monitor Arm, Pole Mount, 4 Joints, Desk Clamp**

- Single /Dual Monitor Pole-Mounted Spring-Assisted Arm, four joints
- Pole Mount
- With a C-clamp for desk mount up to 8 cm thickness
- The height of the LCD monitor is adjustable
- Meets VESA 75 (75 x 75 mm) or VESA 100 (100 x 100 mm)



**Specifications:**

- Load capacity: up to 9 kg
- Tilt Range: +35° – -35°
- Swivel Range: +90° – -90°
- Screen Rotation: +180° – -180°
- Arm Full Extension: 468 mm
- Pole Height: 308 mm
- Suggested Desktop Thickness: Clamp: 10 – 85mm Grommet: 10 – 40mm
- Installation: Clamp, Grommet



Order-No. – P.U.

VALUE Single LCD Monitor Arm, Pole Mount, 4 Joints, Desk Clamp 17.99.1181 – 1

VALUE Dual LCD Monitor Arm, Pole Mount, 4 Joints, Desk Clamp 17.99.1182 – 1

**VALUE Dual LCD Monitor Arm, Desk Clamp, height adjustable separately**

The Dual LCD Arm makes your workstation more efficient and you gain more workspace.

- Designed for two monitors
- The two aluminium arms are easy to adjust for swinging into any position
- Each display can be tilted to any angle you need
- The height of the LCD monitors is for both monitors separately adjustable
- Load capacity: up to 5 kg each monitor
- Meets VESA 75 (75 x 75 mm) or VESA 100 (100 x 100 mm)
- Arm length: up to 2x 350 mm
- With a C-clamp for desk mount



Order-No. – P.U.

VALUE Dual LCD Monitor Arm, Desk Clamp, 4 Joints, height adjustable separately 17.99.1134 – 2

**ROLINE Single LCD Monitor Arms, Desk Clamp**

- This flexible monitor arm allows the user to adjust a monitor with perfect angle of view
- Fixing by desk clamp (up to 100 mm)
- The sturdy main frame can still move smoothly under heavy load
- High quality aluminum alloy
- Meets VESA 75 (75 x 75 mm) or VESA 100 (100 x 100 mm)
- Load capacity: 12 kg
- Length of pillar: 400 mm
- Arm length: 190 mm



|                   |                           |                           |                           |
|-------------------|---------------------------|---------------------------|---------------------------|
| Technical Data:   | 17.03.1132/1230           | 17.03.1133                | 17.03.1134                |
| Fixing:           | desk clamp (up to 100 mm) | desk clamp (up to 100 mm) | desk clamp (up to 100 mm) |
| Load capacity:    | 8 kg                      | 10 kg                     | 12 kg                     |
| Length of pillar: | 400 mm                    | 400 mm                    | 400 mm                    |
| Arm length:       | 620 mm                    | 440 mm                    | 190 mm                    |

Order-No. – P.U.

ROLINE Single LCD Monitor Arm, 2 Joints, Desk Clamp A 17.03.1134 – 4

ROLINE Single LCD Monitor Arm, 3 Joints, Desk Clamp B 17.03.1133 – 2

ROLINE Single LCD Monitor Arm, 5 Joints, Desk Clamp C 17.03.1132 – 2

ROLINE Dual LCD Monitor Arm, Desk Clamp, 4 Joints D 17.03.1230 – 1

**VALUE Single LCD Monitor Arms, Desk Clamp**

- Aluminum two-step arm with four joints
- With a C-clamp for desk mount up to 8 cm thickness
- The height of the LCD monitor is adjustable
- Meets VESA 75 (75 x 75 mm) or VESA 100 (100 x 100 mm)
- Load capacity: up to 10 kg



| Technical data: | 17.99.1132 | 17.99.1136 |
|-----------------|------------|------------|
| Load capacity:  | 10 kg      | 3x 8 kg    |
| No. of pivots:  | 5          | 5          |
| Fixing:         | Desk clamp | Desk clamp |
| Arm length:     | 450 mm     | 1290 mm    |



Order-No. – P.U.

|  |                  |
|--|------------------|
| VALUE Single LCD Monitor Arm, 4 Joints, Desk Clamp | A 17.99.1132 – 4 |
| VALUE Triple LCD Arm, Desk Clamp, black            | B 17.99.1136 – 1 |

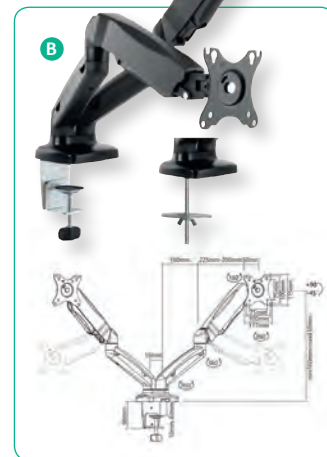
**VALUE Single/ Dual LCD Monitor Stand Pneumatic, Desk Clamp, Pivot**

**LCD monitor arm with gas spring for easy and reliable adjustment of a monitor weighing up to 6.5kg and VESA 75 / 100!**

- Made of high quality aluminum alloy
- Meets VESA 75 (75x75 mm) or VESA 100 (100x100 mm)
- Special feature: Pivot function- screen is 90 degrees rotatable
- Small desktop mount saves space
- A clever cable management is built into the rear arm

**Specifications:**

- Arm extension: ~ 500 mm
- Lift: 160 ~ 410 mm
- Monitor pivot: 180°
- Rotation: 360° (arm & display)
- Loading capacity: max. 6.5 kg



Order-No. – P.U.

|   |                  |
|---|------------------|
| VALUE LCD Monitor Stand Pneumatic, Desk Clamp, Pivot, 2 Joints      | A 17.99.1155 – 4 |
| VALUE Dual LCD Monitor Stand Pneumatic, Desk Clamp, Pivot, 2 Joints | B 17.99.1163 – 3 |

**VALUE Dual LCD Monitor Arm, Desk Clamp, 6 Joints, Space Saving**

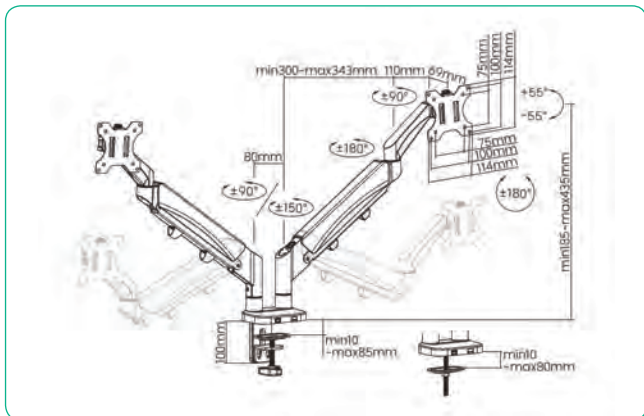
**Space-Saving Spring-Assisted Monitor Arm can perfectly mount and align two monitors in tight spaces, allowing maximum depth of field and optimal visual ergonomics.**

**Shorter forearms allow different sized screens to align seamlessly.**

- **180° Rotation Stop:** prevents monitor arm from swinging into screens or walls
- **Seamlessly without increased space requirements**
- Designed for two monitors
- The two aluminium arms are easy to adjust for swinging into any position
- Each display can be tilted to any angle you need
- The height of the LCD monitors is for both monitors separately adjustable
- Spring assistant system easily adjusts the height of monitor
- Load capacity: up to 9 kg each monitor
- Meets VESA 75 (75 x 75 mm) or VESA 100 (100 x 100 mm)
- Arm length: up to 2x 522 mm
- With a C-clamp for desk mount

**Specifications:**

Fit Screen Size: 17" - 32" (43.18cm- 81.28cm)  
 Tilt Range: +55° – -55°  
 Swivel Range: +90° – -90°  
 Screen Rotation: +180° – -180°  
 Arm Full Extension: 453mm(17.8")



Order-No. – P.U.

|  |                |
|--|----------------|
| VALUE Dual LCD Monitor Arm, Desk Clamp, 6 Joints, Space Saving | 17.99.1183 – 2 |
|--|----------------|

## VALUE LCD Monitor Stand Pneumatic, Desk Clamp, 5 Joints, Pivot

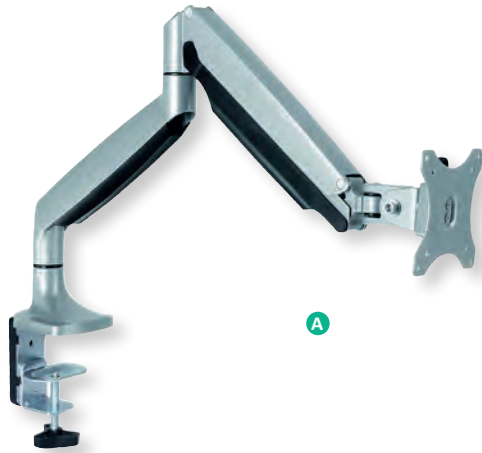
Gas spring integrated allows users to move the LCD panel in most positions at will

- Made of high quality aluminum alloy
- Meets VESA 75 (75x75 mm) or VESA 100 (100x100 mm)
- Special feature: Pivot function- screen is 90 degrees rotatable
- Small desktop mount saves space
- A clever cable management is built into the rear arm

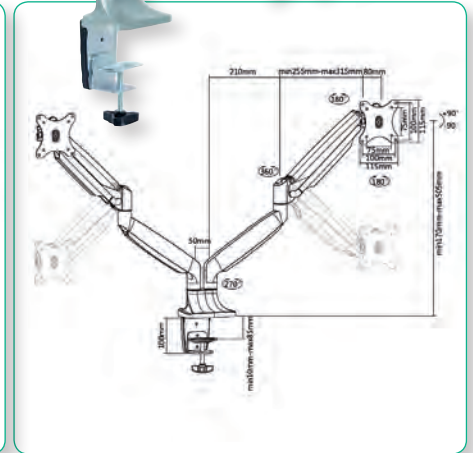
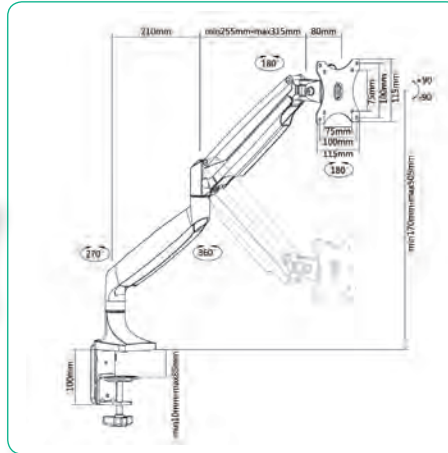
### Specifications:

- Arm extension: ~ 605 mm
- Lift: 170 ~ 500 mm
- Monitor pivot: 180°
- Rotation: 360° (arm & display)
- Loading capacity: max. 9 kg

**Value**<sup>®</sup>



A



B

Order-No. – P.U.

VALUE LCD Monitor Stand Pneumatic, Desk Clamp, 5 Joints, Pivot

A 17.99.1145 – 4

VALUE Dual LCD Monitor Arm, Desk Clamp, 6 Joints, height adjustable separately, gas spring

B 17.99.1147 – 2

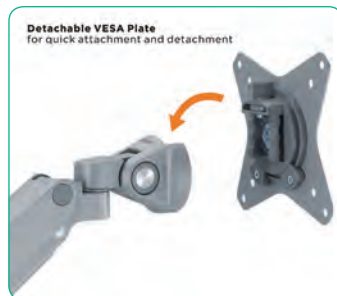
## ROLINE Dual LCD Monitor Stand Pneumatic, Desk Clamp, Pivot, Top-Side Mount

- Delicate and streamlined design
- Made of high quality aluminum alloy
- Gas spring integrated allows users to move the LCD panel in most positions at will
- Meets VESA 75 (75x75 mm) or VESA 100 (100x100 mm)
- Special feature: Pivot function- screen is 90 degrees rotatable
- Small desktop mount saves space
- Top Side Mount- quick and easy installation from the topside of the desk, eliminating the need to kneel under tables
- A clever cable management is built into the rear arm

### Specifications:

- Arm extension: ~ 525 mm
- Lift: 215 ~ 495 mm
- Monitor pivot: 180°
- Rotation: 360° (arm & display)
- Loading capacity: 3 ~ 9 kg /Single Arm

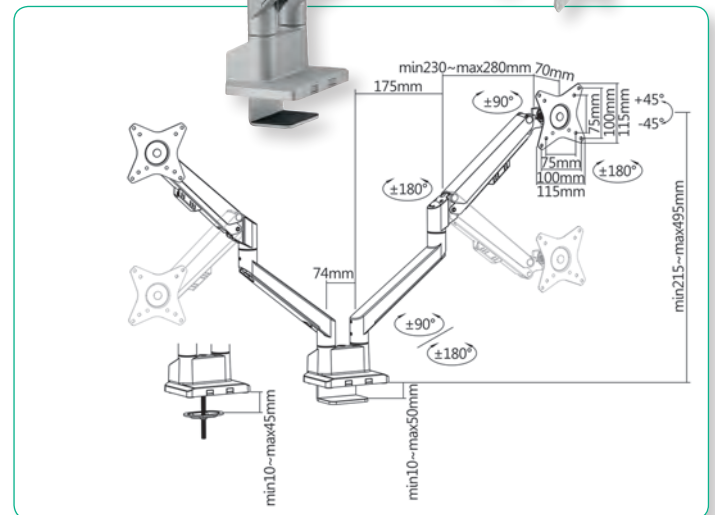
**roline**<sup>®</sup>  
Designed for Professionals



Detachable VESA Plate  
for quick attachment and detachment



Quick-Release Joint  
for easy user assembly



Order-No. – P.U.

ROLINE Dual LCD Monitor Stand Pneumatic, Desk Clamp, Pivot, 2 Joints

17.03.1158 – 2



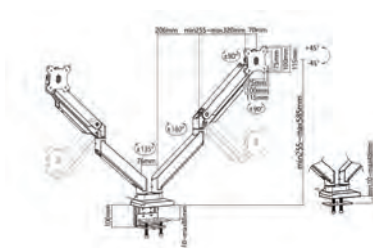
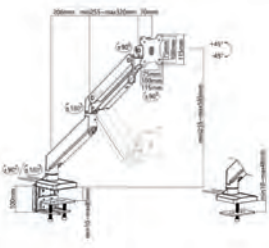
**ROLINE Single / Dual Monitor Stand Pneumatic, Desk Clamp, Pivot, max. 15 kg (Heavy Duty)**

LCD monitor arm, for easy and reliable adjustment of a monitor weighing up to 15kg (weight adjustment between 1kg and 15kg) and VESA 75/100!

- Delicate and streamlined design
- Made of high quality aluminum alloy
- Gas spring integrated allows users to move the LCD panel in most positions at will
- Meets VESA 75 (75x75 mm) or VESA 100 (100x100 mm)
- Special feature: Pivot function- screen is 90 degrees rotatable
- Small desktop mount saves space
- A clever cable management is built into the rear arm

**Specifications:**

- Arm extension: ~ 596 mm
- Lift: 255 ~ 585 mm
- Monitor pivot: 180°
- Rotation: 180° (arm & display)
- Loading capacity: <= 15 kg



**Order-No. – P.U.**

|   |                |
|---|----------------|
| ROLINE LCD Monitor Stand Pneumatic, Desk Clamp, Pivot, <= 15 kg, 5 Joints     | 17.03.1116 – 4 |
| ROLINE Dual LCD Monitor Stand Pneumatic, Desk Clamp, Pivot, <=15 kg, 5 Joints | 17.03.1117 – 2 |



**ROLINE Monitor Stand, Gas Spring, Desk Clamp, Pivot, max. 20 kg (Heavy Duty)**

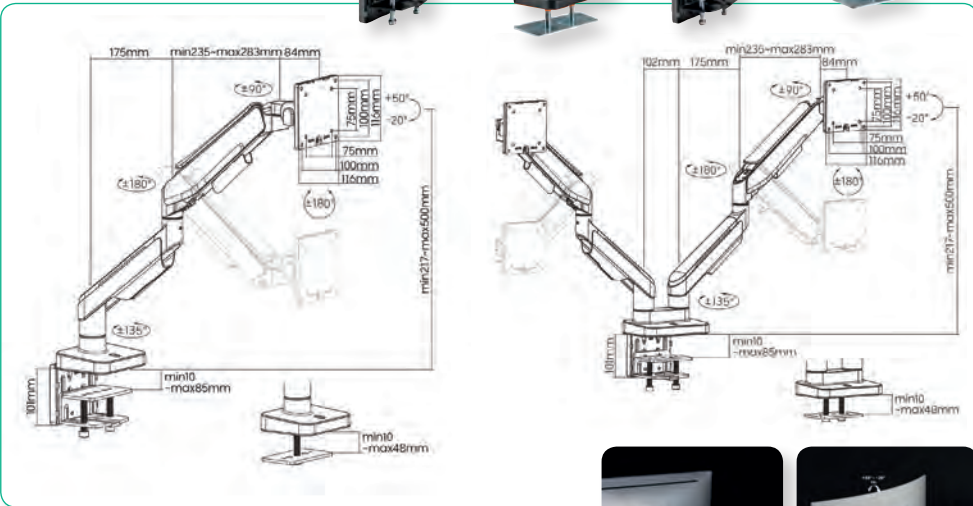
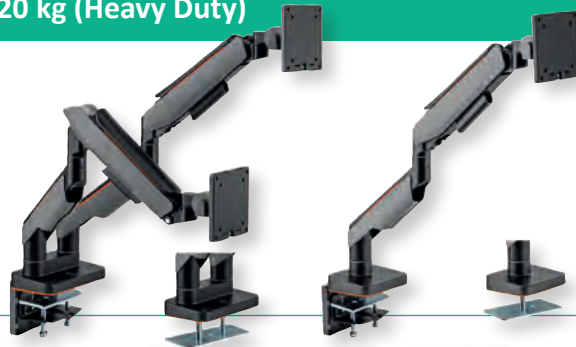
LCD monitor arm, for easy and reliable adjustment of a monitor weighing up to 20kg (weight adjustment between 2kg and 20 kg) and VESA 75/100!

- Supports monitors up to 124.46cm (49") - 17.03.1108
- Supports monitors up to 88.9cm (35") - 17.03.1109

- Streamlined design
- Made of high quality aluminum alloy
- Gas spring integrated allows users to move the LCD panel in most positions at will
- Meets VESA 75 (75x75 mm) or VESA 100 (100x100 mm)
- Special feature: Pivot function- screen is 90 degrees rotatable
- Small desktop mount saves space
- A clever cable management is built into the rear arm
- Color: Black & Dark Grey

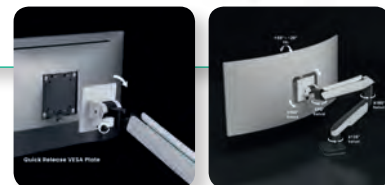
**Specifications:**

- Material: Aluminum, Steel, Plastic
- Weight/Load Capacity: 2 – 20kg
- VESA Compatible: 75x75, 100x100
- Tilt Range: +50° – -20°
- Swivel Range: +90° – -90°
- Screen Rotation: +180° – -180°
- Arm Full Extension: 542mm
- Installation: Clamp, Grommet
- Suggested Desktop Thickness:
  - Clamp 10 – 85mm
  - Grommet 10 – 48mm
- **Quick Release VESA Plate: Yes**
- Cable Management: Yes



**Order-No. – P.U.**

|  |                |
|--|----------------|
| ROLINE Monitor Stand, Gas Spring, Desk Clamp, max. 20 kg, 5 Joints             | 17.03.1108 – 3 |
| ROLINE Dual Monitor Stand, Gas Spring, Desk Clamp, Pivot, max. 20 kg, 5 Joints | 17.03.1109 – 2 |

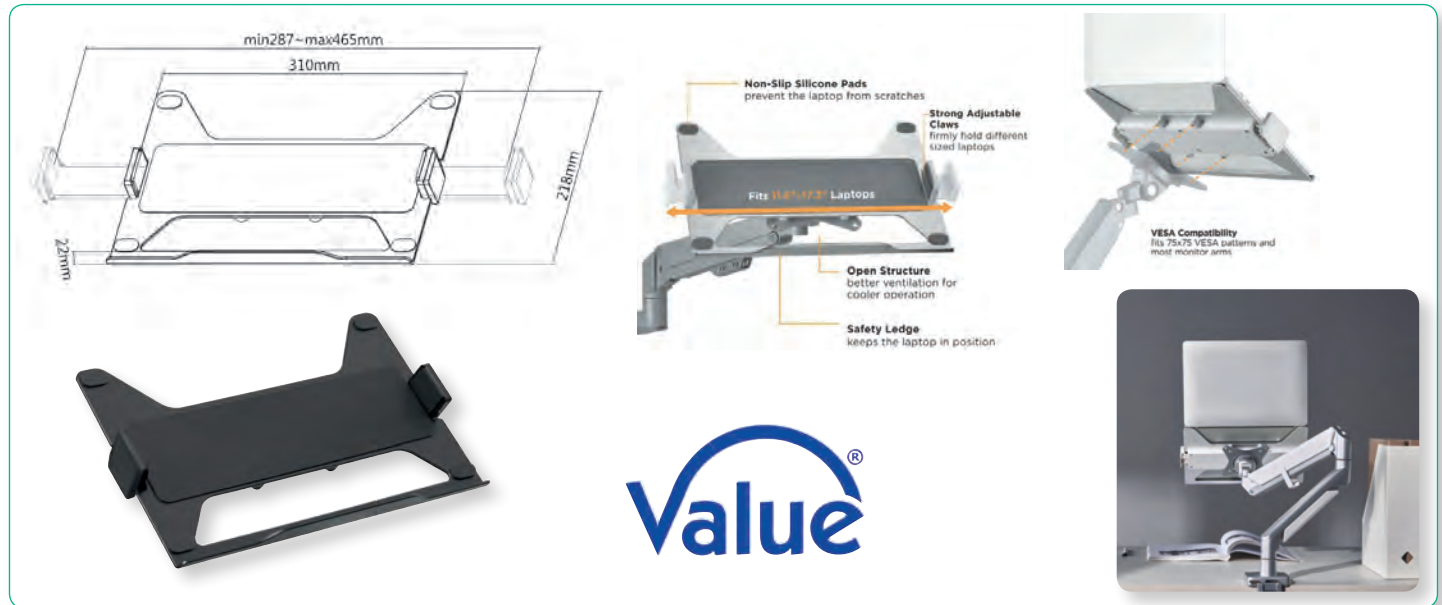


## VALUE Universal Notebook/Tablet Holder, flexible, VESA compatible

**Notebook / Tablet Holder for e.g. notebooks /tablets/iPads and e-book reader - usable in any case due to the mounting function via VESA 75!**

- Fits all laptops with a weight up to 8kg (11.6"-17.3")
- The laptop holder is compatible with 75x75 VESA patterns
- Can be securely mounted on most monitor arms for flexible height and angle adjustment

- Lightweight Aluminum construction: provides a sleek, lighter, and elegant look
- Two adjustable claws with silicone pads firmly hold the laptop while protecting it from scratches
- The open design improves airflow and prevents overheating
- Is a perfect add-on accessory for work and entertainment environment
- Dimensions: 310 (adj. max. width 287- 465mm) x 218 x 39 mm



Order-No. – P.U.

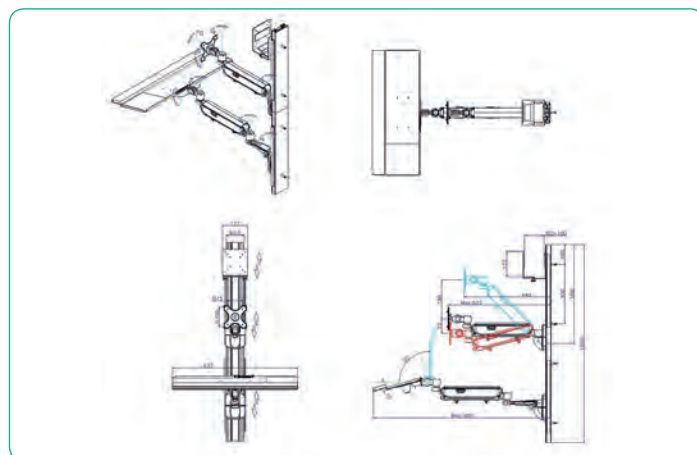
VALUE Universal Notebook/Tablet Holder, flexible, VESA compatible, silver 17.99.1097 – 8

## VALUE Wallmount Workstation, Pneumatic

MEDICAL ENVIRONMENT

- This is a complete solution that accommodates a LCD, keyboard and CPU, creating a sit-stand workstation
- It is perfect for space-constrained areas by simply fold the keyboard and LCD tight against the wall when not in use
- This wall mounted computer workstations include a sturdy 90.5mm (width) x 500mm (length) x 20mm (depth) (x 2pcs.) aluminum posts that mounts to wall
- Articulating arms built-in VESA 75/100 compliant mount bracket can be tilted, panned and rotated.
- The CPU/power supply holder adjusts to hold items up to 100mm (width) securely and includes non-skid cushions to prevent marring
- CPU holder weight capacity: up to 10kg
- Keyboard holder weight capacity: 3-5kg

- Monitor holder weight capacity: 3-5kg



Value



Order-No. – P.U.

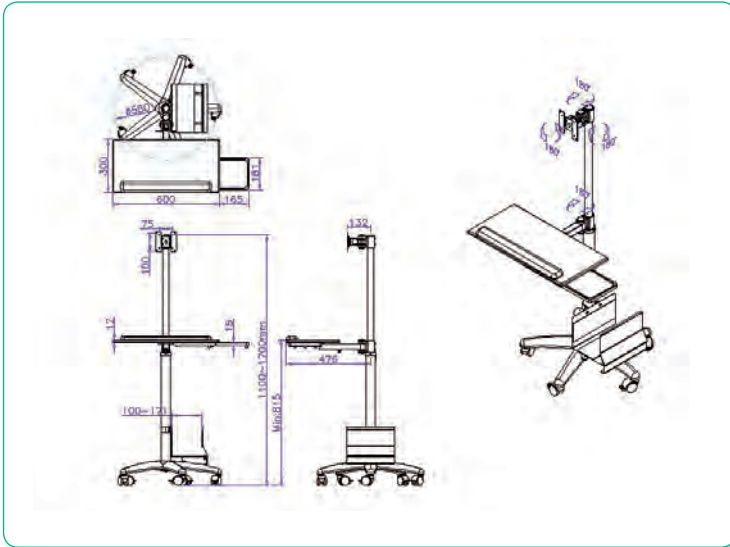
VALUE Wallmount Workstation, Pneumatic

17.99.1139 – 1

## VALUE Mobile PC Cart, silver

MEDICAL ENVIRONMENT

- Mobile computing platform that can be used in factories, hospitals, etc.
- This model is fitted with wheels and allows easy movement of a full PC setup
- Carries one pc tower, keyboard and mouse platform and a LCD monitor
- Monitor and keyboard/mouse can be easily positioned to the exact working height
- For monitors with VESA 75 (75 x 75 mm) resp. VESA 100 (100 x 100 mm)
- LCD monitor adapter bracket provides swivel, tilt and rotation function
- Adjustable LCD monitor height from 110 cm to 170 cm
- 5 wheels, whereof 3 are lockable



Order-No. – P.U.

VALUE Mobile PC Cart, silver

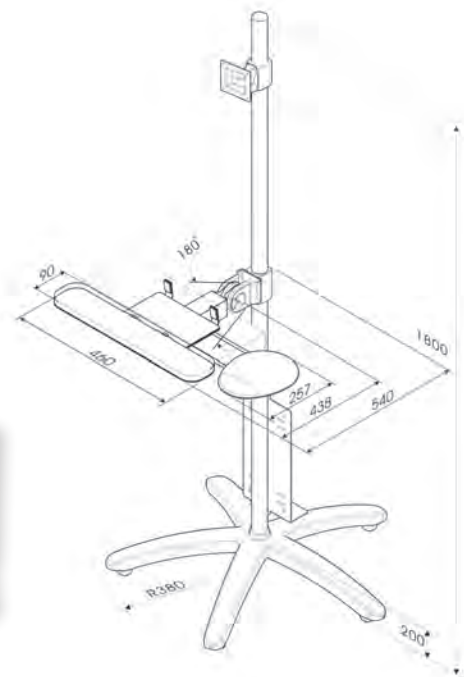
17.99.1174 – 1

## ROLINE LCD TV + PC Mobile Computing Platform

MEDICAL ENVIRONMENT

- A mobile computing platform that can be used in factories, hospitals, shopping malls, retail stores and department stores, etc.
- Adaptable for sitting or standing users and adjusts to different user heights
- For monitors with VESA 75 (75 x 75 mm) resp. VESA 100 (100 x 100 mm)
- Pivots upwards to 10 degrees and downwards to 25 degrees
- Mouse support tray can be attached to the right or left hand side
- Safety belt adjusts for different sizes of CPU holders and UPS
- Material: aluminum alloy which has a neat and artistic appearance
- 5 wheels, whereof 3 are lockable
- Height: 180 cm

**roline**<sup>®</sup>  
Designed for Professionals



Order-No. – P.U.

ROLINE LCD TV + PC Mobile Computing Platform, 180 cm

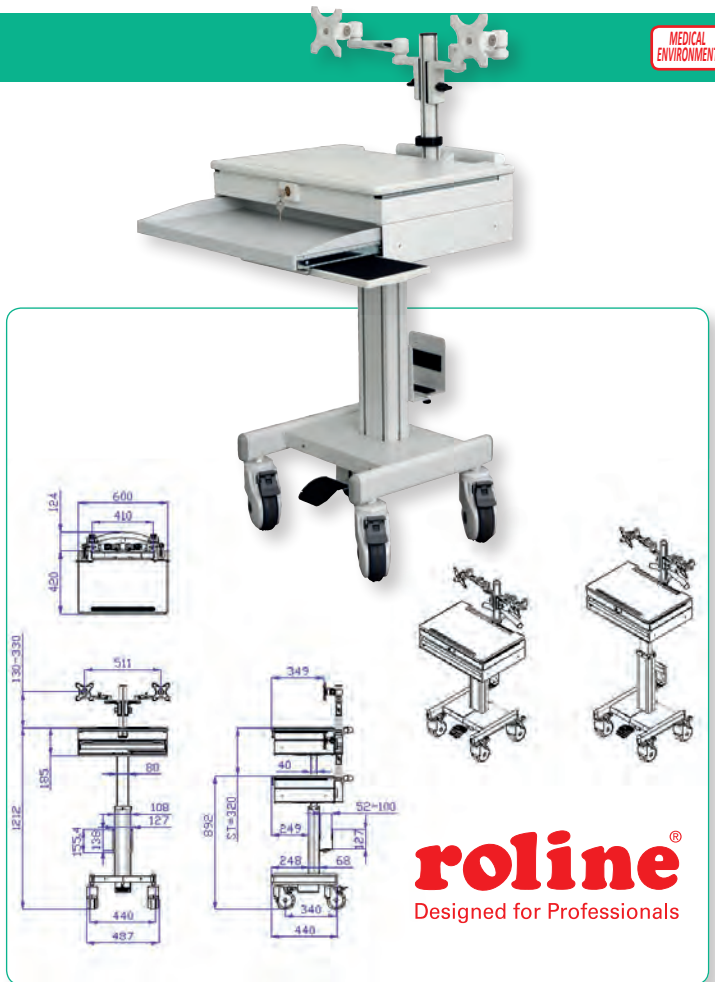
17.03.1174 – 1



### ROLINE LCD TV+PC Mobile Computing Workstation



- A mobile computing platform that can be used in factories, hospitals, shopping malls, retail stores and department stores, etc.
- Adaptable for sitting or standing users and adjusts to different user heights
- For monitors with VESA 75 (75 x 75 mm) resp. VESA 100 (100 x 100 mm)
- Locks your laptop in a drawer for anti-theft and offers a clean desktop for working
- Accommodates widescreen laptops with 17" screen
- Height adjustable working area is comfortable for sitting or standing users
- Pull-out keyboard storage and mouse stage can be on the left or on the right side
- Cable management
- This model is fitted with wheels for easy movement and with lock while working
- Help to improve workflow efficiency and upgrade patient care
- Install dual LCD arm to have the monitor in a better viewing position
- Height of monitor can be adjusted
- Monitor can be swiveled, rotated and tilted
- Max loading including monitor: 5-8 kg
- Mouse support tray can be attached to the right or left hand side
- Additional CPU holder



**roline®**  
Designed for Professionals

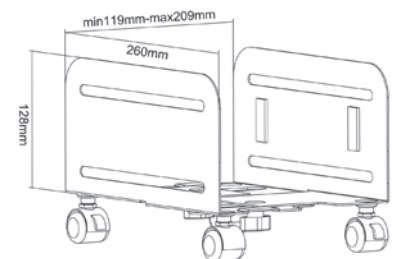
Order-No. – P.U.

ROLINE LCD TV + PC Mobile Computing Workstation

17.03.1175 – 1

### VALUE Mobile PC Stand

- Creates more space on your desk, due to it being under the table
- Stable metal construction with high tilt-stability
- Adjustable from 119- 209 mm PC width
- More flexible in use
- 2 locking heavy-duty casters



Order-No. – P.U.

VALUE Mobile PC Stand, black

17.99.1500 – 6

### Mobile PC Stand

- Creates more space on your desk, due to it being under the table
- Stable metal construction with high tilt-stability
- Adjustable from 140-250 mm PC width
- Fitted with rubber mats against slipping and scratching
- More flexible in use



Order-No. – P.U.

Mobile PC Stand

17.05.1516 – 5

### VALUE Under Desk /Wall Mount Mini/Midi PC Holder

- Space-saving PC holder, creates more space on your work table
- Stable steel construction
- Fastening under the table top (min. 15mm), screws not included in delivery
- Table (under desk) and wall mounting
- Load capacity: 10 kg
- Height adjustable: 300- 533 mm
- Width adjustable: 88- 203 mm



Order-No. – P.U.

VALUE Under Desk /Wall Mount Mini/Midi PC Holder

17.99.1501 – 6



### VALUE Heavy Duty PC Holder, Extendable, Rotable

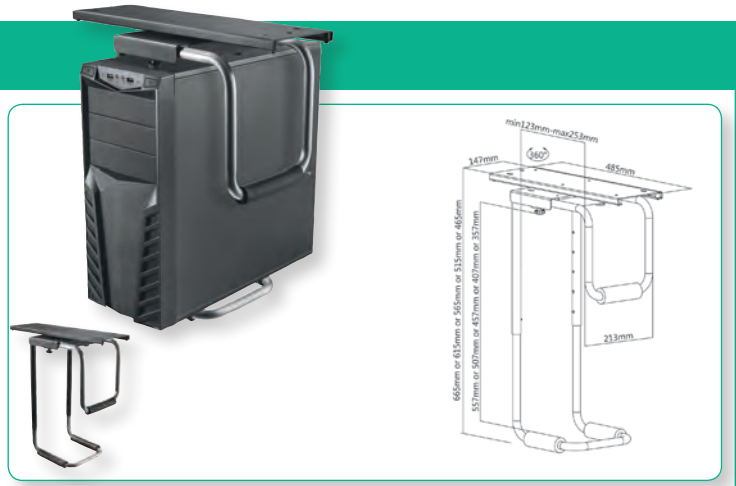
- Under desk PC Holder telescopic and swiveling
- Stable steel construction
- To be fixed under your desk
- Heavy-Duty CPU Holder (up to 30 kg)
- Locking rotary knob ensures a secure position at any width setting
- Spring pin for easy height adjustment (357 / 457 / 507 / 557 mm)
- 360° swivel allows for easy access of PC backside ports and cables
- Sliding mechanism for greater accessibility



Order-No. – P.U.

VALUE Heavy Duty PC Holder, Extendable, Rotable

17.99.1502 – 4



### VALUE Mini PC Holder

- Space-saving Mini PC holder which offers more room at your desk
- For Mini PCs
- Stable steel construction
- To be fixed under your table board (screws not included)
- Height and width of holder is adjustable



Order-No. – P.U.

VALUE Mini PC Holder, black

17.99.1140 – 8



### ROLINE Mini PC Holder, Lockable

- Space-saving Mini PC holder which offers more room at your desk
- For Mini PCs
- Stable steel construction
- To be fixed under your table board (screws not included)
- Height and width of holder is adjustable
- Lockable with key



Order-No. – P.U.

ROLINE Mini PC Holder, lockable, silver

17.03.1145 – 8

ROLINE Mini PC Holder, lockable, black

17.03.1156 – 8



## ROLINE PC Holders



- Under desk PC holder
- Stable steel construction, telescopic (not 17.03.1127/28)
- To be fixed under your table board (min. 15 mm), screws not included
- Height and width adjustable
- Rotation up to 90° (17.03.1129/30) resp. up to 180° (17.03.1131/85)

| Technical data: | 17.03.1127/28 | 17.03.1129/30 | 17.03.1185 | 17.03.1131 |
|-----------------|---------------|---------------|------------|------------|
| Max. weight:    | 30 kg         | 30 kg         | 10 kg      | 10 kg      |
| Height adj.:    | 390-540 mm    | 390-540 mm    | 390-540 mm | 390-540 mm |
| Width adj.:     | 134-234 mm    | 134-234 mm    | 70-134 mm  | 50-100 mm  |
| Pull out:       | no            | 150 mm        | yes        | yes        |
| Rotation:       | no            | 90°           | 180°       | 180°       |



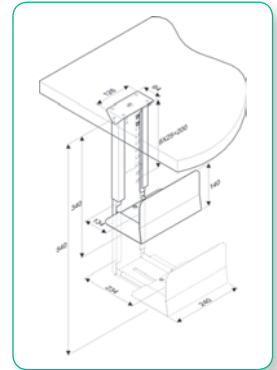
B



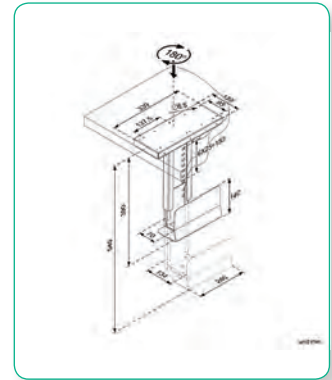
D



A



C



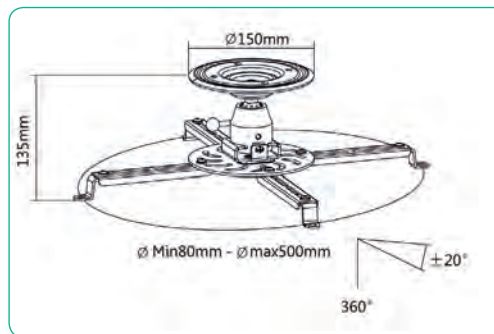
**roline**  
Designed for Professionals

### Order-No. – P.U.

|  |   |            |     |
|--|---|------------|-----|
| ROLINE PC Holder, black  | A | 17.03.1127 | – 2 |
| ROLINE PC Holder, silver   | A | 17.03.1128 | – 2 |
| ROLINE PC Holder with rotation function, black                   | B | 17.03.1129 | – 2 |
| ROLINE PC Holder with rotation function, silver                  | B | 17.03.1130 | – 2 |
| ROLINE PC Holder, extendable, with rotation function             | C | 17.03.1185 | – 2 |
| ROLINE Mini PC Holder, extendable, with rotation function, black | D | 17.03.1131 | – 4 |

## VALUE Ceiling Projector Mount, small

- Ceiling mount for LCD projector
- Universal spider mount style fits most projectors
- With tilt and swivel function
- Weight capacity: 25 kg
- Max. projector size in diameter: 500 mm
- Distance to ceiling: 135 mm
- Colour: white
- Content: Ceiling mount, mounting material



### Order-No. – P.U.

|                                      |            |     |
|--------------------------------------|------------|-----|
| VALUE Ceiling Projector Mount, small | 17.99.1100 | – 5 |
|--------------------------------------|------------|-----|



## VALUE Ceiling Projector Mount, big

- Ceiling mount for LCD projector
- Universal spider mount style fits most projectors
- With tilt and swivel function
- Weight capacity: 11.5 kg
- Max. projector size in diameter: 390 mm
- Adjustable ceiling tube can be extended from 37.5 cm to 47.5 cm off the ceiling

- Cables can go through the tube
- Colour: Grey
- Remark: Product similar to picture. Colour: Grey!
- Content: Ceiling mount, mounting material



|                               |                          |
|-------------------------------|--------------------------|
| Technical data:               | 17.99.1102               |
| Fixing:                       | ceiling mount            |
| Load capacity:                | up to 11.5 kg            |
| Distance to ceiling:          | 375 – 475 mm, adjustable |
| Weight:                       | 2.5 kg                   |
| Max. projector size diameter: | 390 mm                   |
| Colour:                       | grey                     |

### Order-No. – P.U.

|                                    |            |     |
|------------------------------------|------------|-----|
| VALUE Ceiling Projector Mount, big | 17.99.1102 | – 6 |
|------------------------------------|------------|-----|





## ROLINE Underdesk Mount for KVM/NUC/Mini PC / Thin Clients

### Save space by mounting your thin client under your desk!

- Heavy-duty steel construction
- Suitable for a lot of types of thin clients and small cpus
- Under-Desk Installation: it saves valuable desk space and also keeps cpu free from dust
- Maximum weight should not exceed 10 kg
- Can be fixed under your desktop using the supplied fixings screws
- Allows full access to power button, output jacks, and cables.
- Content: 4x mounting screws, installation instructions

**roline**<sup>®</sup>  
Designed for Professionals

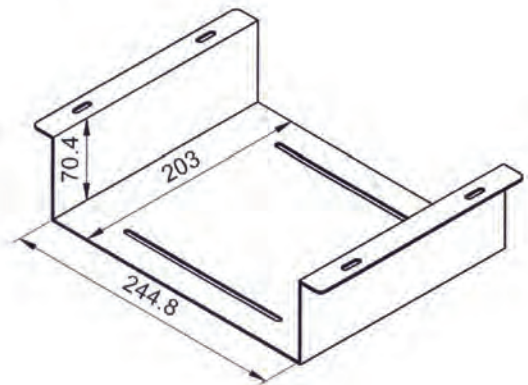


Order-No. – P.U.

ROLINE Underdesk Mount for KVM/NUC/Mini PC / Thin Clients

17.03.0113 – 5

PC Mount size : W244.8 x L203 x H70.4 mm  
Maximum load : 10 kg



## ROLINE Underdesk Mount Storage Drawer

### Suitable for organized storage of tablets, mobile phones, mouse, headphone

- Heavy-duty steel construction
- Suitable for a lot of types of thin clients and small cpus
- Under-Desk Installation: it saves valuable desk space and also keeps cpu free from dust
- Smooth Sliding Mechanism: opens and shuts quietly
- Ultra-slim design
- Maximum weight should not exceed 8 kg
- Can be fixed under your desktop using the supplied fixings screws
- Dimensions: 410 x 272- 470 x 50.8mm (17.03.0114) / 460 x 272- 470 x 113 mm (17.03.0115)
- Content: 4x mounting screws, installation instructions

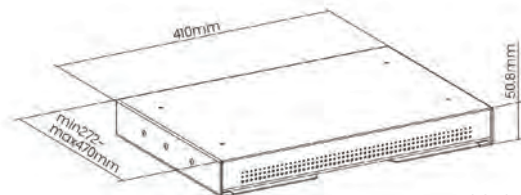
#### Specifications:

- Material: Steel
- Surface Finish: Powder Coating
- Color: Black
- Dimensions: 410/460 x 272 – 470 x 50.8 / 113mm (18.1" x 10.7" – 18.5" x 4.4")
- Weight Capacity: 8 kg
- Track Travel: 200mm (7.9")
- Suggested Desktop Thickness: >= 18mm (≥0.71")
- Storage for: Tablet, Mobile Phone, Mouse, Headphone

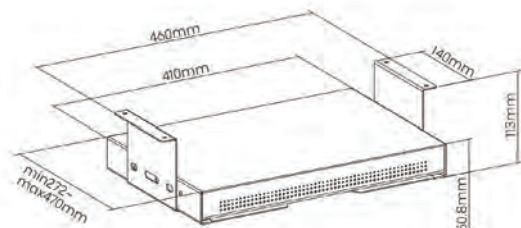
17.03.0114



17.03.0115



17.03.0114



17.03.0115

Order-No. – P.U.

ROLINE Underdesk Mount Storage Drawer

17.03.0114 – 5

ROLINE Underdesk Mount Storage Drawer with Shelf

17.03.0115 – 5

**roline**<sup>®</sup>  
Designed for Professionals

## VALUE Cable Cover Organizer (Under Desk Mount)



### For clean cable routing under the desk

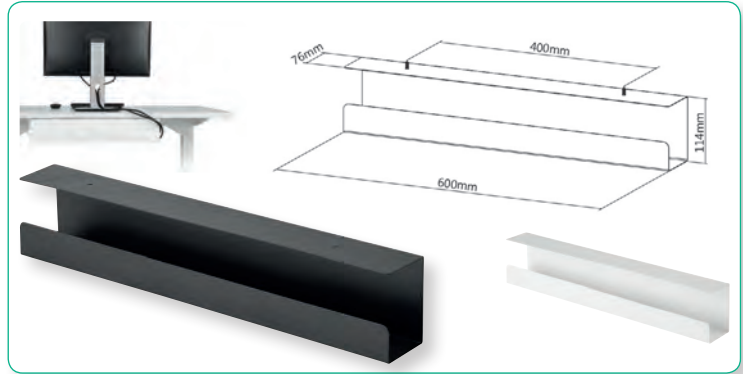
- Desktop cable tray organizer
- Simple design: hides wire and power cords for a clean workspace
- Manage all cables: enough room for power stripes, network, and computer cabling
- Easy installation
- Dimensions: 600 x 114 x 76 mm
- Contents:

1x cable manager à 600 x 114 x 76 mm

Order-No. – P.U.

VALUE Cable Cover Organizer (Under Desk Mount), black 17.99.1315 – 6

VALUE Cable Cover Organizer (Under Desk Mount), white 17.99.1316 – 6

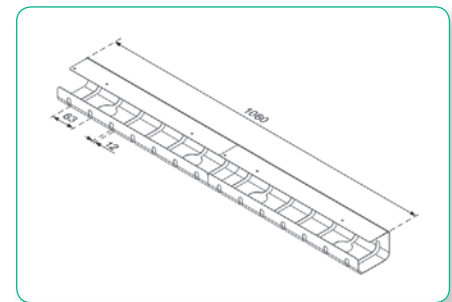


## ROLINE Cable Cover Organizer (Under Desk Mount)



- Contents: 2x cable manager à 530 x 110 x 80 mm

**roline**<sup>®</sup>  
Designed for Professionals

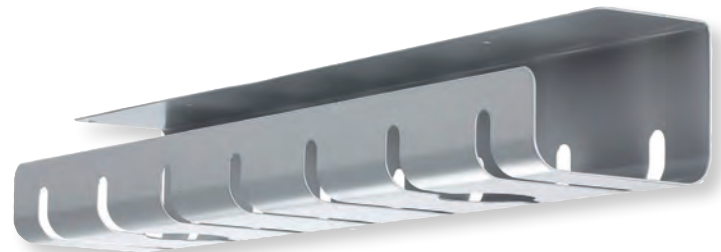


Order-No. – P.U.

ROLINE Cable Cover Organizer, Under Desk Mount (2 pieces), silver 17.03.1302 – 6

ROLINE Cable Cover Organizer, Under Desk Mount (2 pieces), black 17.03.1303 – 6

ROLINE Cable Cover Organizer, Under Desk Mount (2 pieces), white 17.03.1304 – 6



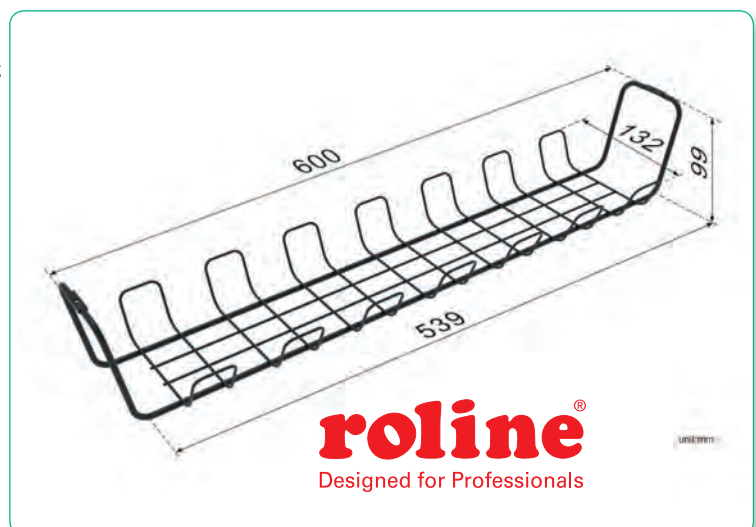
## ROLINE Grid Cable Organizer, Under Desk Mount (2 pieces)

- Desktop grid cable tray organizer
- Simple design: hides wire and power cords for a clean workspace
- Manage all cables: enough room for power stripes, network, and computer cabling
- Max. Load: 5 kg
- Dimensions: 2 pieces à 600 x 132 x 99 mm
- Easy installation
- Contents: 2x cable manager à 600 x 132 x 99 mm



Order-No. – P.U.

ROLINE Grid Cable Organizer, Under Desk Mount (2 pieces), black 17.03.1305 – 4



### ROLINE LCD/CRT Monitor Stand Trend

- Holds up to 51 cm (20") LCD or CRT monitor
- Create extra storage (ca. 500 x 60 mm) for your keyboard or documents and office stationery under the platform
- Enlarged utility space on the platform to accommodate your speakers or media storage box next to a monitor
- Additional tube support avoids monitor to lean backwards
- Special handle design on side panels for easy movement of the stand
- Max. loading: 20 kg
- Dimensions of stand (LxWxH): 580 x 335 x 70 mm
- Colour: Black/grey



**roline**<sup>®</sup>  
Designed for Professionals

Order-No. – P.U.

ROLINE LCD/CRT Monitor Stand Trend, black

17.02.3370 – 2

### ROLINE Dual Monitor/Printer Stand Trend

- Top wood platform supports A4 laser/inkjet printers
- Double drawers to storage provides multi storage of documents (A4, letters sized papers) and office stationery
- Special concave design provides more conveniences of picking up the thin pile of documents
- Special handle design on side panels for easy movement of the stand
- Platform size (LxW): 450 x 350 mm
- Colour: Black/grey



**roline**<sup>®</sup>  
Designed for Professionals

Order-No. – P.U.

ROLINE Dual Monitor/Printer Stand Trend, black

17.02.3375 – 2

### VALUE Universal Portable Laptop Stand/Tablet Holder with Cushion

- Multifunctional use: ideal for bed, sofa, outdoors or in the car to do your work, watch a movie...
- **Compatibility: with a surface area of 420 x 300 mm, it fits laptops/notebooks up to a size of 35.6cm (14 inches)**
- Safe and comfortable: the bottom cushion allows you to study, work or read in a relaxed way
- Comfortable and simple cushion on the bottom made of a comfortable and breathable fabric and foam bead base.
- The cushion is adaptable to any leg shape, allowing for stable laptop / tablet use
- **Tablet / smartphone slot: 298 x 19 mm**
- Non-slip surface
- Cloth handle, which is very suitable for carrying



Order-No. – P.U.

VALUE Universal Portable Laptop Stand/Tablet Holder with Cushion, grey

17.99.0097 – 4



**Value**<sup>®</sup>

### ROLINE LCD Monitor Stand Adjustable Tempered Glass Surface Risers (Square)

- Compact design with smooth edges all around
- Increased storage room beneath the desktop
- Create extra storage (ca. 500 x 210 mm) for your keyboard or documents and office stationery under the platform
- Stepless height settings for your free height adjustment (75- 85 mm)
- Max. loading: 20 kg
- Dimensions of stand (LxWxH): 580 x 210 x 75- 85 mm

Suggested Screen Size:  
up to 81cm (13"-32")

Max. Load: 20 kg  
Adjustable Height:  
75mm - 85mm  
Glass Thickness: 5mm  
Material:  
Glass, Stainless Steel  
Dimensions:  
580 x 210 x 85mm



Order-No. – P.U.

ROLINE LCD Monitor Stand Adj. Temp. Glass Surface Risers (Square) 17.02.3376 – 6

**roline**<sup>®</sup>  
Designed for Professionals





## VALUE Height-adjustable Monitor/Laptop Stand

Monitor/laptop stand made of wood, 2-step height adjustment and with cable suspension for a clean, tidy workplace

- Large platform footprint (600 / 900 x 250mm) for up to two monitors or laptop and devices such as speakers or pen holders
- Cable suspension on the rear for space-saving and tidy cable management
- Under the monitor platform there is plenty of space for documents or also for temporary storage of the keyboard
- Loadable up to 20kg
- Dimensions (WxHxD): 600 / 900 x 90/115 x 250mm
- Colour: black



Order-No. – P.U.

VALUE Height-adjustable Monitor/Laptop Stand, black 17.99.1340 – 6

VALUE Height-adjustable Monitor/Laptop Stand, black, extra-large 17.99.1341 – 6



## ROLINE Large Size Versatile Desktop Riser

This desktop riser is ready to end any crowded desktop by providing more storage space with three ways to install.

Load capacity of up to 20 kg.

- Large Size Versatile Desktop Riser
- Three Ways to Install: side clamp, top clamp and freestanding
- Space-Saving Design: free up and gain additional desktop work space
- Raise your monitor to the most comfortable viewing position
- Solid steel feet provide strong support
- Design with the simplest appearance but reliable functions

### Specifications:

Max. Load: 20 kg  
Material: Stainless Steel, Particle Board  
Applicable Devices: Monitor  
Fit Screen Size: 13" – 32"  
Surface Thickness: 12mm  
Dimensions: 550 x 250 x 236mm

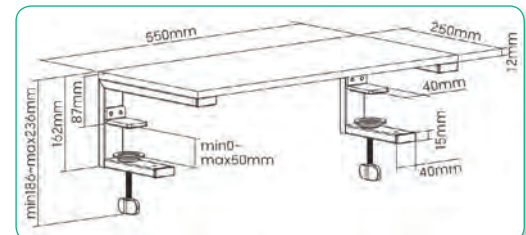
**roline**<sup>®</sup>  
Designed for Professionals



Order-No. – P.U.

ROLINE Large Size Versatile Desktop Riser

17.03.0116 – 6



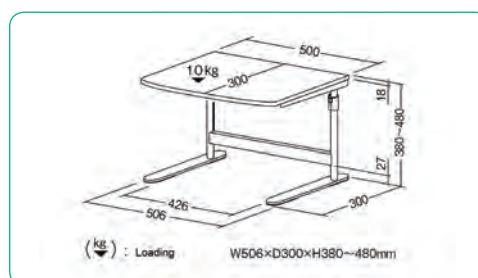
## ROLINE Mini Printer Table, Height Adjustable

Printer table or laptop shelf as an attachment for the desk - versatile and ergonomic to work with a laptop when standing or as a shelf for smaller printers, copiers and scanners. For more efficient working in the office!

- Perfectly suited in the office or home office as a desk attachment for smaller printers, copiers and scanners or similar devices
- Also perfect as a laptop shelf to work ergonomically while standing
- Easy to adjust in height by two levers
- Sturdy metal frame
- Printer level (WxD: 50x29cm)
- Load capacity: up to 10kg

- Color:
  - Frame: light grey
  - Plate: white
- Dimensions (HxWxD): min/max. 39/49x50x30cm
- Weight: 5kg

**roline**<sup>®</sup>  
Designed for Professionals



Order-No. – P.U.

ROLINE Mini Printer Table, height adjustable, grey

17.01.1086 – 1



VALUE Clamp Mount Pegboard

The pegboard set provides functional, versatile, and stylish home organization products with oval peg holes and waterproof surfaces. From office supplies, and decorations, to crafts and books, this modern-style mounting shelf set is the perfect piece for storage and display. Moreover, sturdy steel construction & powder coating surface provide a solid and long-lasting performance.

- Clamp Mount Pegboard
- Panels can join horizontal or vertical: can adapt to different table sizes
- Easy Installation: No tools required
- Clamp Mounting Design: firmly attaches to the table, providing great stability
- Magnetic: Yes
- Pegboard Accessories: 1x Pen Holder, 1x Storage Shelf, 1x Cup holder, 1x Pin Magnet, 2x Hook



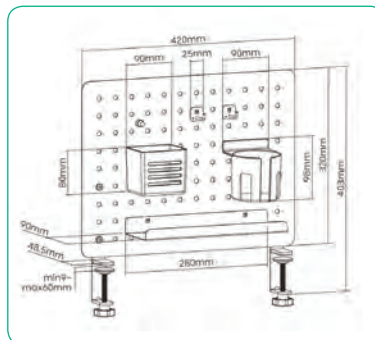
Order-No. – P.U.

VALUE Clamp Mount Pegboard

17.99.0098 – 4

Specifications:

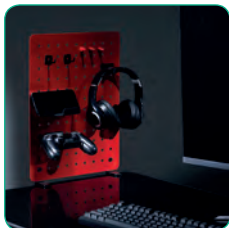
Material: Steel, Plastic  
 Surface Finish: Powder Coating  
 Dimensions: 420 x 99 x 477mm  
 (16.5"x3.9"x18.8")  
 Weight Capacity: 5kg / Piece  
 Applicable Device: Universal  
 Color: Matte Light Grey  
 Magnetic: Yes



VALUE Gaming-/Office Clamp Mount Pegboard

The pegboard set provides functional, versatile, and stylish home organization products with oval peg holes and waterproof surfaces. From gaming / office supplies, and decorations, to crafts and books, this modern-style mounting shelf set is the perfect piece for storage and display. Moreover, sturdy steel construction & powder coating surface provide a solid and long-lasting performance.

- Clamp Mount Pegboard
- Panels can join horizontal or vertical: can adapt to different table sizes
- Easy Installation: No tools required
- Clamp Mounting Design: firmly attaches to the table, providing great stability
- Magnetic: Yes

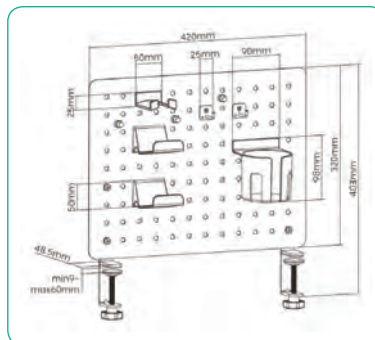


Order-No. – P.U.

VALUE Gaming-/Office Clamp Mount Pegboard, red

17.99.0099 – 4

- Pegboard Accessories: 3x Pin Magnet, 1x Cup Holder, 2x Hook, 2x Gaming Controller Hook, 1x Headphone Hook



ROLINE Aluminum Professional Studio Microphone Arm

- Aluminum Professional Studio Microphone Arm
- With smooth and effortless microphone adjustments and positioning
- The aluminum structure is lightweight, sturdy and durable enough to support even the heaviest mics
- Clamp-on and grommet mounts are included for versatile mounting options
- Padded to prevent surface scratches while preventing sound vibration from impacting recordings and live streams
- Includes an universal adaptor for use with almost any microphone

Specifications:

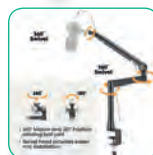
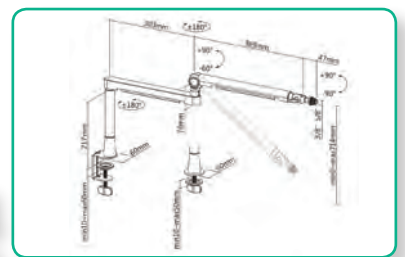
Material: aluminum, steel, plastic  
 Max. Load: < 2 kg  
 Applicable Devices: Microphone  
 Surface Thickness: 10-50mm (grommet), 10-60mm (clamp mount)



Order-No. – P.U.

ROLINE Aluminum Professional Studio Microphone Arm, < 2kg

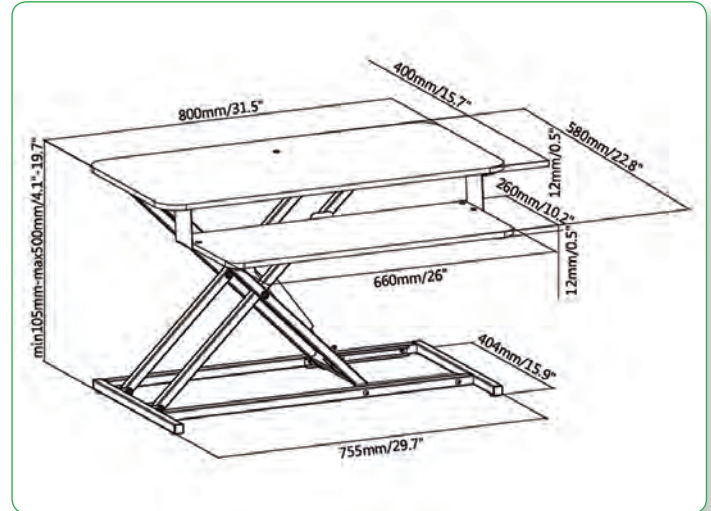
17.03.0117 – 5



## VALUE Adjustable Desktop Workstation, Sit - Stand Up

Turn your office table into an ergonomic, comfortable workspace within seconds. Enables you to switch between sitting and standing (orthopedic and occupational medicine recommended), thus increasing your own health and well-being.

- Steplessly height-adjustable (minimum 105 mm - max 500 mm), thus you can customize your workplace according to your own needs
- Double-sided gas spring lifting mechanism- for easy and effortless height adjustment of the workstation
- With a durable working surface of 800 x 400 mm, this workstation provides enough space for up to two monitors (when a monitor arm is used)
- Ergonomic keyboard / mouse shelf (660 x 260 mm) / max. charge 2 kg
- Maximum depth of 580 mm
- Plate thickness 12 mm
- Maximum load: up to 15 kg
- Rounded corners and edges
- Robust construction
- Color: Black
- Delivery is carton-packed, requires self-assembly only for the keyboard/mouse tray



Order-No. – P.U.

VALUE Adjustable Desktop Workstation, Sit - Stand Up, black

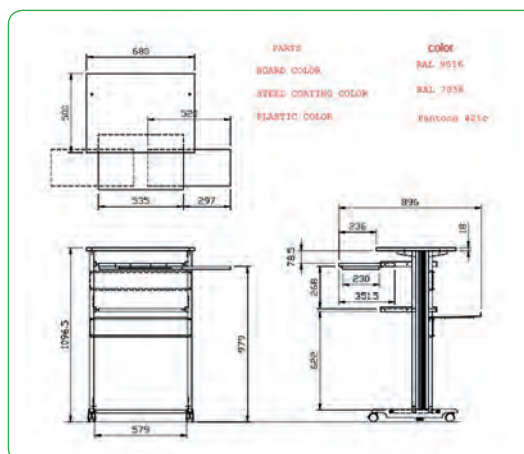
17.99.1178 – 1

Value®

## ROLINE PC Standing Workstation

- Stable metal/plastic frame
- Load bearing capacity: up to 40 kg
- Top shelf (WxD: 68 x 50 cm) for monitor etc.
- Slide-out keyboard shelf (WxD: 53.5 x 35 cm) with mouse surface (28 x 23 cm)
- Slide-out shelf (WxD: 53.5 x 35 cm) which can be used for printers
- Floor level shelf (WxD: 57.9 x 31.5 cm)
- Up to 40kg load bearing capacity
- Mobile via 4 wheels, 2 of which can be locked
- Colour:
- frame: light grey
- surface: white
- surface border: grey
- Dimensions (HxWxD): 110 x 68 x 54 cm

**roline**<sup>®</sup>  
Designed for Professionals



Order-No. – P.U.

ROLINE PC Standing Workstation

17.02.1545 – 1



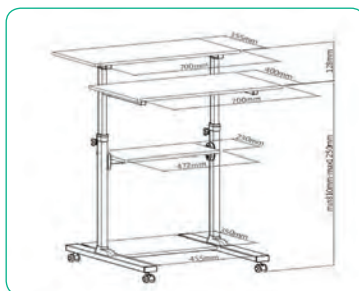


**ROLINE PC Standing Workstation**

**Work healthier! A change from sit to stand is good for your spine. With our height adjustable ROLINE PC-Stand-Workplace you can do your work standing.**

- Stable metal/plastic frame
- Load bearing capacity: up to 60 kg
- Top shelf (W x D: 70 x 35.5 cm) for monitor etc.
- Keyboard and mouse shelf (W x D: 70 x 40 cm)
- Printer shelf (W x D: 47.2 x 23 cm)
- Floor level shelf (W x D: 45.5 x 35 cm)
- Mobile via 4 wheels, 2 of which can be locked
- Colour:  
frame: light grey / surface: black / surface border: black
- Dimensions (H x W x D): min. 81 / max. 125 (+12,8 cm) x 70 x 70,5 cm
- Table top thickness 15mm (Melamine)

**The furniture is height adjustable just as you need it and helps to create an ergonomic, healthy workplace by allowing users to sit or stand throughout the day.**



**roline**<sup>®</sup>  
Designed for Professionals

Order-No. – P.U.

ROLINE PC Standing Workstation, black / gray

17.02.1547 – 1

**ROLINE Printer Tables**

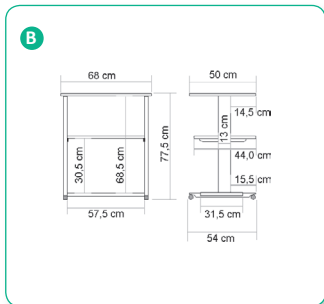
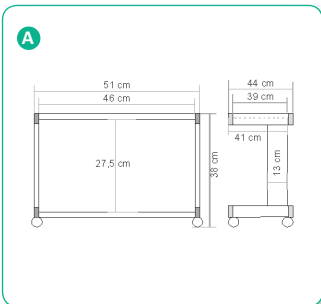
**17.01.1085**

- Stable metal frame
- Printer shelf and floor level shelf (WxD: 46x39 cm)
- Mobile through 4 wheels, 2 of them are lockable
- Load bearing capacity: up to 30kg
- Colour:  
frame: light grey  
surface: white  
surface border: white
- Dimensions (HxWxD): 38x51x44 cm

**17.01.1087**

- Stable metal / man-made material frame
- Printer shelf (WxD: 68x50 cm)
- Middle shelf (WxD: 58.5x44 cm)
- Floor level shelf (WxD: 57.5x31.5 cm)
- Mobile through 4 castors, 2 of which are lockable
- Level screws hinders the printer table from tilting on it's side
- Load bearing capacity: up to 30 kg
- Colour:  
frame: light grey  
surface: white  
surface border: grey
- Dimensions: 77.5x68x54 cm

**roline**<sup>®</sup>  
Designed for Professionals



Order-No. – P.U.

ROLINE Mini Printer Table

A 17.01.1085 – 1

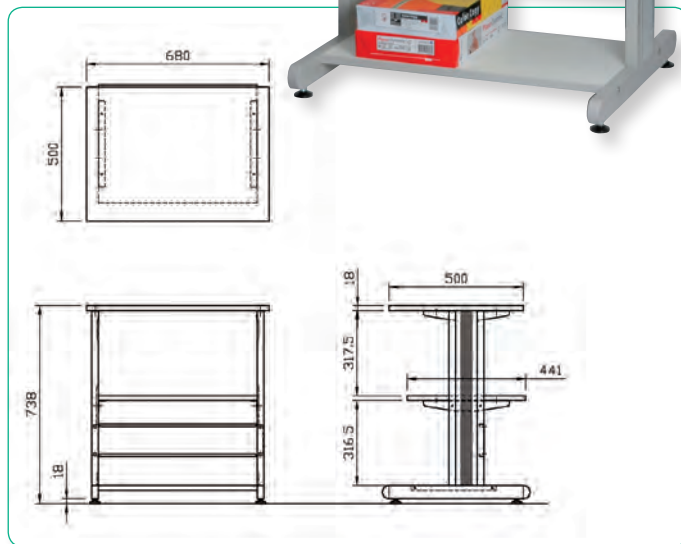
ROLINE Printer Table

B 17.01.1087 – 1

**ROLINE Printer Table, up to 80 kg**

- Stable metal / plastic frame
- Load bearing capacity: up to 80 kg
- Printer shelf (WxD: 68x50 cm)
- Middle shelf (WxD: 59x44 cm)
- Floor level shelf (WxD: 59x31.5 cm)
- Level screws prevent the printer table from tilting on its side
- Colour:  
frame: light grey  
surface: white  
surface border: grey
- Dimensions (WxHxD): 74x68x55 cm

**roline**<sup>®</sup>  
Designed for Professionals



Order-No. – P.U.

ROLINE Printer Table, up to 80 kg

17.01.1089 – 1

## ROLINE PC Standing Workstation, Height adjustable, tiltable

**Work healthier! A change from sit to stand is good for your spine. With our height adjustable ROLINE PC-Stand-Workplace you can do your work standing.**

- This workstation is easy to operate and a great addition for use in offices, schools, homes, conference rooms and more
- Pneumatic Height Adjustment: easy operation to adjust the height for dynamic work
- Foot Pedal: effortlessly adjusts your workstation to desired height
- Stable metal/plastic frame
- Offers a tiltable desktop in 4 tilt angles (0° / 10° / 20° / 30°) to create a comfortable working or presentation style, and its paddle lever ensures an effortless tilt adjustment.
- The combination of the single leg and four casters enables the workstation to be portable and mobile to go anywhere you want
- Max. load : up to 8 kg
- Mobile workstation with height adjustable from min. 82 / max. 119 cm
- Mobile via 4 wheels, 2 of which can be locked
- Colour: white
- Dimensions (W x D x H): min. 82 / max. 119 cm x 60 x 53,1 cm
- Table top thickness 16mm (Melamine)

The furniture is height adjustable just as you need it and helps to create an ergonomic, healthy workplace by allowing users to sit or stand throughout the day.

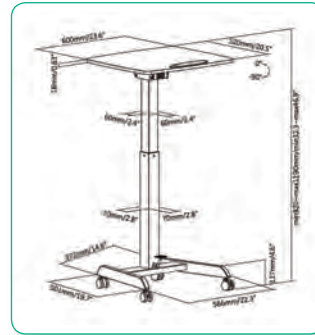


**roline**<sup>®</sup>  
Designed for Professionals

Order-No.

ROLINE PC Standing Workstation, height adjustable, tiltable, white

17.02.1548 – 1



Adjustable Tilt provides the optimal angle



Adjust Height by Pressing Foot Pedal



90° Tilt saves space for easy storage when not in use



Edge Stopper for worry-free reading and writing



Lockable Casters (2 of 4) ensure mobility and stability

## ROLINE Gas Spring Side Table / Workstation, Height adjustable

**Work healthier! A change from sit to stand is good for your spine. With our height adjustable ROLINE Gas Spring Side Table / Workstation you can do your work standing.**

- Offers maximum comfort and adaptability to multiple requirements / applications
- Frees users from a fixed working area
- Smooth and quiet height adjustment
- A gas spring with a self-locking mechanism provides smooth and effortless height adjustment
- A sturdy column along with heavy-duty frame enhances the stability while writing or typing
- Built-in cup slot prevents the cup from falling or slipping while moving

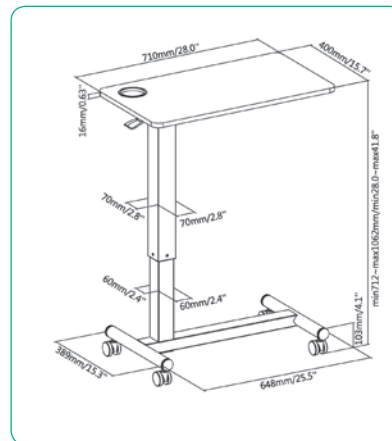
- Squeeze Lever: makes the adjustment easy, creates smooth and quick transitions
- Heavy-Duty Casters with Locking Mechanism
- Stable metal/plastic frame
- Eco-Friendly Particle Board: features heavy-duty and moisture resistance
- High-Strength Steel Frame: better durability to weight and wear
- Drink Holder: for cups or cans
- Top shelf (W x D: 71 x 40 cm)
- Mobile via 4 wheels, 2 of which can be locked
- Max. Load: 7 kg
- Colour: white
- Dimensions (H x W x D): min. 71 / max. 106 x 71 x 40 cm
- Table top thickness 16mm (Melamine)

**roline**<sup>®</sup>  
Designed for Professionals

Order-No. – P.U.

ROLINE Gas Spring Side Table / Workstation, height adjustable, white

17.02.1549 – 1



VALUE Open Shelf Mobile Cabinet



Open Shelf Mobile Cabinet is a versatile storage solution with distinctive features.

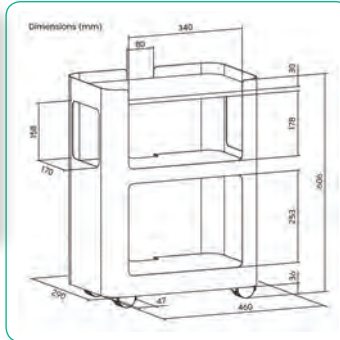
- Table top thickness 16mm (Melamine)

The rounded corners ensure greater aesthetics and safety. The cable management system ensures a tidy appearance. Thanks to the generous storage space, your belongings remain organized and accessible. The hidden 360° swivel castors not only provide an elegant touch, but also effortless mobility.

- Equipment Shelf: provides more storage space for accessories
- Curved-Edges and Corners
- Cable Management
- Hidden Casters in the Base
- Mobile via 4 wheels
- Max. Load: 10 kg (top) / 20 kg (middle) / 20 kg (bottom)
- Colour: white
- Dimensions (H x W x D): 61 x 46 x 29 cm



Hidden 360° Swivel Castors provide both aesthetic appeal and ease of movement



Order-No. – P.U.

VALUE Open Shelf Mobile Cabinet, white

17.99.1187 – 1

ROLINE Cleaning Products

19.04.4100

- 100 cleaning tissues for all plastic and metal surfaces
- Ideal for cleaning printers, monitors, PC cases etc (not for TFT Displays and PDAs)
- Antistatic tissues, complete bio-degradable
- Hygienic and fresh smell
- Contents: 100 Cleaning-Tissues

19.04.4110

- For blowing dust and debris from inaccessible areas of electronic equipment (computer keyboards, printers, CD-ROM drives, copiers, fax machines, etc.)
- Variable spray intensity
- Ecologically friendly
- 400 ml aerosol can with spray tube included
- Contents: Aerosol-Can

19.04.4130

- 400ml Cleaning foam
- Ideal for cleaning plastic and coloured surfaces such as tables
- Antistatic, non-abrasive
- Contents: Spray bottle

19.04.4135 / 19.04.4160

Eco-friendly special cleaner for TFT and Laptop monitors, LCDs, PDAs, monitor filters, surfpads and all coated and uncoated glass surfaces (e.g. mirrors, overhead projectors and lenses).

- 250ml pump-spray bottle
- No alcohol (not flammable), completely bio-degradable
- Contents: Pump-spray bottle

19.04.4185

- 100 moist disinfectant cleaning cloths
- For all plastic and metal surfaces (printer, keyboard, CPU, phone, fax (not for TFT screens) ets.)
- For a healthier office environment
- Fast drying, for a streak free shine
- Contents: Tub with 100 pcs.

**Note: Use biocides safely. Always read the label and product information before use.**

19.04.4140

- This set offers you a complete solution for cleaning your complete office-workplace
- Contents: 1x 125ml ROLINE TFT-Cleaner, 1x keyboard sponge and swab, 1x all-round-sponge and 4x tissues „dry“



19.04.4110



19.04.4130



19.04.4185



19.04.4135



19.04.4100



19.04.4160

Order-No. – P.U.

|   |                |
|---|----------------|
| ROLINE Monitor- and Plastic-Cleaner         | 19.04.4125 – 1 |
| ROLINE Universal-Cleaning-Tissues           | 19.04.4100 – 1 |
| ROLINE Aerosol Can Air Duster, 400 ml       | 19.04.4110 – 1 |
| ROLINE Antistatic Foam-Cleaner, 400 ml      | 19.04.4130 – 1 |
| ROLINE TFT Cleaner                          | 19.04.4135 – 1 |
| ROLINE TFT Cleaner with microfiber cloth    | 19.04.4160 – 1 |
| ROLINE Disinfectant Computer Cleaning Wipes | 19.04.4185 – 1 |
| ROLINE PC-Cleaning Set                      | 19.04.4140 – 1 |



Designed for Professionals



19.04.4140





## TV Holders / Furnitures

# 10

|                                   |                              |
|-----------------------------------|------------------------------|
| TV Wall Holders . . . . .         | 10.02 – 10.04, 10.06 – 10.09 |
| TV Ceiling Holders . . . . .      | 10.05                        |
| Digital Signage . . . . .         | 10.10                        |
| TV Mobile Cart . . . . .          | 10.10 – 10.13                |
| Media Player Mount . . . . .      | 10.14                        |
| Wall Cable Cover . . . . .        | 10.15                        |
| Cable Box . . . . .               | 10.15                        |
| Floor Cable Cover . . . . .       | 10.15                        |
| Special Offer TV Holder . . . . . | 10.16                        |

VALUE LCD/Plasma TV Wall Holder, Low Profile

This wall mount allows a very discreet installation of a LCD/Plasma TV, perfect for e.g. a wooden wall.

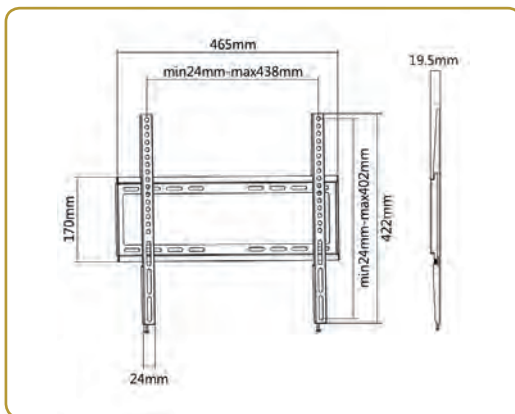
- Weight capacity: up to 35 kg
- Screen Size: 81 cm up to 139 cm
- Low profile- very small distance to wall 19mm
- Material: Steel
- Max. VESA 400 x 400 mm



Order-No. – P.U.

VALUE LCD/Plasma TV Wall Holder, Low Profile, black

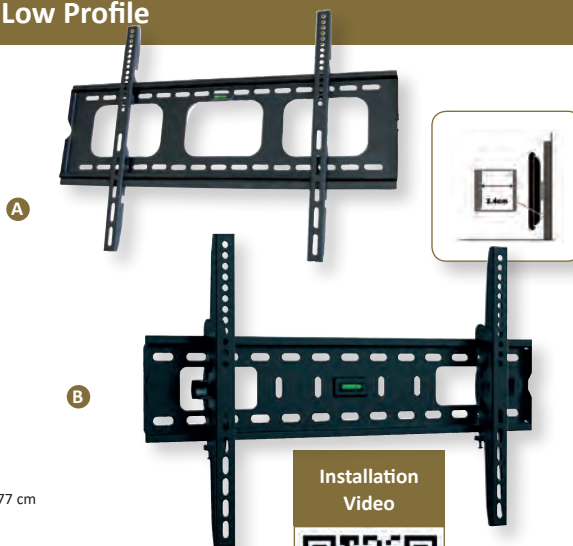
17.99.1202 – 12



VALUE LCD/Plasma TV Wall Holder, Low Profile

This wall mount allows a very discreet installation of a LCD/Plasma TV, perfect for e.g. a wooden wall.

- Weight capacity: up to 80 kg
- Screen Size: 81 cm up to 152 cm
- Low profile- very small distance to wall
- Material: Steel
- Max. VESA 700 x 500 mm



|                           |                    |                    |
|---------------------------|--------------------|--------------------|
| Technical data:           | 17.99.1214         | 17.99.1218         |
| Fixing:                   | wall mount         | wall mount         |
| Load capacity:            | up to 80 kg        | up to 75 kg        |
| Screen size:              | 81 cm up to 152 cm | 93 cm up to 177 cm |
| Distance monitor to wall: | 2.4 cm             | 8 cm               |
| Tilttable up or down:     | -                  | 10°                |

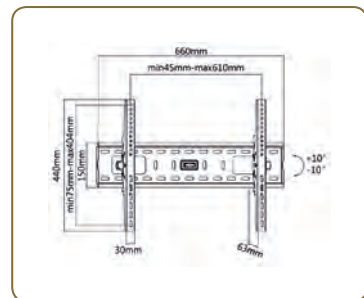
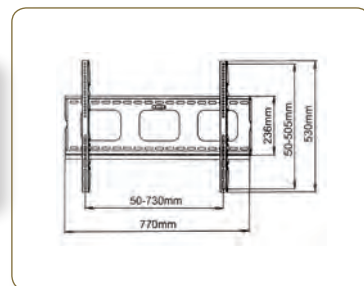
Order-No. – P.U.

VALUE LCD/Plasma TV Wall Holder, Low Profile

A 17.99.1214 – 5

VALUE LCD/Plasma TV Wall Holder, Tilttable

B 17.99.1218 – 4



VALUE TV Wall Mounts, < 40kg

Stable and fixed TV wall mount with just 27mm wall distance - the load capacity is up to 40kg and the mount supports maximum VESA 400x400.

- For screens from 32" to 55" (max. VESA 400x400)
- Load capacity up to 40kg
- Fixed suspension
- Very small wall distance of 27mm
- Securing against unintentional loosening of the mounting hooks
- Integrated spirit level



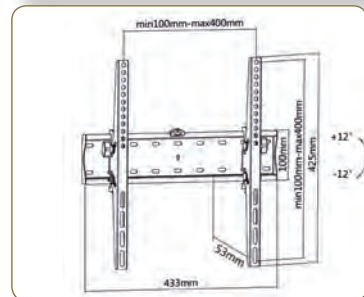
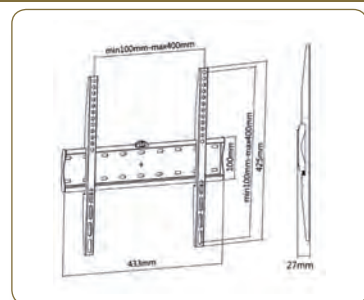
Order-No. – P.U.

VALUE TV Wall Mount, 27mm Wall distance, 40kg load capacity,

17.99.1213 – 10

VALUE TV Wall Mount, 27mm Wall distance, 40kg load capacity, tilttable

17.99.1219 – 10



VALUE TV Wall Mount, Fixed / Tilttable, Short Wall Distance, < 75kg / 120kg

Stable and fixed/tiltable TV wall mount with short wall distance - the load capacity is up to 120 kg depending and the mount supports maximum VESA 900x600 all depending on the model version. (please see the overview)

- For screens from 37" to 120" (max. VESA 900 x 600)
- Load capacity up to 120 kg depending on the model
- Tilttable suspension (3 models- 17.99.1221 / 17.99.1223 / 17.99.1225)
- Very small wall distance depending on the model
- Securing against unintentional loosening of the mounting hooks
- Integrated spirit level

| Specifications:              | 17.99.1221 / 17.99.1222                                       | 17.99.1223 / 17.99.1224  | 17.99.1225 / 17.99.1226   |
|------------------------------|---|--|---|
| <b>Material</b>              | Steel, Plastic  | Steel, Plastic   | Steel, Plastic  |
| <b>Surface Finish</b>        | Powder Coating  | Powder Coating   | Powder Coating  |
| <b>Color</b>                 | Black & Dark Grey   | Black & Dark Grey  | Black & Dark Grey   |
| <b>Dimensions</b>            | 47 x 770 x 430mm(1.9"x30.3"x16.9")                            | 47 x 970 x 430mm(1.9"x38.2"x16.9")                                     | 47 x 970 x 430mm(1.9"x38.2"x16.9")  |
| <b>Fit Screen Size</b>       | 37" – 80"   | 43" – 90"  | 60" – 120"  |
| <b>Fit Curved TV</b>         | Yes   | Yes  | Yes   |
| <b>Mounting Hole Pattern</b> | VESA & Universal  | VESA & Universal   | VESA & Universal  |
| <b>VESA Compatible</b>       | 200x200, 300x200, 300x300, 400x200, 400x300, 400x400, 600x400 | 200x200, 300x200, 300x300, 400x200, 400x300, 400x400, 600x400, 800x400 | 200x200, 200x300, 300x200, 200x400, 400x200, 300x300, 300x400, 400x300, 600x200, 400x400, 600x300, 400x600, 600x400, 700x400, 800x400, 600x600, 800x500, 800x600, 900x600 |
| <b>Max. Mounting Hole</b>    | 668 x 405mm   | 868 x 405mm  | 974 x 602mm   |
| <b>Weight Capacity</b>       | 75 kg   | 75 kg  | 120 kg  |
| <b>Profile</b>               | 47mm / 27mm   | 47mm / 27mm  | 80mm / 35mm   |
| <b>Tilttable</b>             | Yes / No  | Yes / No   | Yes / No  |
| <b>Tilt Range</b>            | +4° – -10° / –  | +4° – -10° / –   | +10° – -10° / –   |
| <b>Screen Level</b>          | 8mm   | 8mm  | 8mm   |



Tilttable



17.99.1221



17.99.1223



17.99.1225

Fixed



17.99.1222



17.99.1224



17.99.1226

Order-No. – P.U.

|   |                |
|---|----------------|
| VALUE TV Wall Mount, 47mm Wall Distance, < 75kg, <b>Tilttable</b> , VESA 600x400, <203.2cm (80")  | 17.99.1221 – 6 |
| VALUE TV Wall Mount, 27mm Wall Distance, < 75kg, <b>Fixed</b> , VESA 600x400, <203.2cm (80")      | 17.99.1222 – 8 |
| VALUE TV Wall Mount, 47mm Wall Distance, < 75kg, <b>Tilttable</b> , VESA 800x400, <228.6cm (90")  | 17.99.1223 – 6 |
| VALUE TV Wall Mount, 27mm Wall Distance, < 75kg, <b>Fixed</b> , VESA 800x400, <228.6cm (90")      | 17.99.1224 – 8 |
| VALUE TV Wall Mount, 80mm Wall Distance, <120kg, <b>Tilttable</b> , VESA 900x600, <304.8cm (120") | 17.99.1225 – 4 |
| VALUE TV Wall Mount, 35mm Wall Distance, <120kg, <b>Fixed</b> , VESA 900x600, <304.8cm (120")     | 17.99.1226 – 4 |





## VALUE LCD/TV Wall Mount

- Mounts a monitor onto a wall
- Integrated cable management system
- Built-in level adjustment
- Swiveling arm offer maximum viewing flexibility (+90° --90°)
- Freely tilting allows easy TV angle adjustment (+5° - 15°)
- Load capacity: up to 35 kg
- Arm length: 61 cm
- Contents: supporting arm

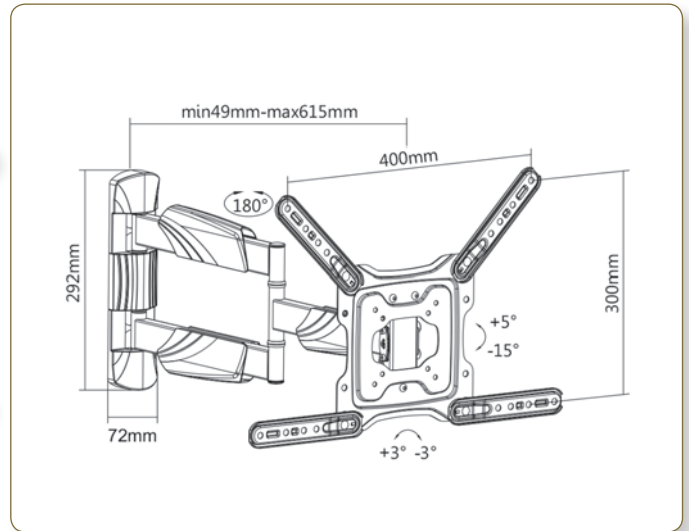
Technical data: 17.99.1144  
 Fixing: wall mount  
 Load capacity: up to 35 kg  
 Joints: 4  
 Arm length: 61 cm



Order-No. - P.U.

VALUE LCD/TV Wall Mount, 4 Joints

17.99.1144 - 5



## VALUE LCD/TV Wall Mount

- Arm length: up to 425 mm
- Max. load: 25 kg
- Mounts your screen to the wall and monitor can be tilted ,swiveded and rotated
- Meets VESA 75 x 75 mm, 100 x 100 mm, 100 x 200 mm, 200 x 200 mm
- Colour: black
- Contents: supporting arm



Technical data: 17.99.1143  
 Fixing: wall mount  
 Load capacity: up to 25 kg  
 Joints: 5  
 Arm length: up to 40 cm

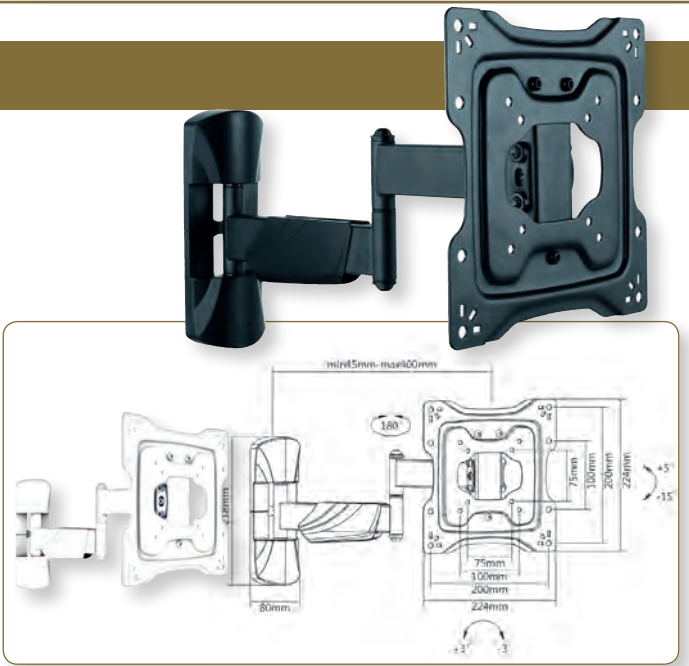
Order-No. - P.U.

VALUE LCD/TV Wall Mount, black, 5 Joints

17.99.1143 - 5

VALUE LCD/TV Wall Mount, white, 5 Joints

17.99.1148 - 5



## ROLINE LCD/TV Wall Mount

- Arm length: up to 425 mm
- Max. load: 25 kg
- Mounts your screen to the wall and monitor can be tilted ,swiveded and rotated
- Meets VESA 75 x 75 mm, VESA 100 x 100 mm, VESA 100 x 200 mm, VESA 200 x 200 mm
- Colour: black
- Contents: supporting arm, mounting screws, 6 mm hex wrench, manual, cable clips

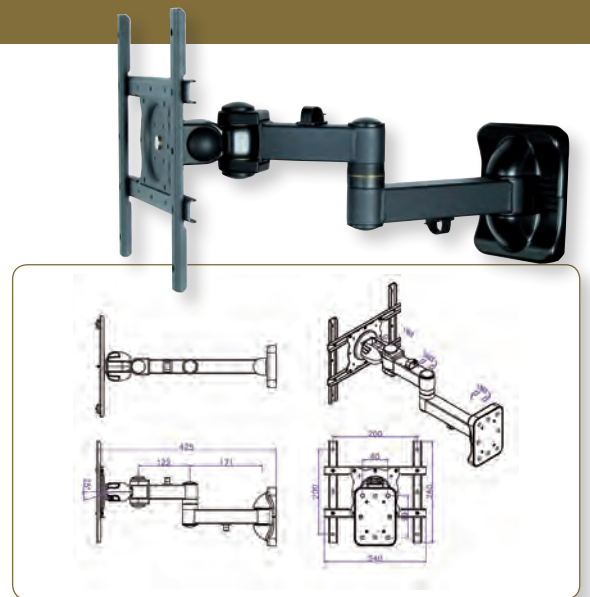


Technical data: 17.03.1169  
 Fixing: wall mount  
 Load capacity: up to 25 kg  
 Joints: 5  
 Arm length: 42 cm

Order-No. - P.U.

ROLINE LCD/TV Wall Mount, 5 Joints

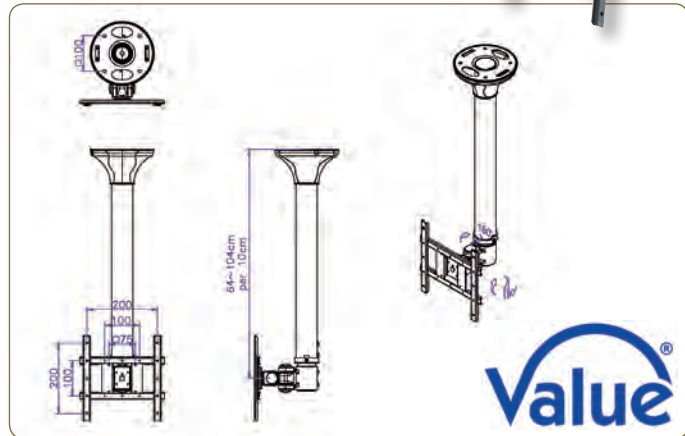
17.03.1169 - 6



**VALUE LCD TV Ceiling Mount**

- Firm mounting of a LCD monitor on a ceiling
- Arm length: 64.5- 104.5 cm
- Load capacity: up to 20 kg
- Cables can be layed inside the arm
- LCD monitor can be swiveled and tilted
- Meets VESA 75 x 75 mm, VESA 100 x 100 mm, VESA 100 x 200 mm, VESA 200 x 200 mm
- Contents: Ceiling mount, mounting material, manual

Technical data: 17.99.1107  
 Fixing: ceiling mount  
 Load capacity: up to 20 kg  
 Joints: 2  
 Arm length: 65 - 104 cm



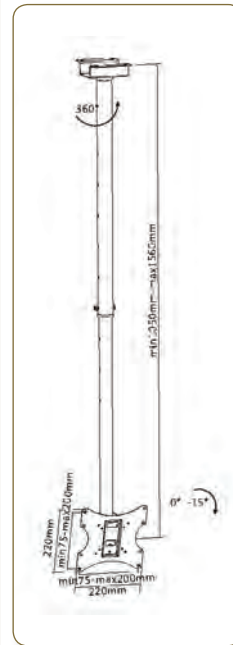
Order-No. - P.U.

VALUE LCD TV Ceiling Mount, 2 Joints

17.99.1107 - 2

**VALUE LCD/TV Ceiling Mount, 50kg**

- Ceiling mount for a monitor/TV up to 42"
- Load capacity: up to 50 kg
- Meets VESA 75 x 75, 100 x 100, 100 x 200 ou 200 x 200 mm
- Arm length: 105- 156 cm
- -15° tilt; 360° swivel
- Contents: supporting arm



Order-No. - P.U.

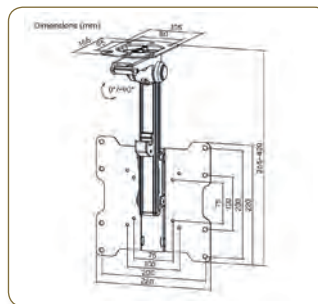
VALUE LCD/TV Ceiling Mount, 50kg

17.99.1217 - 3

**VALUE LCD TV Ceiling Mount (Sloping roof)**



- Firm mounting of a LCD monitor on a ceiling
- Arm length: 26.5- 40 cm
- Load capacity: up to 20 kg
- Profile: 85mm
- Tilt Range: 0°/-90°
- Swivel Range: +45° ~ -45°
- Meets VESA 75x75, 100x100, 200x100, 200x200 mm
- Contents: Ceiling mount, mounting material, manual



Order-No. - P.U.

VALUE LCD TV Ceiling Mount (Sloping roof)

17.99.1186 - 8

**VALUE TV Wall Mount, 72mm Wall Distance, < 75kg, VESA 600x400**



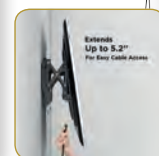
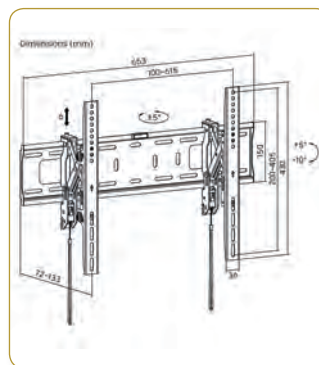
**Stable and tiltable TV wall mount with just 72mm wall distance - the load capacity is up to 75kg and the mount supports maximum VESA 600x400.**

- For screens from 37 inch to 80 inch (max. VESA 600x400)
- VESA Compatible: 200x200,200x300,300x200,200x400,400x200,300x300,300x400, 400x300,600x200,400x400,600x300,600x400
- Load capacity up to 75kg
- Tiltable suspension
- Tilt range: +5° - -5°
- Wall distance of 72- 132 mm
- Securing against unintentional loosening of the mounting hooks
- Integrated spirit level

Order-No. - P.U.

VALUE TV Wall Mount, 72mm Wall Distance, < 75kg, VESA 600x400, tiltable

17.99.1185 - 4



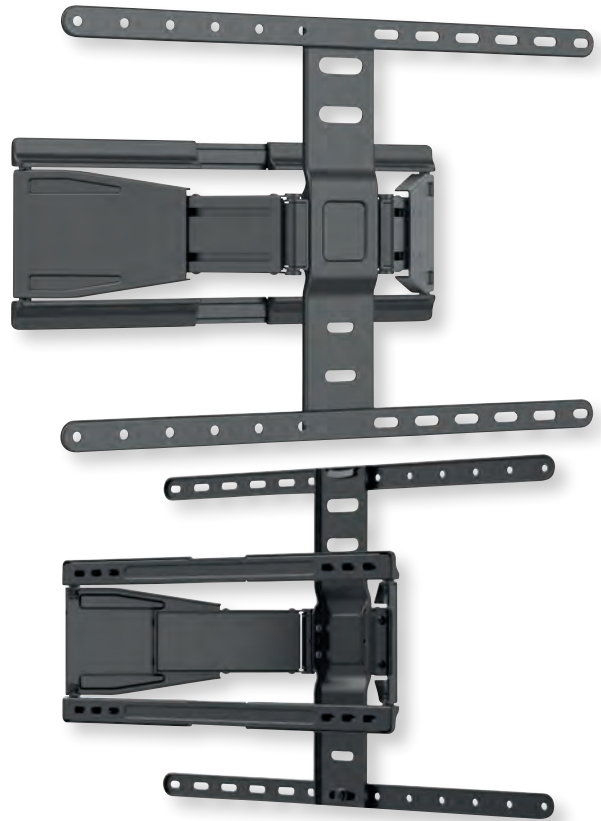
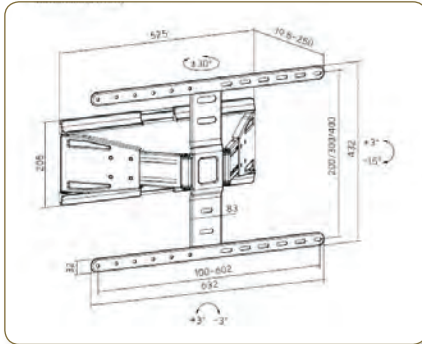
VALUE Solid Articulating Wall Mount TV Holder, up to 228.6cm (43" - 90")



- Dual-arm full-motion wall mount for TVs (LED, LCD flat panel TVs) up to 228,6cm (43"- 90")
- Ultra-slim design: Profile 19.50- 250 mm (0.77"- 9.80")
- Max. weight: 50kg
- This mount extends out between 19.50 and 250 mm from wall and allows TVs to turn 30° left or right
- Full motion allows maximum flexibility- tilts and swivel your TV for easy viewing from any seat in a room
- Post-installation level adjustment allows the TV to „roll“ up to 3° clockwise and counter-clockwise to ensure it's perfect level
- Integrated cable management system keeps cables organized and protected
- Wide wall plate fits for 406/450mm stud installation

Technical Data:

- Material: Steel
- Recommended Screen Size: up to 228.6 cm (43"-90")
- Installation: Solid wall, Double Stud
- Max. Load Capacity: 50kg
- VESA Standard: 100x200, 200x200, 200x300, 300x200, 200x400, 400x200, 300x300, 300x400, 400x300, 600x200, 400x400, 600x300, 600x400
- Max.VESA: 600x400
- Tilt: 3°~15°
- Swivel: -30°~+30°
- Level



Order-No. - P.U.

VALUE Solid Articulating Wall Mount TV Holder, up to 228.6cm (43" - 90") 17.99.1188 - 3

VALUE Solid Articulating Wall Mount TV Holder, up to 177.8cm (37" - 70")

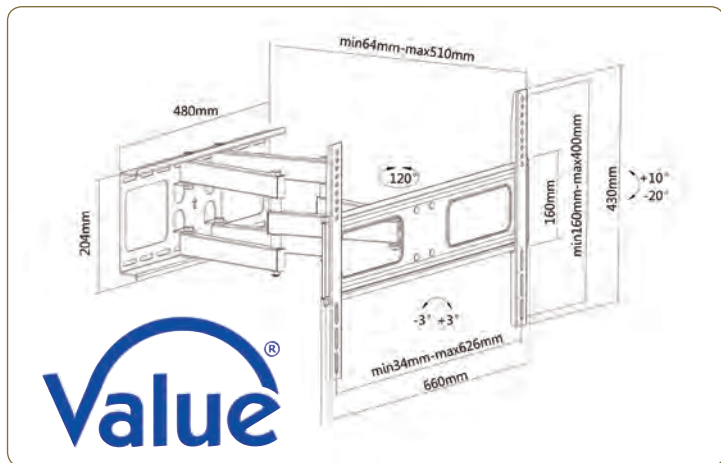


- Dual-arm full-motion wall mount for TVs (LED, LCD flat panel TVs) up to 177,8cm (37"- 70")
- Max. weight: 50kg
- This mount extends out 510mm from wall and allows TVs to turn 60° left or right
- Full motion allows maximum flexibility- tilts and swivel your TV for easy viewing from any seat in a room
- Post-installation level adjustment allows the TV to „roll“ up to 3° clockwise and counter-clockwise to ensure it's perfect level
- Integrated cable management system keeps cables organized and protected
- Wide wall plate fits for 406/450mm stud installation

Technical Data:

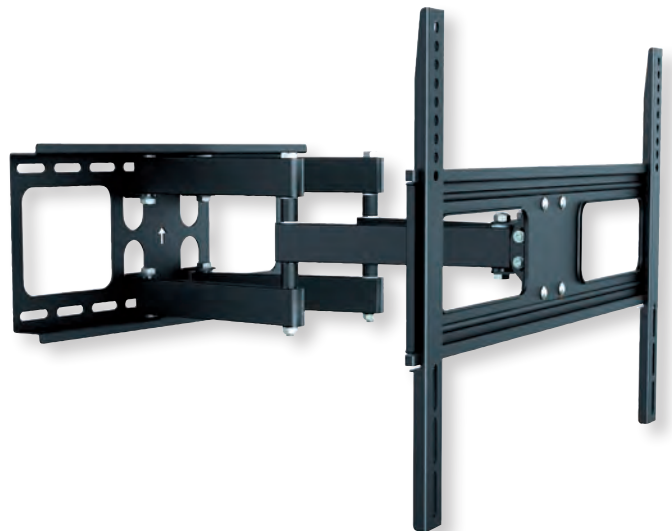
- Material: Steel
- Product weight: 7 kg
- Recommended Screen Size: up to 177,8cm (37"-70")
- Installation: Solid wall, Double Stud
- Max. Load Capacity: 50kg
- Max.Hole Pattern: 626x400mm
- VESA Standard: 200x200, 400x200, 300x300, 400x400, 600x400
- Max.VESA: 600x400
- Tilt: -20° ~ +10°
- Swivel: -60° ~ +60°
- Level Adjustment: -3° ~ +3°

Installation Video



Order-No. - P.U.

VALUE Solid Articulating Wall Mount TV Holder, up to 177.8cm, black 17.99.1205 - 2





**VALUE Solid Articulating Wall Mount TV Holder, up to 177.8cm (37" - 70"), < 35 kg / 45 kg**

**17.99.1209**

**Flexibly adjustable wall mount for TV monitors with diagonals from 37" to 70".**

- Single-arm full-motion wall mount for TVs (LED, LCD flat panel TVs) up to 177,8cm (37" - 70")
- **Max. weight: 35 kg**
- This mount extends out 480mm from wall and allows TVs to turn left or right
- Full motion allows maximum flexibility- tilts and swivel your TV for easy viewing from any seat in a room
- Post-installation level adjustment allows the TV to „roll“ up to 3° clockwise and counterclockwise to ensure it's perfect level
- Integrated cable management system keeps cables organized and protected
- Wide wall plate fits for stud installation

**Technical Data:**

- Material:Steel
- Recommended Screen Size:up to 177.8 cm (37"-70")
- Installation: Solid wall, Double Stud
- Max. Load Capacity: **35 kg**
- Max.Hole Pattern: 600 x 400mm
- VESA Standard:200x200, 400x200, 300x300, 400x300, 400x300, 600x400
- Tilt:-12° /- Level



17.99.1209



**17.99.1211**

**Flexibly adjustable wall mount for TV monitors with diagonals from 37" to 70".**

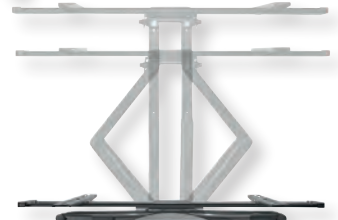
- Dual-arm full-motion wall mount for TVs (LED, LCD flat panel TVs) up to 177,8cm (37" - 70")
- **Max. weight: 45 kg**
- This mount extends out 400mm from wall and allows TVs to turn left or right
- Full motion allows maximum flexibility- tilts and swivel your TV for easy viewing from any seat in a room
- Post-installation level adjustment allows the TV to „roll“ up to 3° clockwise and counterclockwise to ensure it's perfect level
- Integrated cable management system keeps cables organized and protected
- Wide wall plate fits for stud installation

**Technical Data:**

- Material:Steel
- Recommended Screen Size:up to 177.8 cm (37"-70")
- Installation: Solid wall, Double Stud
- Max. Load Capacity: **45 kg**
- Max.Hole Pattern:400 x 400mm
- VESA Standard:200x200, 400x200, 300x300, 400x300, 400x300, 400x400
- Tilt:-12° /- Level



17.99.1211



VALUE Solid Articulating Wall Mount TV Holder, up to 177.8cm (37" - 70"), < 35 kg

VALUE Solid Articulating Wall Mount TV Holder, up to 177.8cm (37" - 70"), < 45 kg

Order-No. - P.U.

17.99.1209 - 5

17.99.1211 - 4

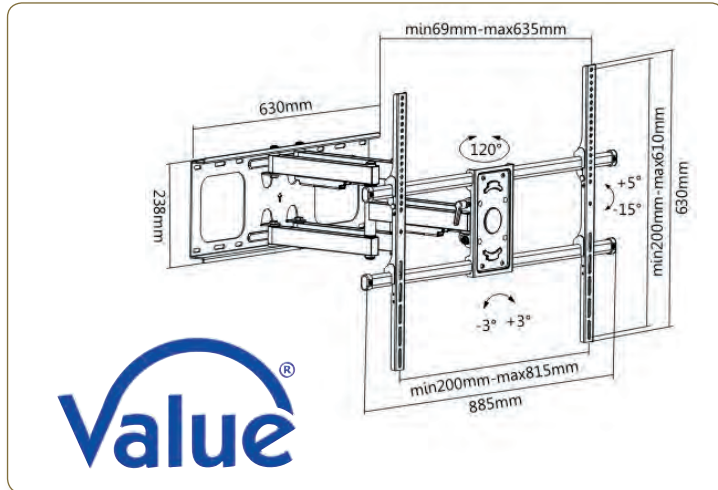


### VALUE Solid Articulating Wall Mount TV Holder, up to 228.6cm (50" – 90")

- Dual-arm full-motion wall mount for TVs (LED, LCD flat panel TVs) up to 228,6 cm (50"- 90")
- Max. weight: 75 kg
- This mount extends out 635 mm from wall and allows TVs to turn 60° left or right
- Full motion allows maximum flexibility- tilts and swivel your TV for easy viewing from any seat in a room
- Post-installation level adjustment allows the TV to „roll“ up to 3° clockwise and counter-clockwise to ensure it's perfect level
- Integrated cable management system keeps cables organized and protected

#### Technical Data:

- Material: Steel
- Product weight: 12kg
- Recommended Screen Size: 50"- 90" (127 cm- 228,6 cm)
- Installation: Solid wall, Double Stud
- Max. Load Capacity: 75 kg
- VESA Standard: 200x200, 400x200, 300x300, 400x400, 600x400, 800x400, 800x600
- Max.VESA: 800x600
- Tilt:-15°~+5°
- Swivel:-60°~+60°



Order-No. – P.U.

VALUE Solid Articulating Wall Mount TV Holder, up to 75kg

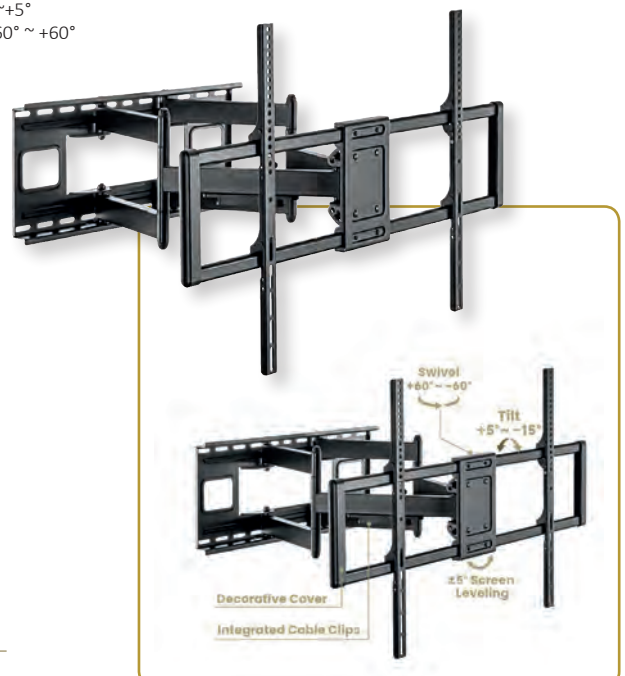
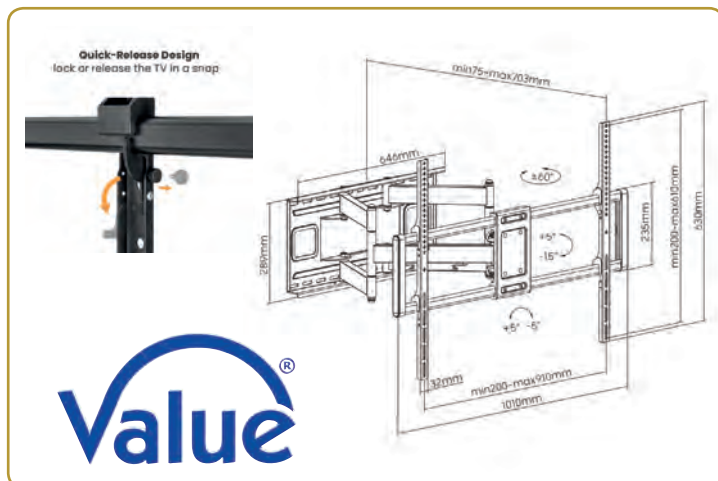
17.99.1207 – 2

### VALUE Solid Articulating Wall Mount TV Holder, < 120kg, < 304.8cm (60" - 120")

- Dual-arm full-motion wall mount for TVs up to 304.8cm (60"- 120")
- Max. weight: 120kg
- This mount extends out 703mm from wall and allows TVs to turn 60° left or right
- Full motion allows maximum flexibility- tilts and swivel your TV for easy viewing from any seat in a room
- Post-installation level adjustment allows the TV to „roll“ up to 3° clockwise and counter-clockwise to ensure it's perfect level
- Integrated cable management system keeps cables organized and protected

#### Technical Data:

- Material: Steel
- Recommended Screen Size: up to 304.8 cm (60" - 120")
- Installation: Solid wall, Double Stud
- Max. Load Capacity: 120kg
- Max. Hole Pattern: 610x900mm
- VESA Standard: 200x200, 300x200, 300x300, 400x300, 400x400, 600x400, 800x400, 800x600, 900x600
- Max.VESA: 900x600
- Tilt:-15°~+5°
- Swivel:-60° ~ +60°
- Level



Order-No. – P.U.

VALUE Solid Articulating Wall Mount TV Holder, < 120kg, < 304.8cm (60" - 120")

17.99.1227 – 2

**ROLINE PREMIUM Wall Mount TV Holder, < 203.2cm (37"-80"), VESA 600x400, <70kg**

With a concise and contemporary design, the TV holder strikes an ideal balance of aesthetics and functionality that provides a more enjoyable user experience. The mount securely supports TVs up to 70kg and offers a full range of motion that extends, retracts, tilts and positions the TV to accommodate any room or viewing position.

Extending or retracting your TV has never been easier- an improved structure with built-in copper bushings provides the smoothest movement when the mount is extended and folded back against the wall.

- Premium Aluminum Full-Motion TV Wall Mount
- Dual-arm full-motion wall mount for TVs (LED, LCD flat panel TVs) up to 203,2 cm (37"- 80")
- **Max. weight: 70 kg**
- This mount extends out 660 mm from the wall and allows TVs to turn 60° left or right (swivel range)
- Full motion allows maximum flexibility- tilt and swivel your TV for easy viewing from any seat in a room
- Post-installation level adjustment allows the TV to „roll“ up to 2° clockwise and counterclockwise to ensure it's perfect level
- Integrated cable management system keeps cables organized and protected
- Built-In Copper Bushing: for smoother movements
- **Magnetic Contact: easily attach the decorative covers**

**Specifications**

- Material: Aluminium, Steel and Plastic
- Product weight: 12.1kg
- Recommended Screen Size: 37"- 80" (94 cm - 203.2 cm)
- Installation: Solid wall, Double Stud
- Max. Load Capacity: 70 kg
- VESA Standard: 200x200, 200x300, 300x200, 200x400, 400x200, 300x300, 300x400, 400x300, 400x400, 600x400
- Max.VESA: 600x400
- Tilt: -10° – +5°
- Swivel: -60° – +60°



**Magnetic Contact**  
easily attach the decorative covers

**Built-In Copper Bushing**  
for smoother movements

**Reliable Tilting Tool**



Order-No. – P.U.



ROLINE Digital Signage Video Wall Solution



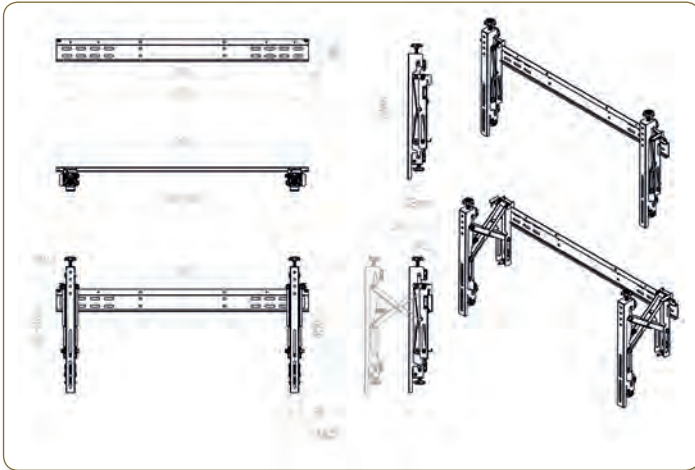
For what types of businesses are these products commonly used?

- Trade Shows & Convention Centers
- Retail Stores- for shoppers to participate in giveaways or learn more about the range of offered products

Highlights:

- Aligning of the the displays very quickly
- Lock screw to set position if desired
- TFT Orientation: Vertical
- Universal mount style fits various sizes of most displays with VESA max.600x400 mm
- Push-out open mount providing easy maintainance access
- Max. Weight load capacity: 50 kg
- **The solution consists of two brackets; so you need as for a small video wall (2x 2 monitors) twice this article**

- Colour: black
- Contents: 2x supports



Order-No. – P.U.

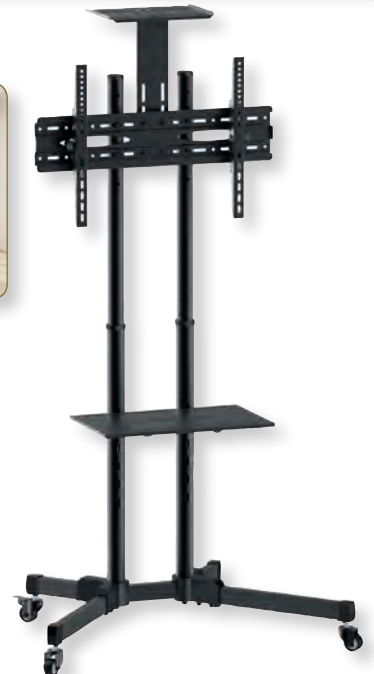
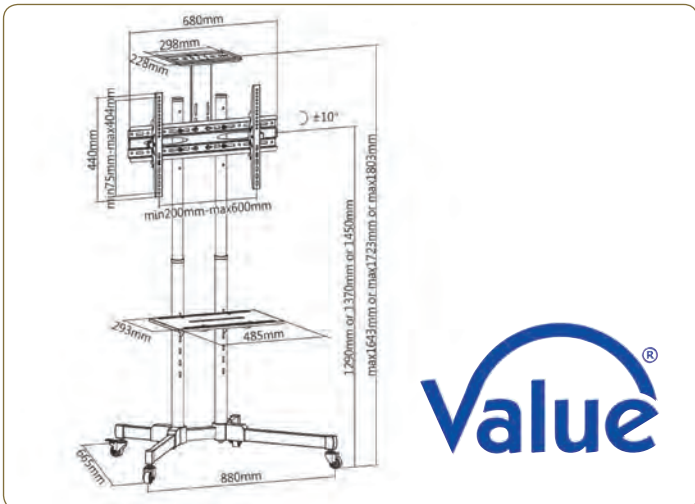
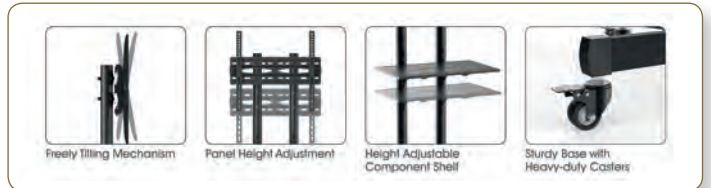
ROLINE Digital Signage Video Wall Solution

17.03.1252 – 1

VALUE LCD/TV Mobile Cart, < 50kg (94 - 178cm / 37" – 70")

Ideal for applications in conference rooms or class rooms!

- For mounting screens with:  
Horizontal mounting: 20 cm to 60 cm  
Vertical mounting: 7,5 cm to 40 cm
- For LCD monitors up to 50 kg
- Screen diagonal: 94- 178 cm
- Adjustable height: 129cm / 137cm / 145 cm
- Platform for a DVD player or notebook e.g. a DVD player (surface 293 x485 mm; max. 10kg)
- Cable duct in the vertical carrier
- Supports VESA:  
200 x 200, 300 x 300,400 x 200, 400 x 400, 600 x 400



Order-No. – P.U.

VALUE LCD/TV Mobile Cart, < 50kg (94 - 178cm / 37" - 70")

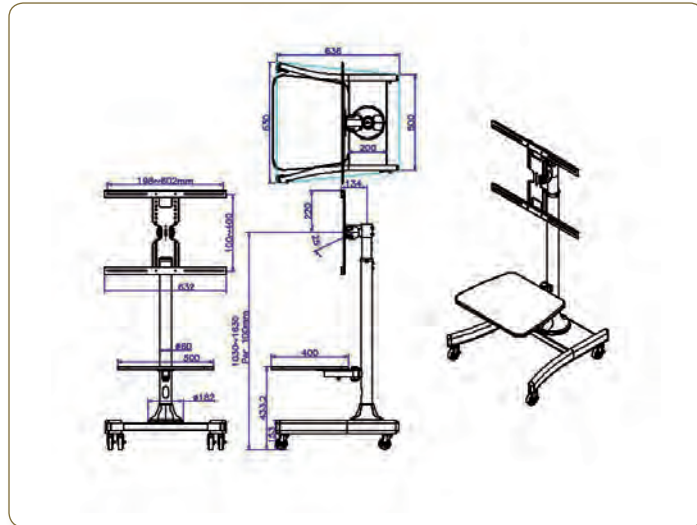
17.99.1167 – 1

**VALUE LCD/TV Mobile Cart**



**Ideal for applications in conference rooms or class rooms!**

- For an easy mobile use of a large LCD monitor or TV
- For fixing LCDs with:
- Handy holders for moving the stand
- Platform for a DVD player or notebook
- Cable channel inside vertical carrier
- Supports max. VESA:  
17.99.1164 - 600 x 400  
17.99.1165 - 800 x 600



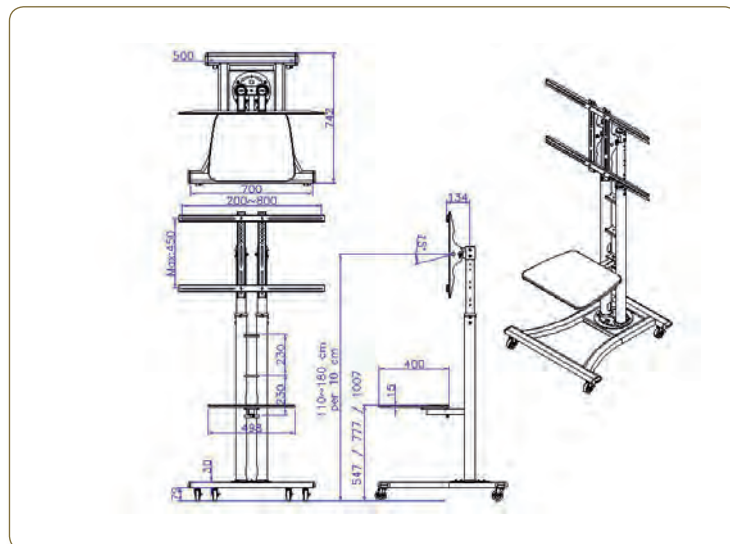
|  | Order-No. - P.U. |
|--|------------------|
| VALUE LCD/TV Mobile Cart                             | 17.99.1164 - 1   |
| VALUE LCD/TV Mobile Cart, heavy weight (up to 125kg) | 17.99.1165 - 1   |

**VALUE LCD/Plasma TV Cart, silver**



**Ideal for applications in conference rooms or class rooms!**

- For an easy mobile use of a large LCD monitor or flat-screen TV
- For fixing LCDs with screen size: 69- 152 cm (27"- 60")
- Load capacity: up to 50 kg
- Adjustable height: 110 up to 180 cm
- TV can be tilted downward up to 15 degrees
- Platform for e. g. holding a DVD player or notebook (WxD): 498 x 400 mm
- Cables can go through the tube
- Four wheels for easy movement whereof two are lockable
- Supports max. VESA: 800 x 400



|                                  | Order-No. - P.U. |
|----------------------------------|------------------|
| VALUE LCD/Plasma TV Cart, silver | 17.99.1320 - 1   |

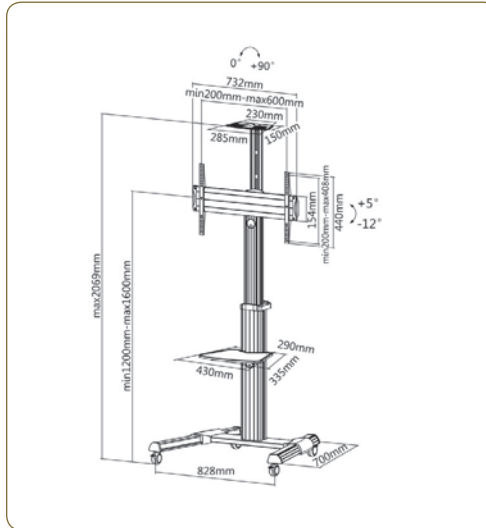
## ROLINE LCD/TV Mobile Cart, up to 50 kg

MEDICAL ENVIRONMENT

Ideal for applications in conference or class rooms, easily suitable for meetings and presentations!

- Telescopic Height Adjustable TV Cart
- Rotating function of 0°-90° to switch between „landscape“ and „portrait“ mode
- Optional Webcam Mount included in the scope of delivery
- Height adjustable TV mount
- Free-tilting design between +5° and -12° for multiple monitor viewing angles
- Quick-release spring lock adjusts height effortlessly
- Quick assembly shelf assures easy post-intallation
- Cable management keeps everything organized
- Sturdy base with heavy-duty casters
- Supports max. VESA: 600x400
- Suggested screen size: up to 94 cm - 177.8 cm (37“-70“)
- Maximum weight capacity: 50kg

Installation  
Video



**roline**<sup>®</sup>  
Designed for Professionals

Order-No. – P.U.

ROLINE LCD/TV Mobile Cart, up to 50 kg

17.03.1260 – 1

## ROLINE LCD/TV Mobile Cart, up to 100 kg

MEDICAL ENVIRONMENT

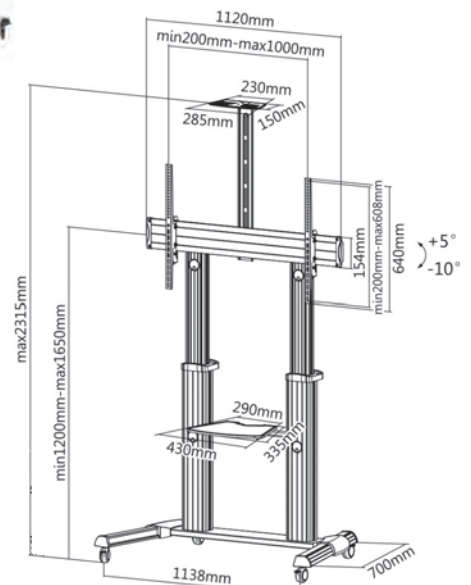
Ideal for applications in conference or class rooms, easily suitable for meetings and presentations!

- Telescopic Height Adjustable TV Cart
- Height adjustable TV mount
- Optional Webcam Mount included in the scope of delivery
- Free-tilting design between +5° and -10° for multiple monitor viewing angles
- Quick-release spring lock adjusts height effortlessly
- Quick assembly shelf assures easy post-intallation
- Cable management keeps everything organized
- Sturdy base with heavy-duty casters
- Supports max. VESA: 1000x600
- Suggested screen size: up to 152,4 cm - 254 cm (60“-100“)
- Maximum weight capacity: 100kg



**roline**<sup>®</sup>  
Designed for Professionals

Installation  
Video



Order-No. – P.U.

ROLINE LCD/TV Mobile Cart, up to 100 kg

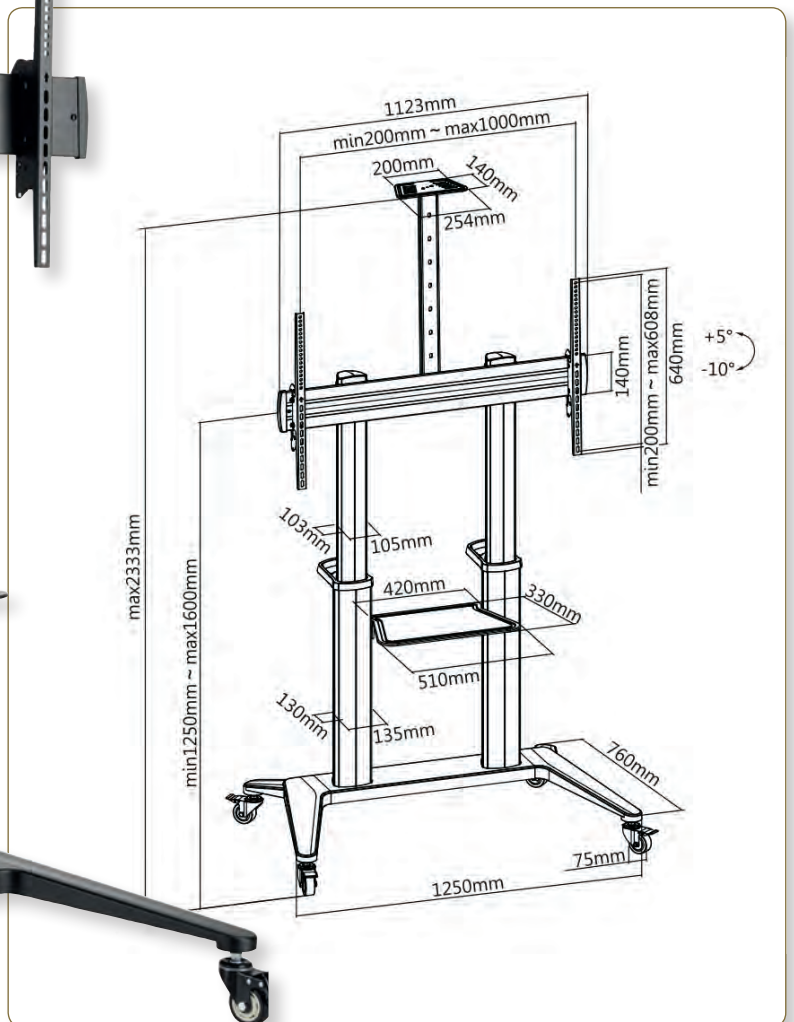
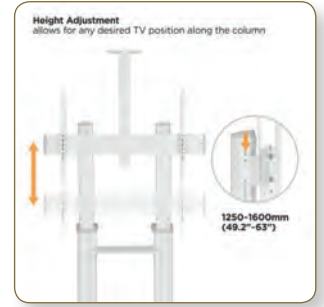
17.03.1261 – 1



**ROLINE Ultra Large LCD/TV Mobile Cart, TV < 304cm (70" - 120"), up to 140 kg**

**Ideal for applications in conference or class rooms, easily suitable for meetings and presentations!**

- Telescopic Height Adjustable TV Cart
- Height adjustable TV mount
- Optional Webcam Mount included in the scope of delivery
- Free-tilting design between +5° and -10° for multiple monitor viewing angles
- Quick-release spring lock adjusts height effortlessly
- Quick assembly shelf assures easy post-installation
- Cable management keeps everything organized
- D-Ring Handle: for quick and easy movement
- Sturdy base with heavy-duty casters
- Supports max. VESA: 1000 x 600
- Shelf Weight Capacity: 5 kg
- Camera Rack Weight Capacity: 5 kg
- Suggested screen size: up to 177,8- 304,8 cm (70" - 120")
- Maximum weight capacity: 140kg
- Colour: black



Order-No. - P.U.

**roline®**  
Designed for Professionals

### ROLINE Media Player Holder, small (202 x 160 mm)

#### Practical, media holder - for an organized, tidy workplace!

- The product offers you a smart choice to organize your equipment for a cleaner look
- Compatible with common streaming devices (e.g. Amazon Fire, Apple TV and others).
- For modems, routers, and gaming units
- Three installation options: wall mounted, VESA mounted on TV and bracket mounted
- Perfect for modems, routers, and gaming units

Material: Steel  
Surface Finish: Powder Coating  
Dimensions: 202 x 160 x 9.5mm  
Load Capacity: < 1kg  
Color: Matte Black

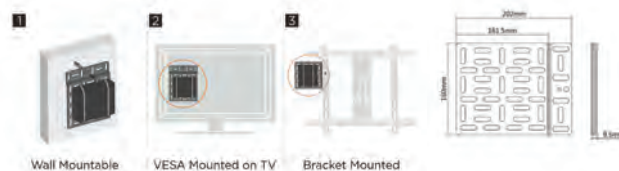
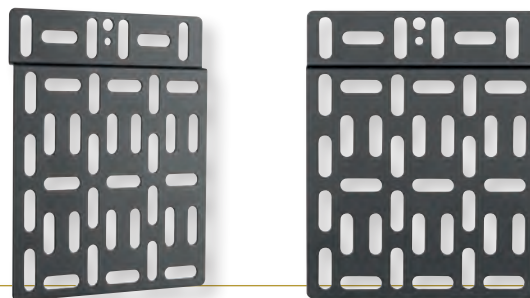
**roline**<sup>®</sup>  
Designed for Professionals



Order-No. – P.U.

ROLINE Media player holder, small (202 x 160 mm), black

17.03.0032 – 10



### ROLINE Media Player Holder, large (340 x 224 mm)

#### Practical, media holder - for an organized, tidy workplace!

- The product offers you a smart choice to organize your equipment for a cleaner look
- Compatible with common streaming devices (e.g. Amazon Fire, Apple TV and others).
- For modems, routers, and gaming units
- Three installation options: wall mounted, VESA mounted on TV and bracket mounted
- Perfect for modems, routers, and gaming units

Material: Steel  
Surface Finish: Powder Coating  
Dimensions: 340 x 224 x 9,5 mm  
Load Capacity: < 5 kg  
Color: Matte Black

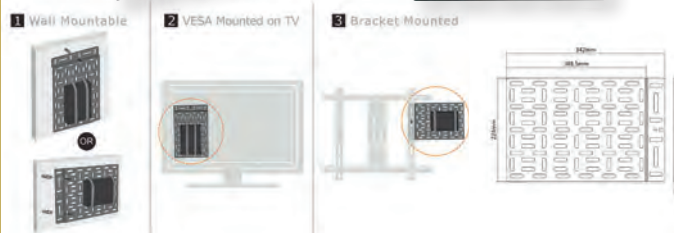
**roline**<sup>®</sup>  
Designed for Professionals



Order-No. – P.U.

ROLINE Media player holder, large (340 x 224 mm), black

17.03.0033 – 10



### ROLINE All-in-One VESA Compatible Device Shelf

#### Practical holder - for an organized, tidy workplace!

- The ultimate device organizer for monitor arm users — perfect for online meetings and live-streaming.
- Support front and back installation, as well as the flexibility to choose the installation height.
- Cameras, microphones, spotlights, webcams, can be fixed on a shelf, saving the trouble of buying multiple brackets!
- Forward or Backward Orientation: increased flexibility when mounting devices
- Space-Saving Design: free up and gain additional desktop work space
- Multiple Slots: for cameras, webcams, microphones, lighting and more
- Height Adjustment: satisfies user's different preference

**roline**<sup>®</sup>  
Designed for Professionals

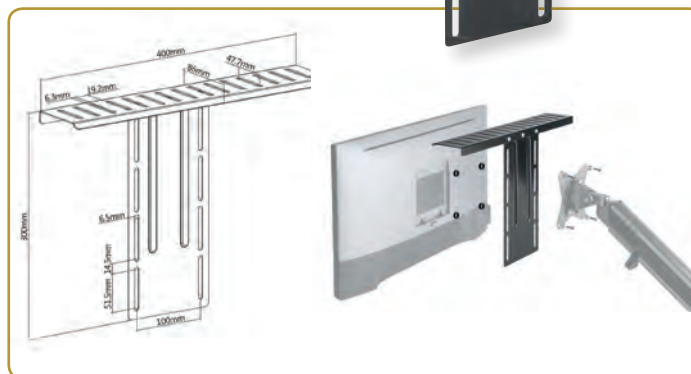


Order-No. – P.U.

ROLINE All-in-One VESA Compatible Device Shelf, black

17.03.0034 – 10

Material: Steel  
Surface Finish: Powder Coating  
Color: Matte Black  
Dimensions: 400 x 86 x 300mm  
VESA Compatible: 100 x 100  
Load Capacity (Total): < 3 kg

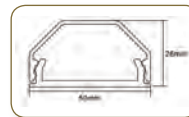
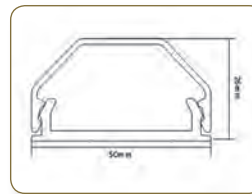


**ROLINE Cable Cover, Aluminium, 33 x 26mm / 50 x 26mm**

**ROLINE cable bridge made of lightweight, solid aluminium - with a large cable duct and intelligent folding mechanism for quick and easy adaptability.**

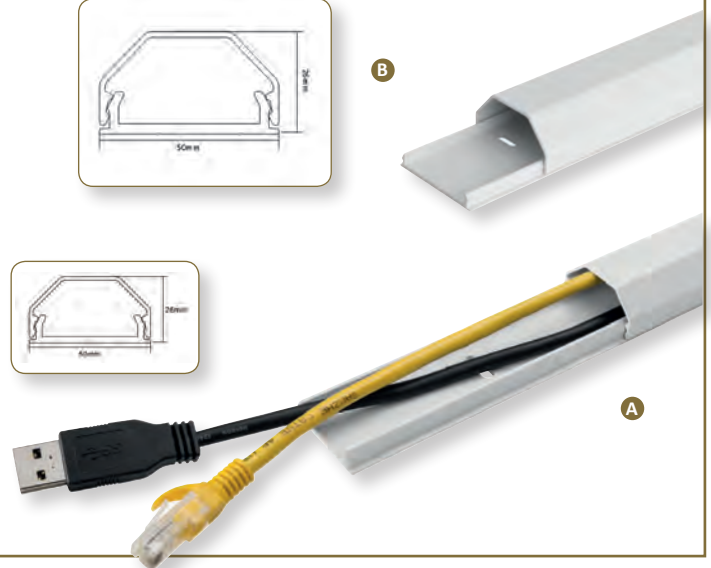
- Closed rail for cable routing on the wall
- Unobtrusive design, best suited for offices and private users
- Very stable, therefore also suitable as floor rail
- Large opening for power and data cables
- Two-piece construction: Lower part with screw holes and rounded cover panel
- Colour: white
- Material: Aluminium
- Content: 1x cable cover 33 / 50 x 1100 x 26 mm

**roline**<sup>®</sup>  
Designed for Professionals



B

A



Order-No. – P.U.

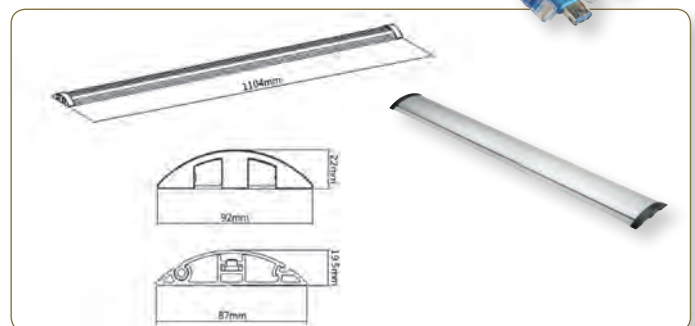
|  |                   |
|--|-------------------|
| ROLINE Cable Cover, Aluminium, 33x26mm, white, 1.1 m | A 19.08.3110 – 10 |
| ROLINE Cable Cover, Aluminium, 50x26mm, white, 1.1 m | B 19.08.3111 – 10 |

**ROLINE 2-Channel Aluminum Floor Cable Cover, 1104 x 139 / 92 mm**

**ROLINE cable bridge made of lightweight, solid aluminium - with two large cable ducts and intelligent folding mechanism for quick and easy adaptability.**

- For covering loose cables on the floor
- Two large cable ducts for the feed-through and separation of voltage and data cables
- Protects against tripping hazards
- Modern, unobtrusive design that is ideal for everyday office and industrial use
- Folding mechanism for quick and easy cable laying
- Openings with black plastic covers to protect against scratches
- Material: aluminium
- Dimensions (WxDxH): 139mm / 92mm x 1104 x 22mm
- Colour: silver

**roline**<sup>®</sup>  
Designed for Professionals



Order-No. – P.U.

|  |                |
|--|----------------|
| ROLINE 2-Channel Aluminum Floor Cable Cover, 1104 x 139 mm | 19.08.3106 – 4 |
| ROLINE 2-Channel Aluminum Floor Cable Cover, 1104 x 92 mm  | 19.08.3107 – 6 |

**VALUE Cable Box, small/ large**

- Suitable next to desktops, TV / multimedia systems, etc.
- For an organized desktop/office
- To hide tangled cables / power sockets
- Opening for cable exit on both sides
- Dustproof
- Easy to store
- White plastic box
- Dimensions:  
235 x 115 x 120 mm (small)  
407 x 157 x 133.5 mm (large)



**Value**<sup>®</sup>



Order-No. – P.U.

|                               |                  |
|-------------------------------|------------------|
| VALUE Cable Box, small, white | A 19.99.3236 – 8 |
| VALUE Cable Box, large, white | B 19.99.3237 – 4 |



### VALUE LCD/Plasma TV Wall Holder, Low Profile, for Samsung Q-Series™ (Q7™ / Q8™ / Q9™)



This wall mount allows a very discreet installation of a LCD/Plasma TV, perfect for e.g. a wooden wall.

- Weight capacity: up to 50 kg
- Screen Size: up to 165.1 cm
- Low profile- very small distance to wall, 17- 92 mm
- Integrated bubble level assures alignment and provides installation instructions
- Innovative quick-release mechanism allows for a quick and easy installation



Order-No. – P.U.

VALUE LCD/Plasma TV Wall Holder, Low Profile, for Samsung Q™ Series (Q7™ / Q8™ / Q9™)

17.99.1166 – 5

### ROLINE Digital Signage Stand



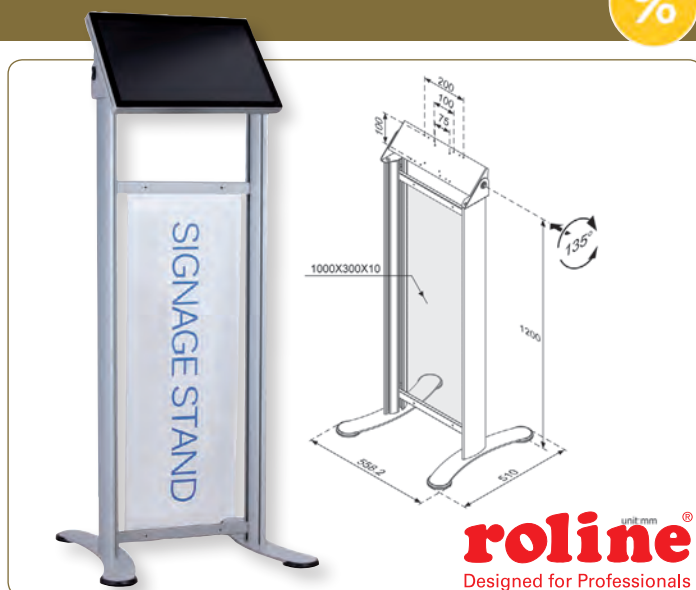
- How can a digital signage stand benefit your business? There are a lot of possibilities, and they can be used across a wide variety of settings including retail stores & trade shows. That enables users to take projects and presentations on the road with ease.
- Digital Signage stands turn a tablet into a versatile workstation or customer information center. Pre-load apps and software for customers to use that is tailored to your business.
- Designed with heavy duty extruded alloy
- Lock screw to set position if desired
- TFT Orientation: Vertical or Horizontal
- Suitable for Indoor Use Only
- Universal mount style fits various sizes of most displays with VESA max. 100x200 mm
- Max. Weight load capacity: 10kgs
- Colour: silver
- Additional advertising area max. 380 x max. 900 mm (height is individually adjustable)

REMARK: Display is NOT included

Order-No. – P.U.

ROLINE Digital Signage Stand, Advertising

17.03.1251 – 1

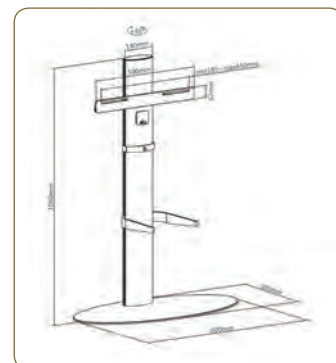


### ROLINE LCD/TV Floor Stand, up to 40kg



The silver stand made of sturdy, matt aluminium is ideal for a TV that is to be placed and aligned centrally in the room - ideal for presentation and meeting rooms, but also for home use. The shelf offers space for a game console, a BluRay player or a receiver.

- Silver aluminium TV stand
- Height adjustable TV mount between 900-1060mm
- Best possible cable management due to the aluminium body
- Sturdy base plate
- +/- 45° rotation for the best possible room orientation
- Supports max. VESA: 400x400
- Maximum screen size: 32"-55"
- Maximum load capacity: 40kg



Order-No. – P.U.

ROLINE LCD/TV Floor Stand, up to 40kg

17.03.1262 – 1

**roline** <sup>and mm</sup>  
Designed for Professionals



**ROLINE HDMI Ultra HD Cable + Ethernet, Active, Short Lengths**

**4K** **2160p**  
UHD-1

High-quality HDMI connection cable with HDMI connectors for optimal transmission of digital HDTV signals at data rates up to 18 Gbit/s (600MHz). For the transmission of films in digital cinema-quality, with a resolution of up to 3840x2160 @60Hz!

- Audio Return Channel- Allows an HDMI-connected TV with a built-in tuner to send audio data „upstream“ to a surround audio system, eliminating the need for a separate audio cable
- 3D- Defines input/output protocols for major 3D video formats
- Cable with HDMI male connector on both sides
- High quality cable with golden plated shell
- Gold plated contacts for higher durability



|  | Order-No.  | P.U. |
|--|------------|------|
| ROLINE HDMI Ultra HD Cable + Ethernet, active, M/M, black, 2 m | 11.04.5912 | - 15 |
| ROLINE HDMI Ultra HD Cable + Ethernet, active, M/M, black, 3 m | 11.04.5913 | - 15 |
| ROLINE HDMI Ultra HD Cable + Ethernet, active, M/M, black, 5 m | 11.04.5915 | - 10 |

**roline**<sup>®</sup>  
Designed for Professionals



**ROLINE Thunderbolt™ 3 Cable, 40Gbit/s, 100W, C-C**

**5K** **2880p**

Thunderbolt 3 cables with the USB Type C connector offer you the currently highest possible data transfer rate of up to 40Gbit/s (20Gbit/s for 1m and 2m) and full Power Delivery support (PD up to 20V 5A / 100W)! The cables also feature DP mode for particularly high-resolution image and sound transmission of up to 5120x2880 @60Hz (5K).

- Thunderbolt protocols allow maximum data transfer rates of up to 40Gbit/s (20Gbit/s for 1m and 2m)
- DP mode for connecting a monitor with USB Type C / Thunderbolt 3 connector, with a maximum resolution of 5120x2880 (5K)
- One of the best applications is to connect your Thunderbolt 3 cable with a Thunderbolt device like a corresponding MacBook and matching USB Type C monitor; If Thunderbolt 3 is supported, the full 5K resolution is possible (4K, 3840x2160 @60Hz with USB 3.1 support) and your device gets powered at the same time
- Supports USB Power Delivery up to 20V 5A / 100W, for powering your Macbook, Ultrabook or notebook/laptop
- High-quality cable with improved shielding
- With reversible USB type C connector at both ends
- Gold plated contacts for low wear at high mating cycles

Thunderbolt and the Thunderbolt logo are trademarks of Intel Corporation in the U.S. and/or other countries.

|   | Order-No.  | P.U. |
|---|------------|------|
| ROLINE Thunderbolt™ 3 Cable, 20G, 5A, M/M, black, 1 m | 11.02.9041 | - 10 |
| ROLINE Thunderbolt™ 3 Cable, 20G, 5A, M/M, black, 2 m | 11.02.9042 | - 10 |



**roline**<sup>®</sup>  
Designed for Professionals



**ROLINE USB Type 8 Pin - 3.5mm Audio Adapter, M/F**

First choice for your iPads/iPhones with Lightning jack, which are not equipped with a 3.5mm audio connector - to make calls/conferences or simply listen to music.

- The adapter cable converts the Lightning socket of your iPhone/iPad into a 3.5mm audio socket.
- Reversible design for the Lightning connector
- Stable signal transmission
- Flexible, durable cable, perfectly suited for mobile use
- Connector: 3,5mm socket and Lightning plug
- Cable length: approx. 13 cm



Made for iPhone | iPad | iPod



|  | Order-No.  | P.U. |
|--|------------|------|
| ROLINE USB Type 8 Pin - 3.5mm Audio Adapter, M/F, 0.13 m | 12.03.3214 | - 10 |

**roline**<sup>®</sup>  
Designed for Professionals



### ROLINE Notebook HDMI High Speed Cables + Ethernet



High quality HDMI High Speed Cable with Ethernet - offering even more HDTV features, with a resolution of up to 3840x2160 @30Hz!

- HDMI Ethernet Channel
- Audio Return Channel
- 3D- Defines input/output protocols for major 3D video formats
- Quality cable with improved shielding
- Colour: black
- Cable with extra compact HDMI male connector on both sides, perfectly suited for mobile applications, like e.g. for Ultrabooks/Notebooks



Order-No. – P.U.

ROLINE Notebook HDMI High Speed Cable + Ethernet, M/M, black, 1 m 11.04.5591 – 20

ROLINE Notebook HDMI High Speed Cable + Ethernet, M/M, black, 1.5 m 11.04.5596 – 20

ROLINE Notebook HDMI High Speed Cable + Ethernet, M/M, black, 2 m 11.04.5592 – 20



ROLINE Notebook HDMI High Speed Cable + Ethernet, M/M, black, 3 m 11.04.5593 – 20

ROLINE Notebook HDMI High Speed Cable + Ethernet, M/M, black, 5 m 11.04.5594 – 10

**roline**<sup>®</sup>  
Designed for Professionals

### ROLINE USB 2.0 Cables, A - Micro B (reversible)

High quality USB cable with one Type A and one reversible Micro USB connector.

- Improved shielding
- For the connection of devices with Micro USB connector; e.g. smartphones / mobile phones or digital cameras / DSLR
- Meets standard USB 2.0 (transfer rate up to 480 Mbit/s)



Micro B reversible

**roline**<sup>®</sup>  
Designed for Professionals

Order-No. – P.U.

ROLINE USB 2.0 Cable, A - Micro B (reversible), M/M, 3.0 m

11.02.8772 – 10

### VALUE USB Display Adapter, USB 3.0 to VGA

- Compliant with USB 3.0 specification revision 1.0
- Compliant to USB A/V standard
- USB upstream port supporting SuperSpeed/HighSpeed data rate (5 Gbit/s / 480Mbit/s)
- Video output up to 1920 x 1080 @ 60 Hz in USB 3.0 application
- Video output 800 x 600 in USB 2.0 application
- Plug & Play
- Contents: USB display adapter



Order-No. – P.U.

VALUE USB Display Adapter, USB3.0 to VGA

12.99.1037 – 10



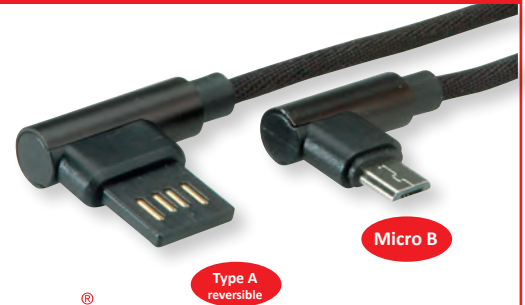




## ROLINE USB 2.0 Cables, A reversible - Micro B (90° angled)

To connect smartphones, Tablets, external hard drives (HDD/SSD) and other USB devices to your PC, laptop or charger with USB Micro B connection - both connectors are angled!

- Improved shielding
- For the connection of devices with Micro USB connector; e.g. smartphones / mobile phones or digital cameras / DSLR
- Meets standard USB 2.0 (transfer rate up to 480 Mbit/s)
- Special feature: 90° angled Micro B connector and reversible Type A connector
- Colour: black



**roline**  
Designed for Professionals

Order-No. – P.U.

ROLINE USB 2.0 Cable, A reversible - Micro B (90° angled), M/M, 0,8 m

11.02.8720 – 10

## VALUE USB 2.0 Notebook Hub, 4 Ports

- This hub can connect up to four USB devices
- Compact and nice design with attached USB cable
- Fully backwards compatible with USB 1.1
- Automatically switches to the highest speed supported by the connected device
- LED display for power and port-status
- Power is supplied by PC interface
- Contents: Hub, attached USB cable (3 cm)



**Technical data:**

PC connection: 1x USB type A (attached cable)  
 Input: 4x USB type A  
 Dimensions (WxDxH): 90 x 44 x 14 mm  
 Power supply (for 14.99.5016): 5 VDC, 2 A

Order-No. – P.U.

VALUE USB 2.0 Notebook Hub, 4 Ports

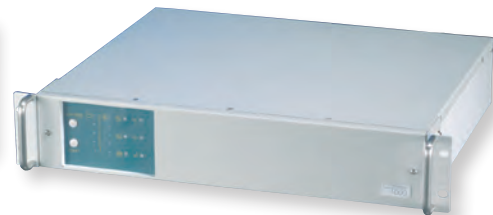
14.99.5015 – 20

## ROLINE LineSecure / LineSecure II – Line Interactive UPS

LineSecure UPS's work with the „buck & boost“ line interactive technology; used when reliable protection against strong voltage fluctuations is essential. Protect against: power failure, power sag, power surge, under voltage, over voltage.

**Product features:**

- Compact, quiet, user-friendly
- Desktop and 19" RM models
- Short circuit and overload protection
- AVR (Automatic Voltage Regulation)
- ABM (Automatic Battery Management) increases battery life up to 50%
- Telephone/Modem connections
- Shutdown software including License for 1 server
- Serial Port for advanced Power Management Software (incl. in content of delivery)
- UPS Management Software :  
 Windows NT/ 2k / XP / 7 / 8 / 10 / Server 2003 / 2008 / 2012 x86/x64, MAC OS X (Intel) 10.6.x, 10.7.x, 10.8.x Mountain Lion, 10.9.x Mavericks/MAC OS
- Contents: UPS, Software, Cable Set



**roline** ups

| Description                | Output (VA/W) | Backup time | Dimensions (HxWxD) | Weight | Internal cooling | Order-No.  | – P.U. |
|----------------------------|---------------|-------------|--------------------|--------|------------------|------------|--------|
| ROLINE LineSecure1500      | 1500 /960     | 3 min       | 226 x 170 x 450 mm | 6.9 kg | Active, fan      | 19.40.1115 | – 1    |
| ROLINE LineSecure 1000R    | 1000 / 670    | 3 min       | 84 x 483 x 430 mm  | 20 kg  | Active, fan      | 19.40.1111 | – 1    |
| ROLINE LineSecure 1500R    | 1500 / 960    | 3 min       | 130 x 483 x 381 mm | 25 kg  | Active, fan      | 19.40.1116 | – 1    |
| ROLINE LineSecure II 1500  | 1500 /960     | 3 min       | 226 x 170 x 450 mm | 6.9 kg | Active, fan      | 19.40.1117 | – 1    |
| ROLINE LineSecure II 2000  | 2000 /1300    | 3 min       | 226 x 170 x 450 mm | 30 kg  | Active, fan      | 19.40.1120 | – 1    |
| ROLINE LineSecure II 1000R | 1000 / 670    | 3 min       | 84 x 483 x 430 mm  | 20 kg  | Active, fan      | 19.40.1113 | – 1    |
| ROLINE LineSecure II 1500R | 1500 / 960    | 3 min       | 130 x 483 x 381 mm | 25 kg  | Active, fan      | 19.40.1119 | – 1    |
| ROLINE LineSecure II 2000R | 2000 / 1300   | 3 min       | 130 x 483 x 381 mm | 29 kg  | Active, fan      | 19.40.1121 | – 1    |

|  |   |
|--|---|
| <b>A</b>                                       |   |
| • Display (VGA, DVI, HDMI, DP).....            | 3.52 - 3.56, 5.03                                       |
| • Fiber Optic.....                             | 1.76 - 1.77   |
| • HDD/SSD/Storage.....                         | 3.65, 4.04 - 4.07                                       |
| • Keyboard/Mouse.....                          | 3.71  |
| • PCI, PCI-Express.....                        | 4.02 - 4.03   |
| • RS232/RS485.....                             | 3.75 - 3.76, 4.02                                       |
| • USB.....                                     | New.9, 1.02, 2.09 - 2.16, 3.04 - 3.22, 3.31 - 3.34      |
| • USB.....                                     | 3.52 - 3.56, 3.58 - 3.62, 5.02 - 5.03                   |
| AOC Fibre cables (USB, HDMI, DisplayPort)..... | 6.03, 6.05  |
| AT Modem/Printer Cables.....                   | 3.23  |
| Audio Converters / Extractors.....             | 6.23  |
| A/V Audio Video Modules.....                   | 6.23  |
| <b>B</b>                                       |   |
| Batteries for UPS.....                         | 7.02  |
| Blank Panels.....                              | 1.40 - 1.43, 1.46, 1.59 - 1.64, 1.75                    |
| Boxes for wall mount/flush mount.....          | 1.44  |
| <b>C</b>                                       |   |
| Cabinets 19".....                              | 1.80  |
| Cables.....                                    |   |
| • 9-pole / 25-pole.....                        | 3.23  |
| • Cinch.....                                   | 3.62 - 3.63   |
| • Cover/Tunnel.....                            | 8.10, 9.21, 10.15                                       |
| • DisplayPort.....                             | 3.36 - 3.42, 3.43 - 3.45, 6.05                          |
| • DVI.....                                     | 3.25 - 3.26, 3.48, 3.59                                 |
| • Fibre Optic.....                             | 1.66 - 1.74   |
| • Fibre Optic (USB, HDMI, DisplayPort).....    | 6.03, 6.05  |
| • FTP.....                                     | 1.15, 1.21, 1.24, 1.27 - 1.28, 1.30 - 1.31              |
| • HDMI (HD/UHD).....                           | 3.26 - 3.33, 3.50 - 3.51, 3.59, 6.02 - 6.03             |
| • Keyboard/Mouse.....                          | 3.24  |
| • Marker.....                                  | 1.40  |
| • Modem/Printer.....                           | 3.23  |
| • Power Connection/Extension/Supply.....       | 3.63 - 3.69, 7.16 - 7.18                                |
| • RJ-12.....                                   | 3.70  |
| • RS232.....                                   | 3.23, 3.72 - 3.73                                       |
| • SATA.....                                    | 3.64 - 3.66   |
| • S/FTP.....                                   | 1.16 - 1.19, 1.22, 1.25 - 1.28, 1.31 - 1.36             |
| • Thunderbolt.....                             | New.9, 3.42   |
| • Toslink.....                                 | 3.63  |
| • USB.....                                     | 3.04 - 3.22, 3.31 - 3.34, 3.46 - 3.47, 3.59             |
| • USB.....                                     | 3.73 - 3.75   |
| • UTP.....                                     | 1.18 - 1.20, 1.22, 1.23                                 |
| • UTP.....                                     | 1.25, 1.27 - 1.30, 1.35 - 1.36                          |
| • VGA.....                                     | 3.24  |
| Cable Cover.....                               | 8.10, 9.21, 10.15                                       |
| Cable Entry / Management.....                  | 1.58 - 1.62, 8.10, 9.21, 10.15                          |
| Cable Testers.....                             | 8.02 - 8.04   |
| Cable Ties/Clips.....                          | 8.09, 8.10  |
| Cards (Serial/Parallel, PCIe, USB).....        | 4.02 - 4.03   |
| Card Reader.....                               | 5.09, 5.11 - 5.13, 5.15                                 |
| Cases (SSD/HDD, Rack-Mounts).....              | 4.06 - 4.07   |
| Ceiling Mounts.....                            | 9.19  |
| Centronics Cables.....                         | 3.23  |
| Cleaning Products/Sets.....                    | 1.75, 8.07, 9.28  |
| COMPUTER CABLES, CONNECTORS, ADAPTERS.....     | 3.02 - 3.76   |
| Connector Casings.....                         | 3.70 - 3.71   |
| Connectors (D-Sub, Modular).....               | 3.70 - 3.71   |
| Converters.....                                |   |
| • Fast- / Gigabit Ethernet.....                | New.3, 1.02, 5.02                                       |
| • Parallel/Serial.....                         | 3.71 - 3.74   |
| • RJ-45/Fibre.....                             | 1.04 - 1.05   |
| • RS232/RS485.....                             | 1.11, 1.13, 3.71 - 3.74                                 |
| • USB - Audio.....                             | 3.61 - 3.62   |
| • USB - VGA/DVI/HDMI/DP.....                   | 3.52 - 3.56, 5.03                                       |
| • USB - SATA.....                              | 3.72 - 3.73   |
| • USB - Serial.....                            | 3.72 - 3.73   |
| Crimping Pliers/Tools.....                     | 8.05 - 8.06, 8.07                                       |
| Crossover Cables.....                          | 1.21  |
| <b>D</b>                                       |   |
| Design Secure UPS.....                         | 7.03  |
| Docking Station (SSD/HDD).....                 | 4.06 - 4.07   |
| Docking Station Notebook.....                  | New.9, 5.08 - 5.16                                      |
| Display Adapters / Cables.....                 | 3.24 - 3.61, 5.06 - 5.16                                |
| Display Adapters / Cables.....                 | 6.02 - 6.05, 6.09, 6.22                                 |
| DisplayPort.....                               |   |
| • Cables.....                                  | 3.32, 3.37 - 3.41, 3.43 - 3.45, 6.05                    |
| • Emulator.....                                | 6.22  |
| • Extender.....                                | 6.04  |
| • Switch / Splitter.....                       | 6.08, 6.20,   |
| Display Stands / Digital Signage.....          | 10.10   |
| DVI.....                                       |   |
| • Cables.....                                  | 3.24 - 3.26, 3.48                                       |
| <b>E</b>                                       |   |
| Earphones / Headsets.....                      | 6.22  |
| EMC Ferrite Cores.....                         | 3.70  |
| Enclosures SSD/HDD.....                        | 4.06 - 4.07   |
| Ethernet.....                                  |   |
| • Adapters.....                                | 1.02, 5.02  |
| • Converters.....                              | New.3, 1.04 - 1.05                                      |
| • Patch Cords.....                             | 1.20 - 1.39   |
| • Switches.....                                | 1.03 - 1.07, 1.09 - 1.12                                |
| EV Charging Cables.....                        | 7.04 - 7.05   |
| Extender HDMI.....                             | New.11 - New.12   |
| Extensions (USB).....                          | 3.09 - 3.13   |
| <b>F</b>                                       |   |
| Ferrite Cores.....                             | 3.70  |
| Field plugs.....                               | 1.38 - 1.39, 1.53                                       |
| Flat/Slim Patch Cables.....                    | 1.27 - 1.30   |
| FTP Cables.....                                | 1.21, 1.24 - 1.25, 1.26 - 1.27, 1.31, 1.32 - 1.33, 1.34 |
| Fiber Optic Adapters.....                      | 1.76 - 1.77   |
| Fiber Optic Jumper Cables.....                 | 1.66 - 1.74   |
| Fiber Optic Accessories.....                   | 1.75 - 1.77, 8.04, 8.07                                 |
| <b>G</b>                                       |   |
| Gender Changers.....                           | 3.22, 3.70  |
| Gigabit Ethernet Switches.....                 | 1.03 - 1.04, 1.06 - 1.07, 1.10 - 1.14                   |
| <b>H</b>                                       |   |
| Hard Disk.....                                 |   |
| • Enclosures / Housings for SSD/HDD.....       | 4.06 - 4.07   |
| • Mounting Adapters.....                       | 4.08  |
| Headphones / Headsets.....                     | 6.22  |
| HDMI.....                                      |   |
| • Audio Extractor.....                         | 6.23  |
| • Cables.....                                  | 3.26 - 3.30, 3.31 - 3.33, 3.50 - 3.51, 6.02 - 6.03      |
| • Extender.....                                | 6.02 - 6.05, 6.09 - 6.15                                |
| • KVM.....                                     | 2.07 - 2.08   |
| • Switch/Splitter.....                         | 6.06 - 6.08, 6.16                                       |
| Holder for Tablets/Smartphones.....            | 5.17 - 5.19   |
| Hubs/Dockingstation USB.....                   | 1.02, 2.09 - 2.16, 3.09 - 3.13                          |
| Hubs/Dockingstation USB.....                   | 5.02, 5.04 - 5.16,                                      |
| <b>I</b>                                       |   |
| I/O Cards.....                                 | 4.02 - 4.03   |
| Industrial products.....                       | 1.07, 1.09 - 1.14, 4.09 - 4.10                          |
| <b>J</b>                                       |   |
| Jumper Cables.....                             | 1.66 - 1.74   |
| Junction Boxes.....                            | 1.54  |
| <b>K</b>                                       |   |
| Keyboard Adapters / Cables.....                | 3.24, 3.71  |
| KVM.....                                       |   |
| • Consoles.....                                | 1.79, 2.02  |
| • Extender.....                                | 2.05 - 2.08   |
| • Switch.....                                  | 2.02 - 2.06   |
| Keystone Jacks / Couplers.....                 | 1.45 - 1.48, 1.50 - 1.51, 1.54 - 1.55                   |
| <b>L</b>                                       |   |
| LAN Cables.....                                | 1.15 - 1.17   |
| LCD Monitor Arms.....                          | 9.04 - 9.14   |
| LCD Consoles, KVM.....                         | 1.79, 2.02  |
| Line Secure.....                               | 7.02  |
| Line Interactive.....                          | 7.02 - 7.03   |
| Link Cables, Serial.....                       | 3.23  |

## M

|                             |                          |
|-----------------------------|--------------------------|
| Measuring Instruments ..... | 8.02 - 8.04              |
| Media Player Holder .....   | 10.14                    |
| Microphone Arm .....        | 9.24                     |
| MOBILE COMPUTING .....      | 5.02 - 5.20              |
| Mobile Racks HDD .....      | 4.05                     |
| Modem Cables .....          | 3.23                     |
| Modular                     |                          |
| • Connectors .....          | 1.51                     |
| • Couplers.....             | 1.51, 1.54 - 1.55        |
| Monitor                     |                          |
| • Adapter Plates .....      | 9.03                     |
| • Arms .....                | 9.04 - 9.14              |
| • Connection Cables .....   | 3.24 - 3.45, 6.02 - 6.05 |
| • Power Cables .....        | 3.67 - 3.71, 7.16 - 7.18 |
| • Stands .....              | 9.22 - 9.23              |
| Module Frames .....         | 1.46                     |
| Mouse / Mouse Pads.....     | 4.08, 9.02               |
| MPO Cabling System .....    | 1.78                     |
| MULTIMEDIA .....            | 6.02 - 6.24              |

## N

|                                  |                               |
|----------------------------------|-------------------------------|
| NETWORK COMPONENTS/CABLES .....  | 1.02 - 1.80                   |
| NewsShop.....                    | New.2 - New14                 |
| Network                          |                               |
| • Blank Panels.....              | 1.46, 1.50, 1.59 - 1.64, 1.75 |
| • Cabinets.....                  | 1.80                          |
| • Cable Entry / Management ..... | 1.58 - 1.62                   |
| • Cable Testers.....             | 8.02 - 8.04                   |
| • Switches.....                  | 1.03 - 1.07, 1.10 - 1.14      |
| • Tools .....                    | 8.02 - 8.07                   |

## O

|                                      |             |
|--------------------------------------|-------------|
| OFFICE EQUIPMENT / CONSUMABLES ..... | 9.02 - 9.28 |
| Optical Fiber Patch Cables .....     | 1.66 - 1.74 |
| Organizer Under Desk .....           | 9.20 - 9.21 |
| Outdoor Cables.....                  | 1.32        |

## P

|                           |                           |
|---------------------------|---------------------------|
| Parallel                  |                           |
| • Cables .....            | 3.23                      |
| • I/O Cards.....          | 4.02                      |
| Patch                     |                           |
| • Panels .....            | 1.40 - 1.45               |
| • Cables / Cords.....     | 1.20 - 1.39               |
| PC .....                  |                           |
| • Carts .....             | 9.15 - 9.16               |
| • Stands / Holders .....  | 9.17 - 9.18               |
| PDU's .....               | 7.13 - 7.15               |
| PERIPHERAL DEVICES.....   | 4.02 - 4.10               |
| Pegboard .....            | 9.24                      |
| PoE                       |                           |
| • Injectors.....          | 1.07 - 1.09               |
| • Splitters.....          | 1.09                      |
| • Switches.....           | 1.03 - 1.07               |
| Port Blocker USB.....     | 3.07 - 3.08               |
| Power                     |                           |
| • Cables .....            | 3.66 - 3.69, 7.16 - 7.18, |
| • Chargers.....           | New.13, 5.20, 7.10 - 7.12 |
| • Cables Accessories..... | 9.21                      |
| Printer                   |                           |
| • Cables .....            | 3.23                      |
| • Switches.....           | 2.09                      |
| • Tables.....             | 9.25 - 9.26               |
| Power Strips .....        | 7.06 - 7.09               |
| Projector Mounts .....    | 9.19                      |
| Pro Secure UPS .....      | 7.03                      |

## R

|   |                   |
|---|-------------------|
| Rails (Slide) .....                     | 1.56              |
| RS232                                   |                   |
| • Adapters/Converters .....             | 3.73 - 3.76, 4.02 |
| • Cables .....                          | 3.23, 3.73 - 3.76 |
| ROLINE Green products.....              | 1.29, 3.31 - 3.34 |
| ROLINE Recycled Material products ..... | 1.30 - 1.31       |

## S

|  |   |
|--|---|
| SATA Cables .....                      | 3.58 - 3.60                                 |
| Security Locks .....                   | 5.17  |
| Serial Cables .....                    | 3.20  |
| Serial Cards .....                     | 4.02  |
| Service Kits .....                     | 8.03 - 8.05, 8.08 - 8.09                    |
| Shelf for Cabinets .....               | 1.51  |
| S/FTP Cables .....                     | 1.16 - 1.19, 1.21, 1.24 - 1.26, 1.30 - 1.35 |
| Splitter (Video) .....                 | 6.10 - 6.12                                 |
| SWITCHBOXES / HUBS .....               | 2.02 - 2.14                                 |
| Switches                               |   |
| • Fast Ethernet/Gigabit Ethernet ..... | 1.03 - 1.07, 1.10 - 1.12                    |
| • HDMI/DisplayPort.....                | 6.12 - 6.16                                 |
| SellOff .....                          | A.01 - A.03                                 |

## T

|                                       |                                |
|---------------------------------------|--------------------------------|
| Tablet Stand.....                     | 5.17 - 5.18                    |
| TEST, MEASUREMENT, TOOLS.....         | 8.02 - 8.10                    |
| • Thunderbolt 4 and 5.....            | New.9, 3.42                    |
| • Twisted Pair Cables - Overview..... | 1.18 - 1.19                    |
| • Tool Kits .....                     | 8.03 - 8.05, 8.08 - 8.09       |
| TV HOLDERS / FURNITURES.....          | 10.02 - 10.16, New.13 - New.14 |

## U

|   |   |
|---|---|
| Universal Power Adapter.....              | 7.09  |
| UPS SYSTEMS / POWER DISTRIBUTION .....    | 7.02 - 7.18   |
| UPS .....                                 | 7.02 - 7.03   |
| USB                                       |   |
| • Adapters (Audio, Ethernet, Serial)..... | 1.02, 3.58 - 3.61, 5.02, 5.03                           |
| • Cables .....                            | New.3, 3.04 - 3.22, 3.31, 3.34                          |
| • Card Reader .....                       | 2.15, 5.08 - 5.09, 5.11, 5.13 - 5.15                    |
| • Data Blocker .....                      | 3.07 - 3.08   |
| • Display Adapter/Dock.....               | 3.52 - 3.56, 5.06 - 5.15                                |
| • Display Cables.....                     | 3.59  |
| • Extender .....                          | 3.09 - 3.12   |
| • Gender Changer .....                    | 3.22, 3.70, 5.03  |
| • Hubs.....                               | 1.02, 2.09 - 2.16, 3.09 - 3.11, 5.02, 5.06 - 5.16       |
| • Charger .....                           | 5.20, 7.10 - 7.12, New.13                               |
| • Switches.....                           | 2.08  |
| Under Desk Mount Thin Clients .....       | 9.20  |
| UTP .....                                 | 1.18 - 1.20, 1.22, 1.23, 1.25, 1.27 - 1.30, 1.35 - 1.36 |

## V

|                         |             |
|-------------------------|-------------|
| VGA                     |             |
| • Cables .....          | 3.24        |
| • Switch/Splitter ..... | 6.06        |
| Video                   |             |
| • Extender .....        | 6.02 - 6.13 |
| • A/V Modules.....      | 6.24        |
| • Splitters.....        | 6.09 - 6.13 |
| • Switches.....         | 6.09 - 6.13 |
| VESA Adapter .....      | 9.03        |

## W

|  |                                  |
|--|----------------------------------|
| Wall Mounts .....                      | 9.03 - 9.09, 9.15, 10.02 - 10.09 |
| Wall Mount Boxes .....                 | 1.45                             |
| Wall Mount Cabinets .....              | 1.80                             |
| Wrist Rests.....                       | 9.02                             |
| Wireless HDMI Audio/Video System ..... | 6.09 - 6.10                      |
| Wireless Charger .....                 | 5.19                             |
| Workstation .....                      | 9.15 - 9.17, 9.23 - 9.27         |
| Workstation Monitor Arm .....          | 9.03                             |

## Y

|                       |      |
|-----------------------|------|
| Y- Power Cables ..... | 7.16 |
|-----------------------|------|



|            |       |            |       |            |       |            |       |            |       |              |       |            |       |            |       |            |       |            |       |
|------------|-------|------------|-------|------------|-------|------------|-------|------------|-------|--------------|-------|------------|-------|------------|-------|------------|-------|------------|-------|
| 11.01.1xxx | 03.23 | 11.04.5535 | 03.25 | 11.99.5531 | 03.27 | 12.03.310x | 03.54 | 12.99.9xxx | 03.22 | 14.99.5039   | 02.12 | 17.99.1235 | 09.08 | 19.99.3424 | 07.02 | 21.15.927x | 01.69 | 21.99.875x | 01.67 |
| 11.01.2xxx | 03.23 | 11.04.554x | 03.27 | 11.99.5532 | 03.25 | 12.03.311x | 03.54 | 13.01.1xxx | 08.03 | 14.99.5040   | 02.12 | 17.99.131x | 09.21 | 19.99.3426 | 07.02 | 21.15.926x | 01.69 | 21.99.876x | 01.67 |
| 11.01.4xxx | 03.23 | 11.04.5552 | 03.26 | 11.99.5534 | 03.26 | 12.03.312x | 03.54 | 13.01.3262 | 08.03 | 14.99.5041   | 02.15 | 17.99.132x | 10.11 | 19.99.3428 | 07.02 | 21.15.928x | 01.70 | 21.99.877x | 01.67 |
| 11.01.56xx | 03.24 | 11.04.5553 | 03.26 | 11.99.5535 | 03.25 | 12.03.313x | 03.54 | 13.01.3263 | 08.04 | 14.99.5047   | 02.11 | 17.99.134x | 09.23 | 19.99.5xxx | 08.02 | 21.15.947x | 01.73 | 21.99.882x | 01.66 |
| 11.01.58xx | 03.24 | 11.04.5555 | 03.25 | 11.99.5536 | 03.26 | 12.03.314x | 03.54 | 13.01.3264 | 08.04 | 15.06.2142   | 04.03 | 17.99.1500 | 09.17 | 21.13.10xx | 01.05 | 21.15.948x | 01.74 | 21.99.883x | 01.67 |
| 11.01.59xx | 03.23 | 11.04.5556 | 03.25 | 11.99.5537 | 03.26 | 12.03.3151 | 03.54 | 13.01.3266 | 08.04 | 15.06.2143   | 04.04 | 17.99.1501 | 09.18 | 21.13.1131 | 01.04 | 21.15.949x | 01.73 | 21.99.88xx | 01.65 |
| 11.01.60xx | 03.23 | 11.04.5560 | 03.50 | 11.99.554x | 03.27 | 12.03.3152 | 03.54 | 13.01.3267 | 08.03 | 15.06.2146   | 04.04 | 17.99.1502 | 09.18 | 21.13.1132 | 01.14 | 21.15.950x | 01.74 | 25.99.524x | 08.09 |
| 11.01.62xx | 03.23 | 11.04.5561 | 03.50 | 11.99.5541 | 03.25 | 12.03.3153 | 03.49 | 13.01.3268 | 08.03 | 15.06.2148   | 04.04 | 18.01.1xxx | 04.08 | 21.13.1133 | 01.14 | 21.17.000x | 01.76 | 25.99.5250 | 08.09 |
| 11.01.63xx | 03.24 | 11.04.5562 | 03.50 | 11.99.5552 | 03.25 | 12.03.3154 | 03.49 | 13.01.3270 | 08.03 | 15.06.219x   | 04.03 | 18.01.2xxx | 09.02 | 21.13.1134 | 01.11 | 21.17.000x | 01.77 | 25.99.5251 | 08.09 |
| 11.01.66xx | 03.24 | 11.04.5563 | 03.50 | 11.99.5555 | 03.25 | 12.03.3155 | 03.49 | 13.01.3271 | 08.03 | 15.08.1xxx   | 04.05 | 18.02.1xxx | 09.02 | 21.13.1135 | 01.13 | 21.17.0050 | 01.77 | 25.99.5252 | 08.09 |
| 11.01.90xx | 03.23 | 11.04.5564 | 03.50 | 11.99.5556 | 03.25 | 12.03.3158 | 03.57 | 13.01.3272 | 08.03 | 15.09.1xxx   | 06.22 | 18.04.0xxx | 09.28 | 21.13.1136 | 01.12 | 21.17.0051 | 01.76 | 25.99.5253 | 08.09 |
| 11.02.8307 | 03.06 | 11.04.5565 | 03.50 | 11.99.5557 | 03.26 | 12.03.3160 | 03.54 | 13.01.3273 | 08.03 | 15.99.2xxx   | 04.02 | 19.06.100x | 08.09 | 21.13.1137 | 01.12 | 21.17.0052 | 01.76 | 25.99.5254 | 08.09 |
| 11.02.8308 | 03.18 | 11.04.5566 | 03.50 | 11.99.5558 | 03.26 | 12.03.3161 | 03.54 | 13.01.3274 | 08.03 | 16.01.3xxx   | 04.08 | 19.06.1020 | 08.05 | 21.13.1138 | 01.13 | 21.17.0053 | 01.76 | 25.99.5255 | 01.40 |
| 11.02.8310 | 03.04 | 11.04.5568 | 03.28 | 11.99.556x | 03.25 | 12.03.3163 | 03.54 | 13.01.3275 | 08.03 | 16.01.412x   | 04.05 | 19.06.1021 | 08.06 | 21.13.1140 | 01.11 | 21.17.0054 | 01.76 | 25.99.5256 | 01.40 |
| 11.02.8311 | 03.06 | 11.04.557x | 03.26 | 11.99.557x | 03.27 | 12.03.3164 | 03.57 | 13.01.3276 | 08.04 | 16.01.4145   | 03.65 | 19.06.1029 | 08.06 | 21.13.1141 | 01.11 | 21.17.0055 | 01.76 | 25.99.8200 | 06.24 |
| 11.02.8317 | 03.05 | 11.04.558x | 03.28 | 11.99.5580 | 03.27 | 12.03.3165 | 03.49 | 13.01.3277 | 08.04 | 16.01.4147   | 04.07 | 19.06.103x | 08.06 | 21.13.1142 | 01.11 | 21.17.0056 | 01.76 | 25.99.8201 | 06.24 |
| 11.02.8321 | 03.05 | 11.04.559x | 03.25 | 11.99.5581 | 03.27 | 12.03.317x | 03.49 | 13.01.3278 | 08.04 | 16.01.4148   | 04.07 | 19.06.104x | 08.06 | 21.13.1143 | 01.11 | 21.17.0057 | 01.76 | 25.99.8202 | 06.24 |
| 11.02.8322 | 03.05 | 11.04.5600 | 03.37 | 11.99.5584 | 03.28 | 12.03.319x | 03.56 | 13.01.328x | 08.04 | 16.01.4149   | 04.07 | 19.06.2031 | 08.09 | 21.13.1144 | 01.13 | 21.17.0058 | 01.76 | 25.99.8203 | 06.24 |
| 11.02.8329 | 03.05 | 11.04.561x | 03.30 | 11.99.5585 | 03.25 | 12.03.3205 | 03.56 | 13.01.3291 | 08.03 | 16.01.4151   | 04.05 | 19.06.2032 | 08.08 | 21.13.1137 | 01.11 | 21.17.0059 | 01.76 | 25.99.8204 | 06.24 |
| 11.02.8328 | 03.06 | 11.04.562x | 03.37 | 11.99.559x | 03.25 | 12.03.3209 | 03.61 | 13.01.3291 | 08.04 | 17.01.1085   | 09.26 | 19.06.2034 | 08.05 | 21.13.1149 | 01.12 | 21.17.006x | 01.76 | 25.99.8205 | 06.24 |
| 11.02.8329 | 03.05 | 11.04.5634 | 03.43 | 11.99.5601 | 03.37 | 12.03.3210 | 03.56 | 13.01.3292 | 08.03 | 17.01.1086   | 09.23 | 19.06.204x | 08.08 | 21.13.115x | 01.10 | 21.17.007x | 01.77 | 25.99.8207 | 01.45 |
| 11.02.8330 | 03.07 | 11.04.5635 | 03.43 | 11.99.5602 | 03.37 | 12.03.3211 | 03.56 | 13.01.334x | 08.03 | 17.01.1087   | 09.26 | 19.07.105x | 07.12 | 21.13.1161 | 01.10 | 21.17.008x | 01.77 | 25.99.8208 | 01.45 |
| 11.02.8331 | 03.07 | 11.04.5636 | 03.43 | 11.99.5603 | 03.37 | 12.03.3212 | 03.56 | 13.01.335x | 08.03 | 17.01.1089   | 09.26 | 19.07.106x | 07.06 | 21.13.1162 | 01.11 | 21.17.010x | 01.77 | 25.99.8209 | 01.45 |
| 11.02.8332 | 03.07 | 11.04.5637 | 03.43 | 11.99.5604 | 03.37 | 12.03.3215 | 03.60 | 13.01.3371 | 08.03 | 17.02.1545   | 09.25 | 19.07.107x | 07.06 | 21.13.1173 | 01.09 | 21.17.0320 | 01.48 | 25.99.821x | 01.45 |
| 11.02.8333 | 03.07 | 11.04.5638 | 03.43 | 11.99.5605 | 03.37 | 12.03.3216 | 03.61 | 13.01.3372 | 08.04 | 17.02.1547   | 09.26 | 19.07.160x | 07.07 | 21.13.1174 | 01.05 | 21.17.0323 | 01.53 | 25.99.84xx | 01.44 |
| 11.02.8334 | 03.07 | 11.04.5639 | 03.48 | 11.99.5608 | 03.44 | 12.03.3217 | 03.61 | 13.01.3377 | 08.04 | 17.02.1548   | 09.27 | 19.07.161x | 07.12 | 21.13.1175 | 01.09 | 21.17.0324 | 01.53 | 25.99.8790 | 08.05 |
| 11.02.8335 | 03.05 | 11.04.5640 | 03.43 | 11.99.5609 | 03.37 | 12.03.3218 | 03.61 | 13.01.3379 | 08.03 | 17.02.1549   | 09.27 | 19.07.162x | 07.14 | 21.13.1181 | 01.09 | 21.17.0325 | 01.53 | 25.99.8791 | 08.05 |
| 11.02.8336 | 03.06 | 11.04.5641 | 03.43 | 11.99.561x | 03.44 | 12.03.3220 | 03.56 | 13.01.338x | 08.02 | 17.02.3xxx   | 09.22 | 19.07.200x | 03.68 | 21.13.1188 | 01.08 | 21.17.0326 | 01.48 | 25.99.8792 | 08.06 |
| 11.02.8337 | 03.06 | 11.04.564x | 03.48 | 11.99.562x | 03.37 | 12.03.3221 | 03.56 | 13.03.00xx | 08.04 | 17.03.000x   | 09.09 | 19.07.230x | 07.08 | 21.13.1191 | 01.07 | 21.17.0327 | 01.48 | 25.99.8793 | 08.06 |
| 11.02.8338 | 03.06 | 11.04.5645 | 03.48 | 11.99.563x | 03.25 | 12.03.3222 | 03.56 | 13.03.00xx | 08.04 | 17.03.001x   | 09.09 | 19.07.230x | 07.08 | 21.13.1191 | 01.07 | 21.17.0327 | 01.48 | 25.99.8793 | 08.06 |
| 11.02.8339 | 03.08 | 11.04.5646 | 03.48 | 11.99.568x | 03.29 | 12.03.3224 | 03.58 | 13.99.3002 | 08.02 | 17.03.0113   | 09.20 | 19.08.000x | 07.04 | 21.13.1199 | 01.08 | 21.17.3002 | 01.54 | 25.99.8799 | 08.06 |
| 11.02.8340 | 03.21 | 11.04.5647 | 03.48 | 11.99.569x | 03.29 | 12.03.3225 | 03.56 | 13.99.3003 | 08.02 | 17.03.0114   | 09.20 | 19.08.001x | 07.04 | 21.13.1202 | 01.07 | 21.17.3004 | 01.51 | 26.11.02xx | 01.44 |
| 11.02.8341 | 03.21 | 11.04.5648 | 03.48 | 11.99.570x | 03.27 | 12.03.3226 | 03.58 | 13.99.3005 | 08.07 | 17.03.0115   | 09.20 | 19.08.002x | 07.04 | 21.13.1203 | 01.09 | 21.17.3006 | 01.51 | 26.11.030x | 01.41 |
| 11.02.8345 | 03.08 | 11.04.5649 | 03.48 | 11.99.571x | 03.27 | 12.03.3227 | 03.58 | 14.01.323x | 02.03 | 17.03.0116   | 09.23 | 19.08.003x | 07.05 | 21.13.13xx | 01.50 | 21.17.303x | 01.54 | 26.11.0310 | 01.41 |
| 11.02.8346 | 03.08 | 11.04.565x | 03.24 | 11.99.572x | 03.27 | 12.03.3228 | 03.58 | 14.01.324x | 02.05 | 17.03.0117   | 09.23 | 19.08.004x | 07.05 | 21.14.31xx | 01.04 | 21.17.304x | 01.54 | 26.11.0316 | 01.41 |
| 11.02.8347 | 03.08 | 11.04.566x | 03.24 | 11.99.573x | 03.27 | 12.03.323x | 03.58 | 14.01.322x | 02.04 | 17.03.10.100 | 09.03 | 19.08.005x | 07.05 | 21.14.3497 | 01.04 | 21.17.3060 | 01.52 | 26.11.032x | 01.41 |
| 11.02.8348 | 03.08 | 11.04.567x | 03.24 | 11.99.574x | 03.27 | 12.03.3240 | 03.60 | 14.01.336x | 02.08 | 17.03.1101   | 09.03 | 19.08.006x | 07.05 | 21.14.3498 | 01.04 | 21.17.3061 | 01.52 | 26.11.0337 | 01.41 |
| 11.02.8349 | 03.08 | 11.04.568x | 03.29 | 11.99.576x | 03.37 | 12.03.3241 | 03.62 | 14.01.3416 | 06.22 | 17.03.1103   | 09.03 | 19.08.009x | 07.04 | 21.14.3499 | 01.07 | 21.17.3062 | 01.52 | 26.11.0339 | 01.50 |
| 11.02.84xx | 03.21 | 11.04.569x | 03.51 | 11.99.577x | 03.45 | 12.03.7xxx | 03.71 | 14.01.3417 | 06.15 | 17.03.1106   | 09.03 | 19.08.010x | 07.05 | 21.14.350x | 01.05 | 21.17.3063 | 01.52 | 26.11.0340 | 01.50 |
| 11.02.87xx | 03.05 | 11.04.570x | 03.27 | 11.99.578x | 03.45 | 12.04.108x | 03.12 | 14.01.3426 | 02.04 | 17.03.1108   | 09.14 | 19.08.100x | 03.68 | 21.14.351x | 01.03 | 21.17.3065 | 01.54 | 26.11.0342 | 01.45 |
| 11.02.871x | 03.05 | 11.04.574x | 03.47 | 11.99.5790 | 03.45 | 12.04.107x | 03.12 | 14.01.3427 | 02.05 | 17.03.1109   | 09.14 | 19.08.101x | 03.68 | 21.14.352x | 01.03 | 21.17.3066 | 01.54 | 26.11.0343 | 01.45 |
| 11.02.873x | 03.04 | 11.04.576x | 03.37 | 11.99.5791 | 03.45 | 12.04.1085 | 02.10 | 14.01.344x | 06.23 | 17.03.111x   | 09.14 | 19.08.101x | 03.68 | 21.14.3523 | 01.03 | 21.17.3067 | 01.21 | 26.11.0347 | 01.41 |
| 11.02.875x | 03.04 | 11.04.5771 | 03.44 | 11.99.5792 | 03.45 | 12.04.1086 | 02.10 | 14.01.3451 | 06.02 | 17.03.1123   | 09.05 | 19.08.1012 | 03.68 | 21.14.3524 | 01.07 | 21.17.308x | 01.39 | 26.11.0349 | 01.41 |
| 11.02.876x | 03.04 | 11.04.5772 | 03.44 | 11.99.5793 | 03.45 | 12.04.1088 | 03.09 | 14.01.3452 | 06.02 | 17.03.1124   | 09.05 | 19.08.1013 | 03.68 | 21.14.353x | 01.03 | 21.17.3095 | 01.51 | 26.11.0351 | 01.40 |
| 11.02.877x | 03.06 | 11.04.5773 | 03.44 | 11.99.5795 | 03.45 | 12.04.1089 | 03.09 | 14.01.3455 | 06.02 | 17.03.1125   | 09.05 | 19.08.1014 | 03.67 | 21.15.0001 | 01.17 | 21.17.3096 | 01.51 | 26.11.0352 | 01.46 |
| 11.02.8802 | 03.46 | 11.04.5774 | 03.44 | 11.99.5796 | 03.45 | 12.04.109x | 03.11 | 14.01.3458 | 06.09 | 17.03.1126   | 09.05 | 19.08.1018 | 03.67 | 21.15.0002 | 01.17 | 21.17.3097 | 01.54 | 26.11.0353 | 01.46 |
| 11.02.8803 | 03.46 | 11.04.5775 | 03.44 | 11.99.5797 | 03.45 | 12.04.1010 | 03.11 | 14.01.3465 | 06.09 | 17.03.1127   | 09.19 | 19.08.1022 | 07.16 | 21.15.0003 | 01.17 | 21.17.31xx | 01.48 | 26.11.0355 | 01.42 |
| 11.02.8805 | 03.46 | 11.04.5776 | 03.45 | 11.99.5798 | 03.38 | 12.04.1101 | 03.11 | 14.01.3468 | 06.11 | 17.03.1128   | 09.19 | 19.08.1023 | 07.16 | 21.15.0004 | 01.17 | 21.14.4xxx | 01.29 | 26.11.0356 | 01.45 |
| 11.02.8808 | 03.04 | 11.04.5777 | 03.45 | 11.99.580x | 03.44 | 12.04.1012 | 03.11 | 14.01.3469 | 06.11 | 17.03.1129   | 09.19 | 19.08.1024 | 03    |            |       |            |       |            |       |

# General Conditions of Sale and Supply

## 1. General

1.1 A contract is considered to be concluded with a written quotation, an order confirmation or when the goods are despatched and invoiced by SECOMP International AG. By accepting the delivery, the customer agrees to the conditions of SECOMP International AG. Divergent conditions have to be stipulated in writing.

1.2 Orders shall only become binding upon SECOMP International AG after it has issued a written confirmation of order.

1.3 SECOMP International AG - reserves the right to amend typing errors/mistakes to price lists and technical data at any time.

## 2. Prices

Prices shall be deemed net plus V.A.T., transportation and packaging charges, provided that alternative conditions have not already been agreed. SECOMP International AG however hereby reserves the right to make price adjustments to cover definite increases in costs for example Goods and Material.

## 3. Delivery period

The delivery period shall be the date in the contract of sale and will be extended should difficulties arise that may have been caused by an act of god such as war, epidemics and among other things storm and tempest.

## 4. Despatch

All deliveries shall be effected for the account and the risk of the customer. Any complaints concerning damage, loss or delay are to be reported to SECOMP International AG within 8 days of the receipt of the consignment. But complaints concerning any faulty packaging shall be rendered on the same day as the receipt of the consignment.

## 5. Works deliveries

Should the consignment and invoicing be directly affected by the suppliers of SECOMP International AG, the condi-

tions of sale and supply of that particular supplier shall be valid for customers in respect of that particular contract. In such cases, these present conditions of sale and supply shall have no validity and damage indemnity claims or claims of any other nature cannot be made enforceable against SECOMP International AG hereunder.

## 6. Return of goods and materials

The return of goods and materials shall require the written permission of SECOMP International AG and may only be effected if the goods and materials are in re-sellable condition and still in their original packaging, and only then if such are usually maintained in stock by SECOMP International AG. A copy of the delivery note or the invoice must be enclosed. Returns without either a copy of the delivery note or the invoice will not be accepted. An appropriate surcharge will be applied by SECOMP International AG on the purchaser to defray the cost of any inconvenience caused.

## 7. Settlement

Invoices are to be settled within 30 days net without any deductions. Purchasers will be charged the usual bank overdraft rate of interest in respect of overdue payments.

## 8. Retention of ownership rights

All goods and materials supplied shall remain the property of SECOMP International AG until full payment of the debited invoice amount has been received.

## 9. Warranty

SECOMP International AG will grant a warranty for products for a period of 24 months for the ROLINE brand and 12 months for all others products from the date of delivery in respect of any evidenced faulty workmanship and materials. Should a delivered consignment prove to be contrary to contract upon inspection, the customer shall grant SECOMP International AG the opportunity hereunder of removing the fault or else the customer may demand replacement. Should the supply or delivery of any improvement or replacement

not prove possible, the customer may choose between having the purchase price reduced or in demanding the contract of sale to be rescinded (conversion).

Damage resulting from natural wear and tear, an act of God or non compliance with the operating instructions shall be excluded from the warranty as well as mechanical interference by the customer or by third parties with products of SECOMP International AG without its written permission. No liability will be accepted for defects, damage or injury caused due to installation not carried out in accordance with the manufacturer's installation instructions.

## 10. Data Protection

10.1 For a fast and correct handling of your order there will be saved data in our IT – system. The processing of the delivered data is done following the EU-GDPR and the tele-media law.

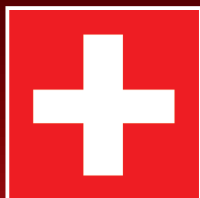
10.2 In the scope of the credit check and the credit monitoring we are exchanging data with a credit agency.

## 11. Cancellation

Cancellation of orders shall only be possible hereunder with the written approval of SECOMP International AG. Any costs which have already been incurred or price increases as a result of reduction in amounts ordered shall be for the account of the purchaser. Partial supplies of an order contracted upon call shall be claimed within the agreed supply and delivery periods otherwise SECOMP International AG may cause the relative consignment and invoice billing therefore to be made.

## 12. Place of jurisdiction

The place of jurisdiction shall be Zürich. Legal relationship hereunder shall be subject to Swiss Law.



## SECOMP International AG

Grindelstrasse 6  
8303 Bassersdorf  
Switzerland

PHONE +41 44 511 87 62  
FAX +41 44 511 87 07  
E-MAIL [info@secomp-international.com](mailto:info@secomp-international.com)

[www.secomp-international.com](http://www.secomp-international.com)



## WAREHOUSE

### SECOMP International

Einsteinstrasse 17 - 23  
76275 Ettlingen  
Germany



## SECOMP Germany

Einsteinstrasse 17 - 23  
76275 Ettlingen  
Germany

PHONE +49 7243 383 111  
FAX +49 7243 383 222  
E-MAIL [info@secomp.de](mailto:info@secomp.de)

[www.secomp.de](http://www.secomp.de)



## SECOMP Switzerland

Grindelstrasse 6  
8303 Bassersdorf  
Switzerland

PHONE +41 44 511 87 00  
FAX +41 44 511 87 05  
E-MAIL [info@secomp.ch](mailto:info@secomp.ch)

[www.secomp.ch](http://www.secomp.ch)



## SECOMP France

Allée des Sarments, Bâtiment F - Lot 9  
77183 Croissy Beaubourg  
France

PHONE +33 164 80 92 30  
FAX +33 164 80 92 40  
E-MAIL [info@secomp.fr](mailto:info@secomp.fr)

[www.secomp.fr](http://www.secomp.fr)



## SECOMP Netherlands

Christiaan Huygensweg 38 H  
3225 LD Hellevoetsluis  
Netherlands

PHONE +31 181 390 030  
E-MAIL [info@secomp.nl](mailto:info@secomp.nl)

[www.secomp.nl](http://www.secomp.nl)



## SECOMP Czechia

IMPERA PARK, Budova H, Oderská 333/5  
196 00 Praha 9  
Czech Republic

PHONE +420 281 861 849  
FAX +420 281 862 729  
E-MAIL [info@secomp.cz](mailto:info@secomp.cz)

[www.secomp.cz](http://www.secomp.cz)